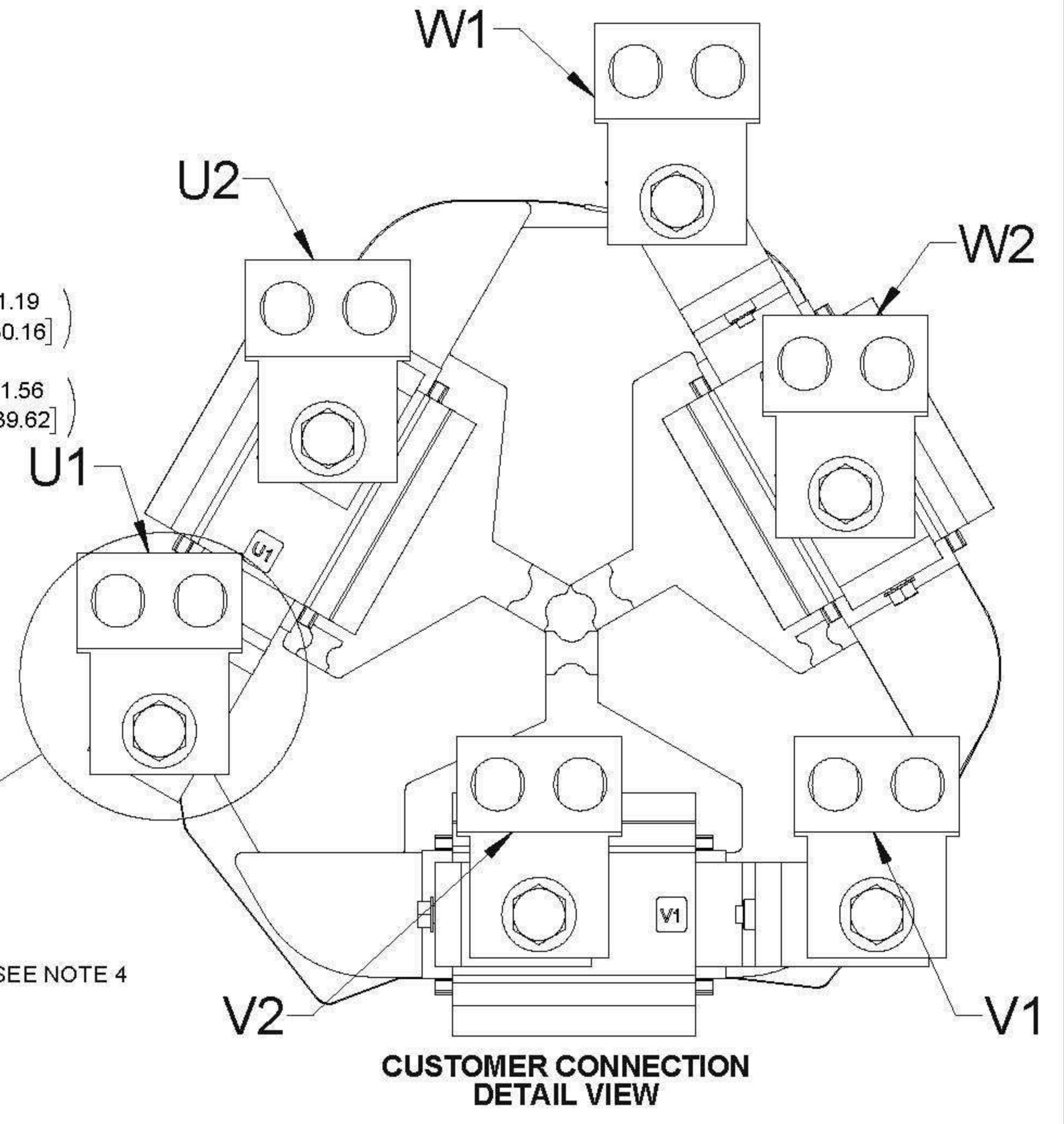
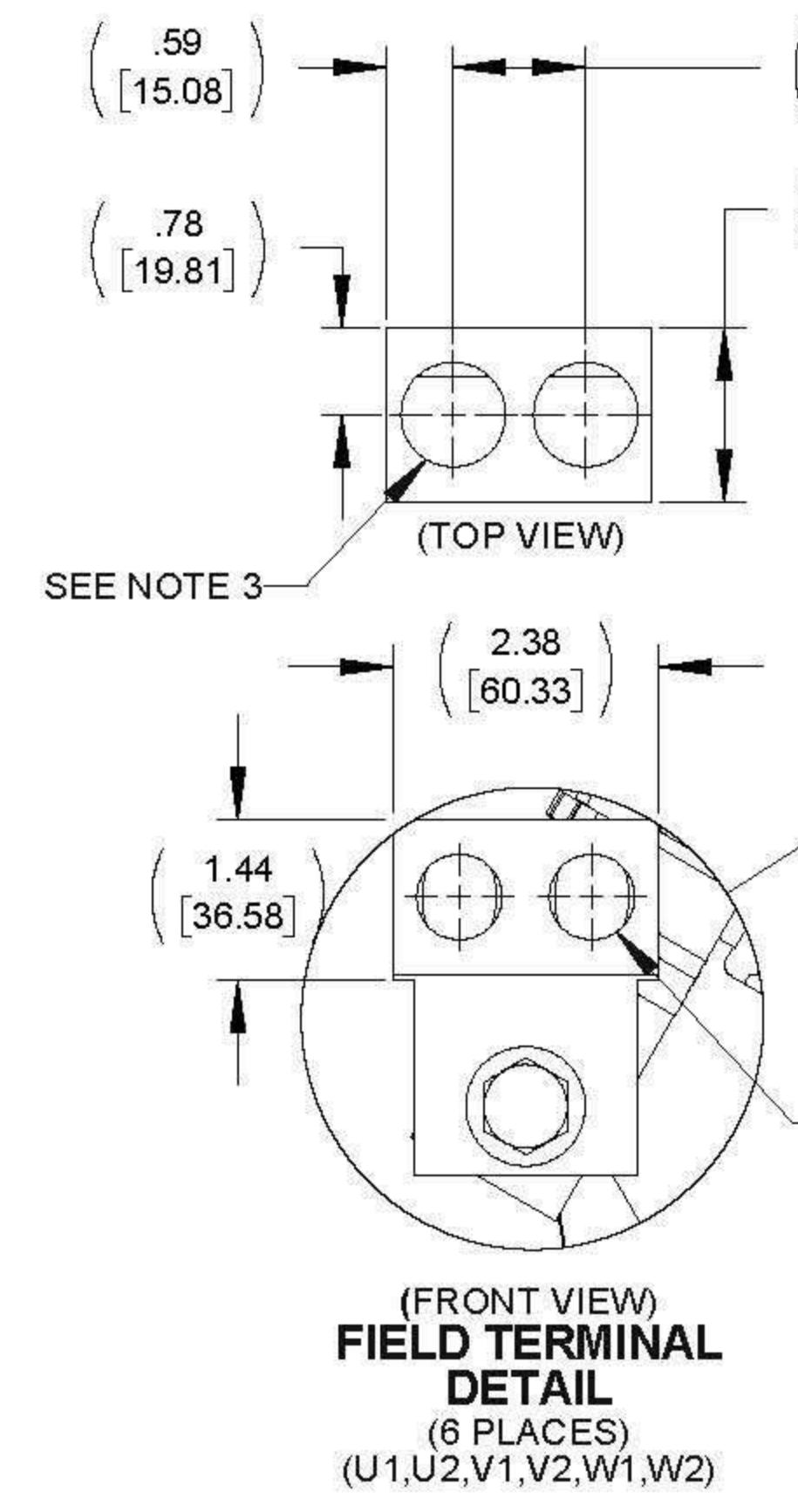
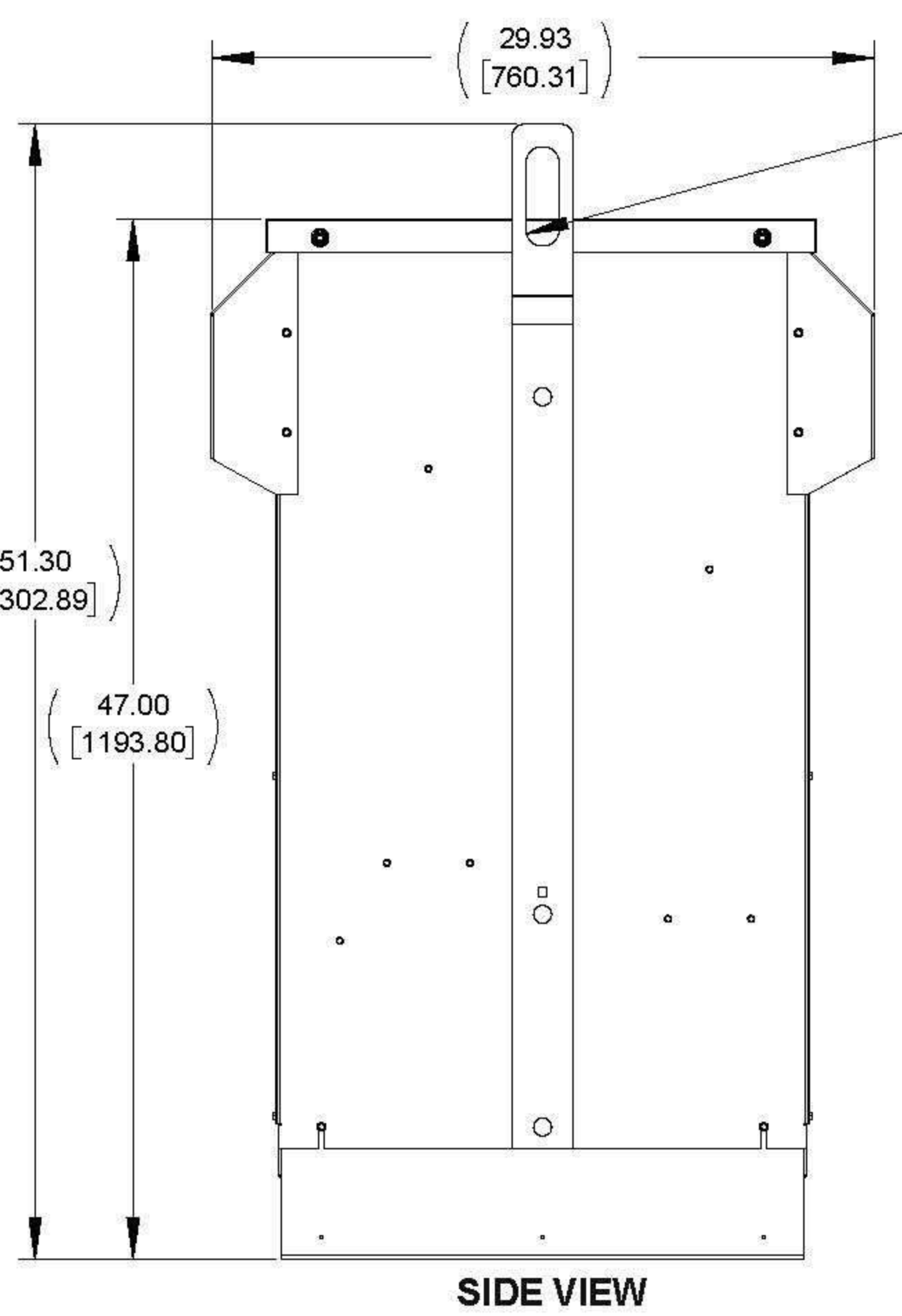
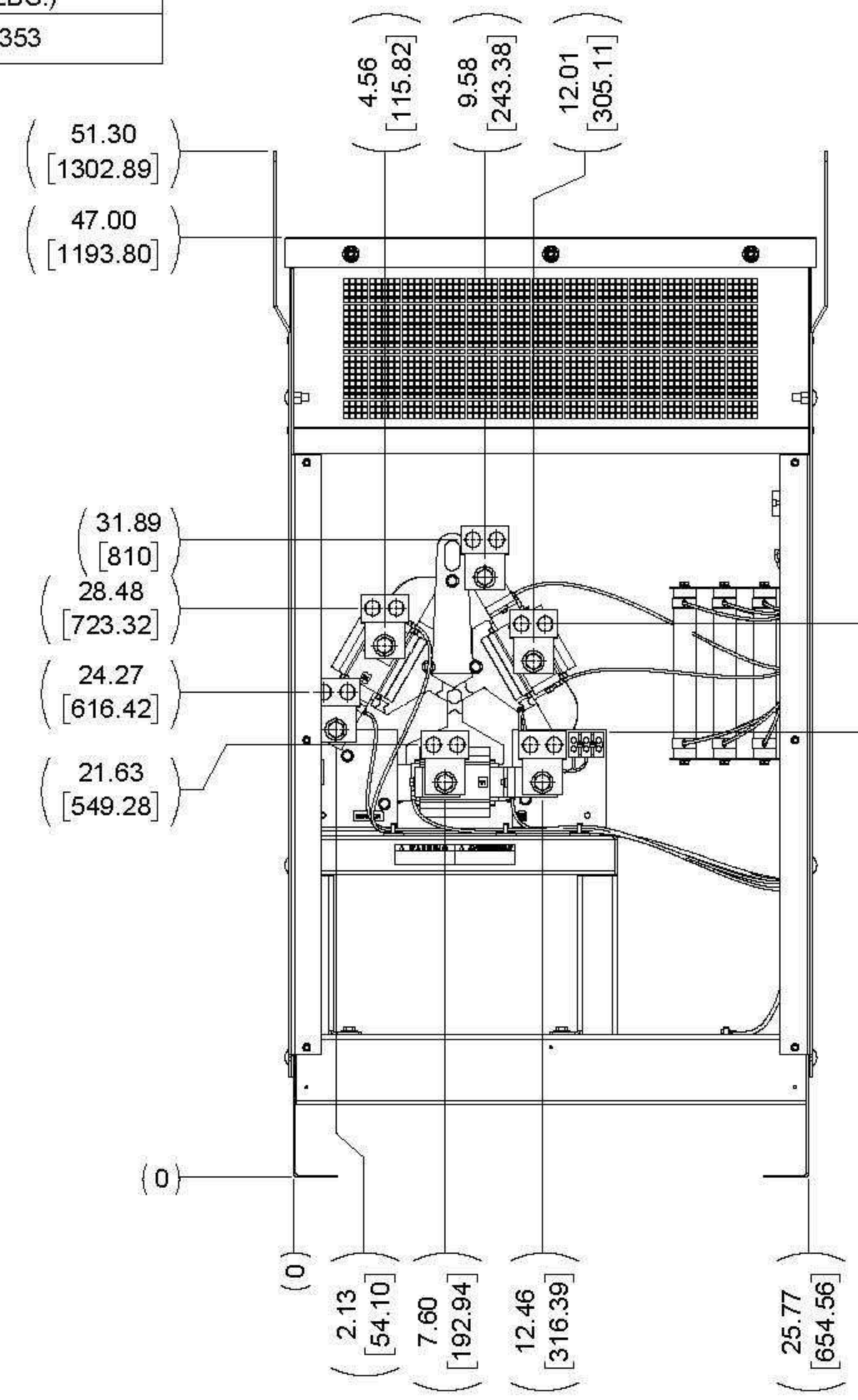
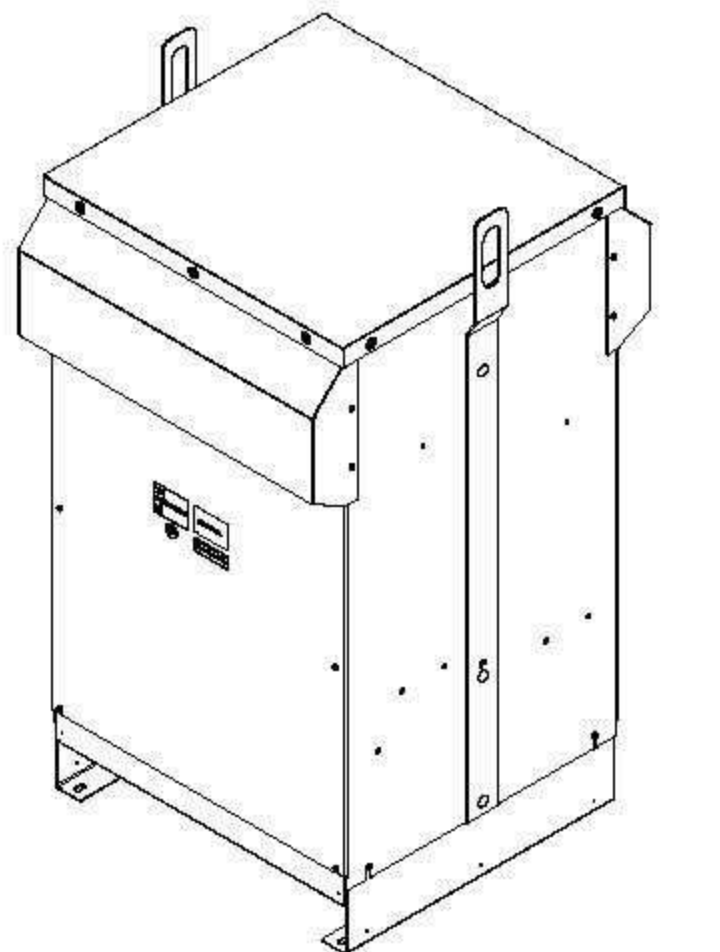
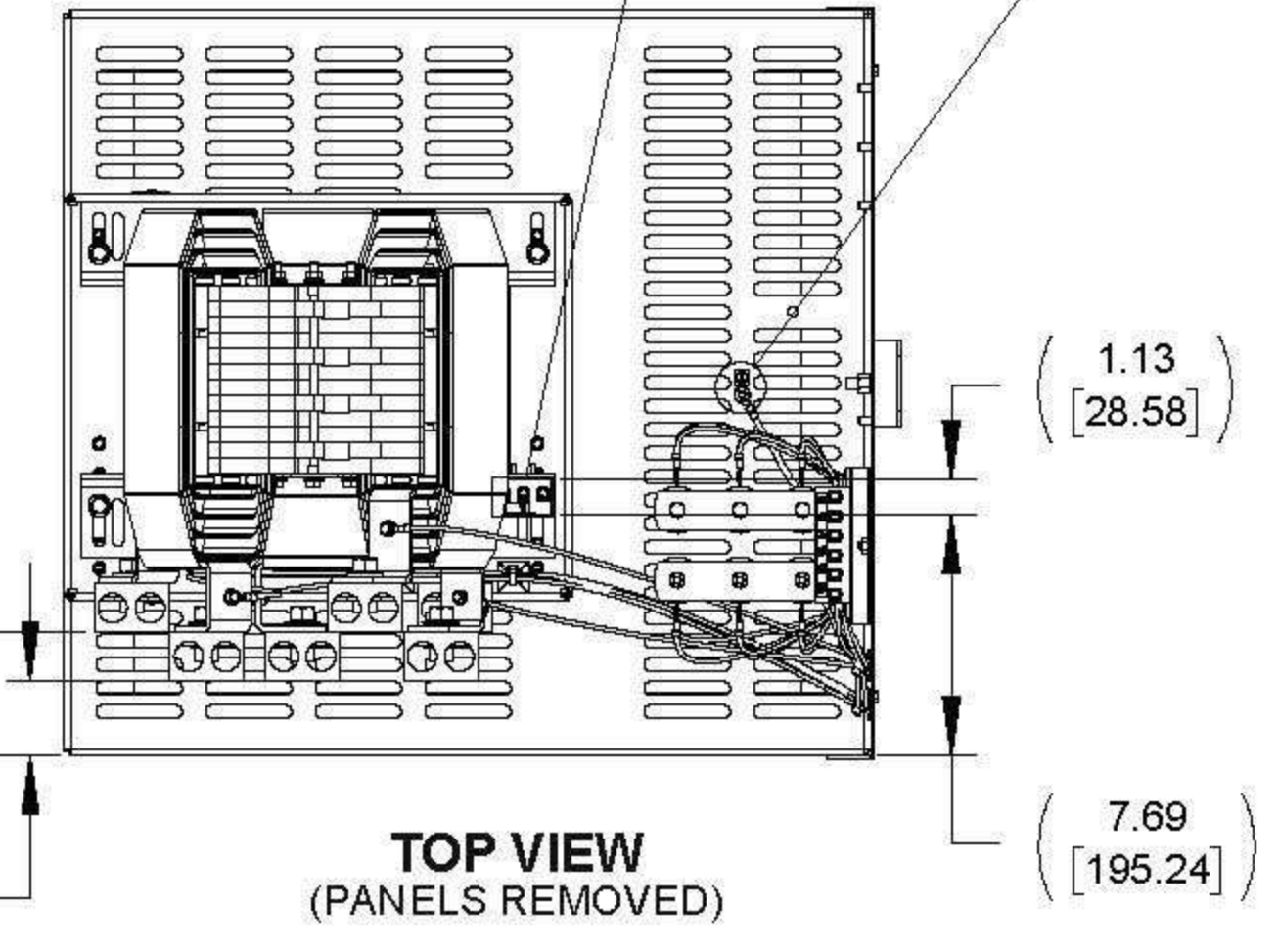
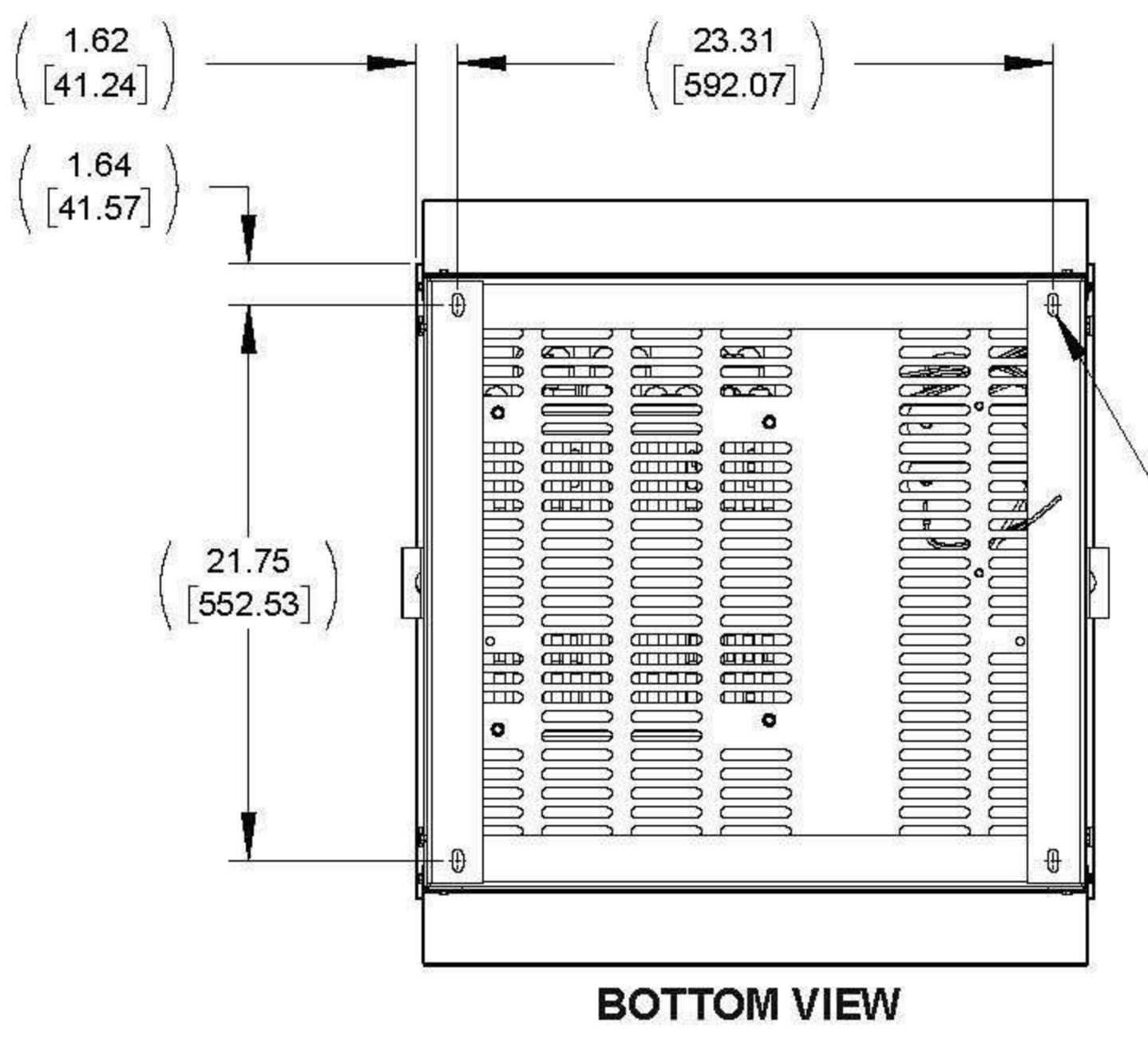
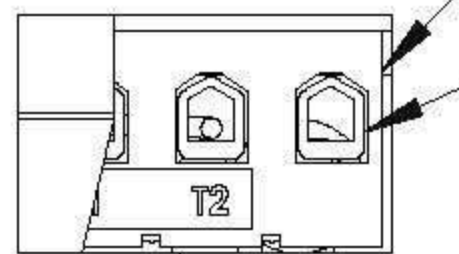


APPROX. WEIGHT (LBS.)  
353

ECO No	DESCRIPTION	REV BY	DATE
M9796	UPDATED NOTES	JT	03/15/16



CUSTOMER THERMAL CONNECTION



NOTES:

1. WIRE RANGE: 4 - 18 AWG
2. TERMINAL SCREW TIGHTENING TORQUE: 16 IN/LBS, MAX.
3. WIRE RANGE: 4AWG-600kcmil
4. TERMINAL SCREW TIGHTENING TORQUE: 500 IN/LBS, MAX.

THE COMPONENT, PART OR ASSEMBLY DESCRIBED IN THIS DOCUMENT MUST COMPLY WITH THE EU (EUROPEAN UNION) DIRECTIVE RoHS2		MATERIAL		CONFIDENTIAL AND PROPRIETARY INFORMATION THIS DOCUMENT CONTAINS CONFIDENTIAL AND PROPRIETARY INFORMATION OF MTE CORPORATION AND MAY NOT BE USED, COPIED OR DISCLOSED TO OTHERS EXCEPT WITH THE AUTHORIZED WRITTEN PERMISSION OF MTE CORPORATION	
CONTAINS <0.1% OF ANY SVHC BY WEIGHT PER REACH REGULATION				DESCRIPTION	
UNLESS OTHERWISE SPECIFIED DIMENSIONS ARE IN INCHES (MM) TOLERANCES ARE:		DRAWN JT		DATE 07/31/14	
ANGLES: ± 1°		CHECKED TM		DATE 03/22/16	
1 PLACE .X: ± .1 [2.5]		APPROVED TM		DATE 03/22/16	
2 PLACE .XX: ± .03 [0.76]				SIZE D	
3 PLACE .XXX: ± .010 [0.254]		MTE AN BLVD POWER ELECTRONICS COMPANY		DWG No. CD DVSW0600E	
		N83 W13330 Leon Road Menomonee Falls, WI 53051 USA 800.455.4693 262.253.8200		REV 03	
				SCALE 1:6	
				SHEET 1 OF 1	