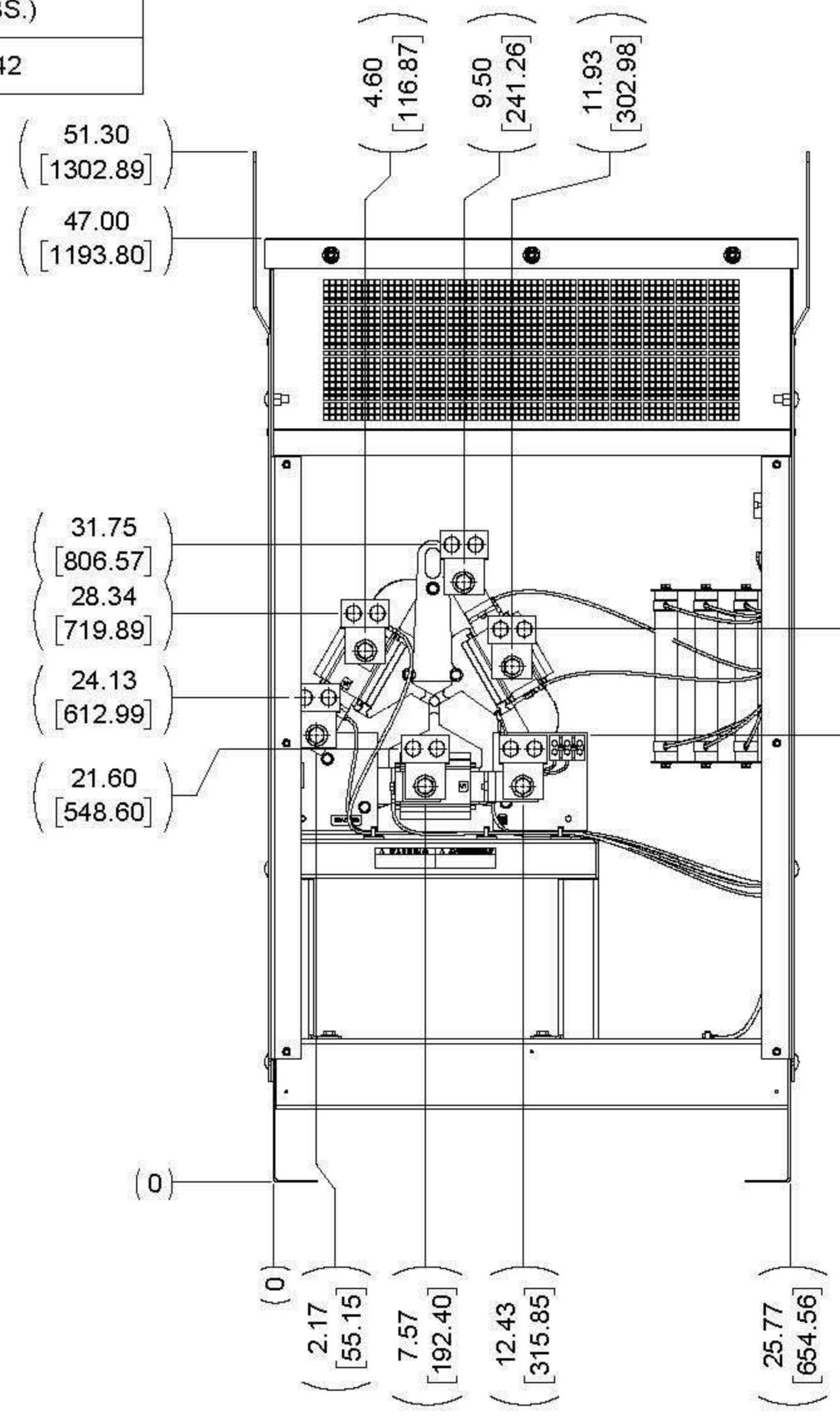
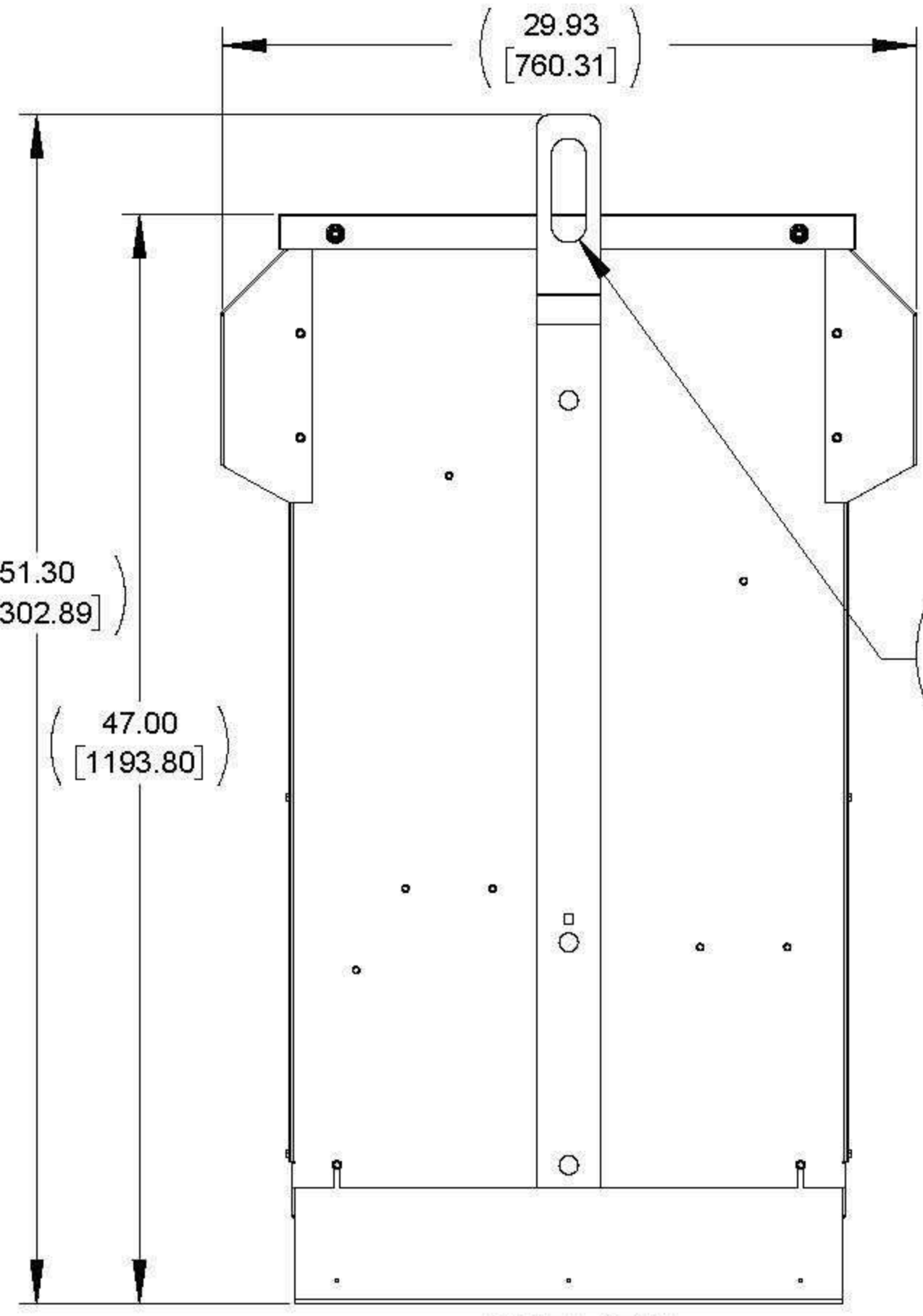


APPROX. WEIGHT (LBS.)  
342

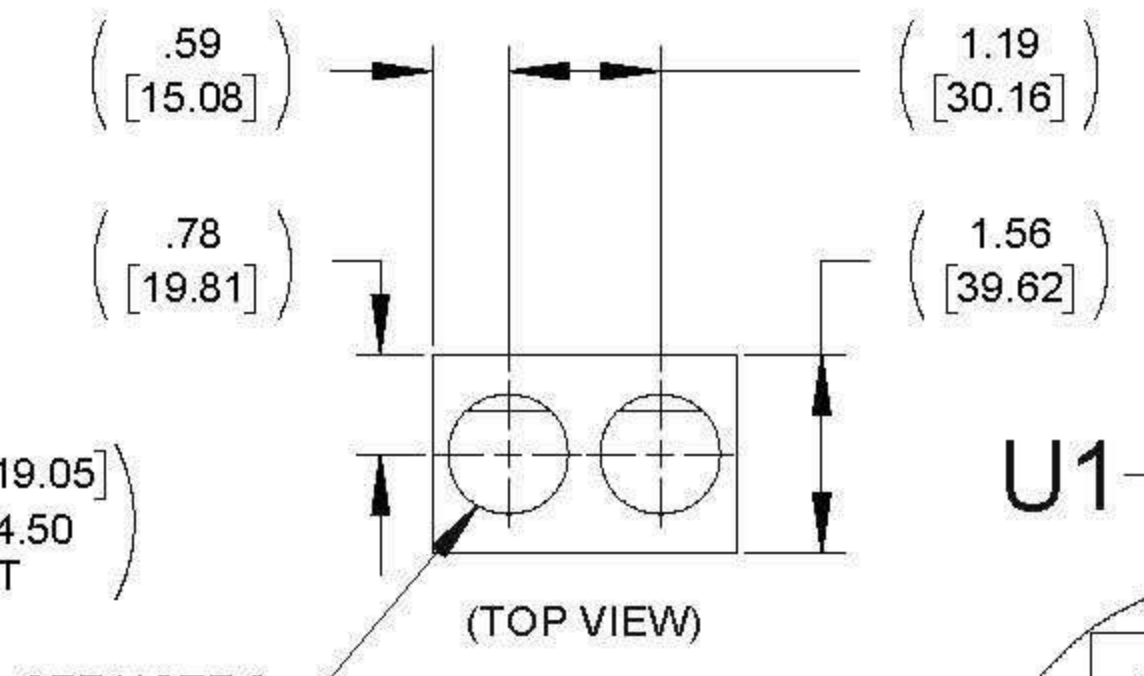
ECO No	DESCRIPTION	REVBY	DATE
M9796	UPDATED NOTES	JT	03/15/16



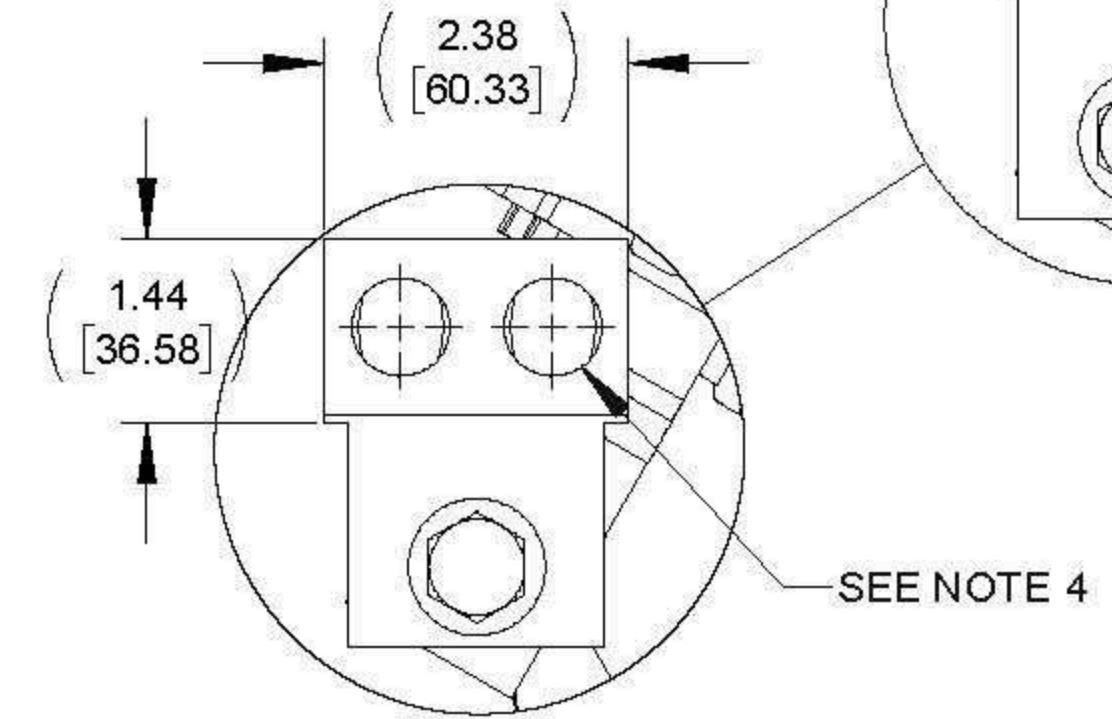
**FRONT VIEW**  
(PANELS REMOVED)



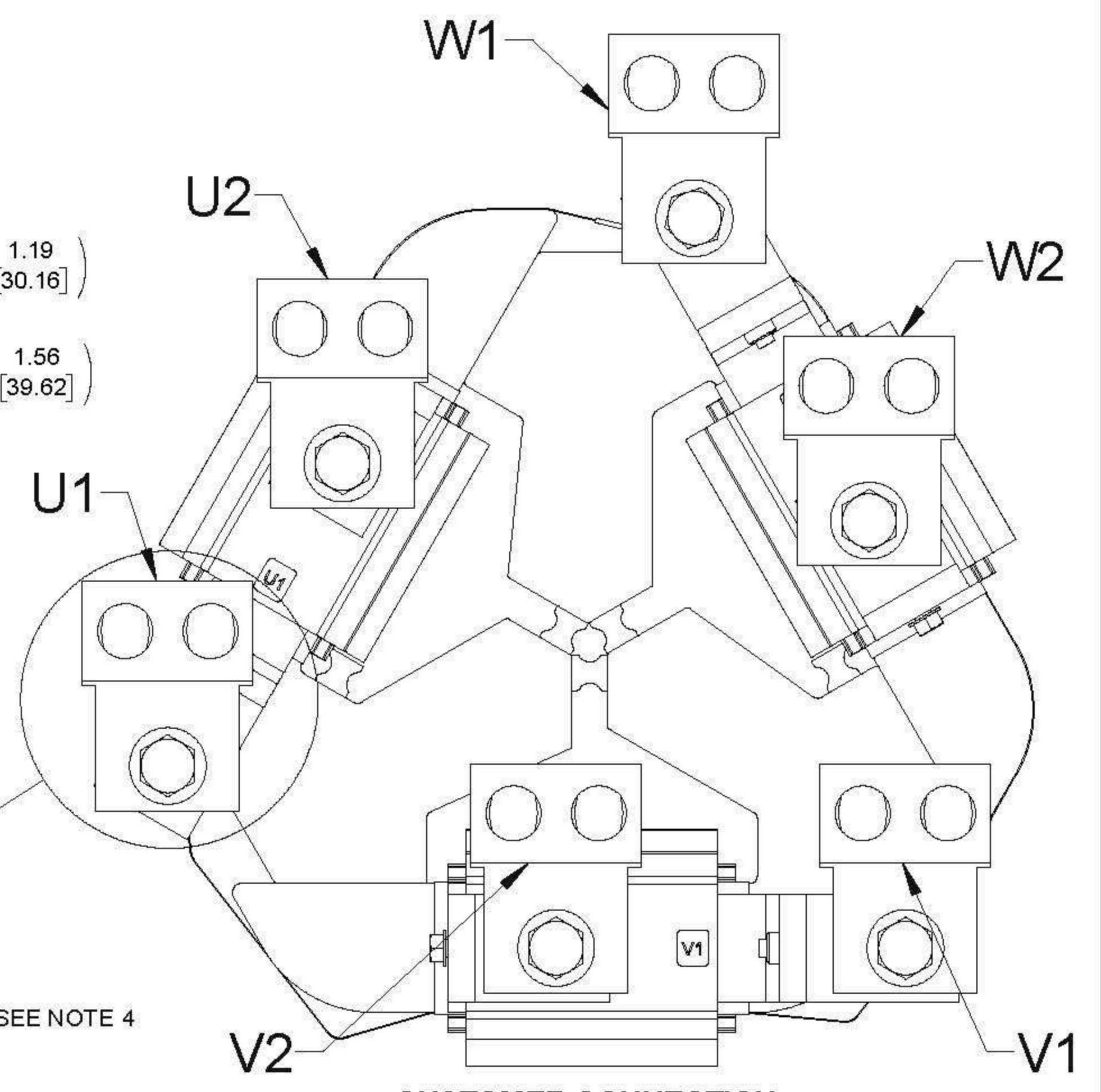
**SIDE VIEW**



**(TOP VIEW)**

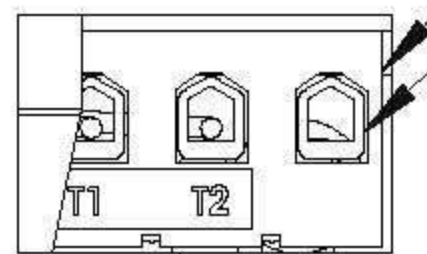


**(FRONT VIEW)**  
**FIELD TERMINAL DETAIL**  
(6 PLACES)  
(U1,U2,V1,V2,W1,W2)



**CUSTOMER CONNECTION DETAIL VIEW**

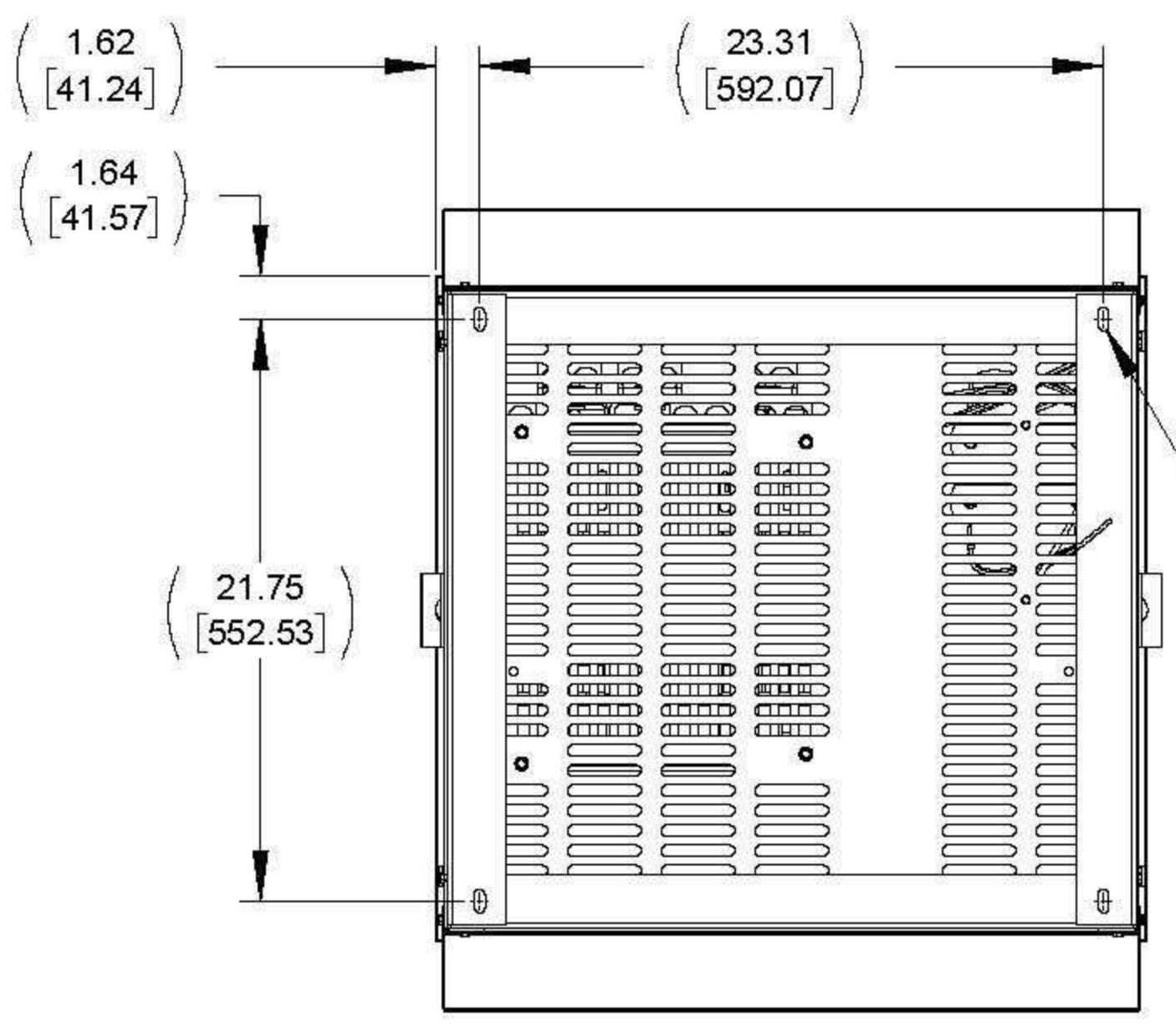
**CUSTOMER THERMAL CONNECTION**



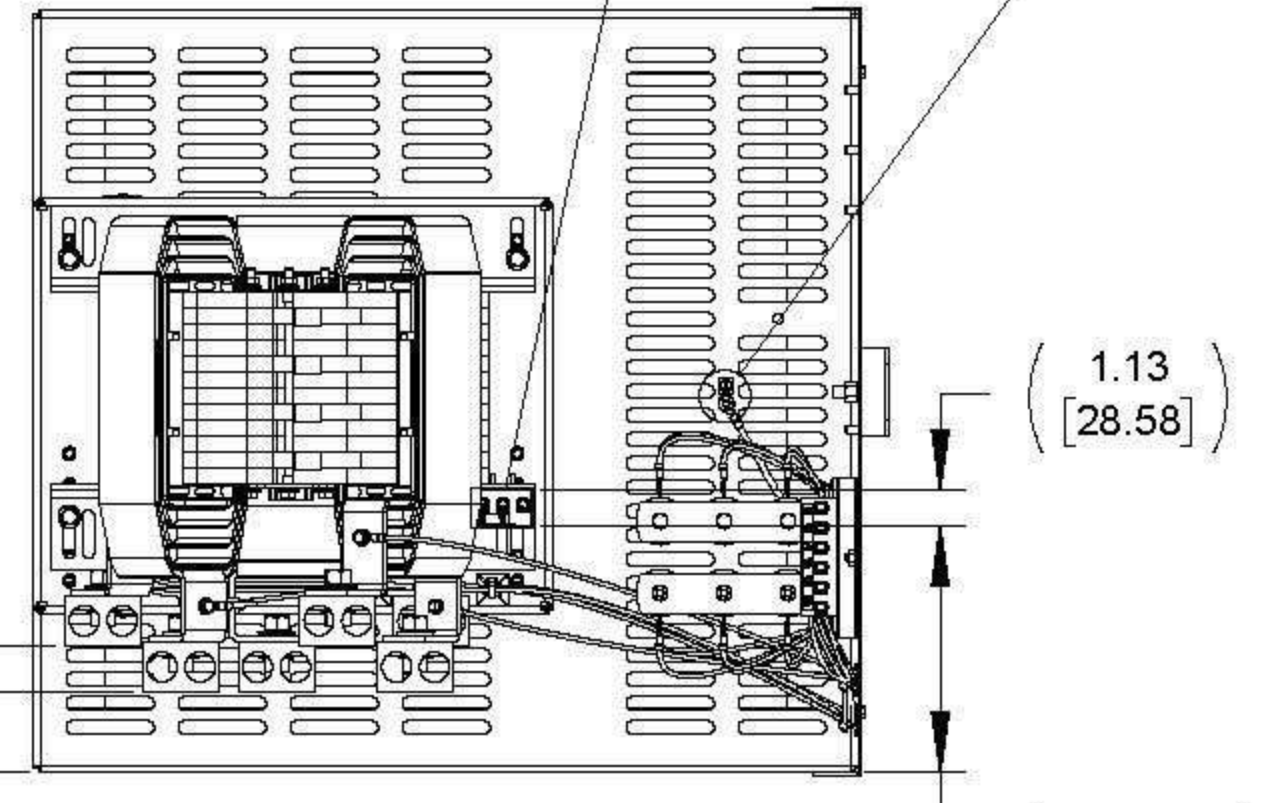
SEE NOTE 2  
SEE NOTE 1

**GROUND DETAIL**

1/4-20 GROUND STUD



**BOTTOM VIEW**



**TOP VIEW**  
(PANELS REMOVED)

**NOTES:**

1. WIRE RANGE: 4 - 18 AWG
2. TERMINAL SCREW TIGHTENING TORQUE: 16 IN/LBS, MAX.
3. WIRE RANGE: 4AWG-600kcmil
4. TERMINAL SCREW TIGHTENING TORQUE: 500 IN/LBS, MAX.

THE COMPONENT, PART OR ASSEMBLY DESCRIBED IN THIS DOCUMENT MUST COMPLY WITH THE EU (EUROPEAN UNION) DIRECTIVE RoHS2		MATERIAL		CONFIDENTIAL AND PROPRIETARY INFORMATION THIS DOCUMENT CONTAINS CONFIDENTIAL AND PROPRIETARY INFORMATION OF MTE CORPORATION AND MAY NOT BE USED, COPIED OR DISCLOSED TO OTHERS EXCEPT WITH THE AUTHORIZED WRITTEN PERMISSION OF MTE CORPORATION	
CONTAINS <0.1% OF ANY SVHC BY WEIGHT PER REACH REGULATION				DESCRIPTION	
UNLESS OTHERWISE SPECIFIED DIMENSIONS ARE IN INCHES (MM) TOLERANCES ARE:		DRAWN		DV SENTRY 515A 380-600V FILTER, NEMA 3R ENCL.	
ANGLES: ± 1°		DATE		SIZE	
1 PLACE .X: ± .1 [2.5]		JT 07/30/14		D	
2 PLACE .XX: ± .03 [0.76]		CHECKED		DWG No.	
3 PLACE .XXX: ± .01 [0.254]		TM 03/22/16		CD DVSW0515E	
		APPROVED		REV	
		TM 03/22/16		03	
		SCALE		SHEET 1 OF 1	
		1:6			



N83 W13330 Leon Road  
Menomonee Falls, WI 53051 USA  
800.455.4693  
262.253.8200