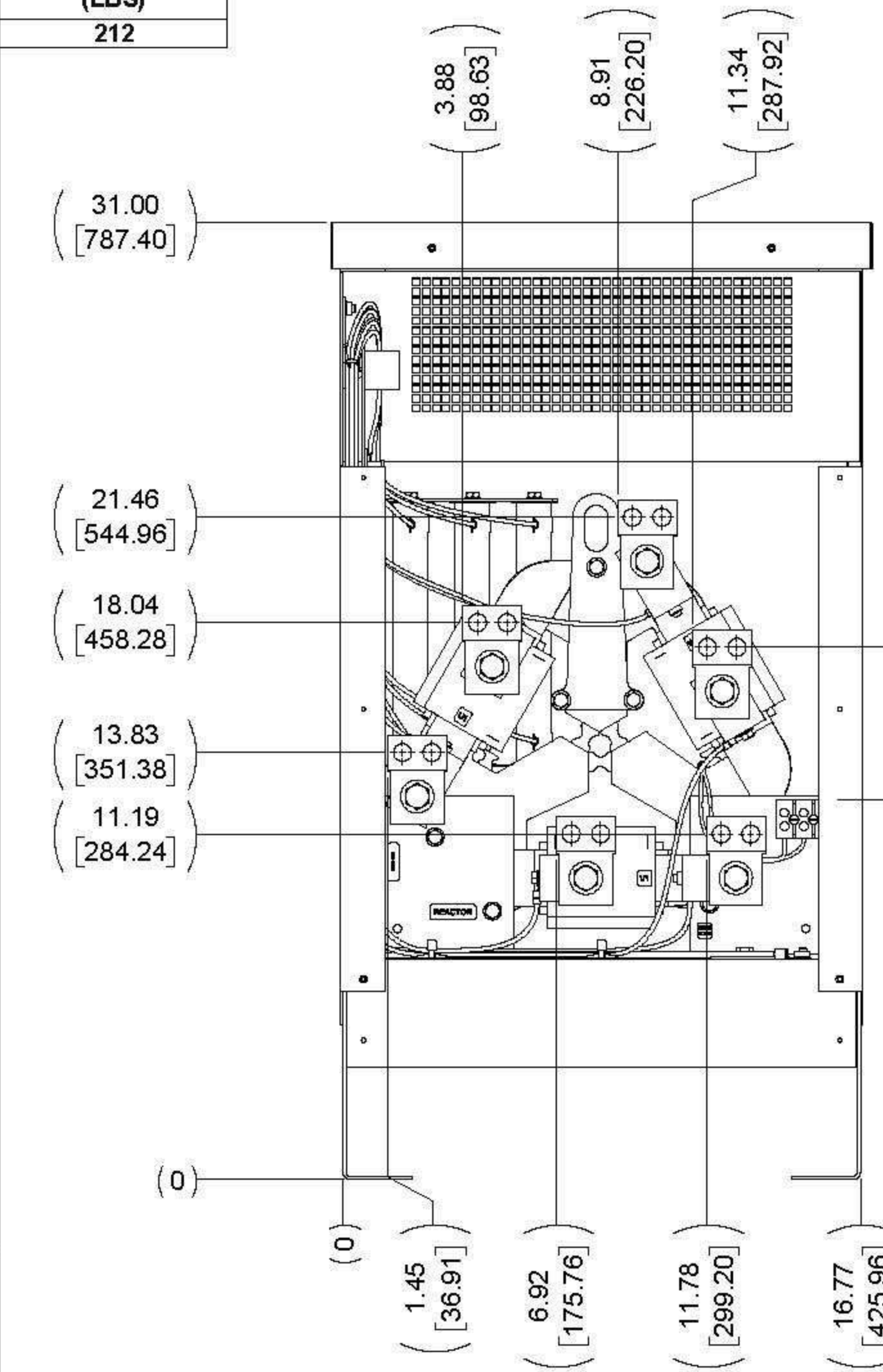
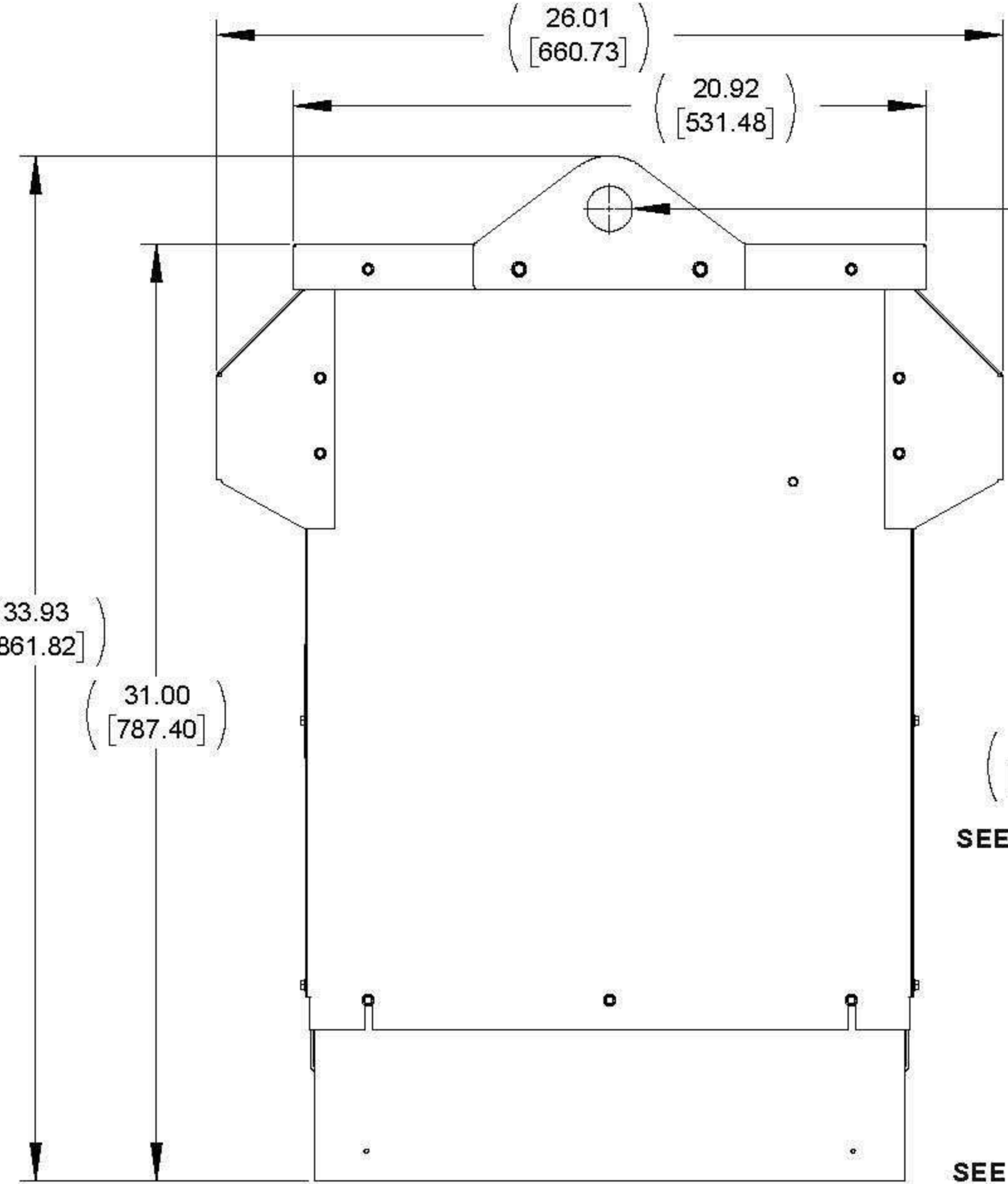


APPROX WEIGHT (LBS)
212

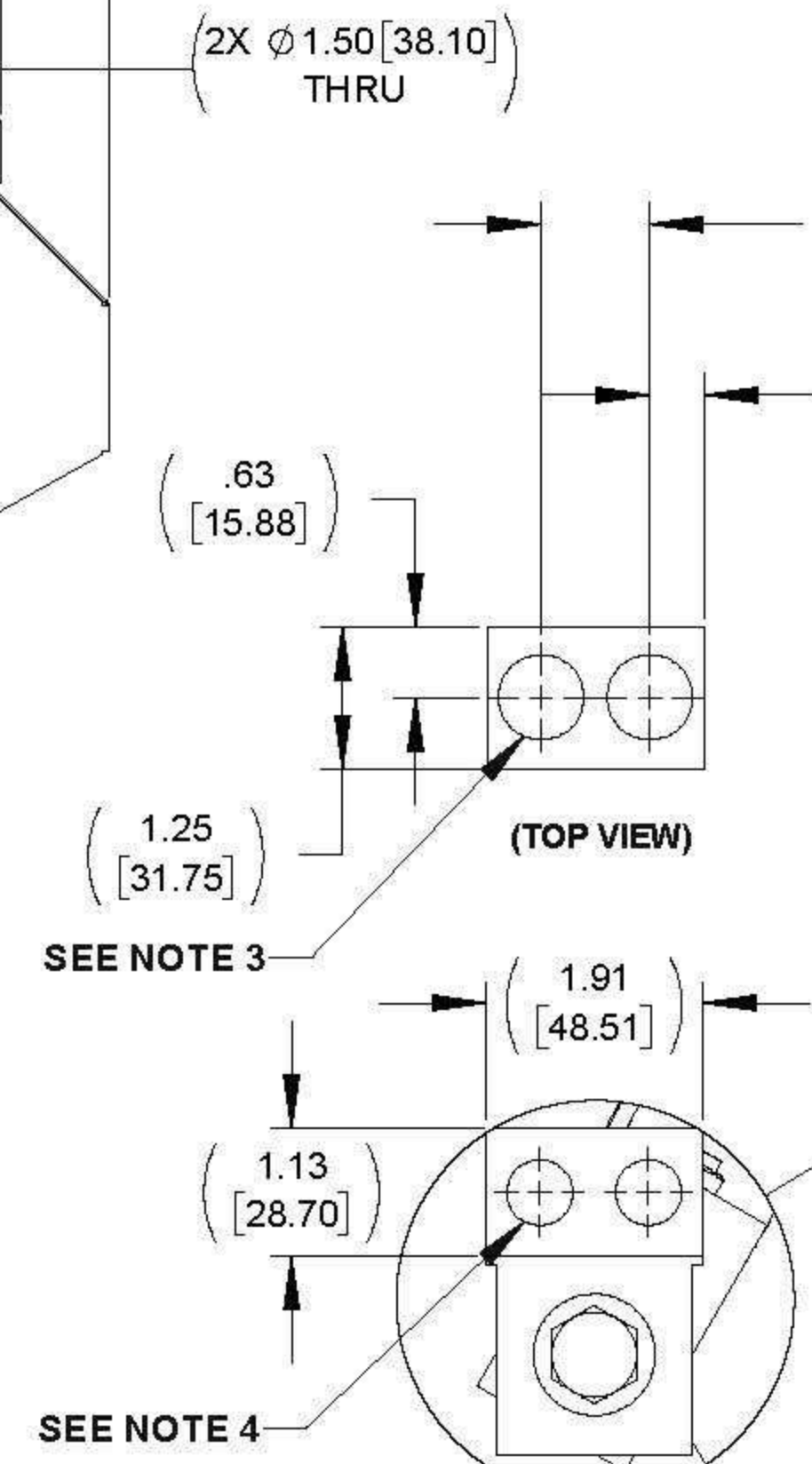
ECO No	DESCRIPTION	REVBY	DATE
M9495	DIM 3.14 WAS 3.67	RAH	03/17/15



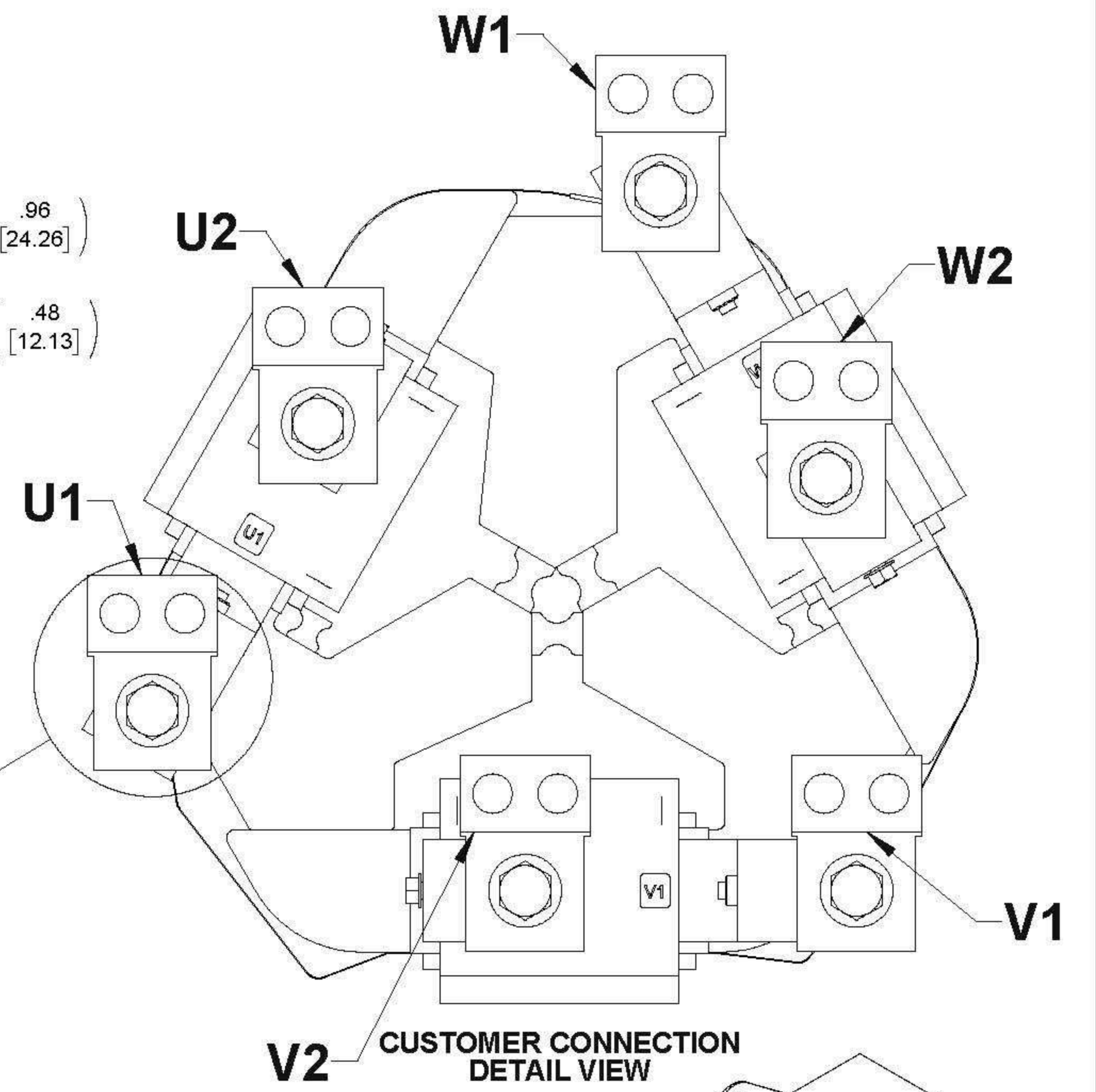
FRONT VIEW (PANEL REMOVED)



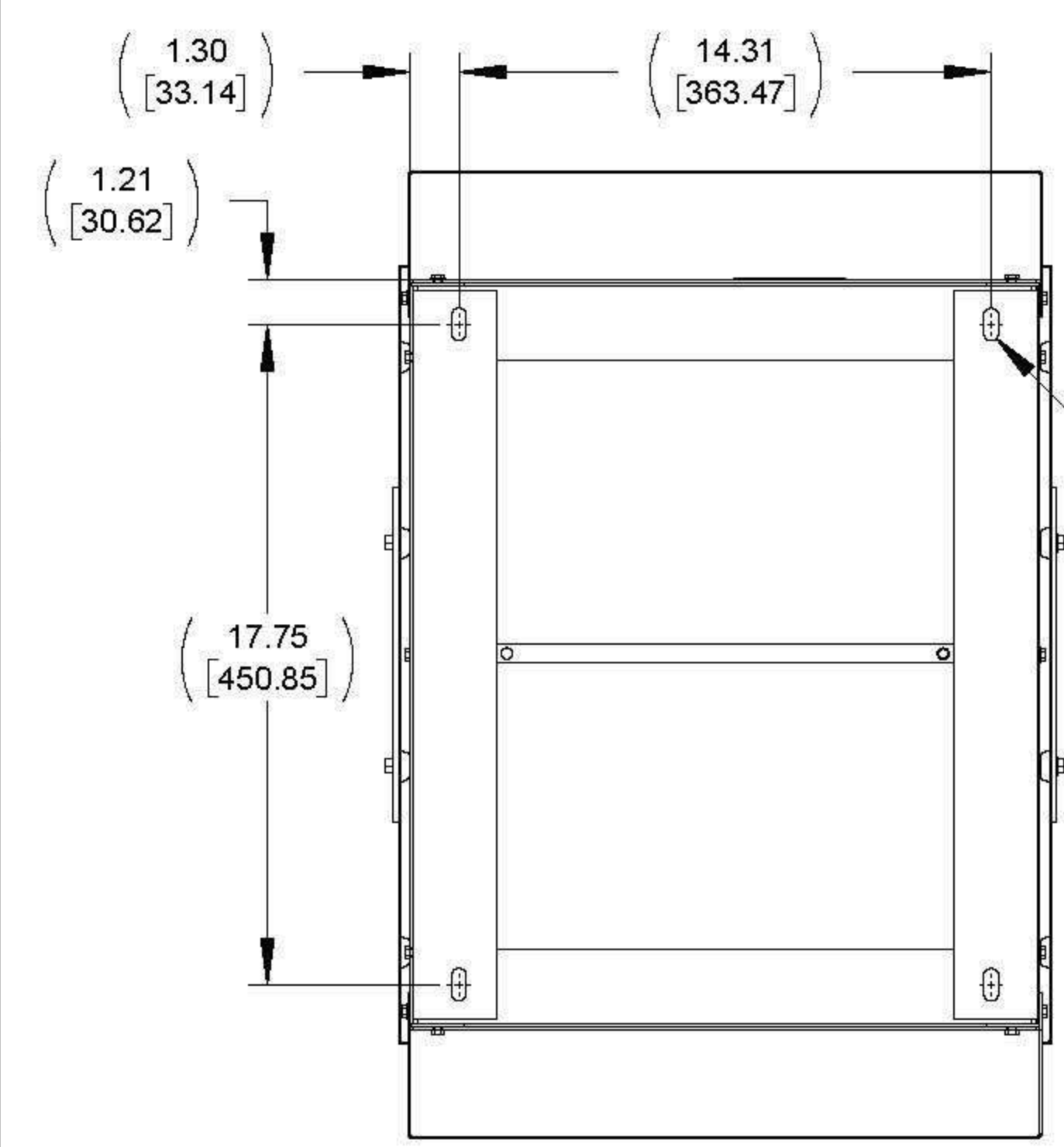
SIDE VIEW



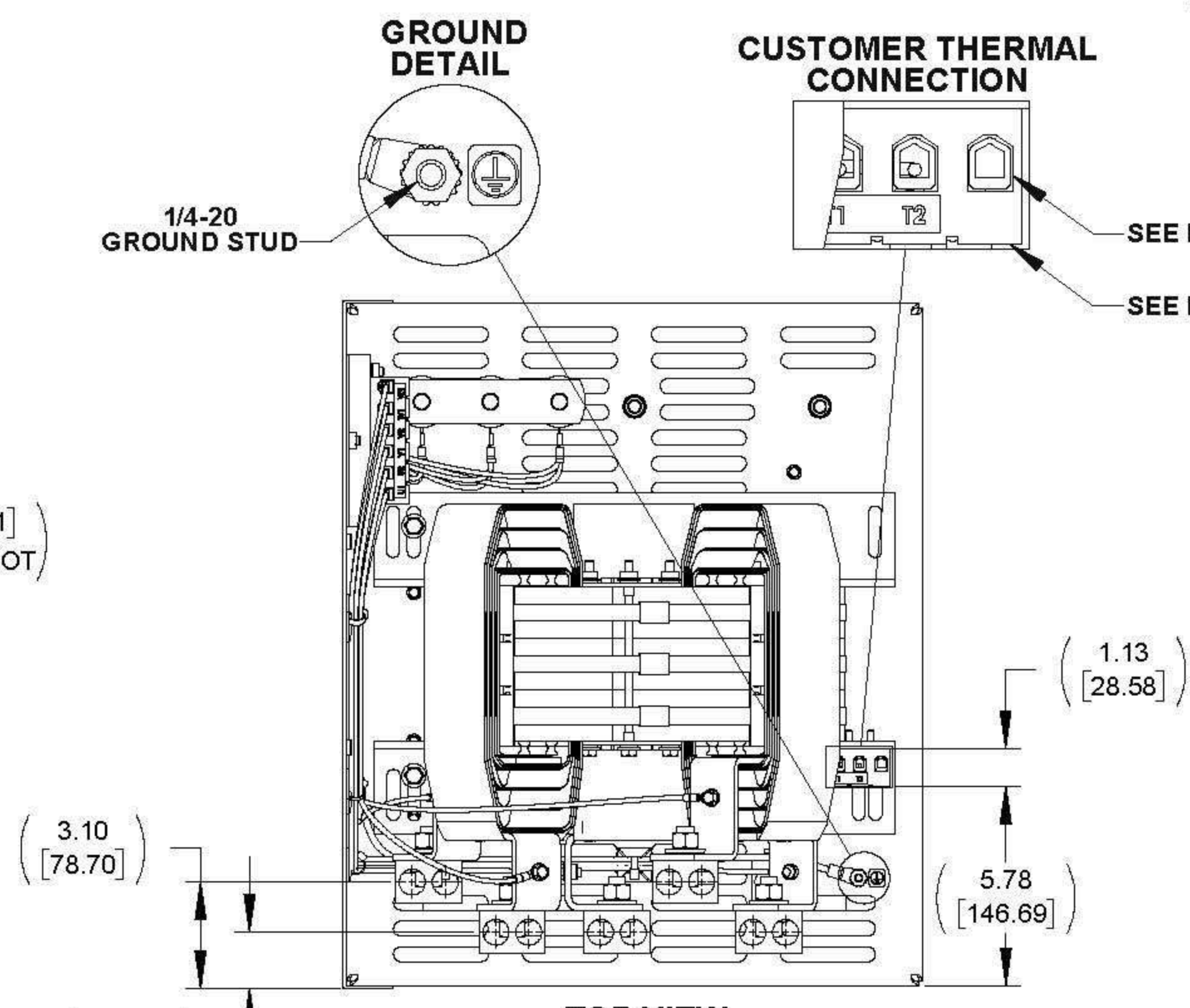
FIELD TERMINAL DETAIL (6 PLACES) (U1, U2, V1, V2, W1, W2)



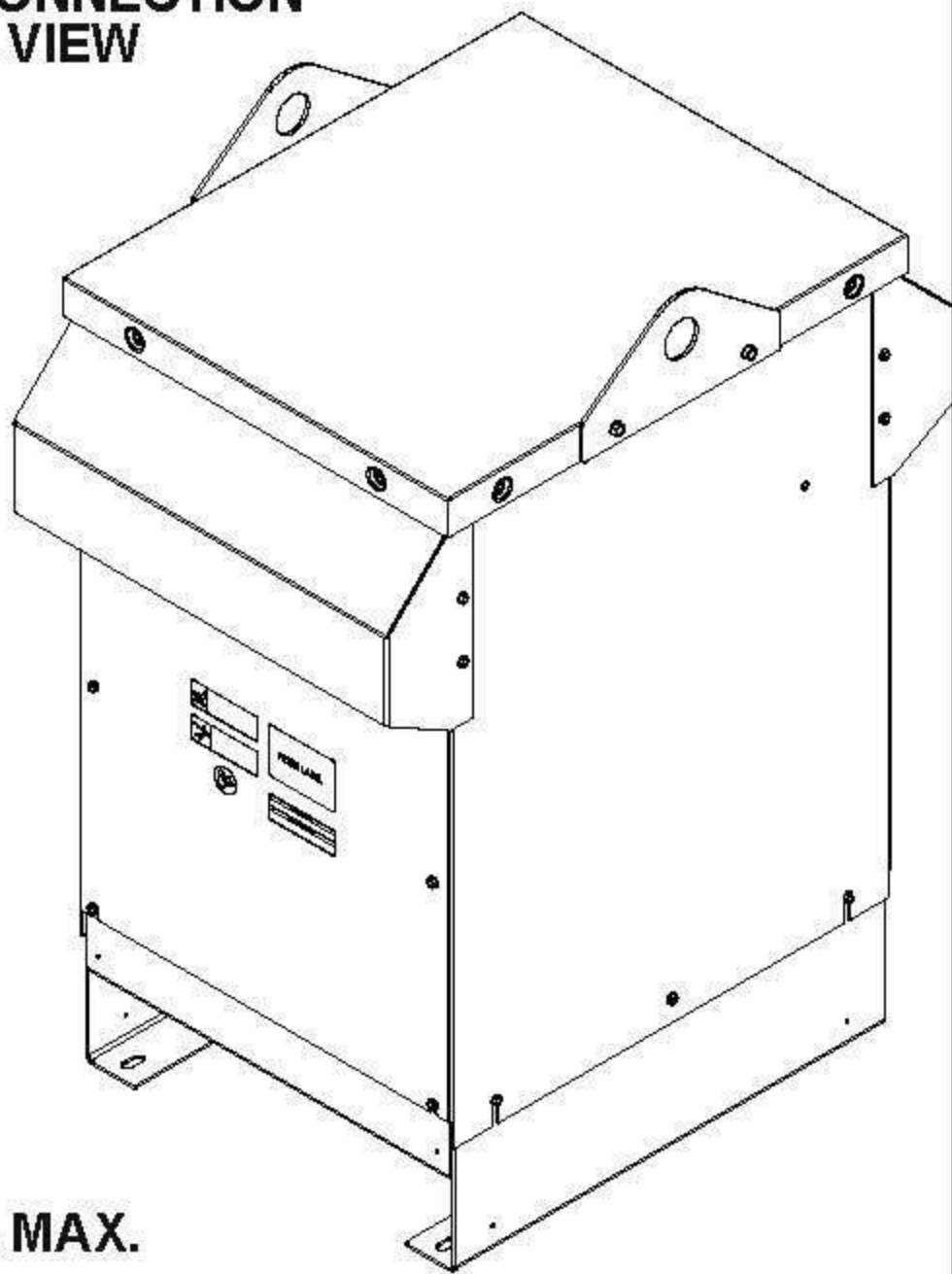
CUSTOMER CONNECTION DETAIL VIEW



BOTTOM VIEW



TOP VIEW (PANELS REMOVED)



NOTES:

1. WIRE RANGE: 4 - 18 AWG
2. TERMINAL SCREW TIGHTENING TORQUE: 16 IN/LBS, MAX.
3. WIRE RANGE: 350 kcmil - 6 AWG
4. TERMINAL SCREW TIGHTENING TORQUE: 500 IN/LBS, MAX.

THE COMPONENT, PART OR ASSEMBLY DESCRIBED IN THIS DOCUMENT MUST COMPLY WITH THE EU (EUROPEAN UNION) DIRECTIVE RoHS2
CONTAINS <0.1% OF ANY SVHC BY WEIGHT PER REACH REGULATION

UNLESS OTHERWISE SPECIFIED DIMENSIONS ARE IN INCHES (MM) TOLERANCES ARE:
ANGLES: ± 1°
1 PLACE .X: ± .1 [2.5]
2 PLACE .XX: ± .03 [0.76]
3 PLACE .XXX: ± .010 [0.254]



MATERIAL	
DRAWN	DATE
MM	07/31/14
CHECKED	DATE
RH	03/18/15
APPROVED	DATE
RH	03/18/15

CONFIDENTIAL AND PROPRIETARY INFORMATION THIS DOCUMENT CONTAINS CONFIDENTIAL AND PROPRIETARY INFORMATION OF MTE CORPORATION AND MAY NOT BE USED, COPIED OR DISCLOSED TO OTHERS EXCEPT WITH THE AUTHORIZED WRITTEN PERMISSION OF MTE CORPORATION		
DESCRIPTION		
DV SENTRY 365A 380-600V FILTER, NEMA 3R ENCL.		
SIZE	DWG No.	REV
D	CD DVSW0365E	01
SCALE	SHEET 1 OF 1	
1:4		