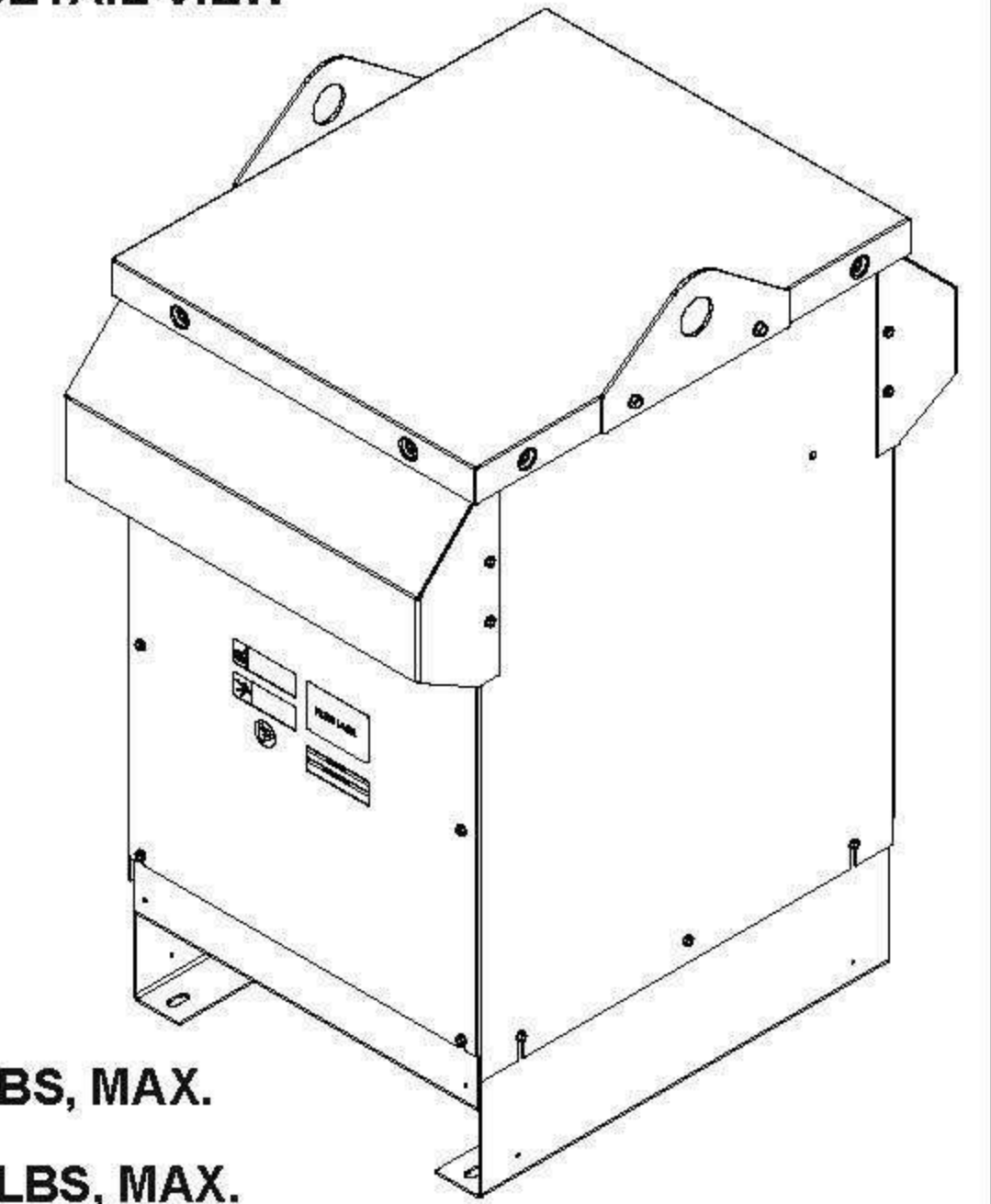
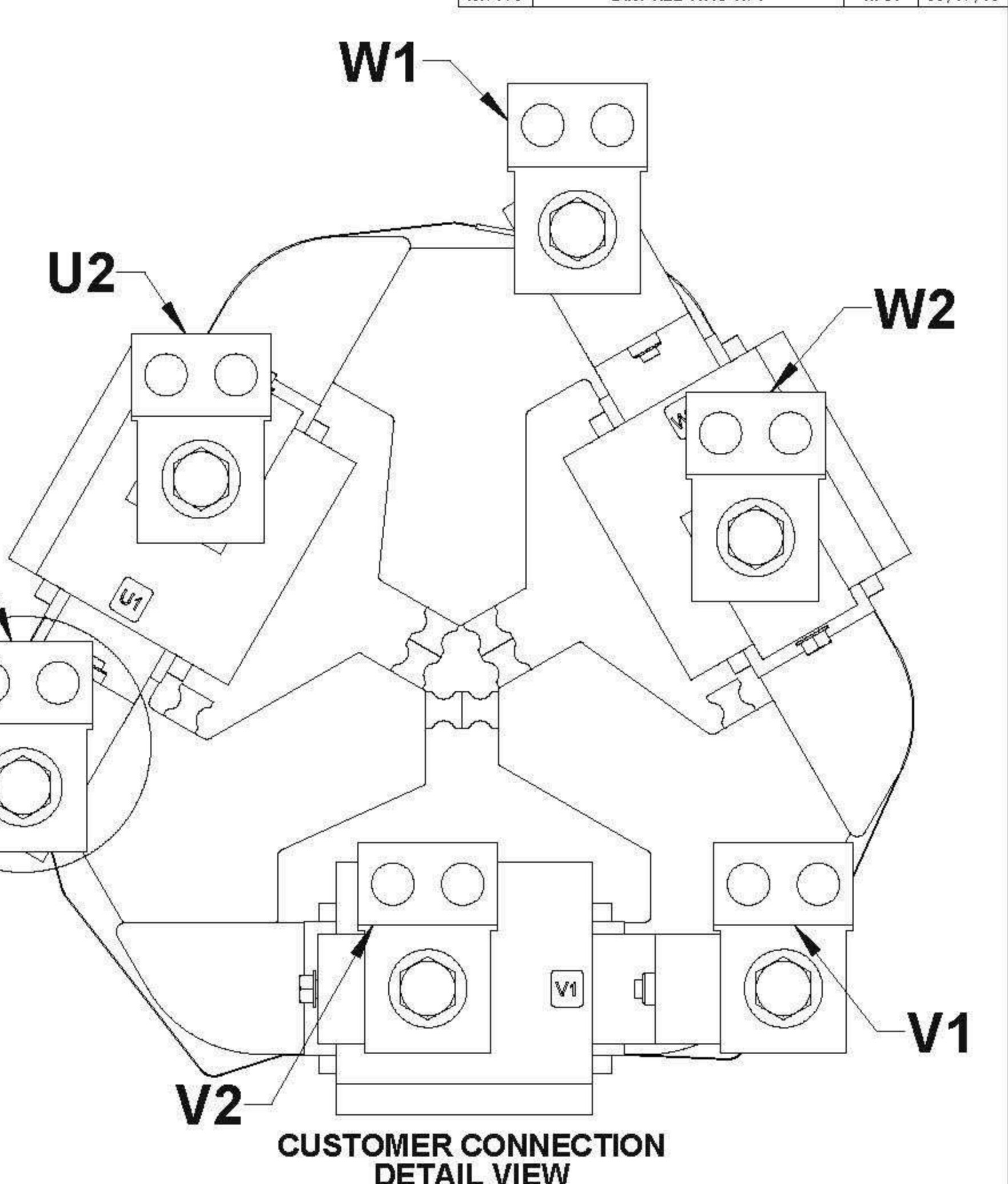
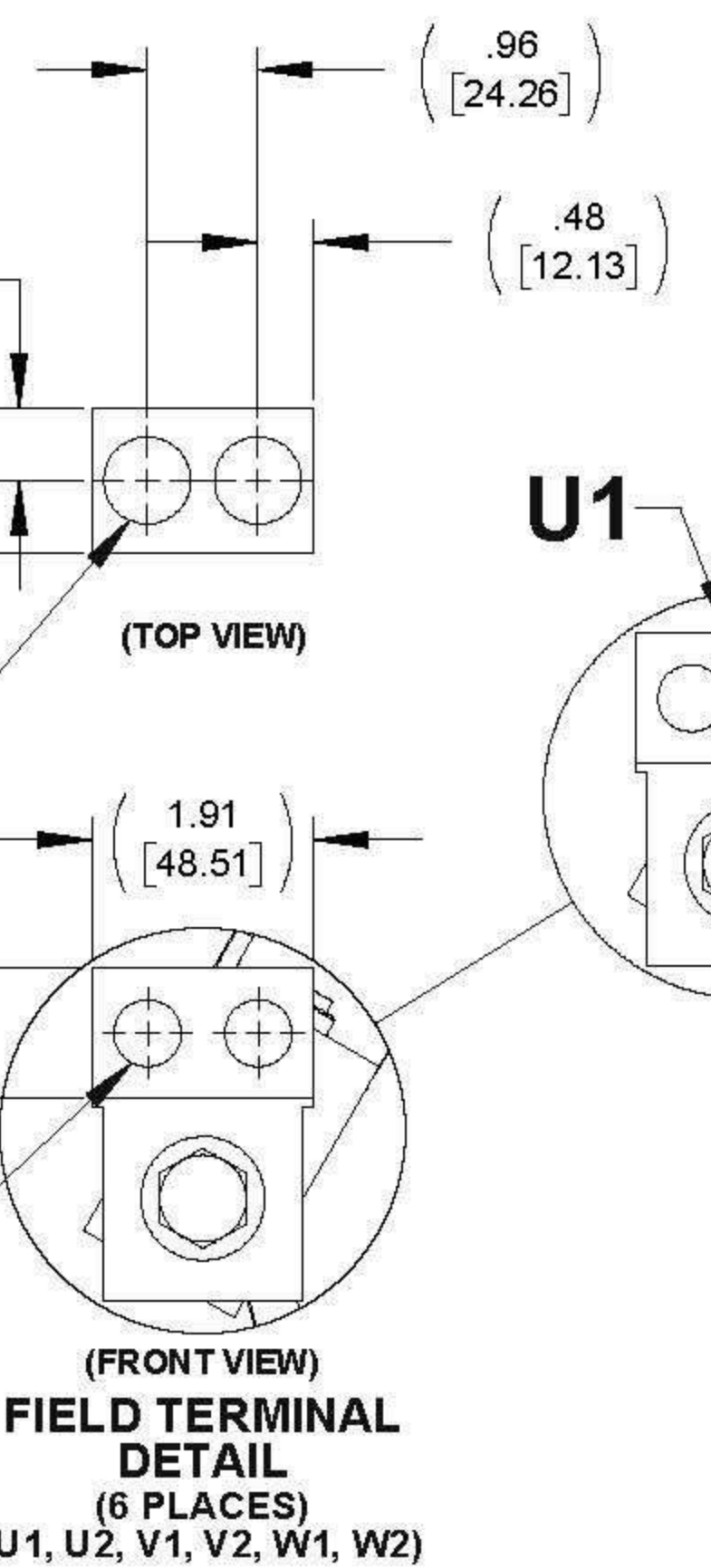
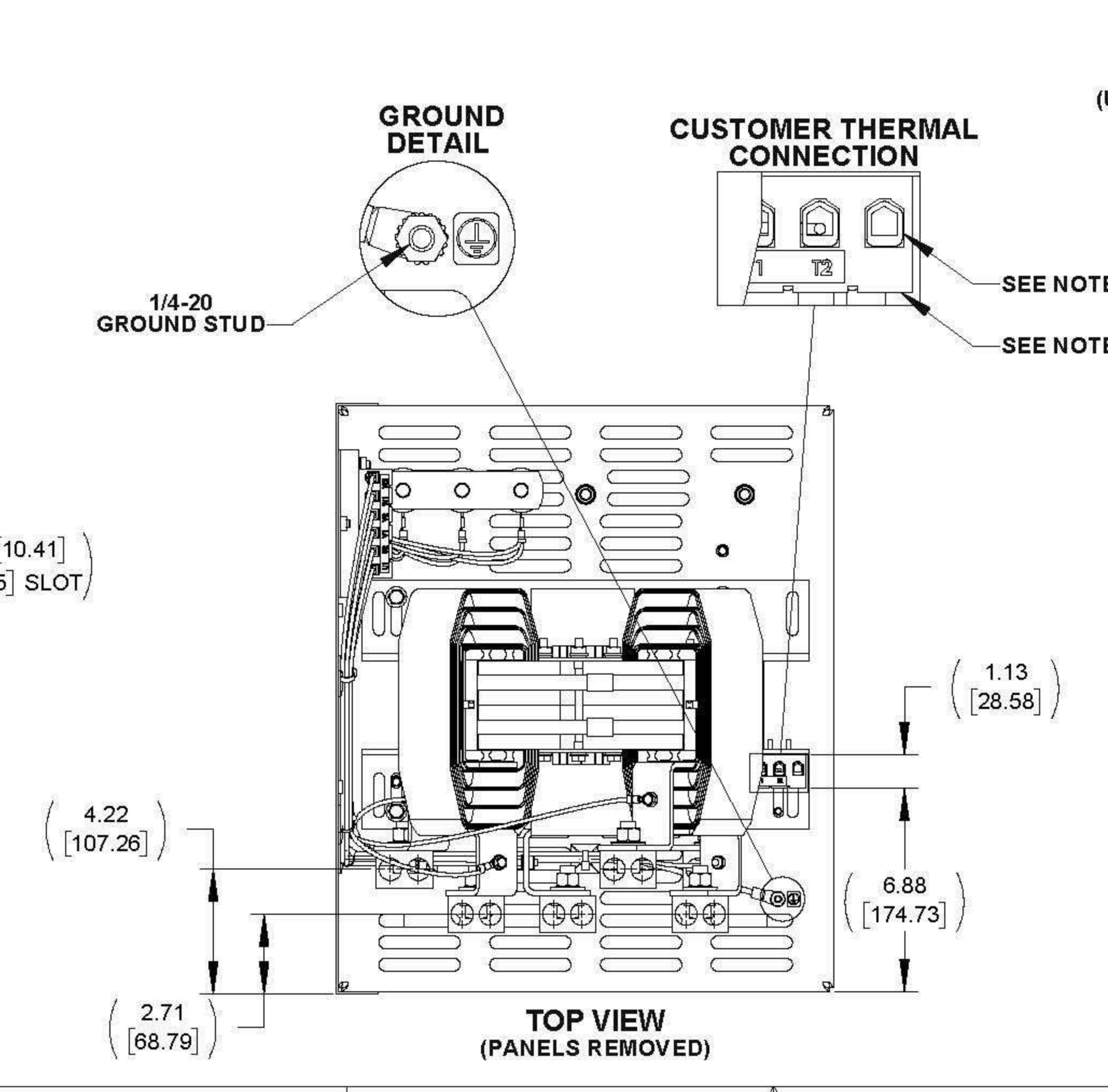
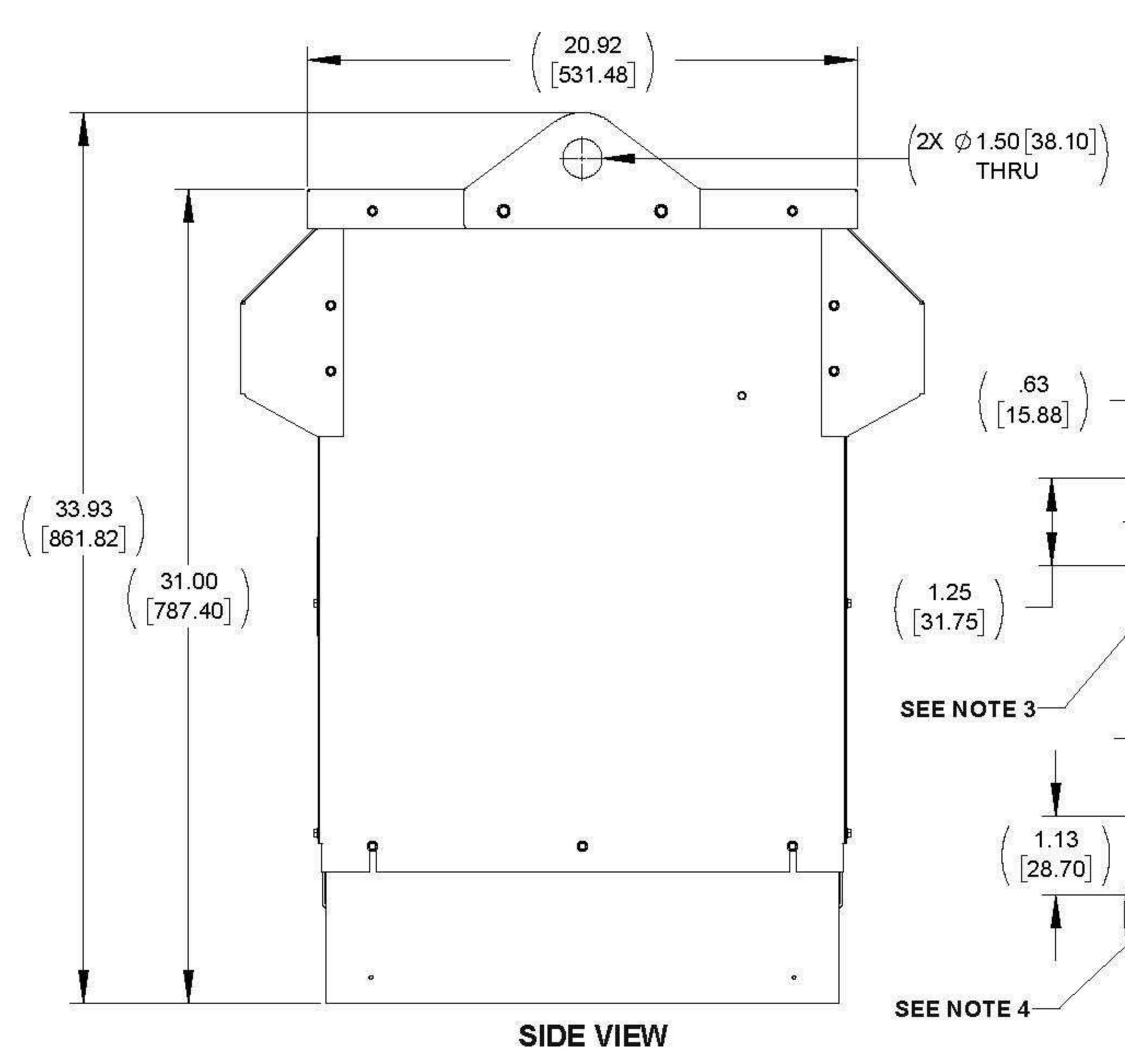
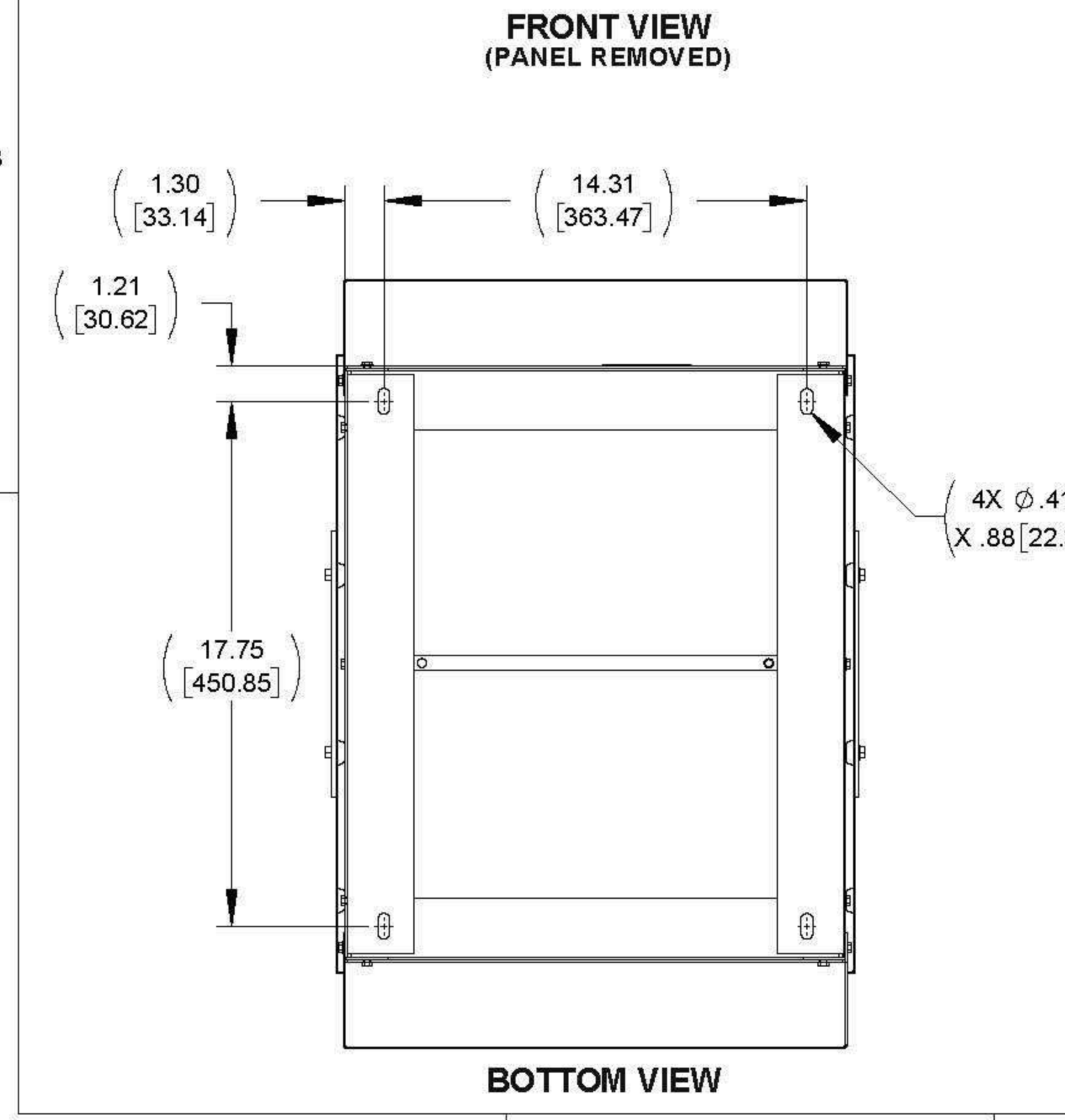
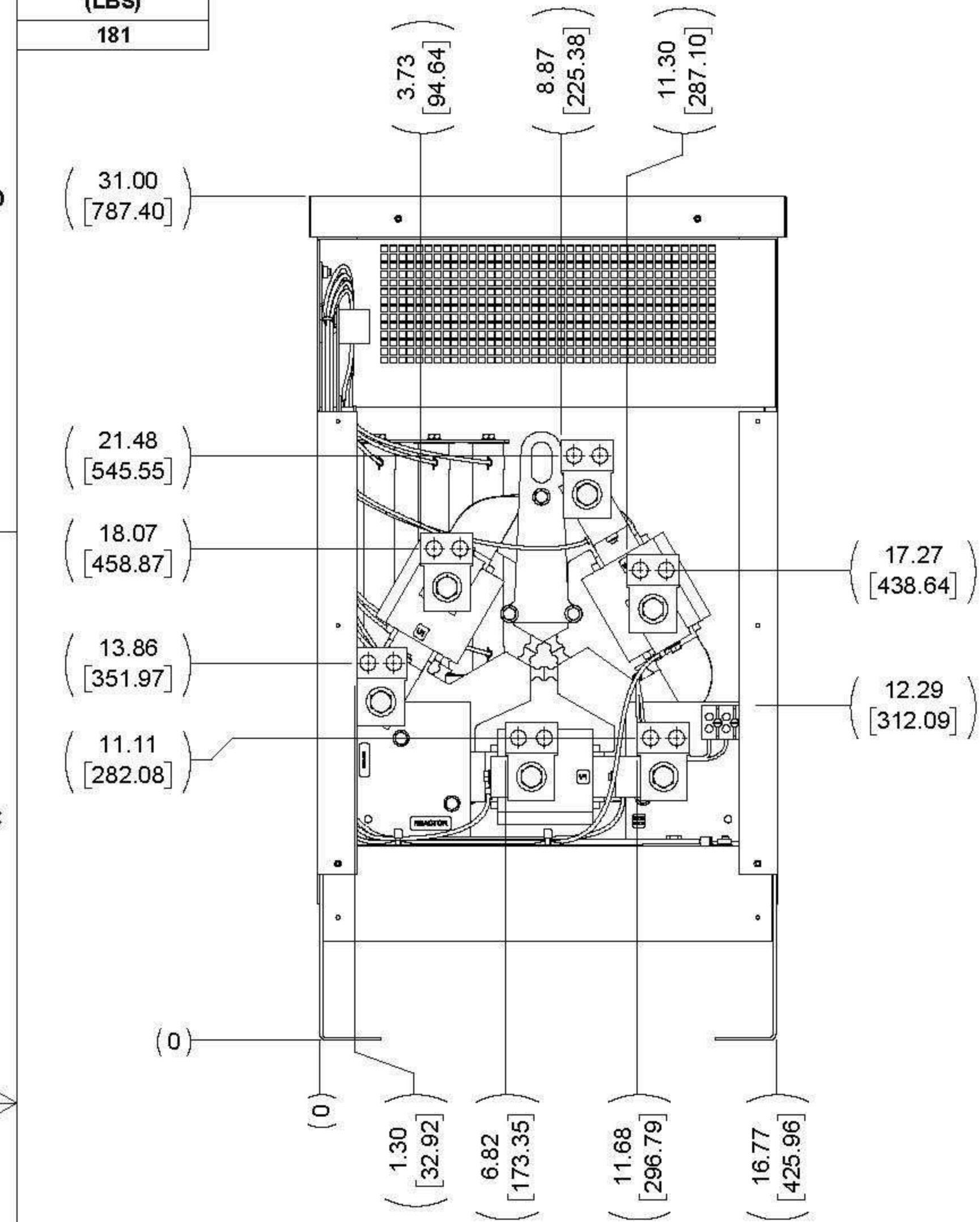


APPROX WEIGHT (LBS)
181

ECO No	DESCRIPTION	REVBY	DATE
M9495	DIM 4.22 WAS 4.71	RAH	03/17/15



- NOTES:**
1. WIRE RANGE: 4 - 18 AWG
 2. TERMINAL SCREW TIGHTENING TORQUE: 16 IN/LBS, MAX.
 3. WIRE RANGE: 350 kcmil - 6 AWG
 4. TERMINAL SCREW TIGHTENING TORQUE: 500 IN/LBS, MAX.

THE COMPONENT, PART OR ASSEMBLY DESCRIBED IN THIS DOCUMENT MUST COMPLY WITH THE EU (EUROPEAN UNION) DIRECTIVE RoHS2		MATERIAL		CONFIDENTIAL AND PROPRIETARY INFORMATION THIS DOCUMENT CONTAINS CONFIDENTIAL AND PROPRIETARY INFORMATION OF MTE CORPORATION AND MAY NOT BE USED, COPIED OR DISCLOSED TO OTHERS EXCEPT WITH THE AUTHORIZED WRITTEN PERMISSION OF MTE CORPORATION	
CONTAINS <0.1% OF ANY SVHC BY WEIGHT PER REACH REGULATION				DESCRIPTION	
UNLESS OTHERWISE SPECIFIED DIMENSIONS ARE IN INCHES (MM) TOLERANCES ARE:		DRAWN		DV SENTRY 305A 380-600V FILTER, NEMA 3R ENCL.	
ANGLES: ± 1°		DATE		SIZE	
1 PLACE .X: ± .1 [2.5]		07/31/14		D	
2 PLACE .XX: ± .03 [0.76]		CHECKED		DWG No.	
3 PLACE .XXX: ± .010 [0.254]		RH		CD DVSW0305E	
		DATE		REV	
		03/18/15		02	
		APPROVED		SCALE	
		RH		1:4	
		DATE		SHEET 1 OF 1	
		03/18/15			

