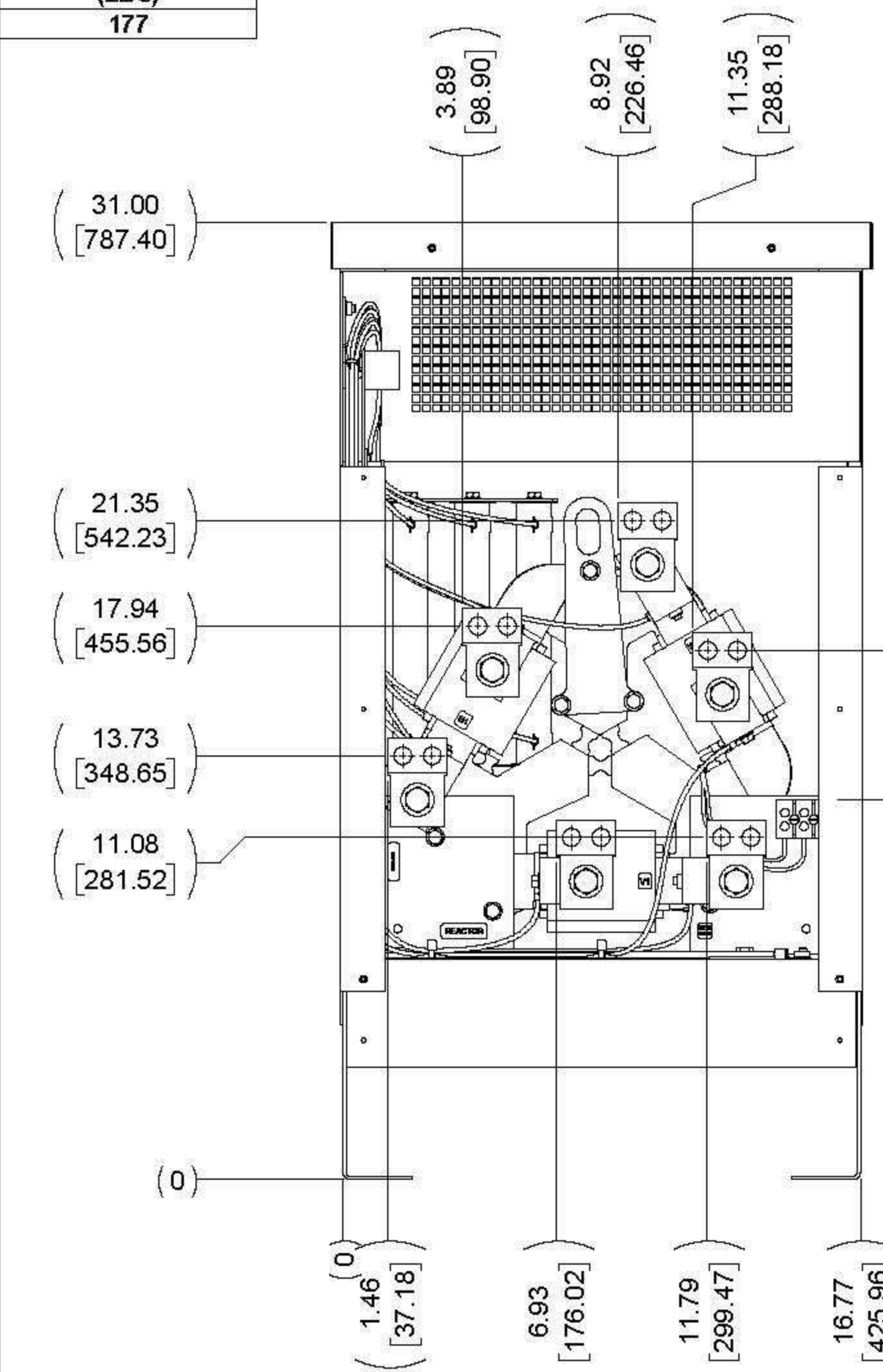
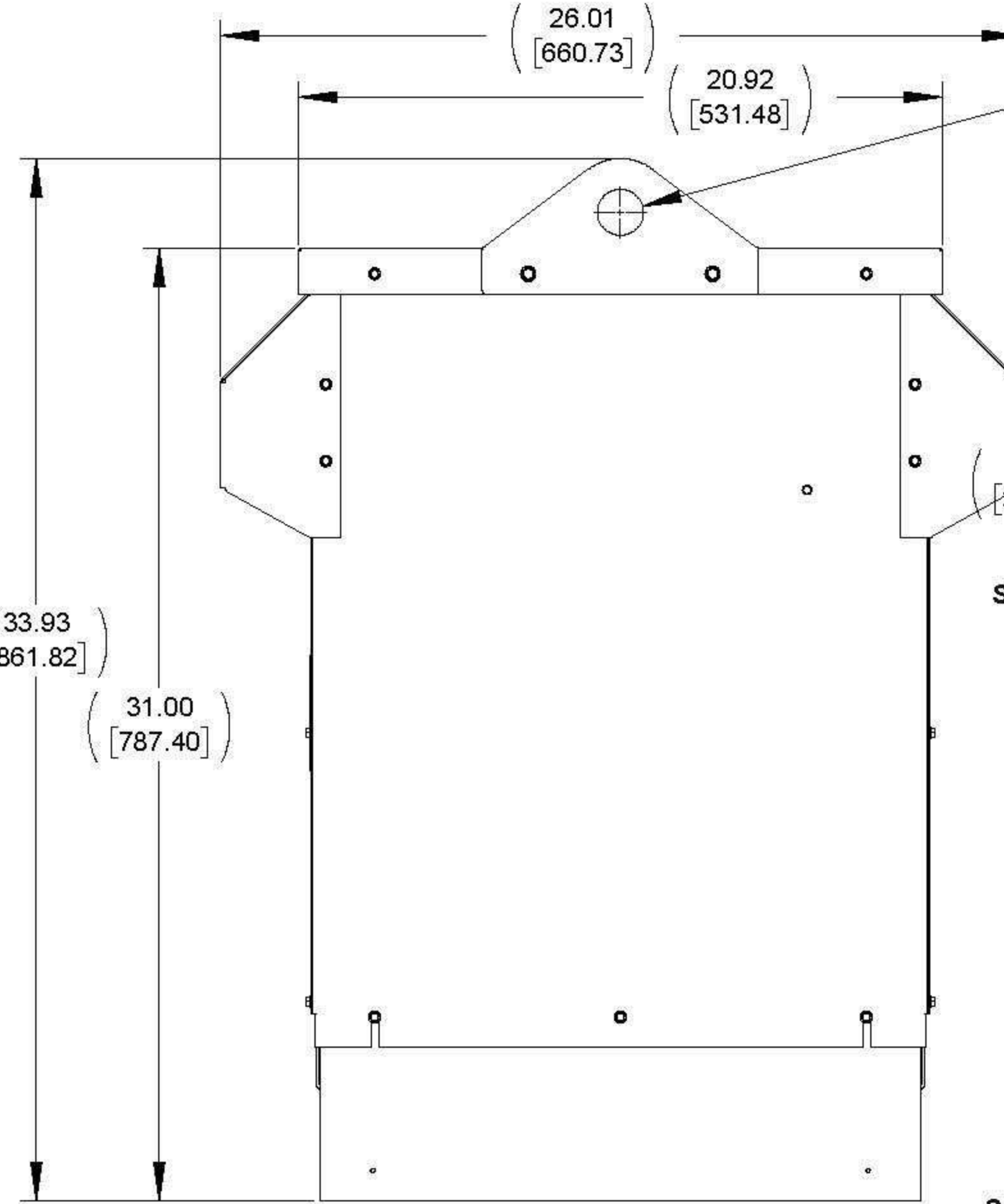


ECO No	DESCRIPTION	REVBY	DATE
M9495	DIM 4.23 WAS 4.73	RAH	03/17/15

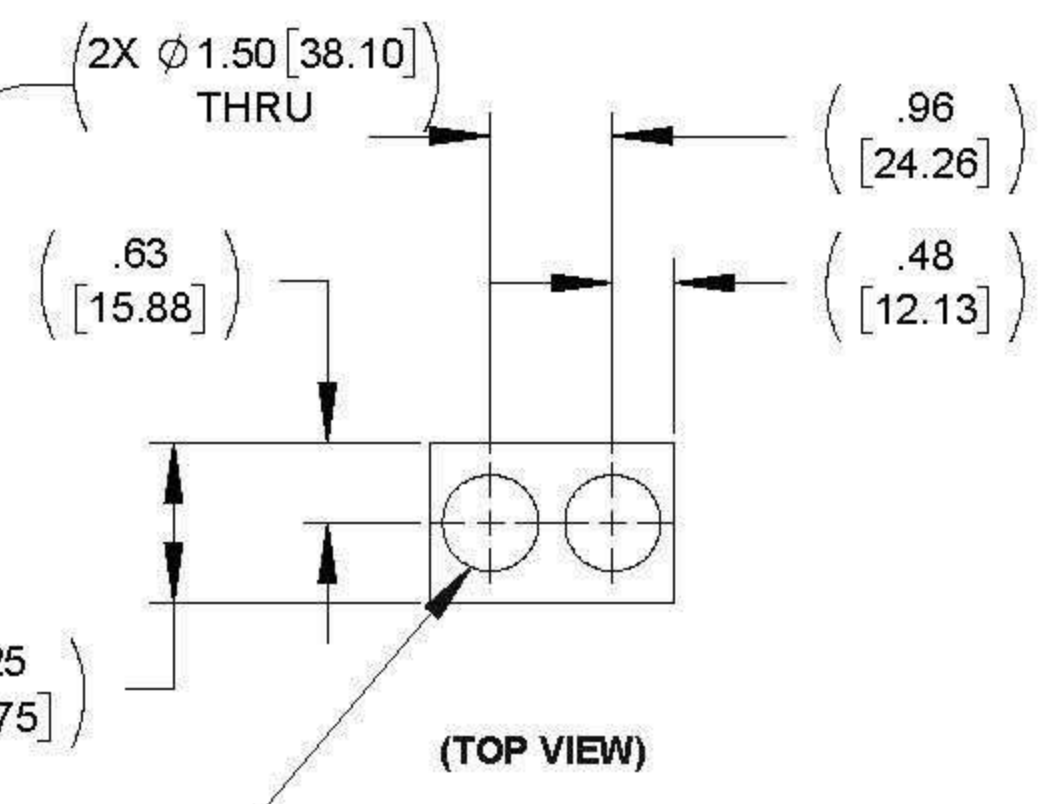
APPROX WEIGHT (LBS)
177



**FRONT VIEW
(PANEL REMOVED)**

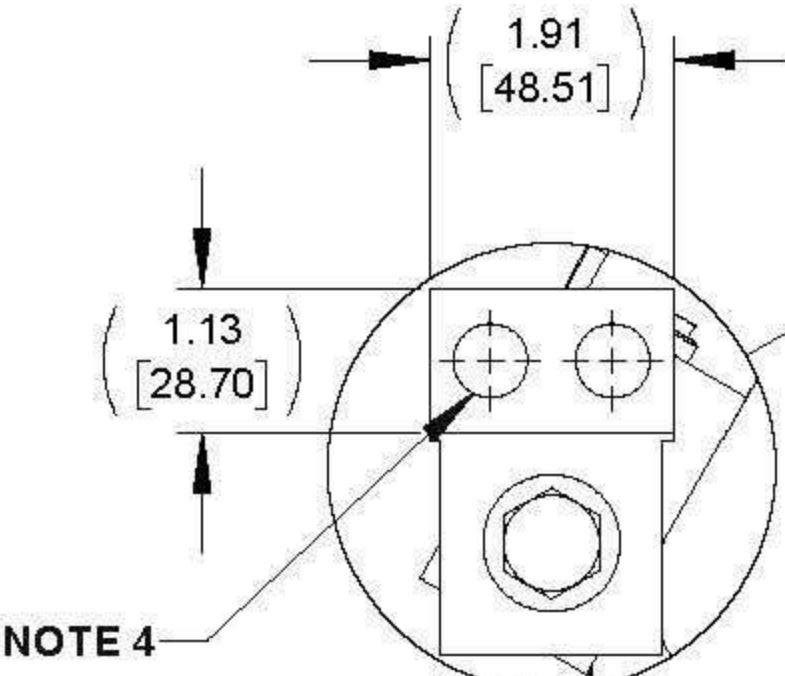


SIDE VIEW



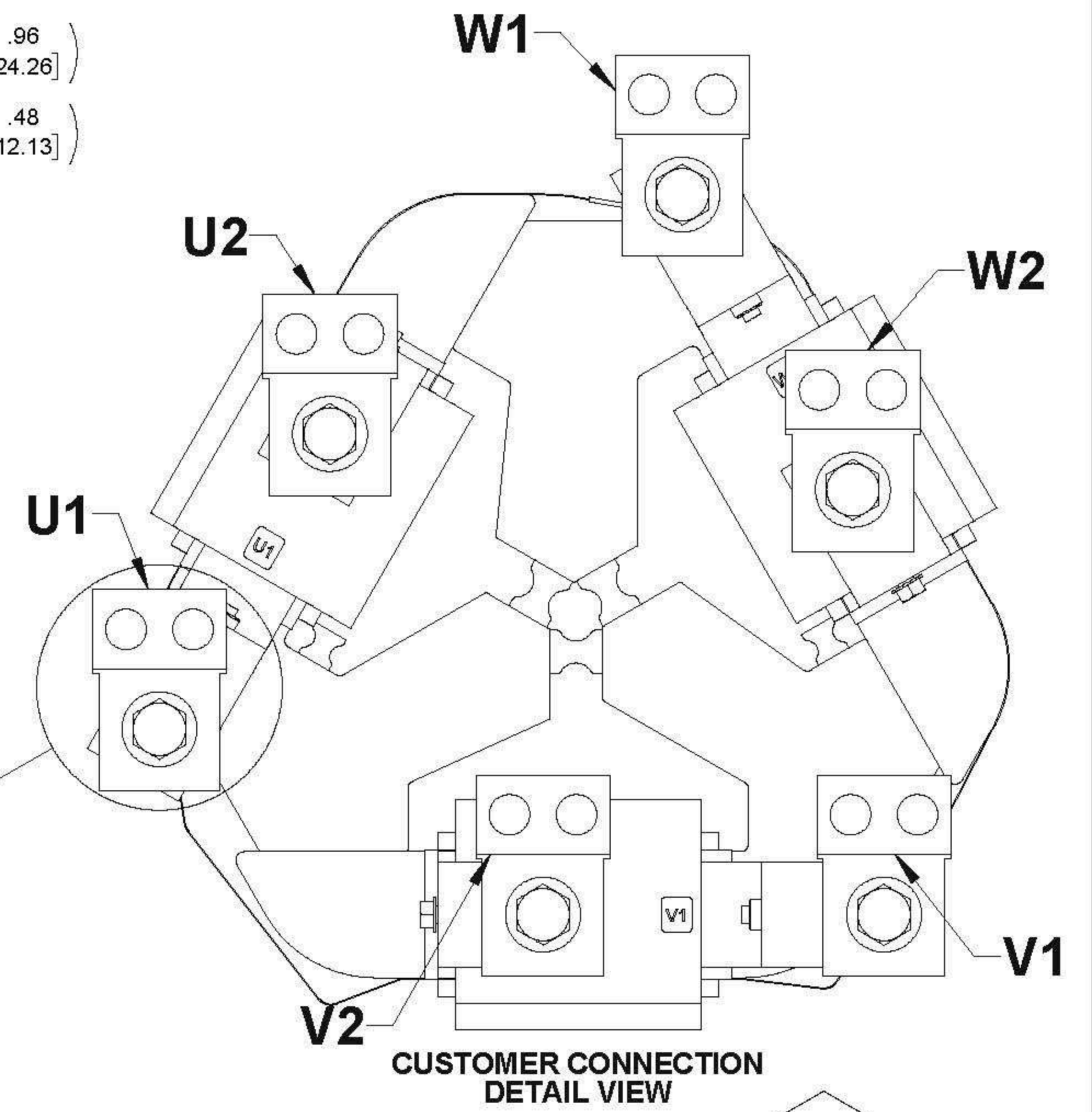
(TOP VIEW)

SEE NOTE 3

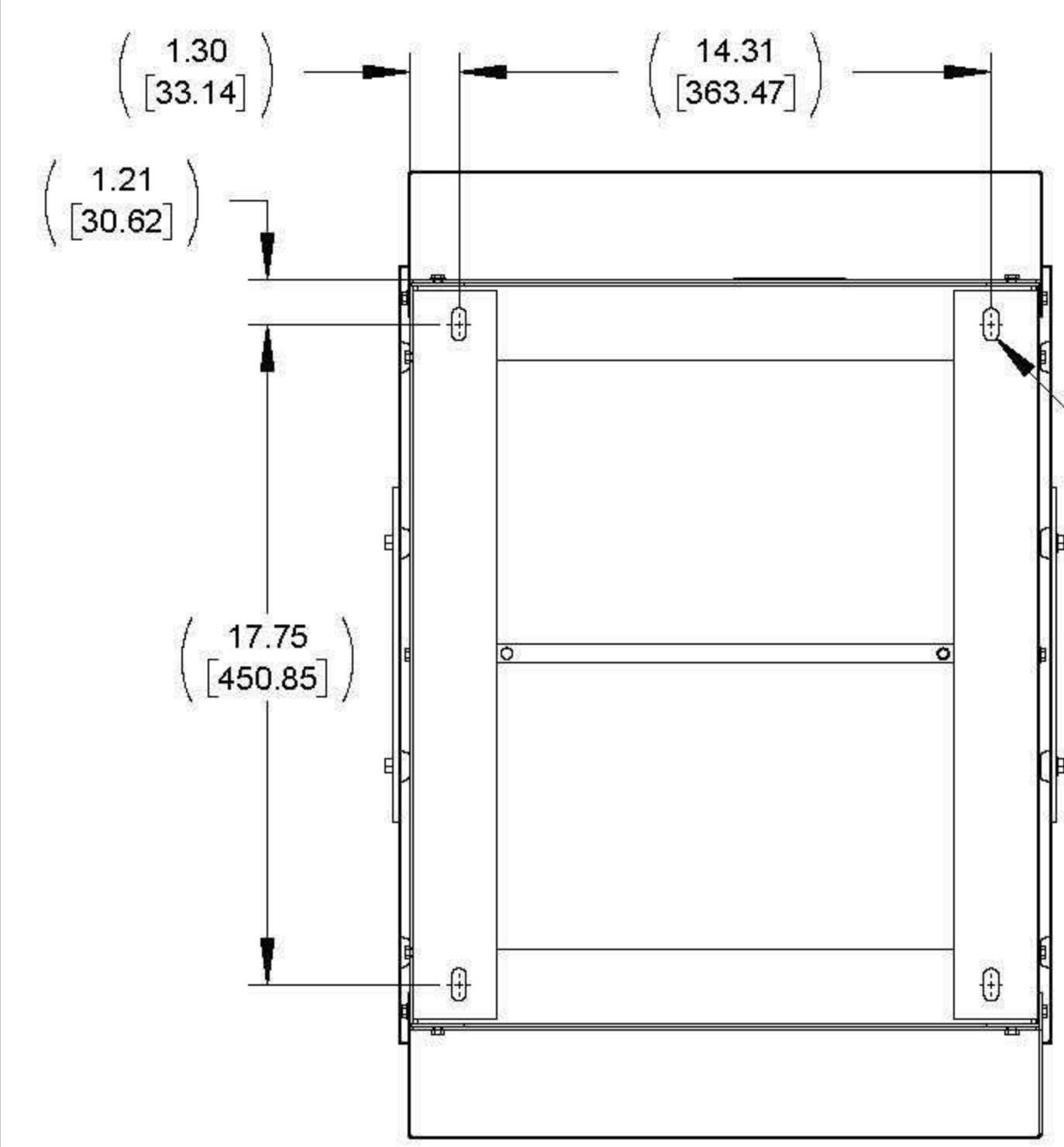
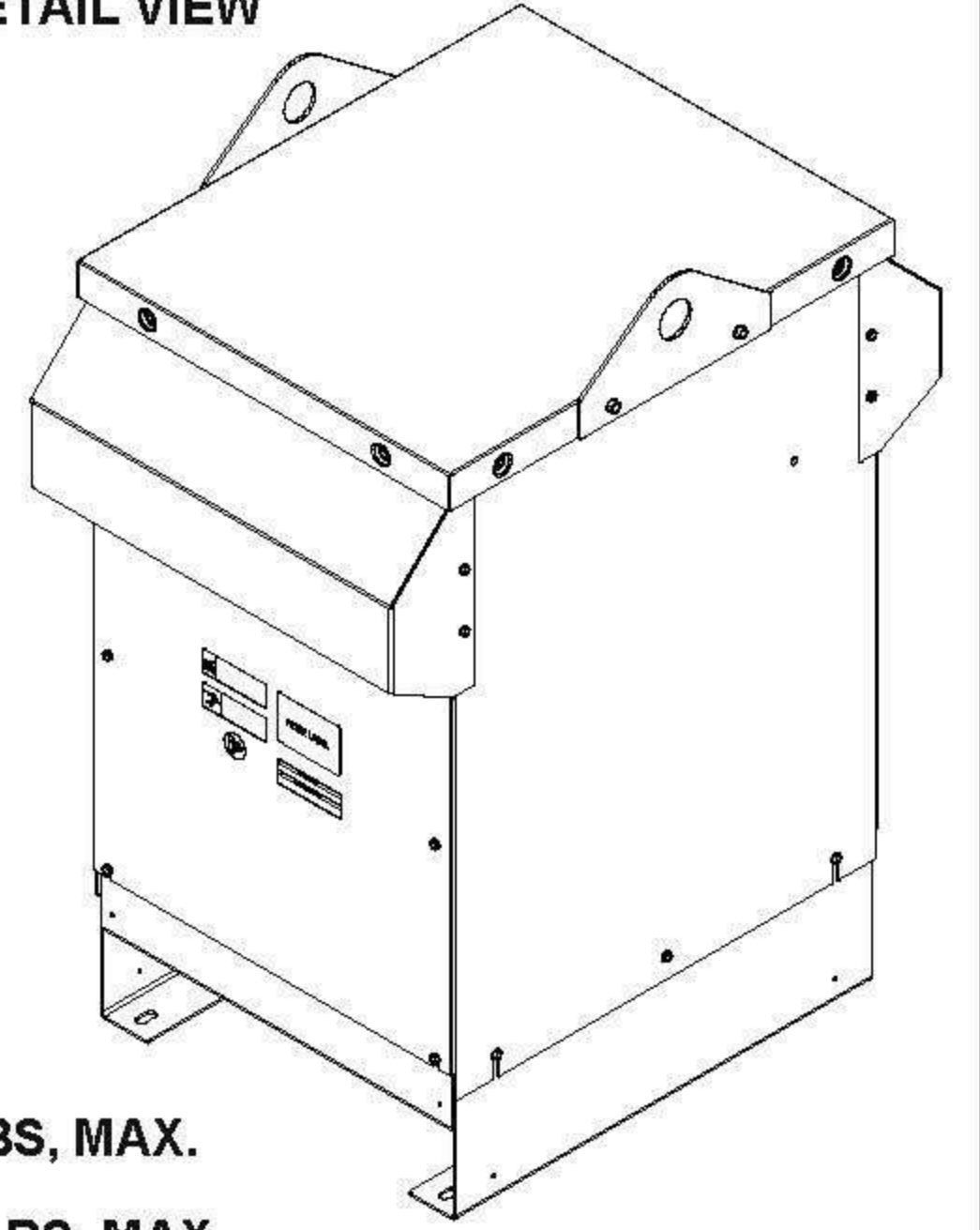


SEE NOTE 4

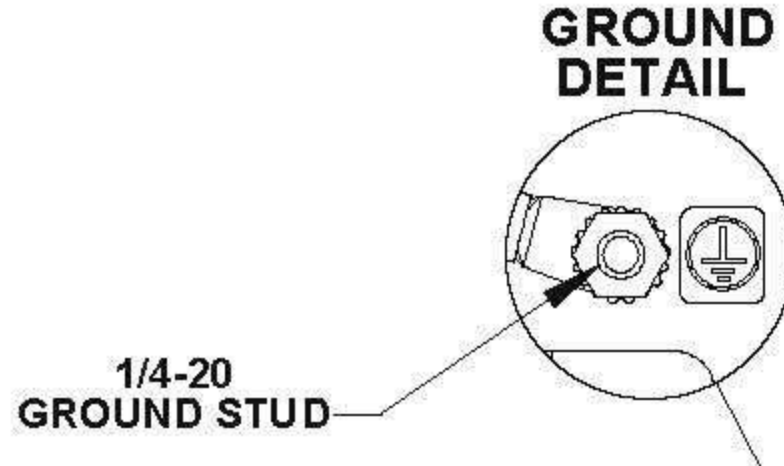
**(FRONT VIEW)
FIELD TERMINAL
DETAIL
(6 PLACES)
(U1, U2, V1, V2, W1, W2)**



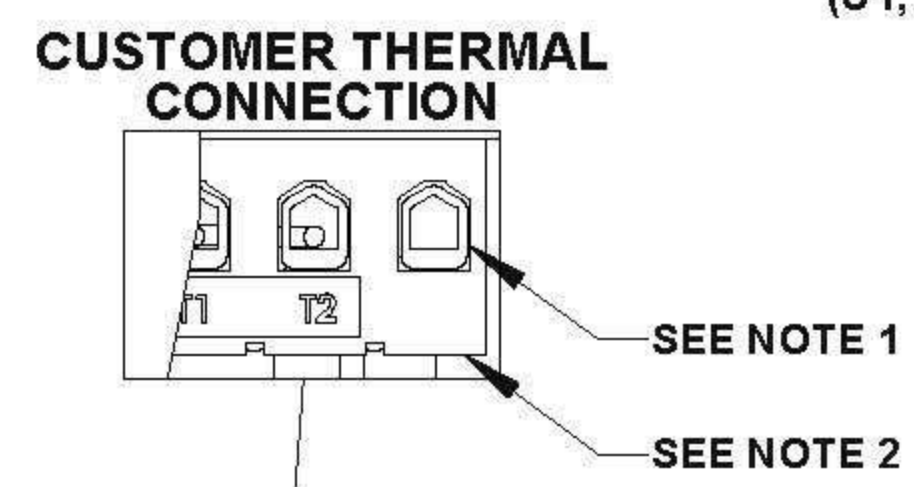
**CUSTOMER CONNECTION
DETAIL VIEW**



BOTTOM VIEW



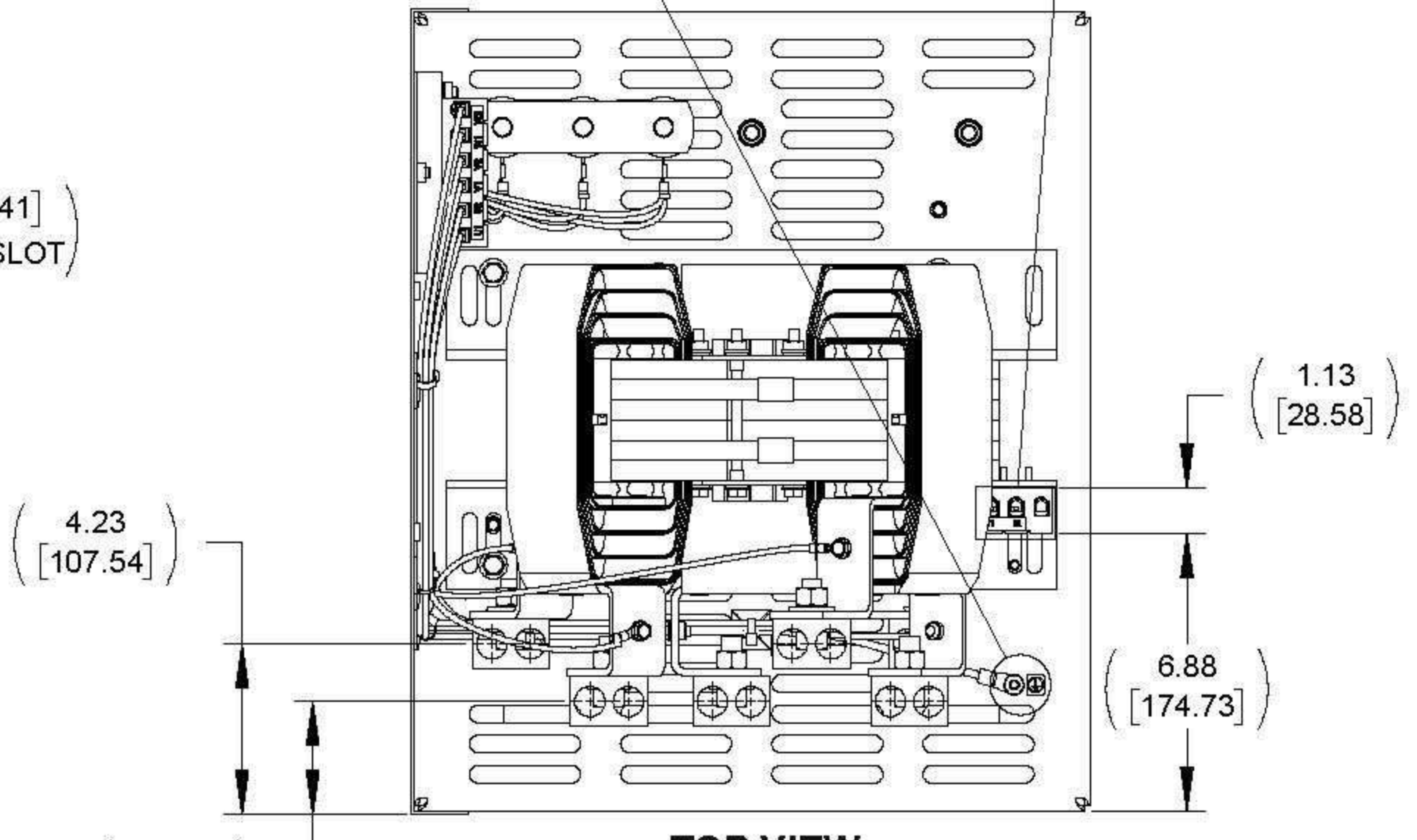
**GROUND
DETAIL**
1/4-20
GROUND STUD



**CUSTOMER THERMAL
CONNECTION**

SEE NOTE 1

SEE NOTE 2



**TOP VIEW
(PANELS REMOVED)**

NOTES:

1. WIRE RANGE: 4 - 18 AWG.
2. TERMINAL SCREW TIGHTENING TORQUE: 16 IN/LBS, MAX.
3. WIRE RANGE: 350 kcmil - 6 AWG.
4. TERMINAL SCREW TIGHTENING TORQUE: 500 IN/LBS, MAX.

THE COMPONENT, PART OR ASSEMBLY DESCRIBED IN THIS DOCUMENT MUST COMPLY WITH THE EU (EUROPEAN UNION) DIRECTIVE RoHS2

CONTAINS <0.1% OF ANY SVHC BY WEIGHT PER REACH REGULATION

UNLESS OTHERWISE SPECIFIED DIMENSIONS ARE IN INCHES (MM) TOLERANCES ARE:

ANGLES: ± 1°

1 PLACE .X: ± .1 [2.5]

2 PLACE .XX: ± .03 [0.76]

3 PLACE .XXX: ± .010 [0.254]



N83 W1 3330 Leon Road
Menomonee Falls, WI 53051 USA
800.455.4693
262.253.8200

MATERIAL	
DRAWN	DATE
MM	07/31/14
CHECKED	DATE
RH	03/18/15
APPROVED	DATE
RH	03/18/15

CONFIDENTIAL AND PROPRIETARY INFORMATION
THIS DOCUMENT CONTAINS CONFIDENTIAL AND PROPRIETARY INFORMATION OF MTE CORPORATION AND MAY NOT BE USED, COPIED OR DISCLOSED TO OTHERS EXCEPT WITH THE AUTHORIZED WRITTEN PERMISSION OF MTE CORPORATION

DESCRIPTION		
DV SENTRY 250A 380-600V FILTER, NEMA 3R ENCL.		
SIZE	DWG No.	REV
D	CD DVSW0250E	02
SCALE	1:4	SHEET 1 OF 1