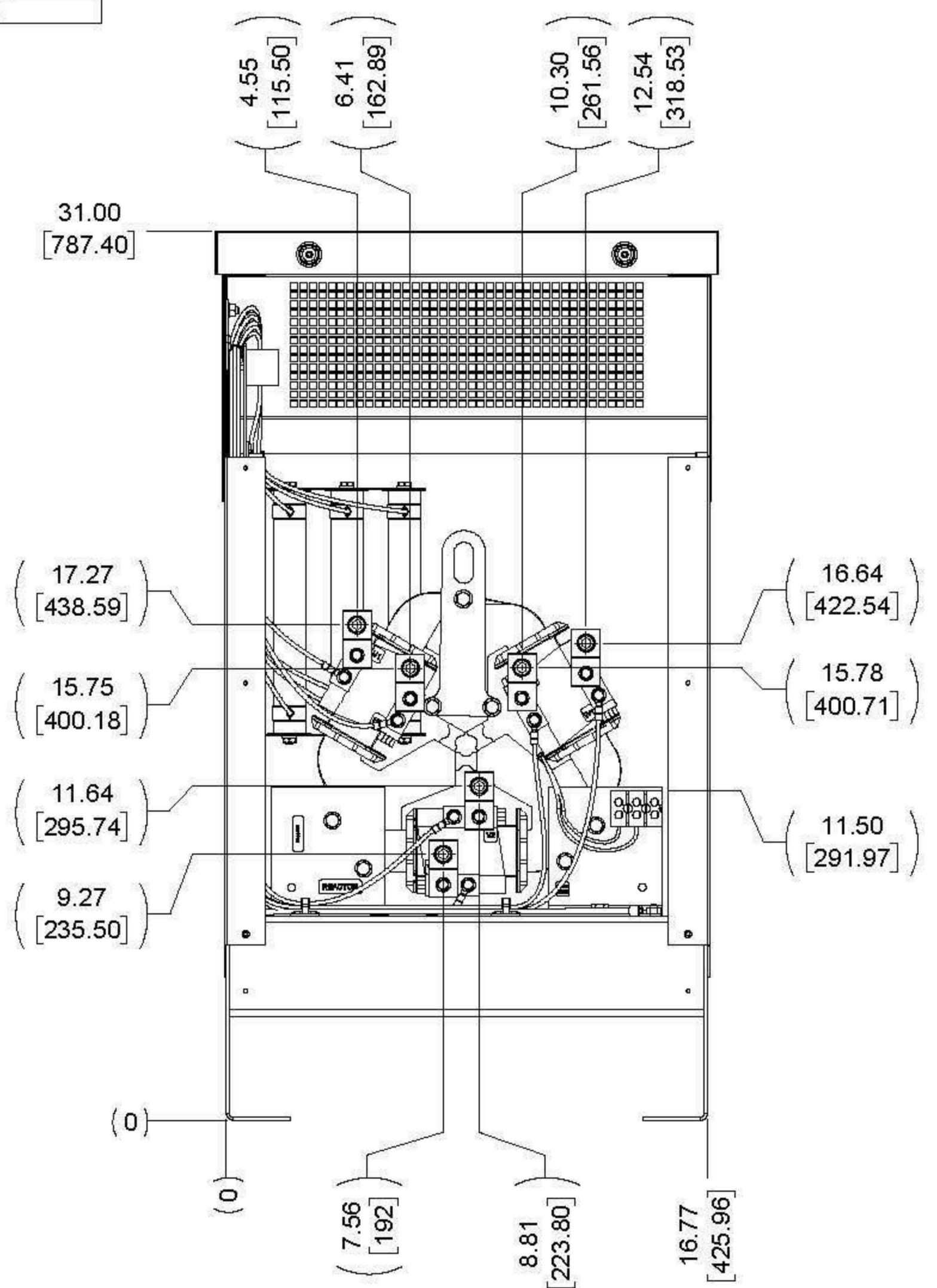
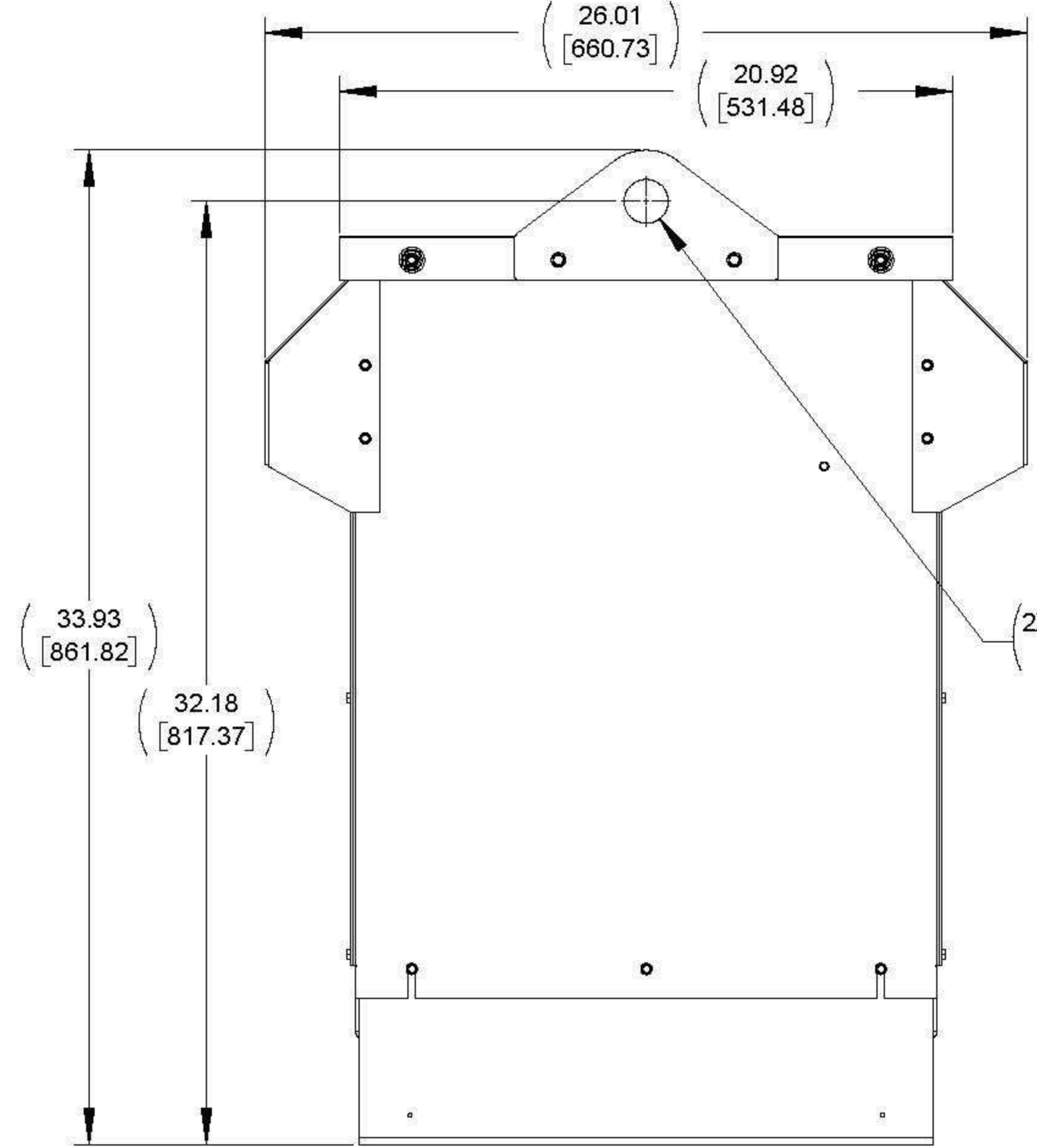


APPROX WEIGHT
(LBS.)
161

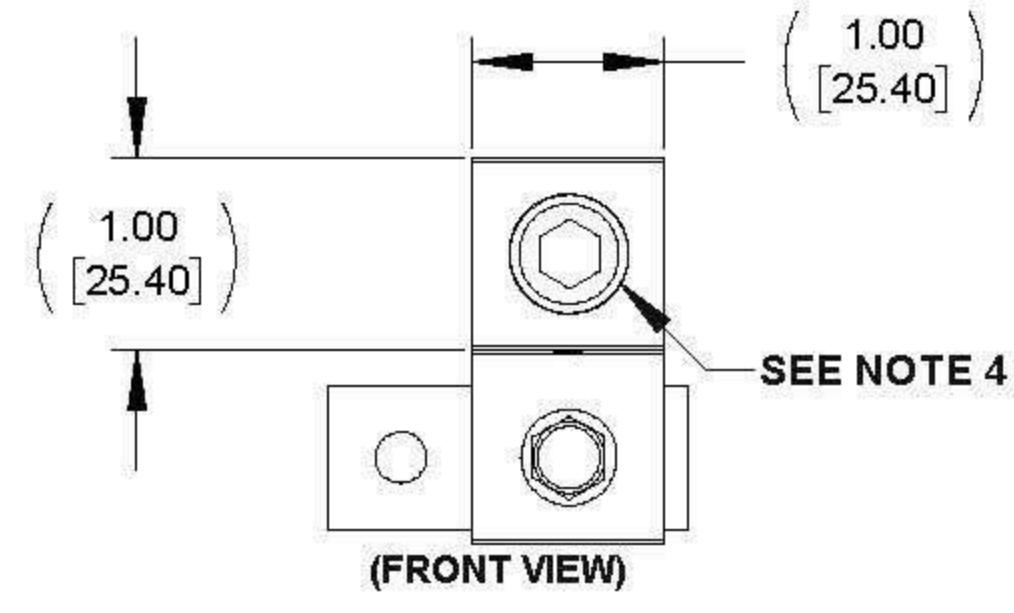
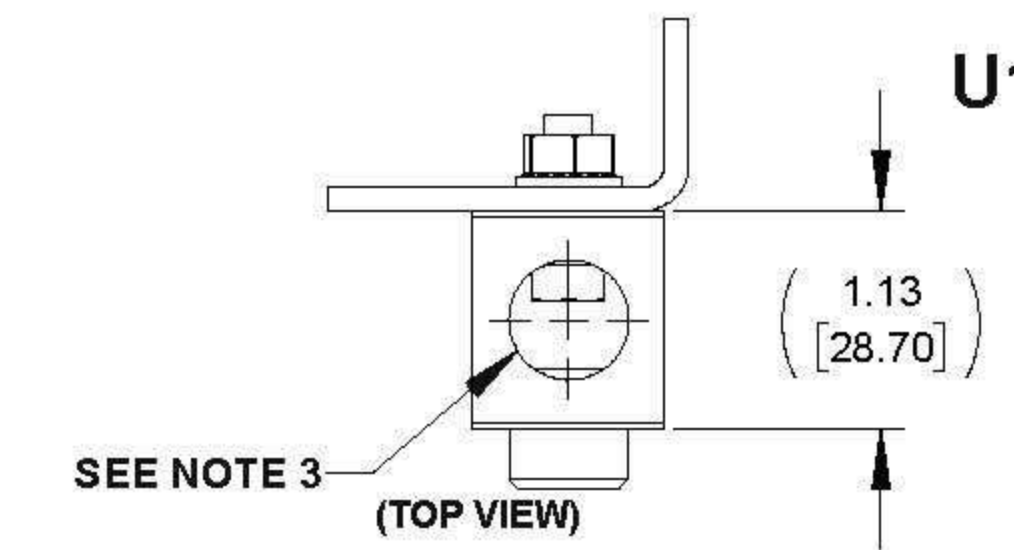
ECO No	DESCRIPTION	REV BY	DATE
M9346	LABEL GRAPHICS UPDATED	JT	10/21/14



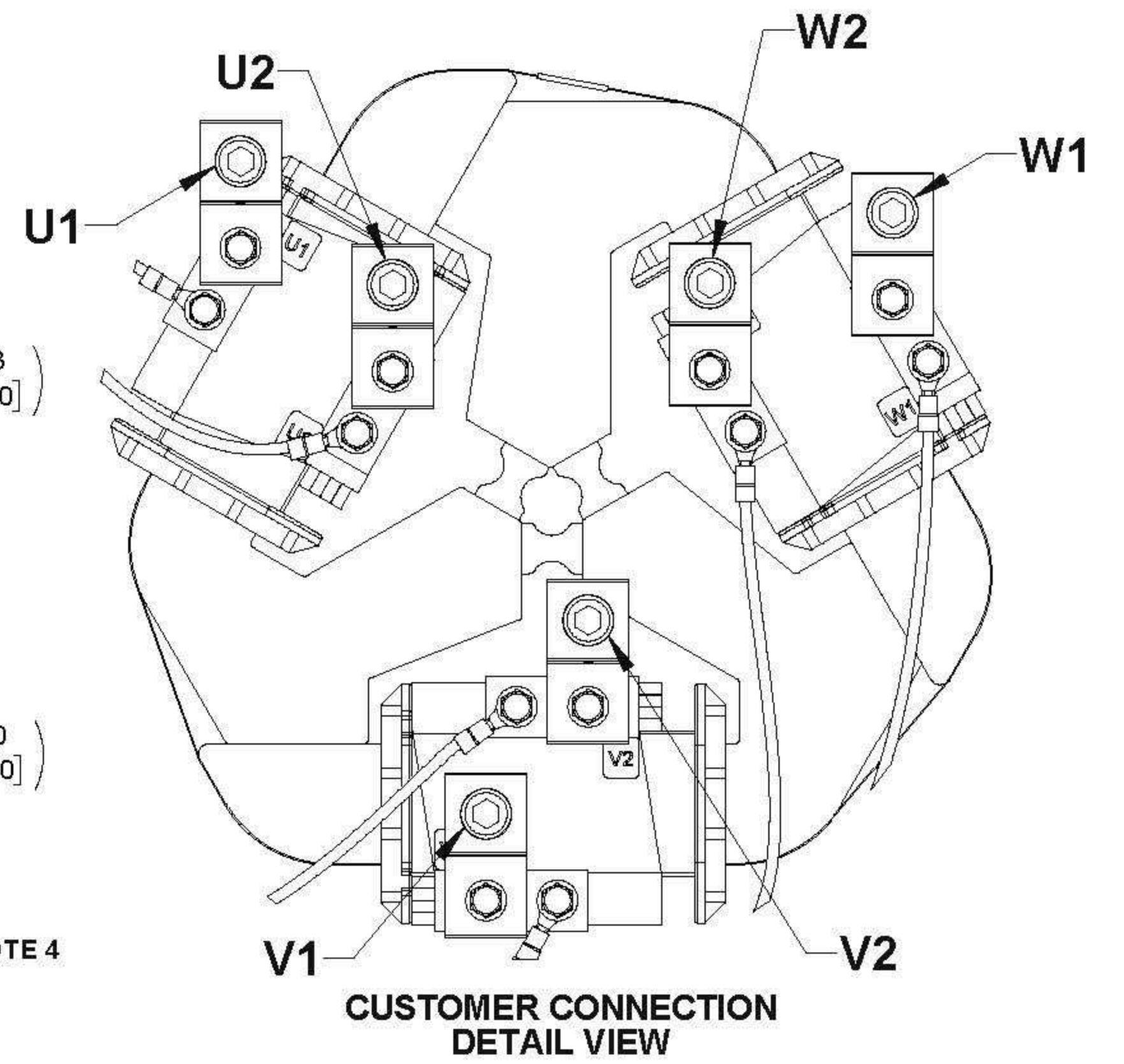
FRONT VIEW
(PANEL REMOVED)



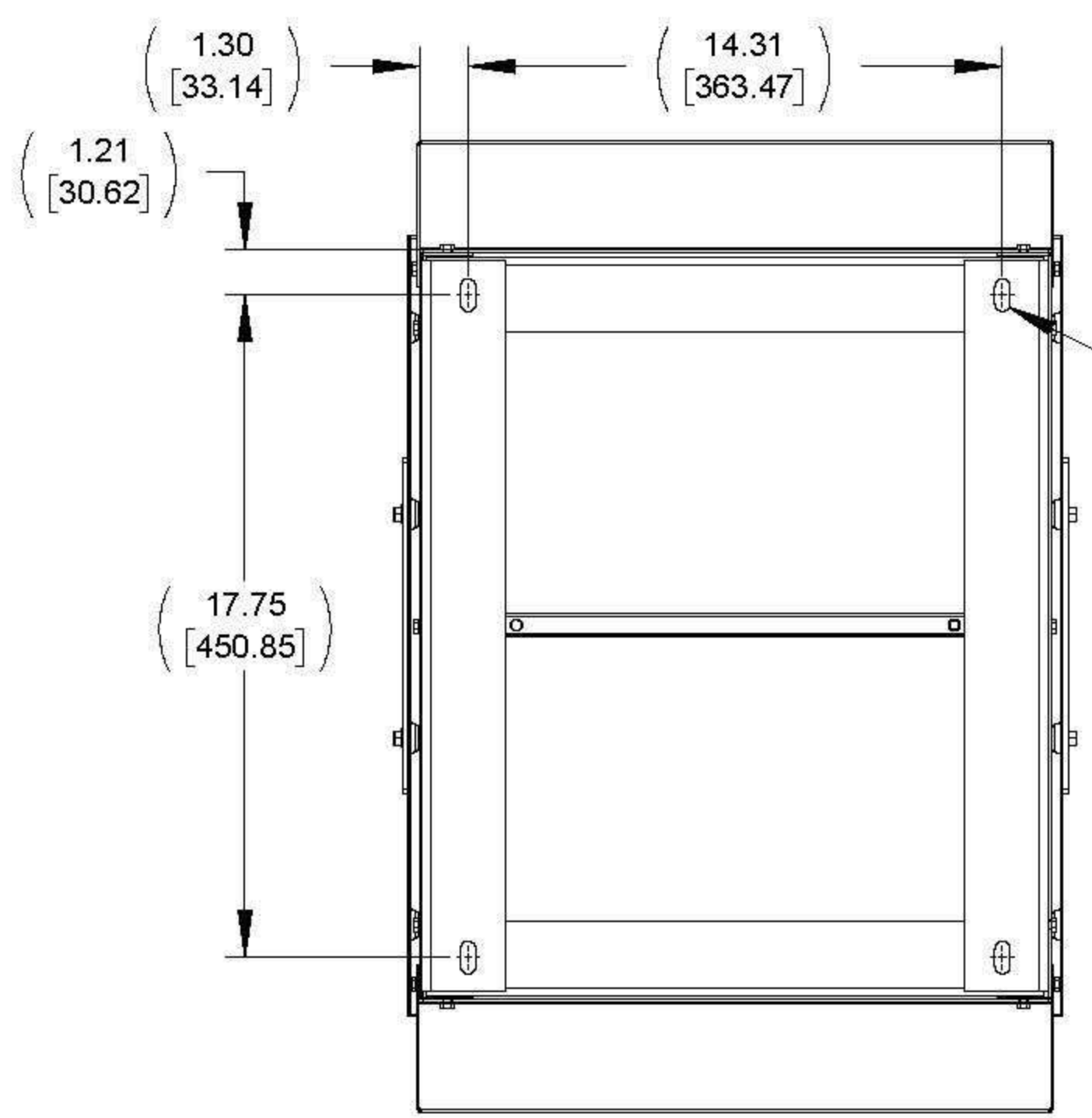
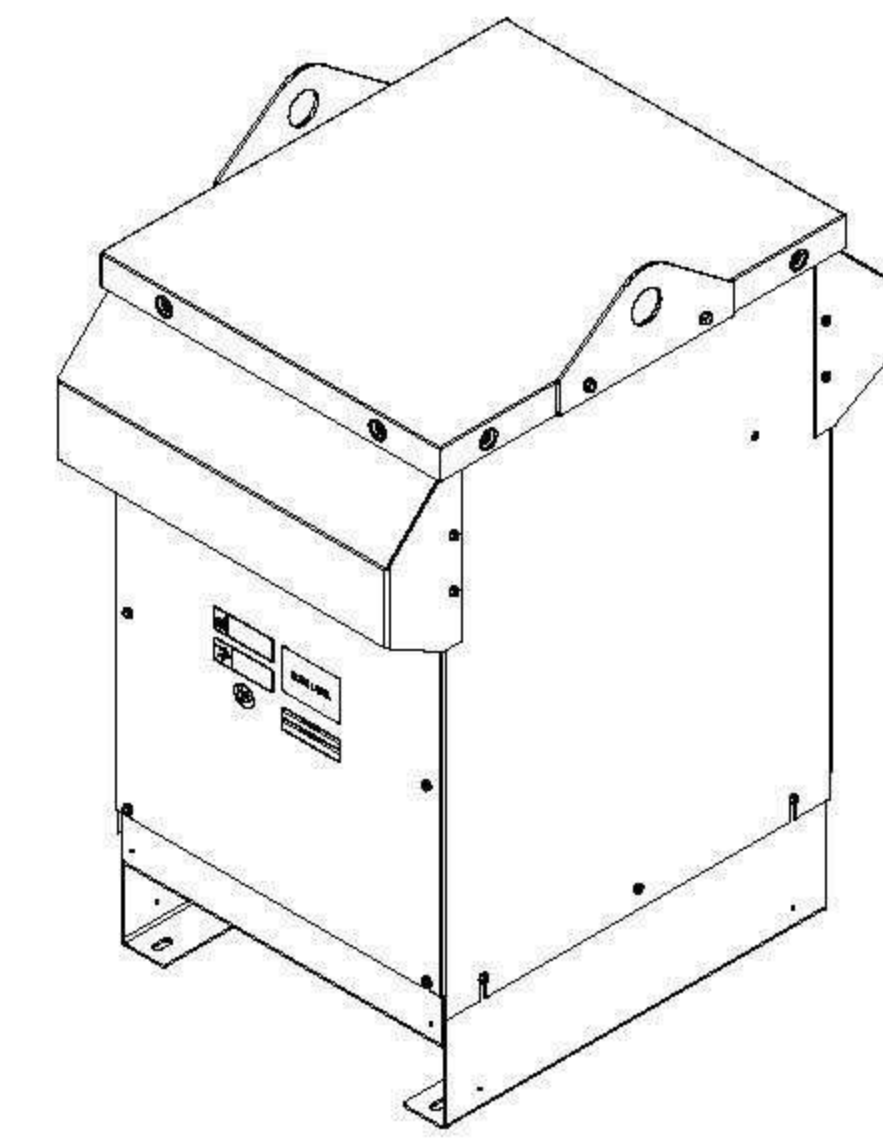
SIDE VIEW



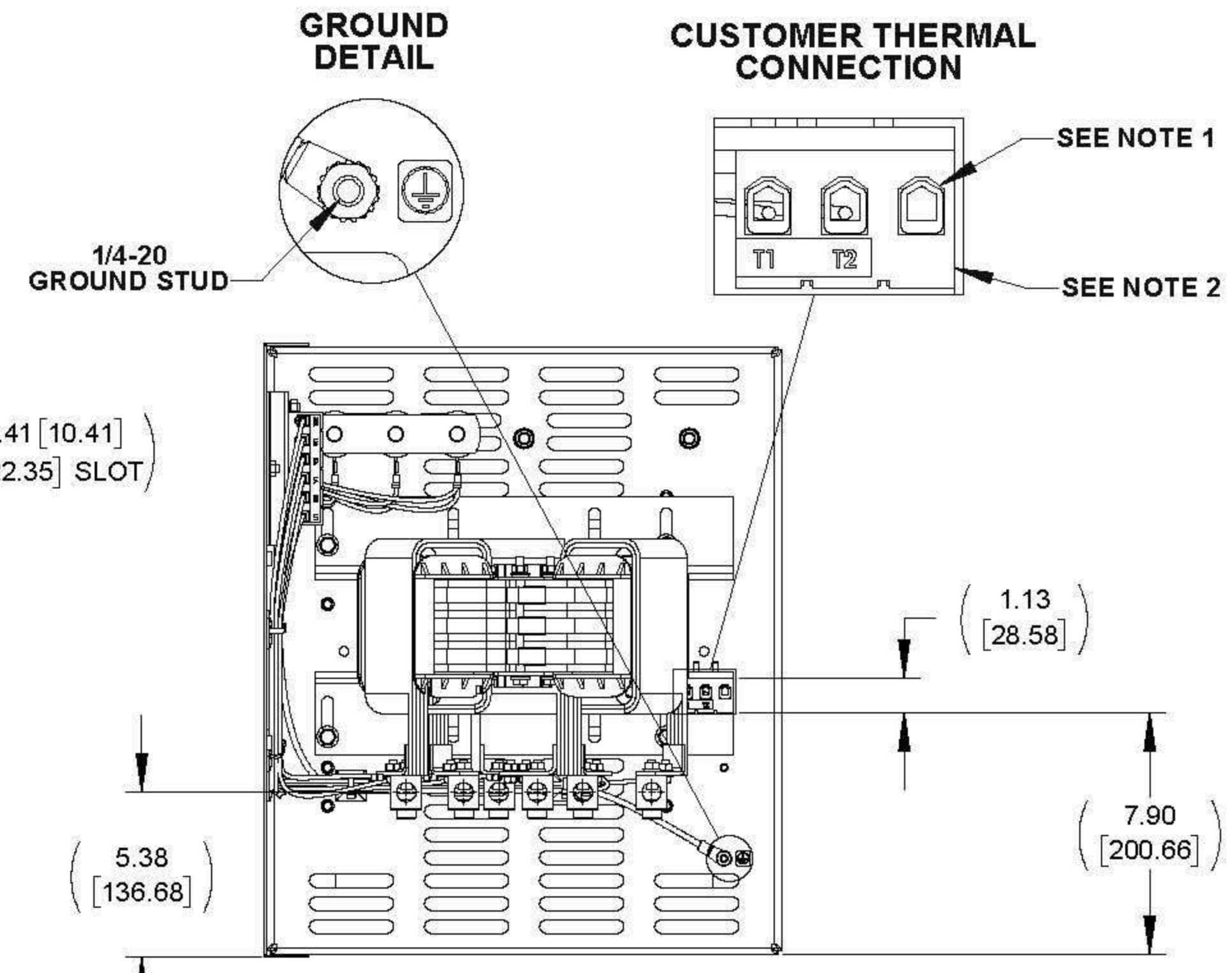
FIELD TERMINAL
DETAIL
(6 PLACES)
(U1, U2, V1, V2, W1, W2)



CUSTOMER CONNECTION
DETAIL VIEW



BOTTOM VIEW



TOP VIEW
(PANELS REMOVED)

NOTES:

1. WIRE RANGE: 4 - 18 AWG
2. TERMINAL SCREW TIGHTENING TORQUE: 16 IN/LBS, MAX.
3. WIRE RANGE: 250 kcmil - 6 AWG
4. TERMINAL SCREW TIGHTENING TORQUE: 275 IN/LBS, MAX.

THE COMPONENT, PART OR ASSEMBLY DESCRIBED IN THIS DOCUMENT MUST COMPLY WITH THE EU (EUROPEAN UNION) DIRECTIVE RoHS2		MATERIAL		CONFIDENTIAL AND PROPRIETARY INFORMATION THIS DOCUMENT CONTAINS CONFIDENTIAL AND PROPRIETARY INFORMATION OF MTE CORPORATION AND MAY NOT BE USED, COPIED OR DISCLOSED TO OTHERS EXCEPT WITH THE AUTHORIZED WRITTEN PERMISSION OF MTE CORPORATION	
CONTAINS <0.1% OF ANY SVHC BY WEIGHT PER REACH REGULATION				DESCRIPTION	
UNLESS OTHERWISE SPECIFIED DIMENSIONS ARE IN INCHES (MM) TOLERANCES ARE:		DRAWN		DV SENTRY 200A 380-600V FILTER, NEMA 3R ENCL.	
ANGLES: ± 1°		DATE		SIZE	
1 PLACE .X: ± .1 [2.5]		07/25/14		D	
2 PLACE .XX: ± .03 [0.76]		CHECKED		DWG No.	
3 PLACE .XXX: ± .010 [0.254]		DATE		CD DVSW0200E	
		10/22/14		REV	
		APPROVED		01	
		DATE		SCALE	
		10/22/14		1:4	
		TM		SHEET 1 OF 1	

