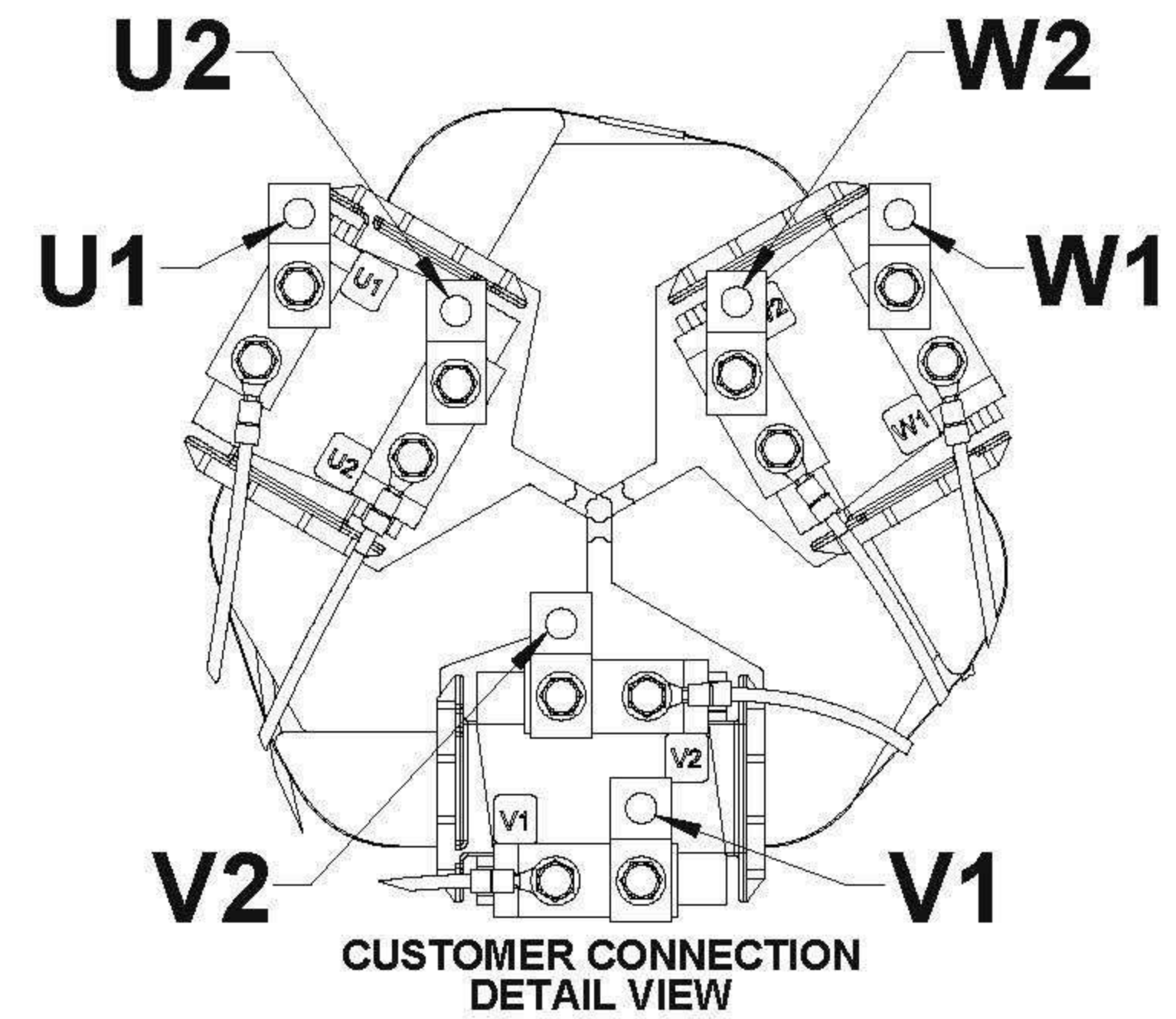
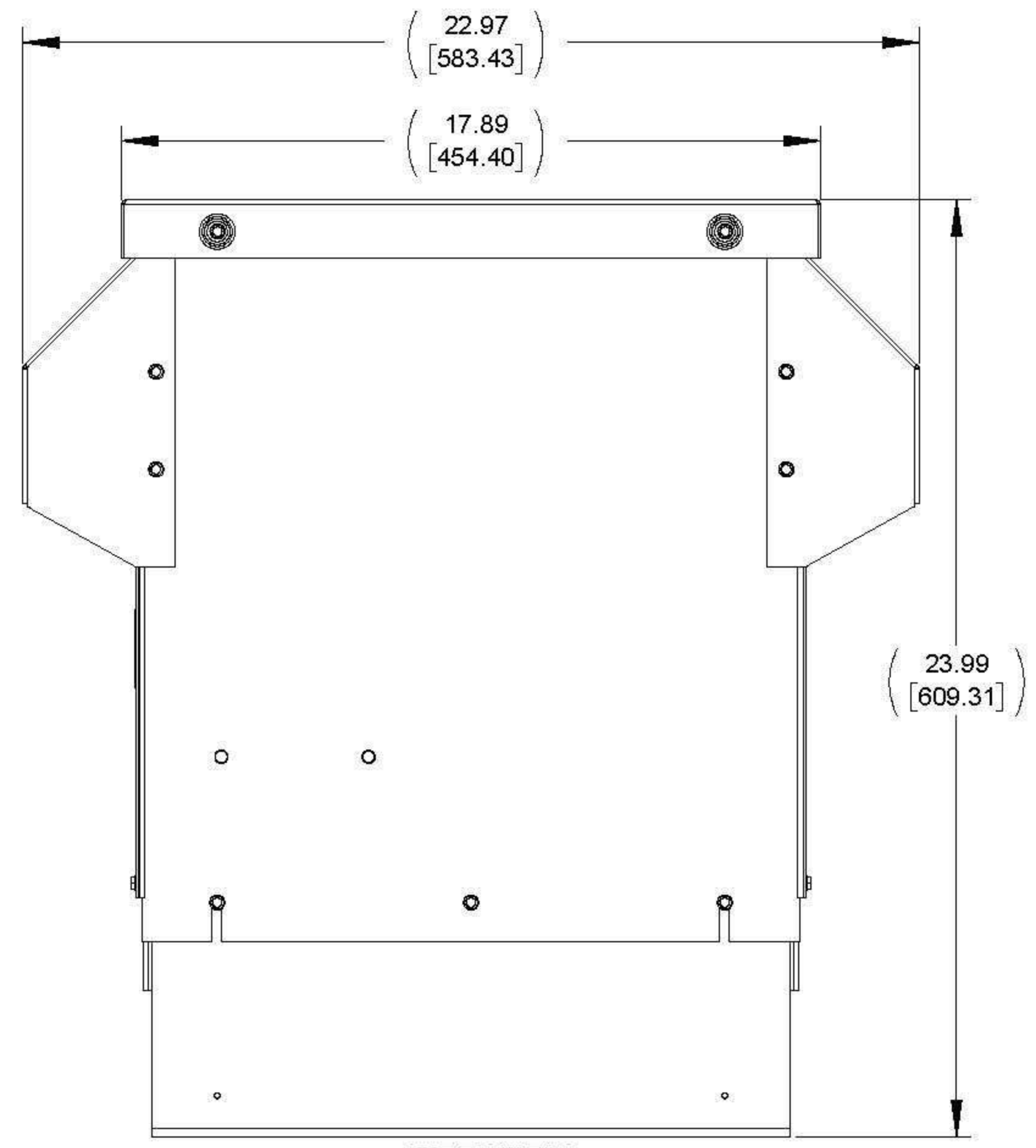
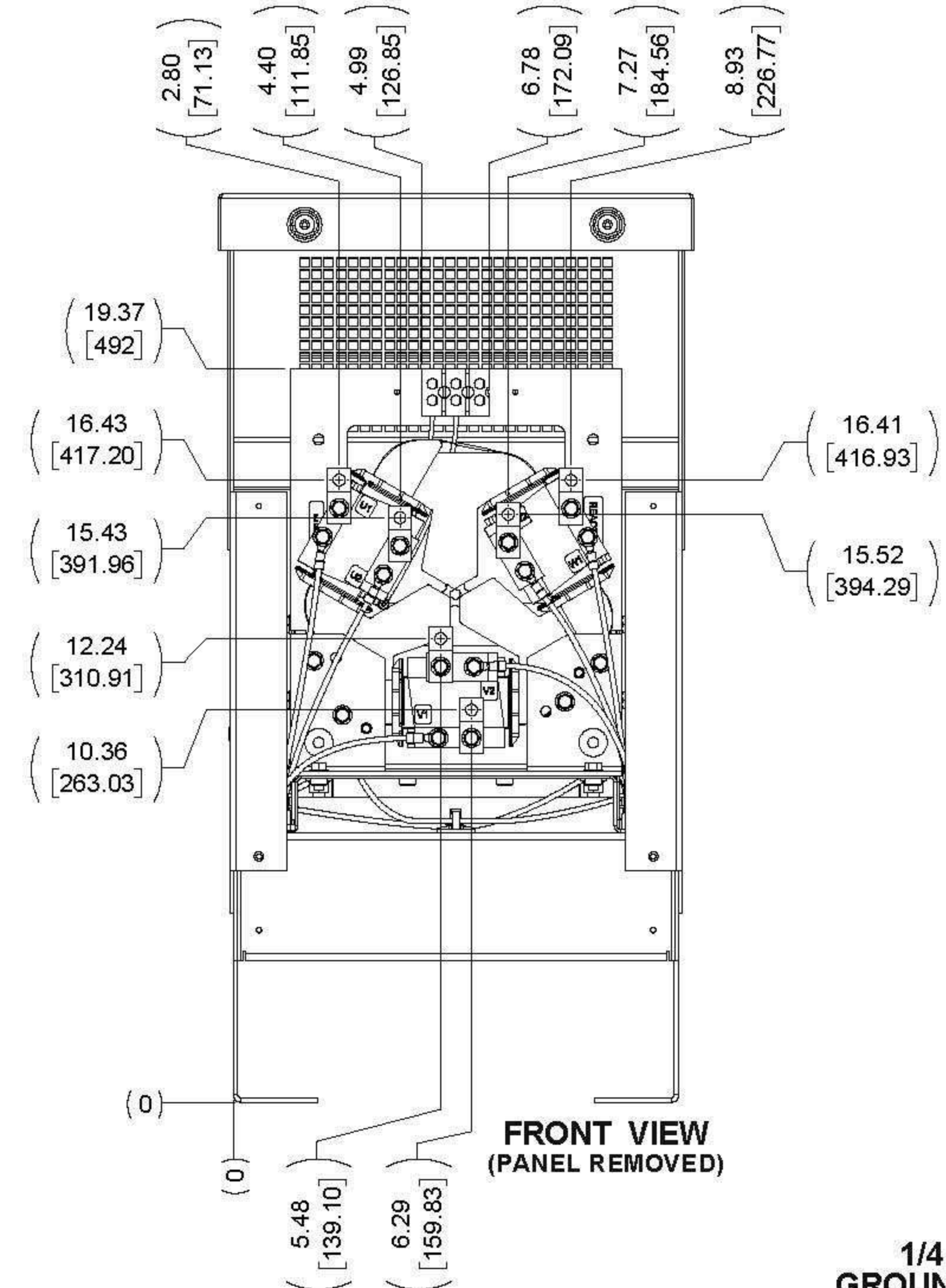
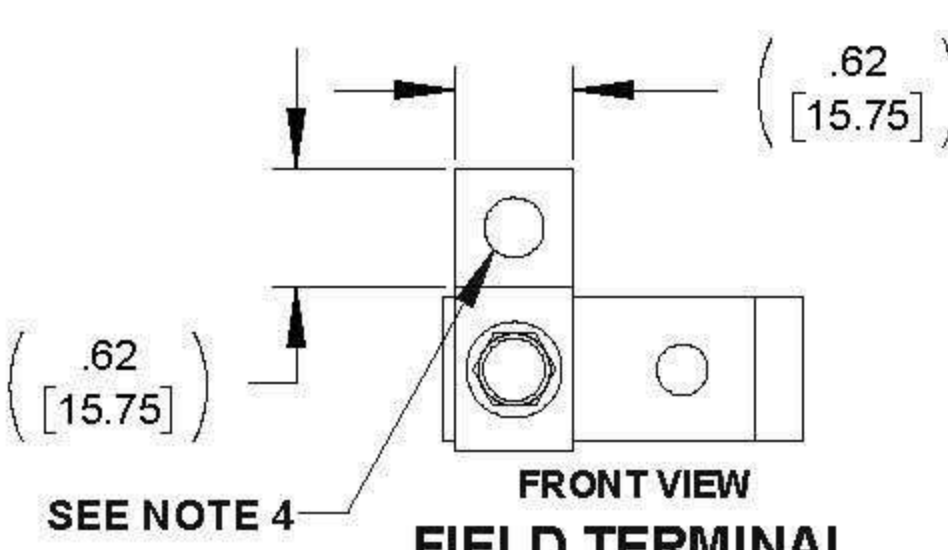
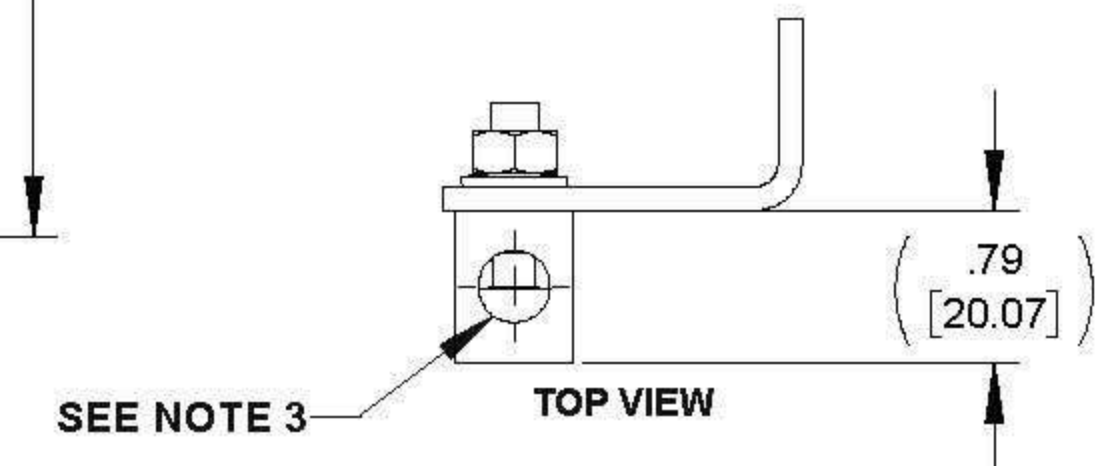


APPROX WEIGHT (LBS)
90

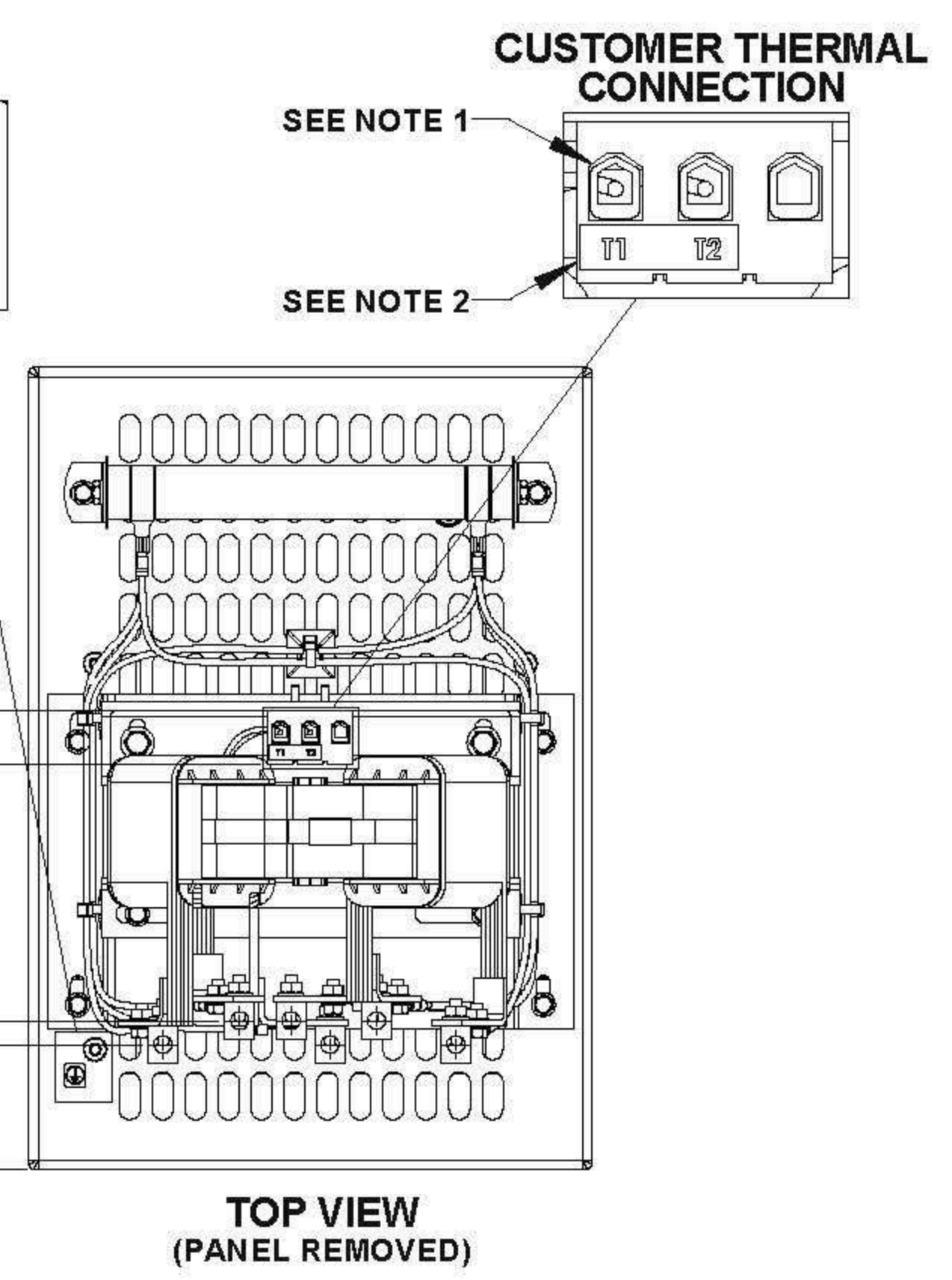
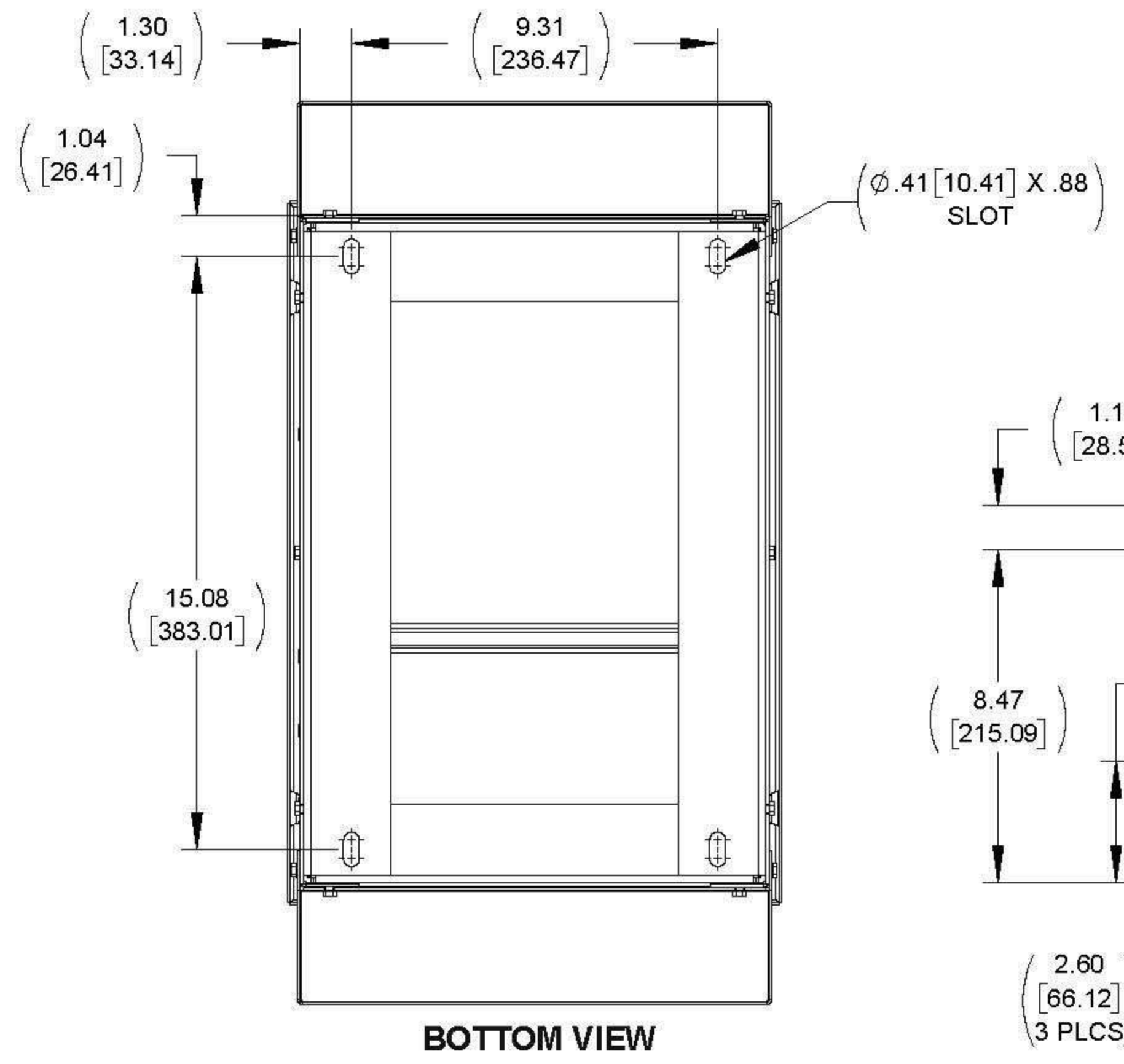
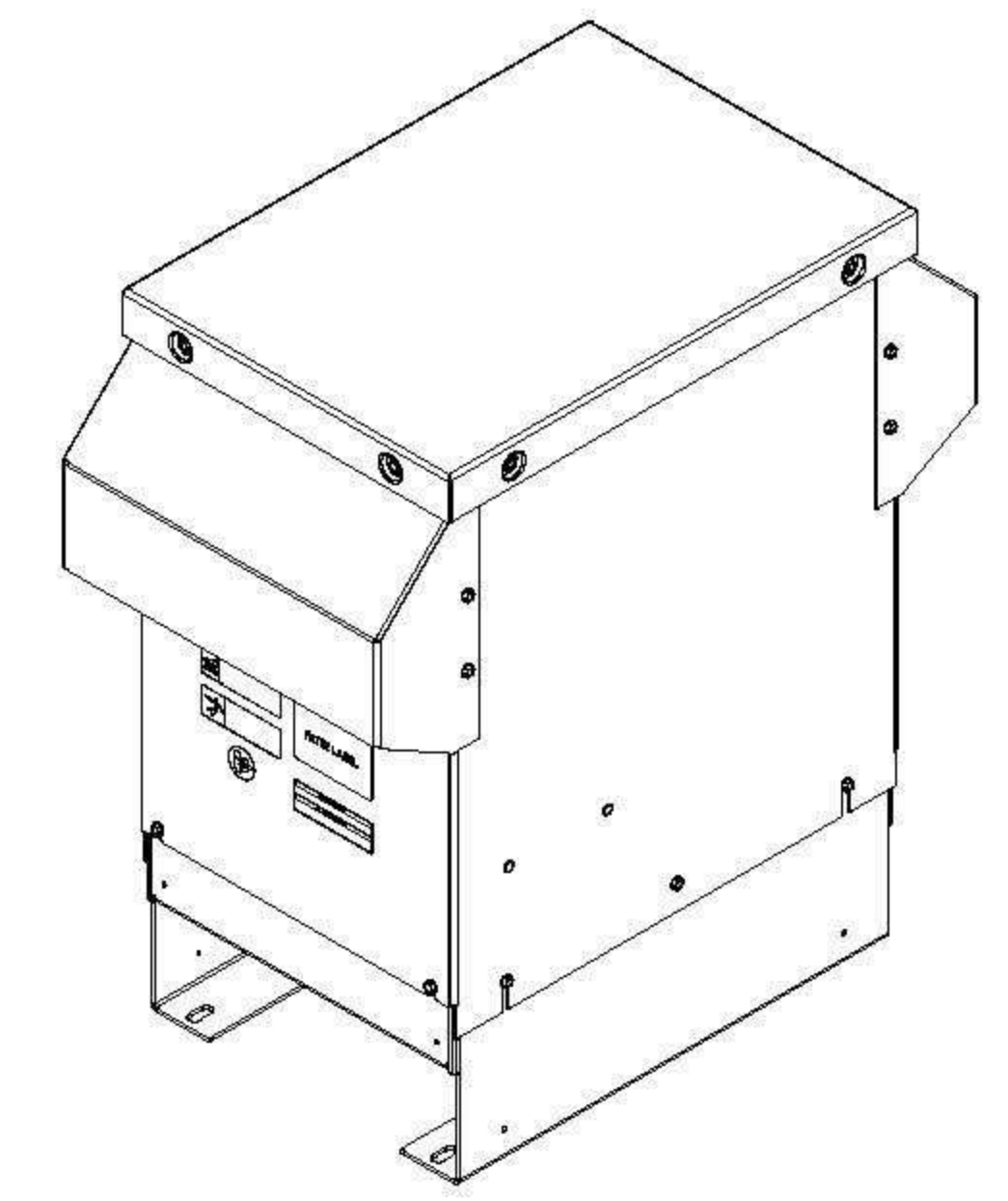
ECO No	DESCRIPTION	REV BY	DATE
M10014	ADDED MOUNTING HARDWARE TO REACTOR	MN	12/01/16



CUSTOMER CONNECTION
DETAIL VIEW



FIELD TERMINAL
DETAIL
(6 PLACES)
(U1, U2, V1, V2, W1, W2)




TOP VIEW
(PANEL REMOVED)

BOTTOM VIEW

NOTES:

1. WIRE RANGE: 4 - 18 AWG.
2. TERMINAL SCREW TIGHTENING TORQUE: 16 IN/LBS
3. WIRE RANGE: 1/0 - 14 AWG.
4. TERMINAL SCREW TIGHTENING TORQUE: (1/0-3AWG) 50 IN/LBS, (4-6AWG) 45 IN/LBS, (8AWG) 40 IN/LBS, (10-14AWG) 35 IN/LBS

THE COMPONENT, PART OR ASSEMBLY DESCRIBED IN THIS DOCUMENT MUST COMPLY WITH THE EU (EUROPEAN UNION) DIRECTIVE RoHS2		MATERIAL		CONFIDENTIAL AND PROPRIETARY INFORMATION THIS DOCUMENT CONTAINS CONFIDENTIAL AND PROPRIETARY INFORMATION OF MTE CORPORATION AND MAY NOT BE USED, COPIED OR DISCLOSED TO OTHERS EXCEPT WITH THE AUTHORIZED WRITTEN PERMISSION OF MTE CORPORATION	
CONTAINS <0.1% OF ANY SVHC BY WEIGHT PER REACH REGULATION				DESCRIPTION	
UNLESS OTHERWISE SPECIFIED DIMENSIONS ARE IN INCHES (MM) TOLERANCES ARE:				DV SENTRY 110A 380-600V FILTER, NEMA 3R ENCL.	
ANGLES: ± 1°		DRAWN JT		DATE 06/10/14	
1 PLACE .X: ± .1 [2.5]		CHECKED TM		DATE 01/18/17	
2 PLACE .XX: ± .03 [0.76]		APPROVED TM		DATE 01/18/17	
3 PLACE .XXX: ± .010 [0.254]				SIZE D	
		 N83 W13330 Leon Road Menomonee Falls, WI 53051 USA 800.456.4693 262.253.8200		DWG No. CD DVSW0110E	
		SCALE 1:2		REV 02	
				SHEET 1 OF 1	