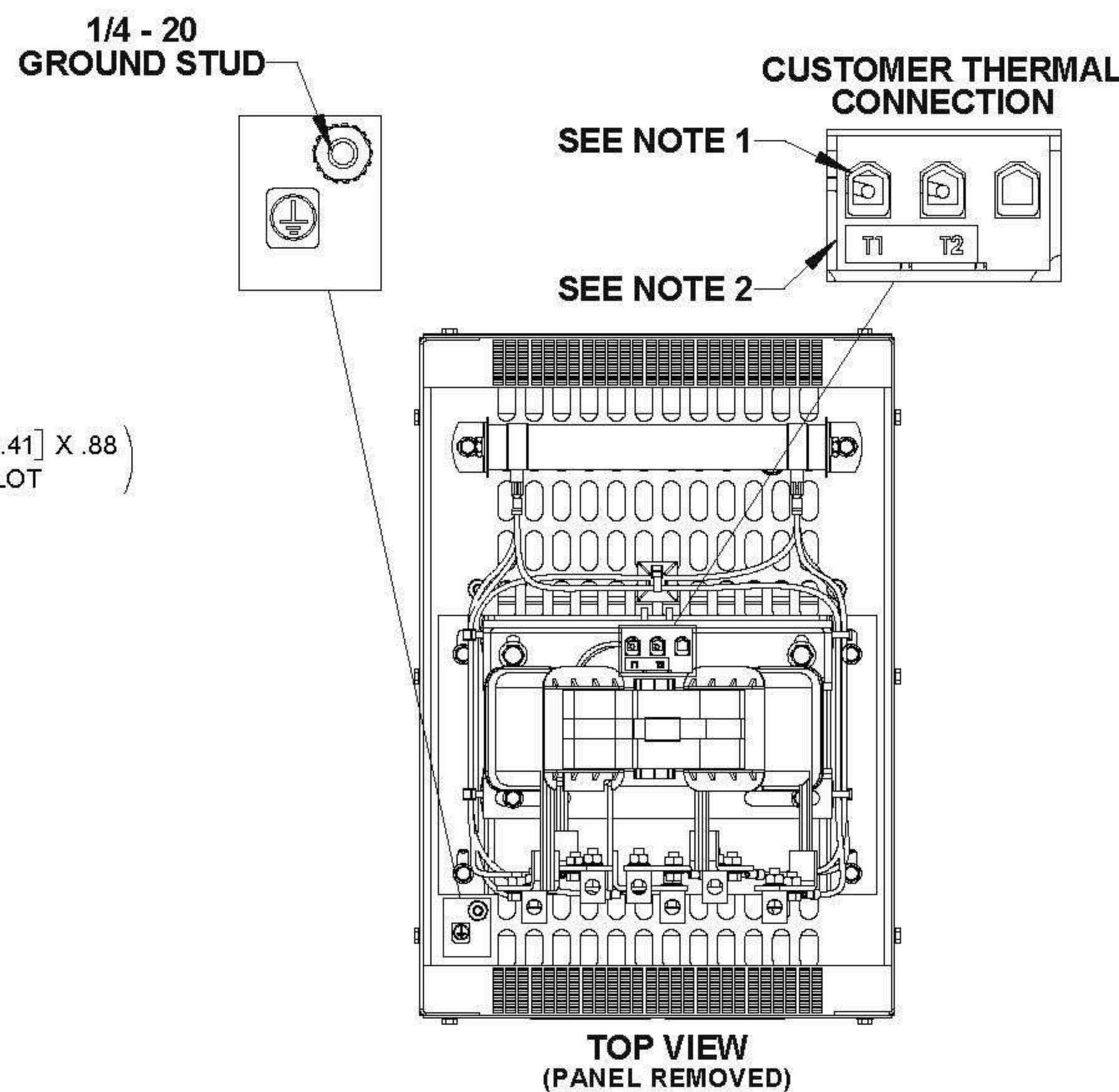
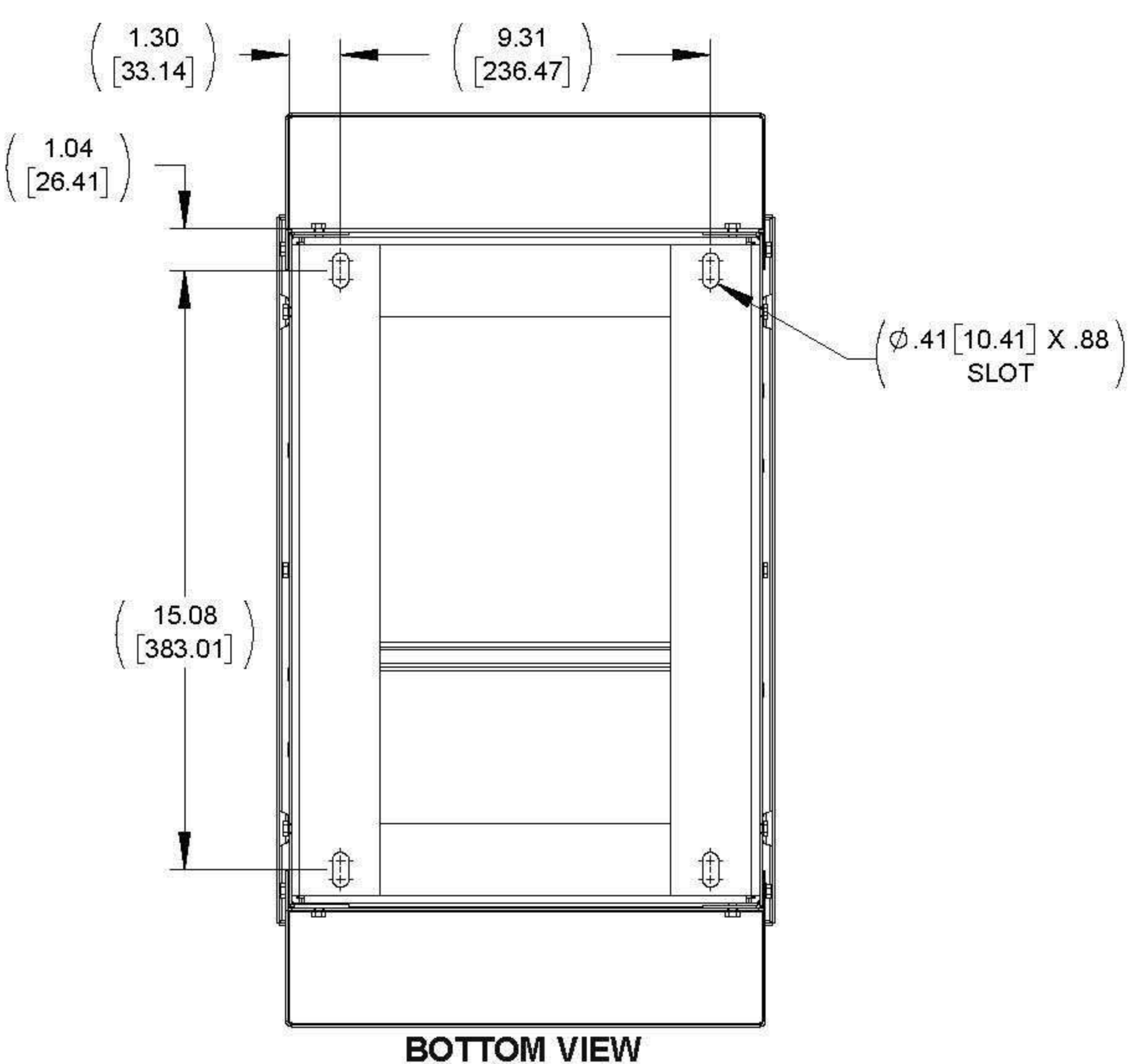
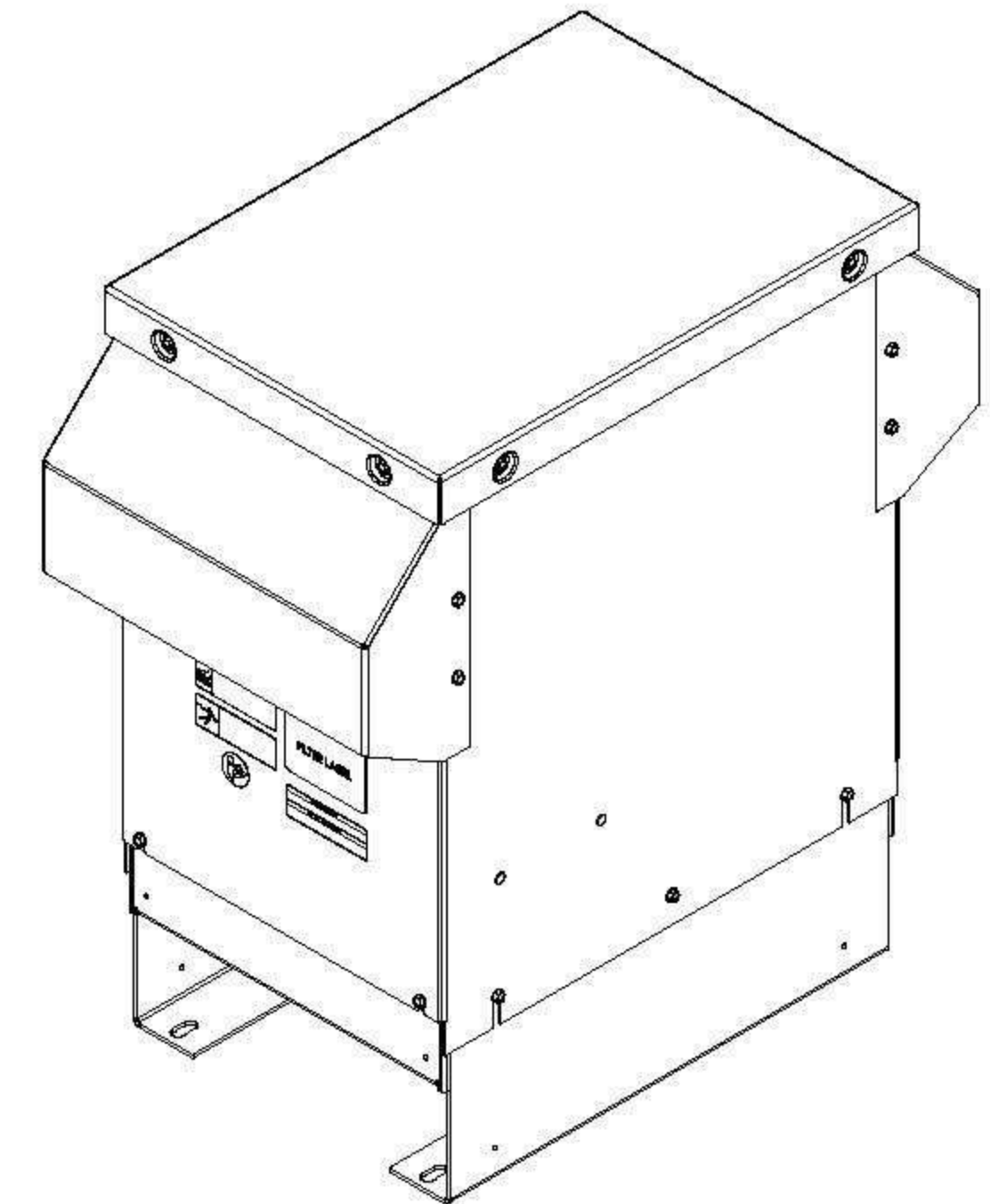
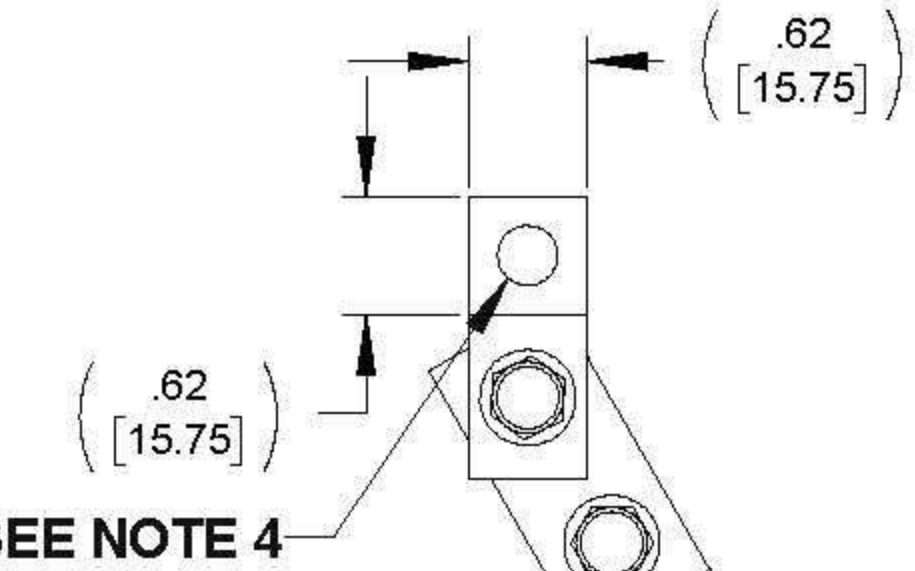
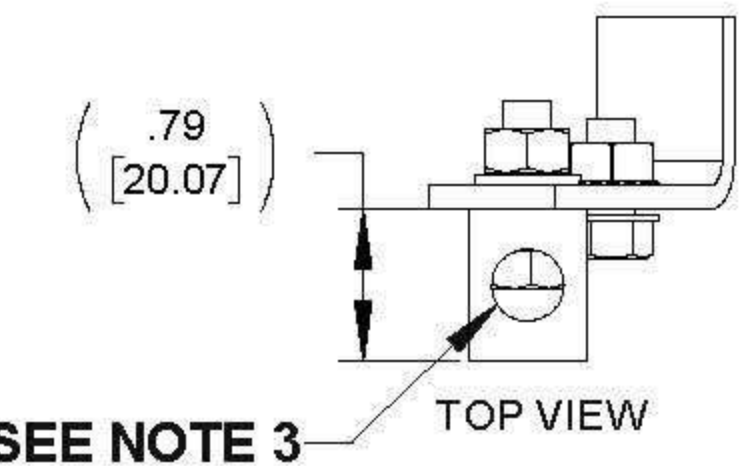
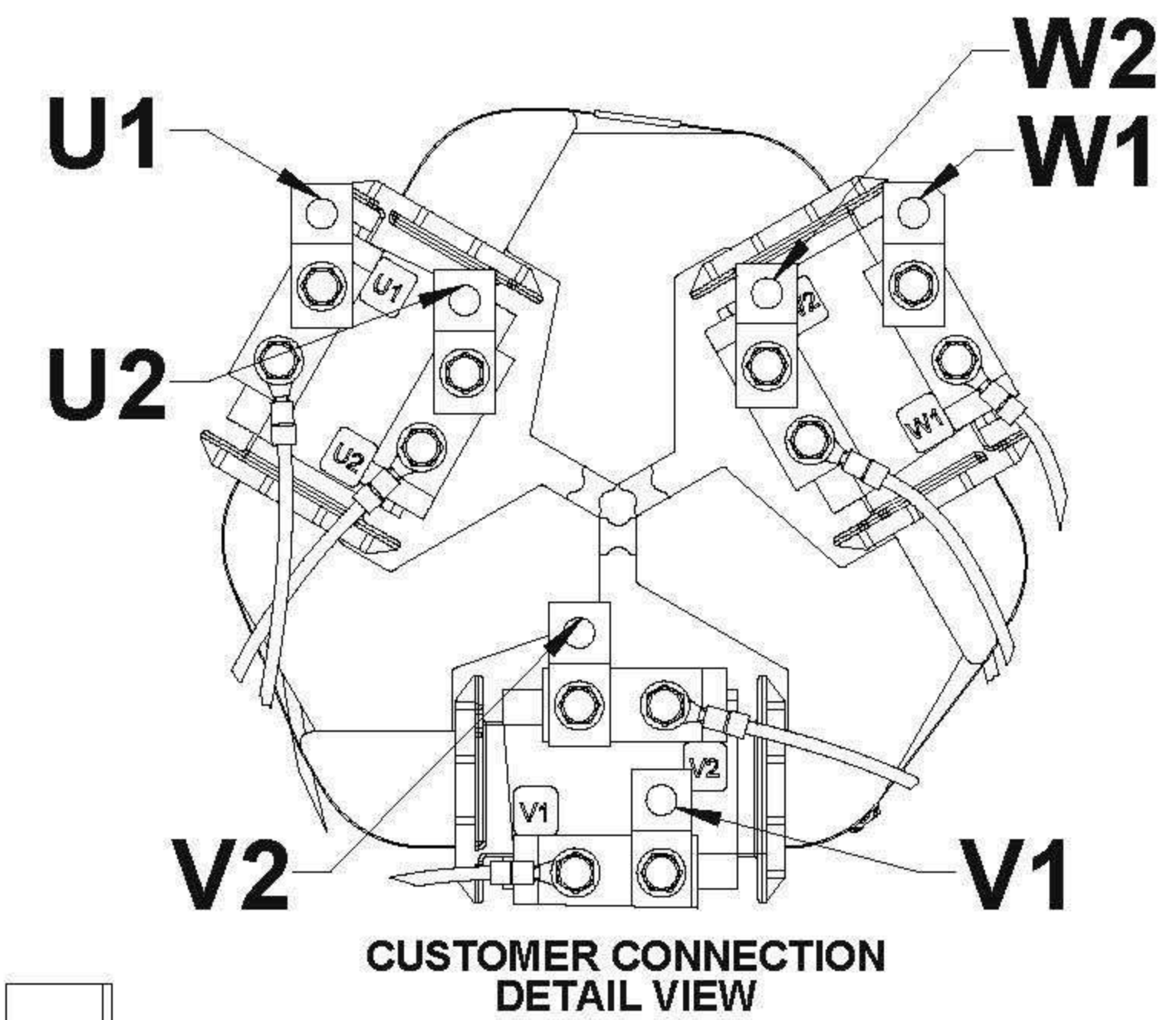
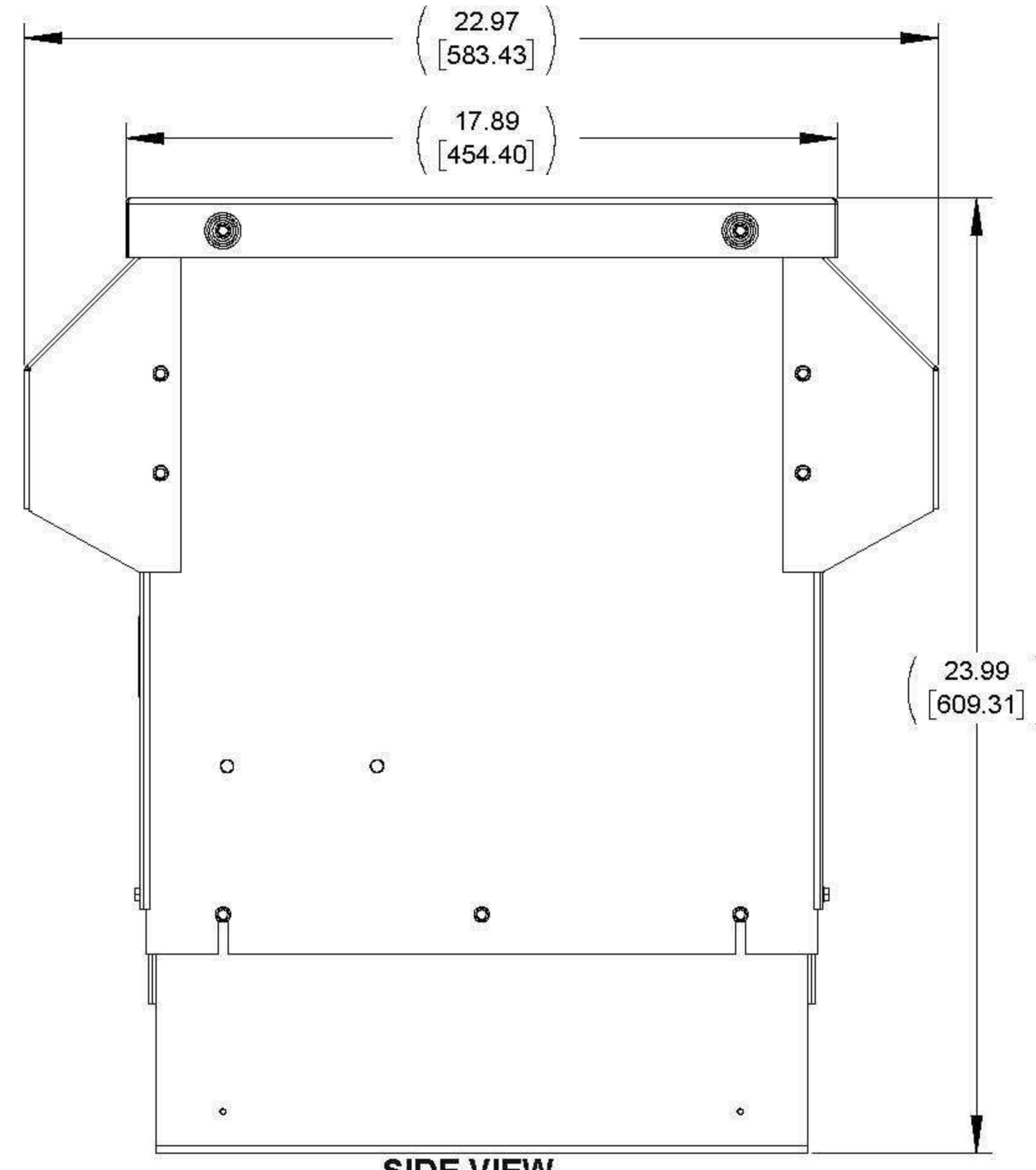
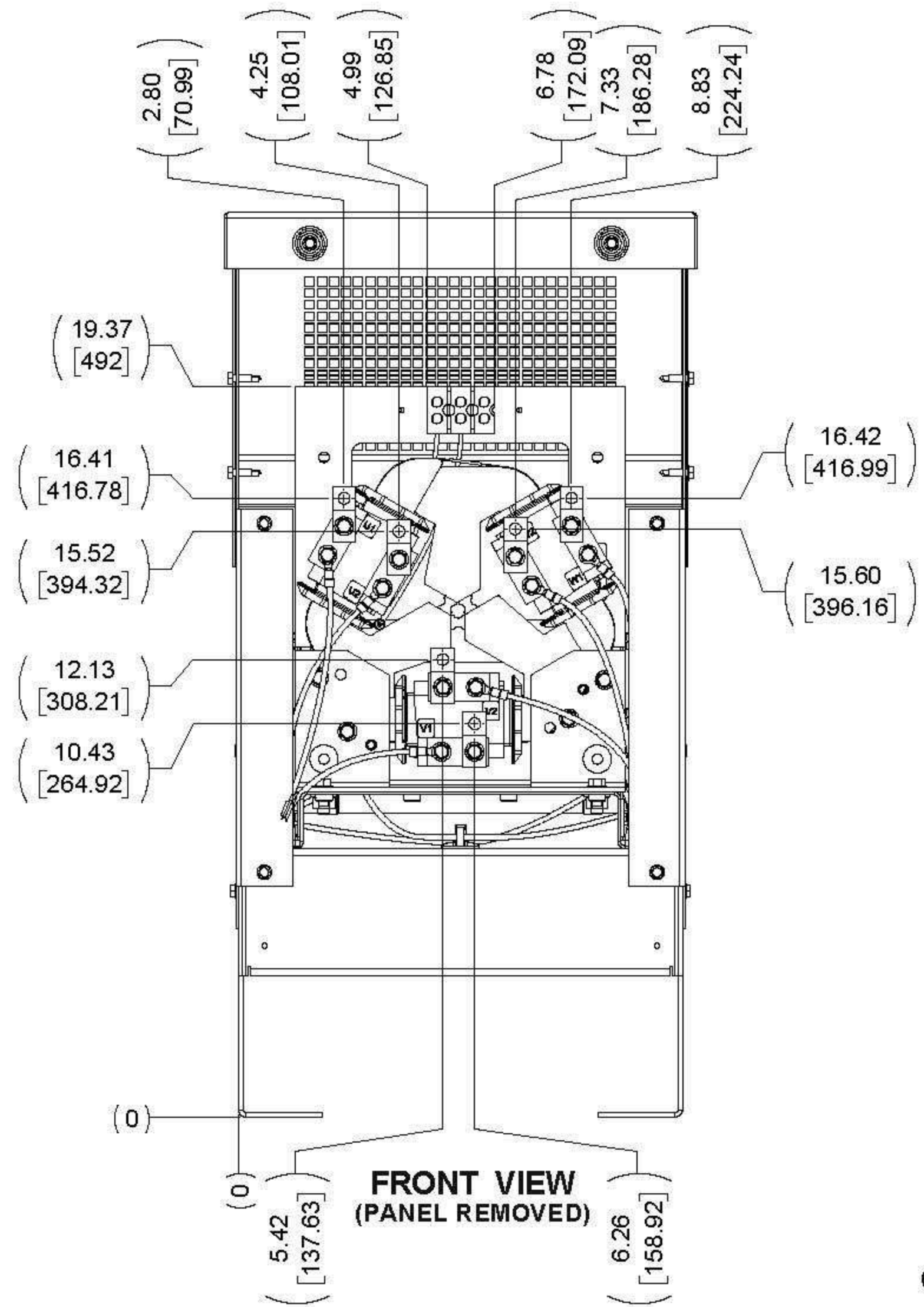


APPROX. WEIGHT (LBS.)
85

ECO No	DESCRIPTION	REVBY	DATE
M10014	ADDED HARDWARE TO REAR OF REACTOR	MN	12/01/16



- NOTES:**
1. WIRE RANGE: 4 - 18 AWG.
 2. TERMINAL SCREW TIGHTENING TORQUE: 16 IN/LBS
 3. WIRE RANGE: 1/0 - 14 AWG.
 4. TERMINAL SCREW TIGHTENING TORQUE: (1/0-3AWG) 50 IN/LBS, (4-6AWG) 45 IN/LBS, (8AWG) 40 IN/LBS, (10-14AWG) 35 IN/LBS

THE COMPONENT, PART OR ASSEMBLY DESCRIBED IN THIS DOCUMENT MUST COMPLY WITH THE EU (EUROPEAN UNION) DIRECTIVE RoHS2		MATERIAL		CONFIDENTIAL AND PROPRIETARY INFORMATION THIS DOCUMENT CONTAINS CONFIDENTIAL AND PROPRIETARY INFORMATION OF MTE CORPORATION AND MAY NOT BE USED, COPIED OR DISCLOSED TO OTHERS EXCEPT WITH THE AUTHORIZED WRITTEN PERMISSION OF MTE CORPORATION	
CONTAINS <0.1% OF ANY SVHC BY WEIGHT PER REACH REGULATION				DESCRIPTION	
UNLESS OTHERWISE SPECIFIED DIMENSIONS ARE IN INCHES (MM) TOLERANCES ARE:		DRAWN		DV SENTRY 65A 380-600V FILTER, NEMA 3R ENCL.	
ANGLES: ± 1°		DATE		SIZE	
1 PLACE .X: ± .1 [2.5]		JT 06/06/14		D	
2 PLACE .XX: ± .03 [0.76]		CHECKED		DWG No.	
3 PLACE .XXX: ± .010 [0.254]		TM 01/18/17		CD DVSW0065E	
		APPROVED		REV	
		TM 01/18/17		02	
		SCALE		SHEET 1 OF 1	
		1:2			



N83 W1 3330 Leon Road
Menomonee Falls, WI 53051 USA
800.455.4693
262.253.8200