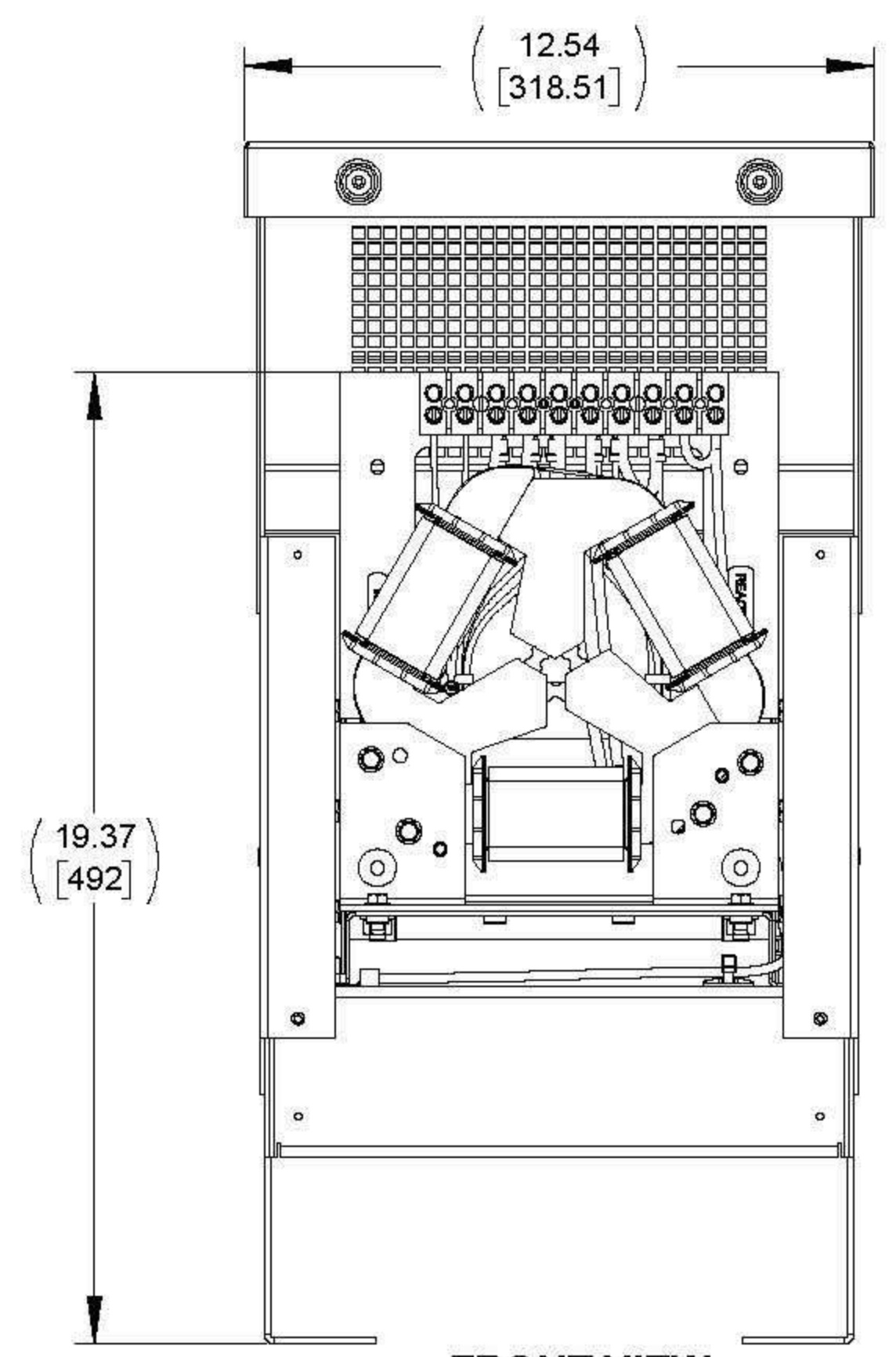
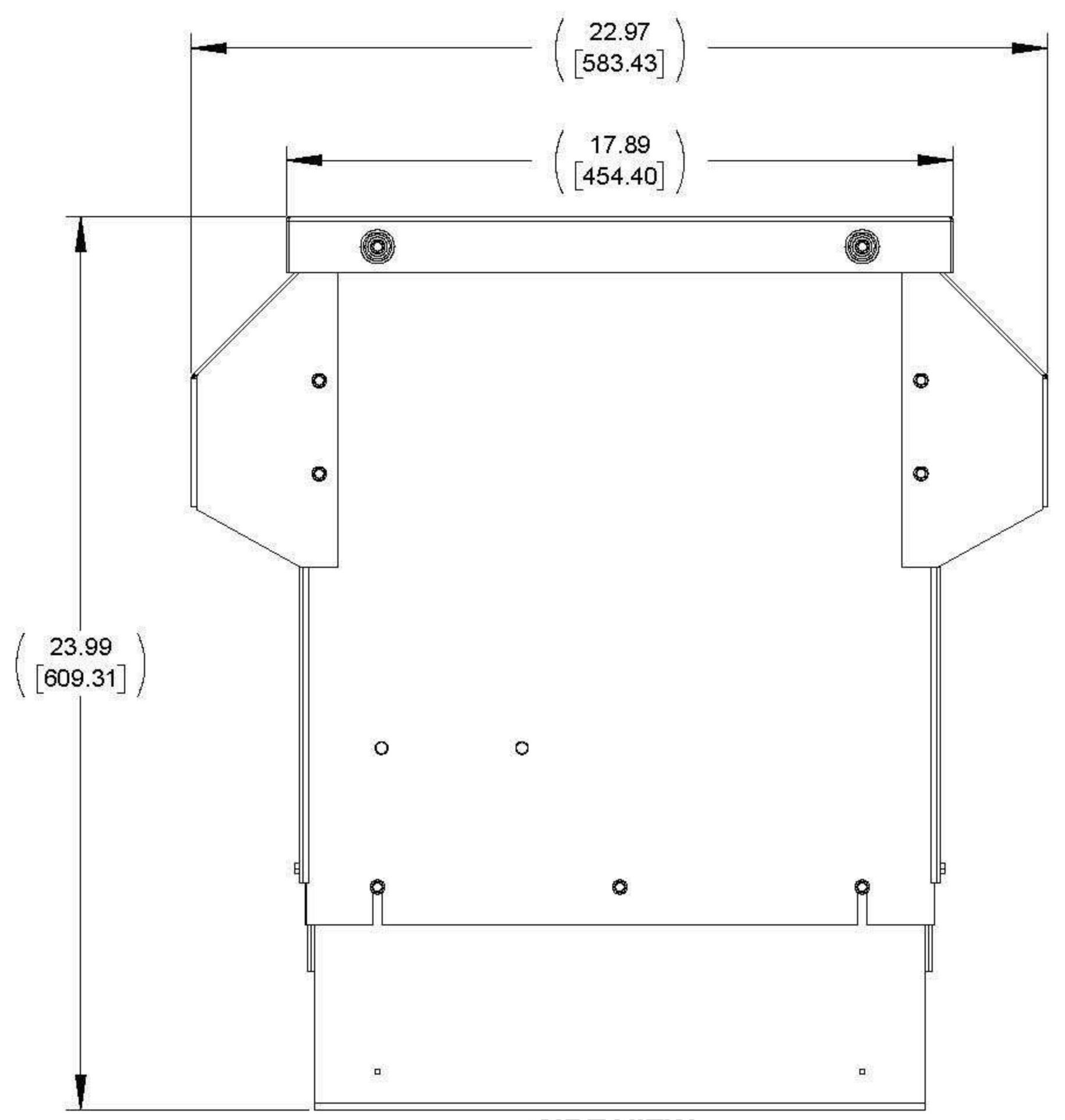


APPROX. WEIGHT (LBS.)  
76

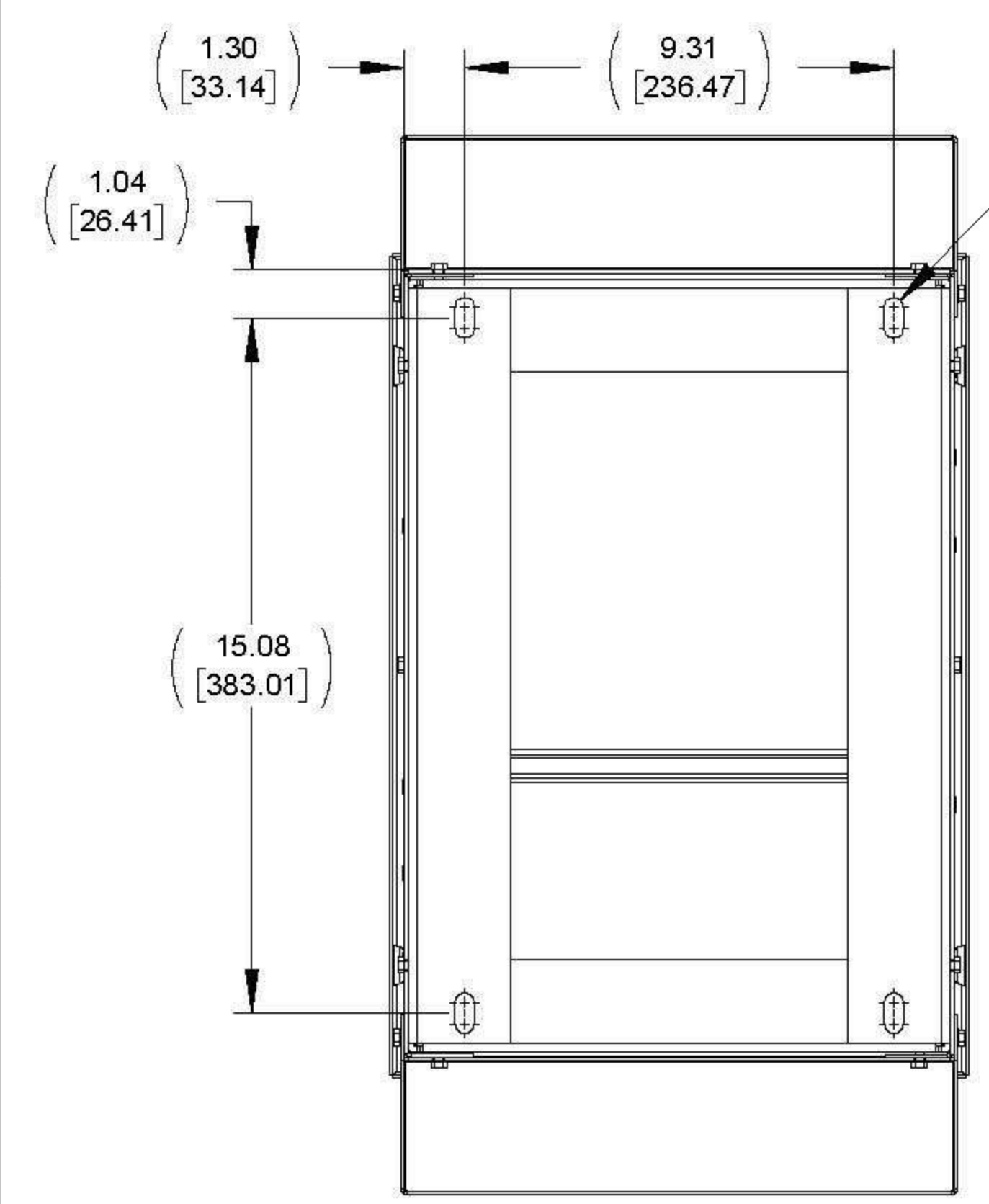
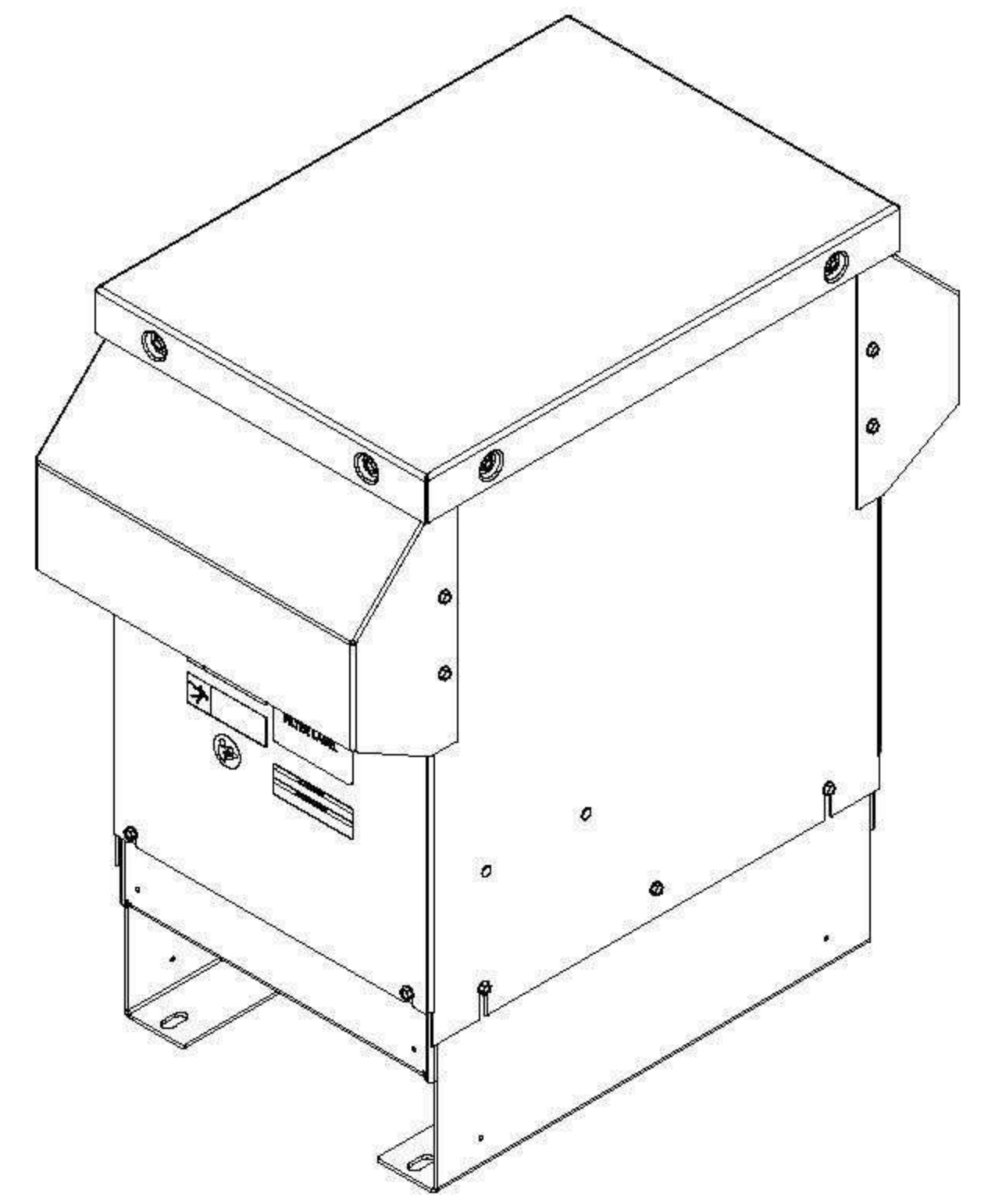
ECO No	DESCRIPTION	REV BY	DATE
M10014	ADDED HARDWARE TO REAR BRACKET	MN	11/30/16



FRONT VIEW  
(PANEL REMOVED)

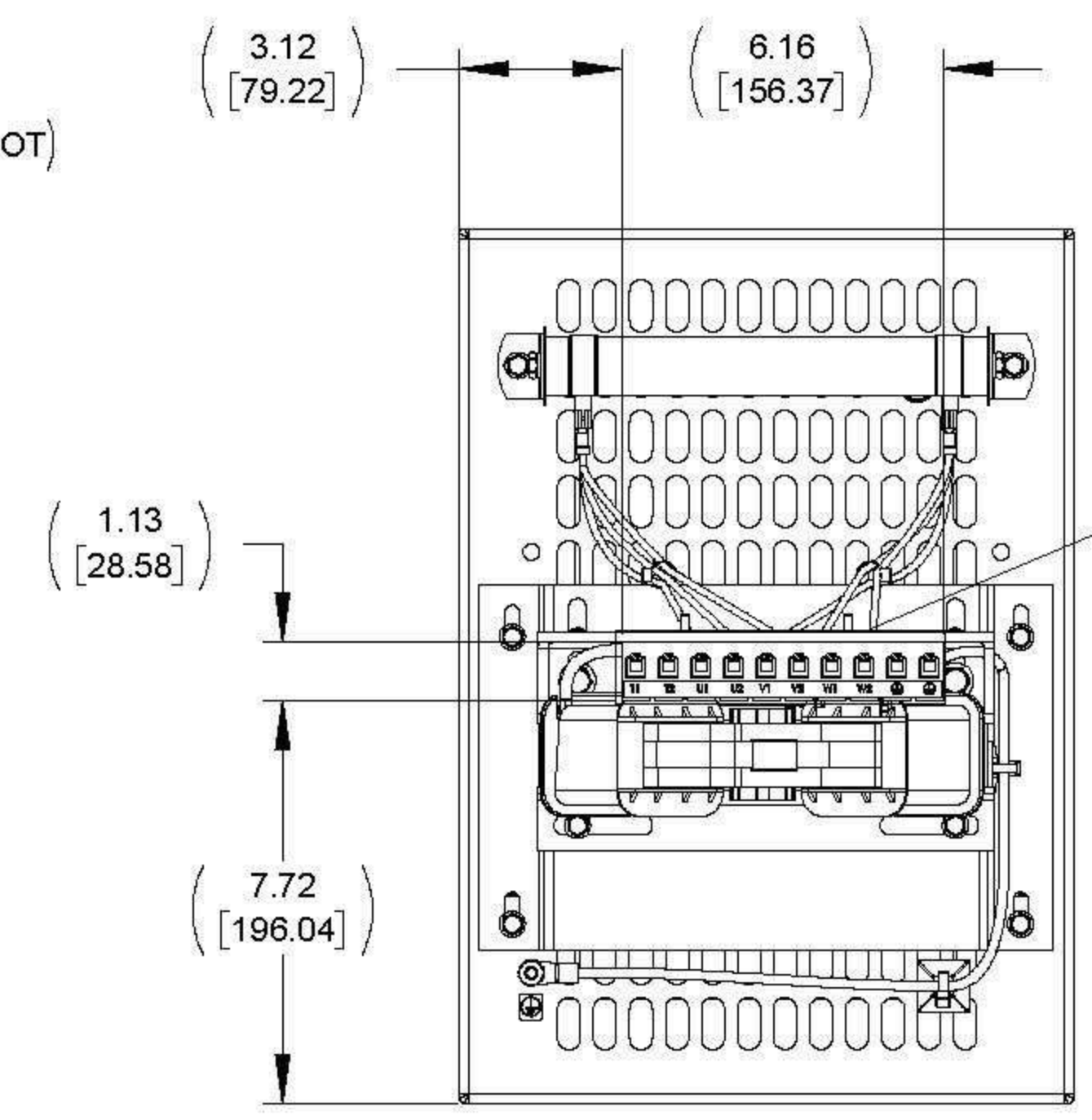


SIDE VIEW

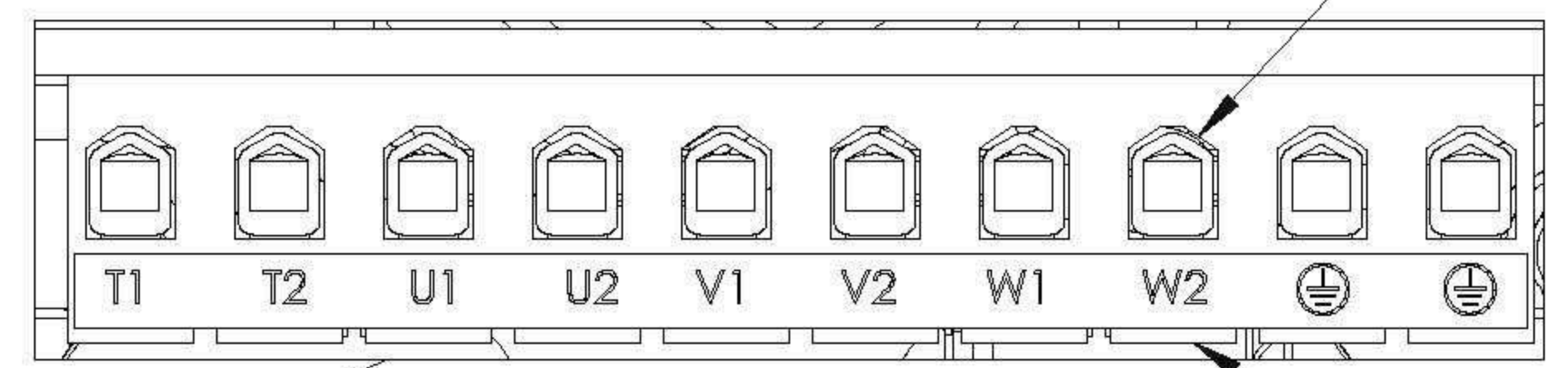


BOTTOM VIEW

(4X  $\phi$ .41 [10.41] X .88 SLOT)



TOP VIEW  
(PANELS REMOVED)



CUSTOMER CONNECTION  
DETAIL VIEW

SEE NOTE 1

SEE NOTE 2

**NOTES:**

1. WIRE RANGE: 4 - 18 AWG.
2. TERMINAL SCREW TIGHTENING TORQUE: 16 IN/LBS.

THE COMPONENT, PART OR ASSEMBLY DESCRIBED IN THIS DOCUMENT MUST COMPLY WITH THE EU (EUROPEAN UNION) DIRECTIVE RoHS2 CONTAINS <0.1% OF ANY SVHC BY WEIGHT PER REACH REGULATION		<b>MATERIAL</b> DRAWN: MM, DATE: 06/10/14 CHECKED: TM, DATE: 01/18/17 APPROVED: TM, DATE: 01/18/17		<b>CONFIDENTIAL AND PROPRIETARY INFORMATION</b> THIS DOCUMENT CONTAINS CONFIDENTIAL AND PROPRIETARY INFORMATION OF MTE CORPORATION AND MAY NOT BE USED, COPIED OR DISCLOSED TO OTHERS EXCEPT WITH THE AUTHORIZED WRITTEN PERMISSION OF MTE CORPORATION	
UNLESS OTHERWISE SPECIFIED DIMENSIONS ARE IN INCHES (MM) TOLERANCES ARE: ANGLES: $\pm 1^\circ$ 1 PLACE .X: $\pm .1$ [2.5] 2 PLACE .XX: $\pm .03$ [0.76] 3 PLACE .XXX: $\pm .010$ [0.254]		 N83 W13330 Leon Road Menomonee Falls, WI 53051 USA 800.455.4693 262.253.8200		<b>DESCRIPTION</b> DV SENTRY 55A 380-600V FILTER, NEMA 3R ENCL.	
		SIZE: D, DWG No.: CD DVSW0055E, REV: 02		SCALE: 1:3, SHEET 1 OF 1	