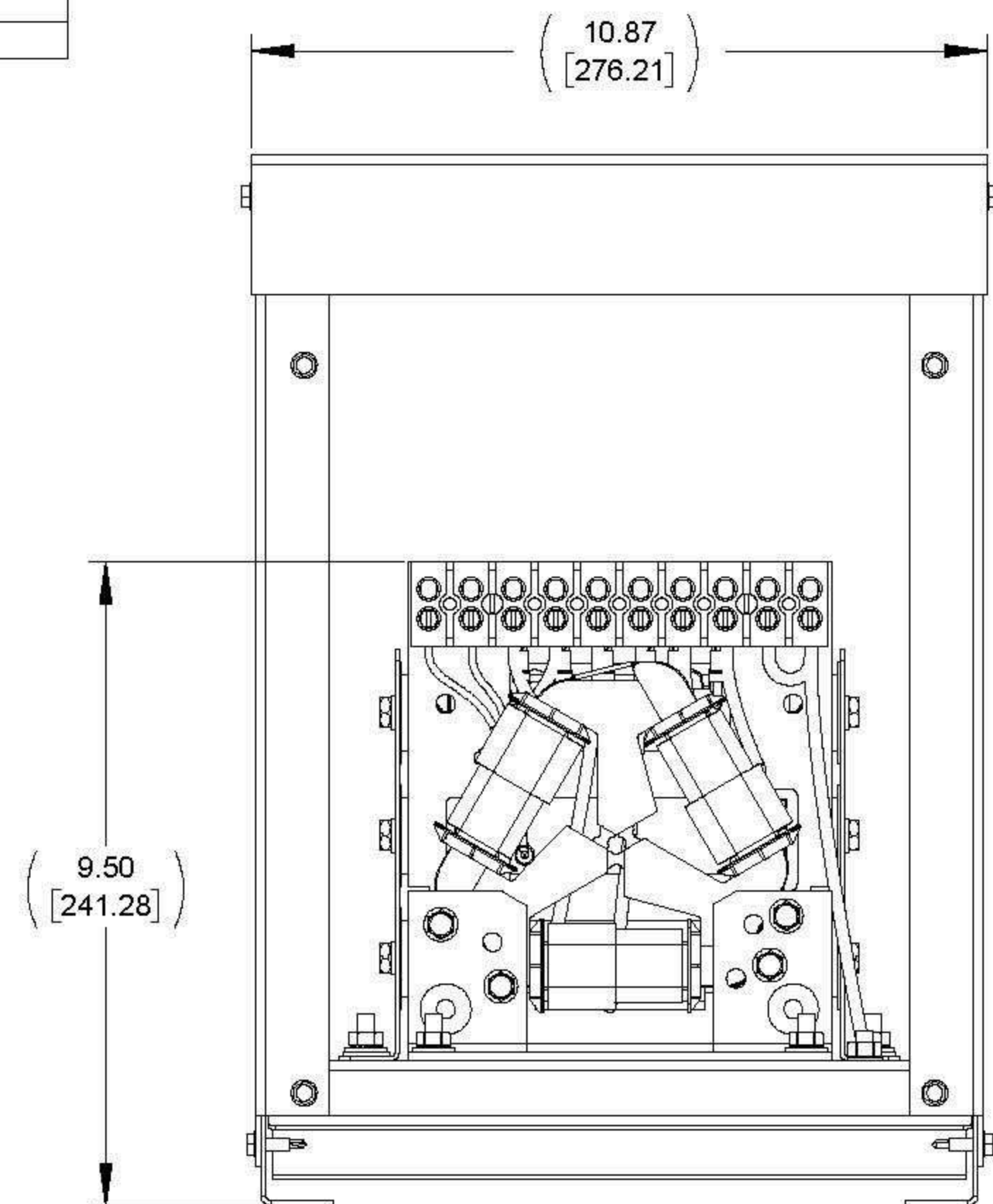
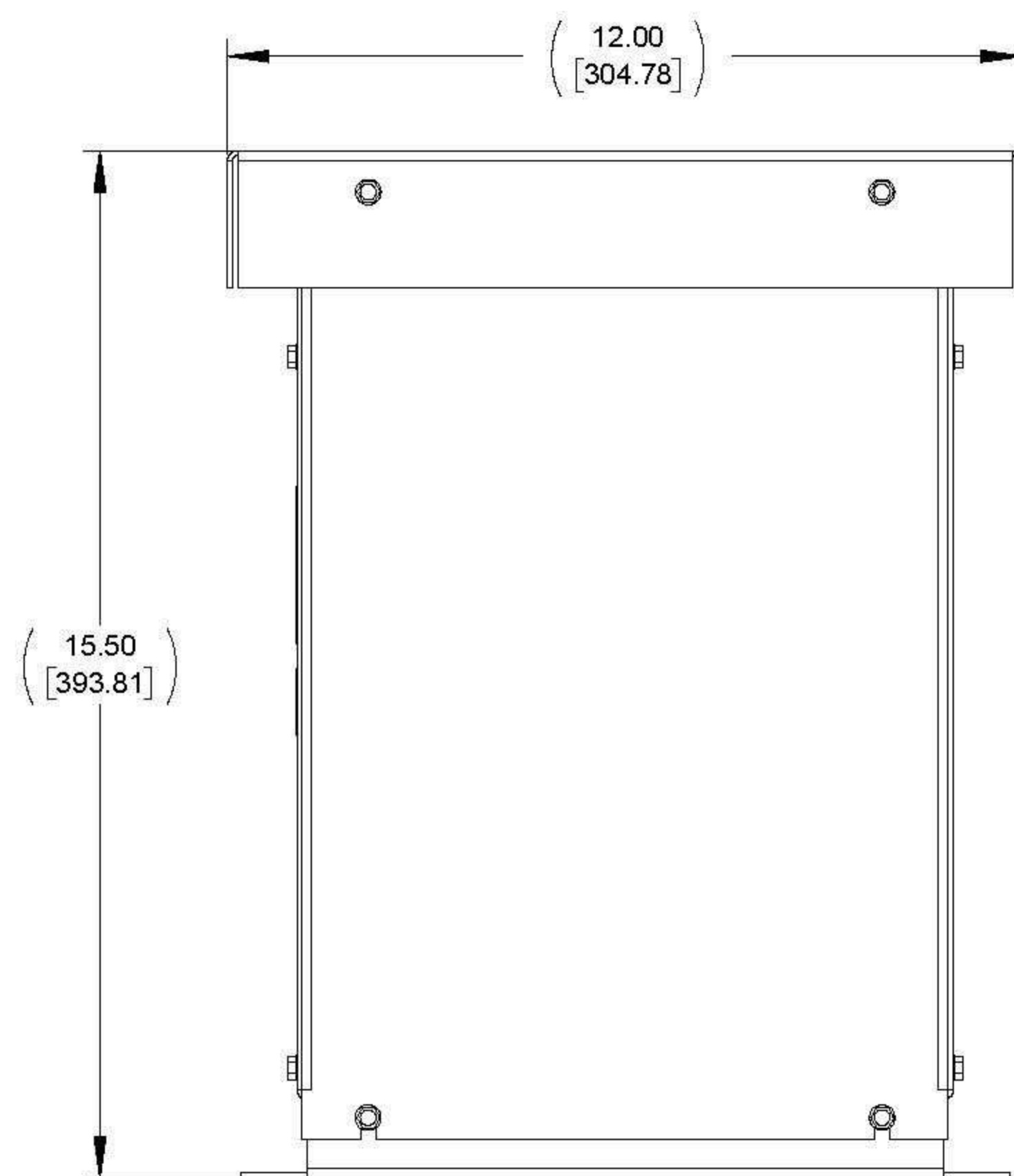


APPROX WEIGHT (LBS)  
33

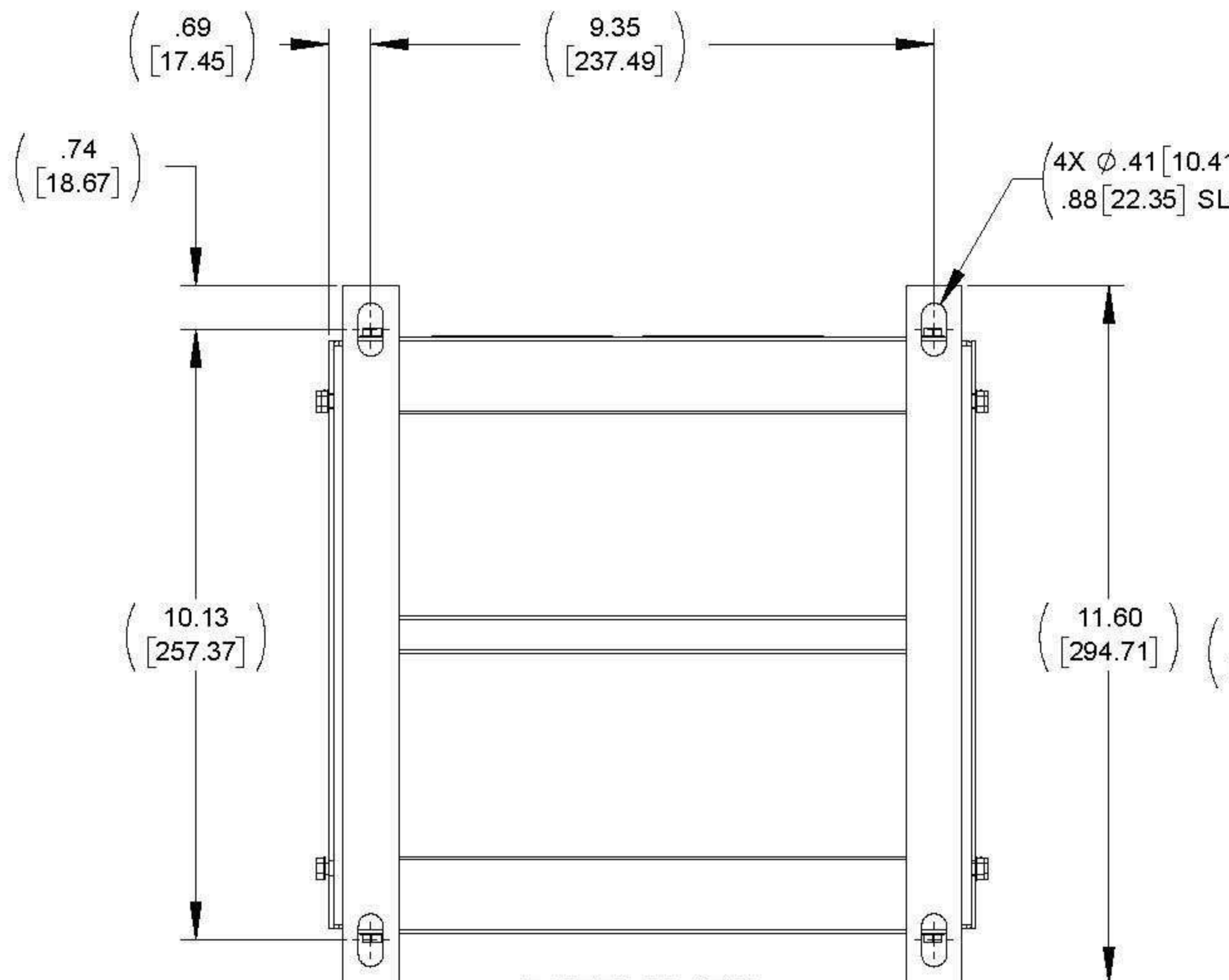
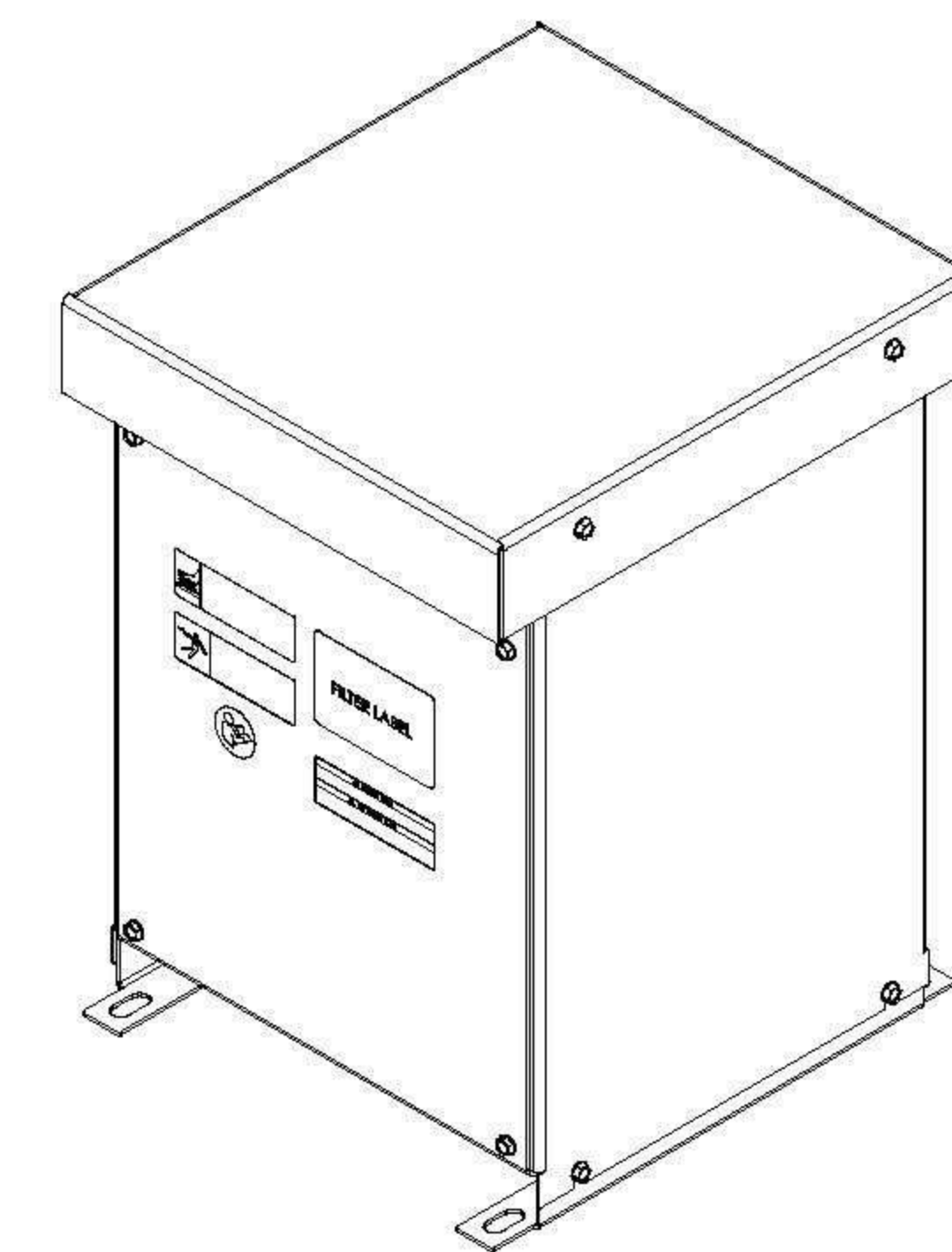
ECO No	DESCRIPTION	REVBY	DATE
M10014	ADDED MOUNTING BRACKET TO REACTOR	MN	11/30/16



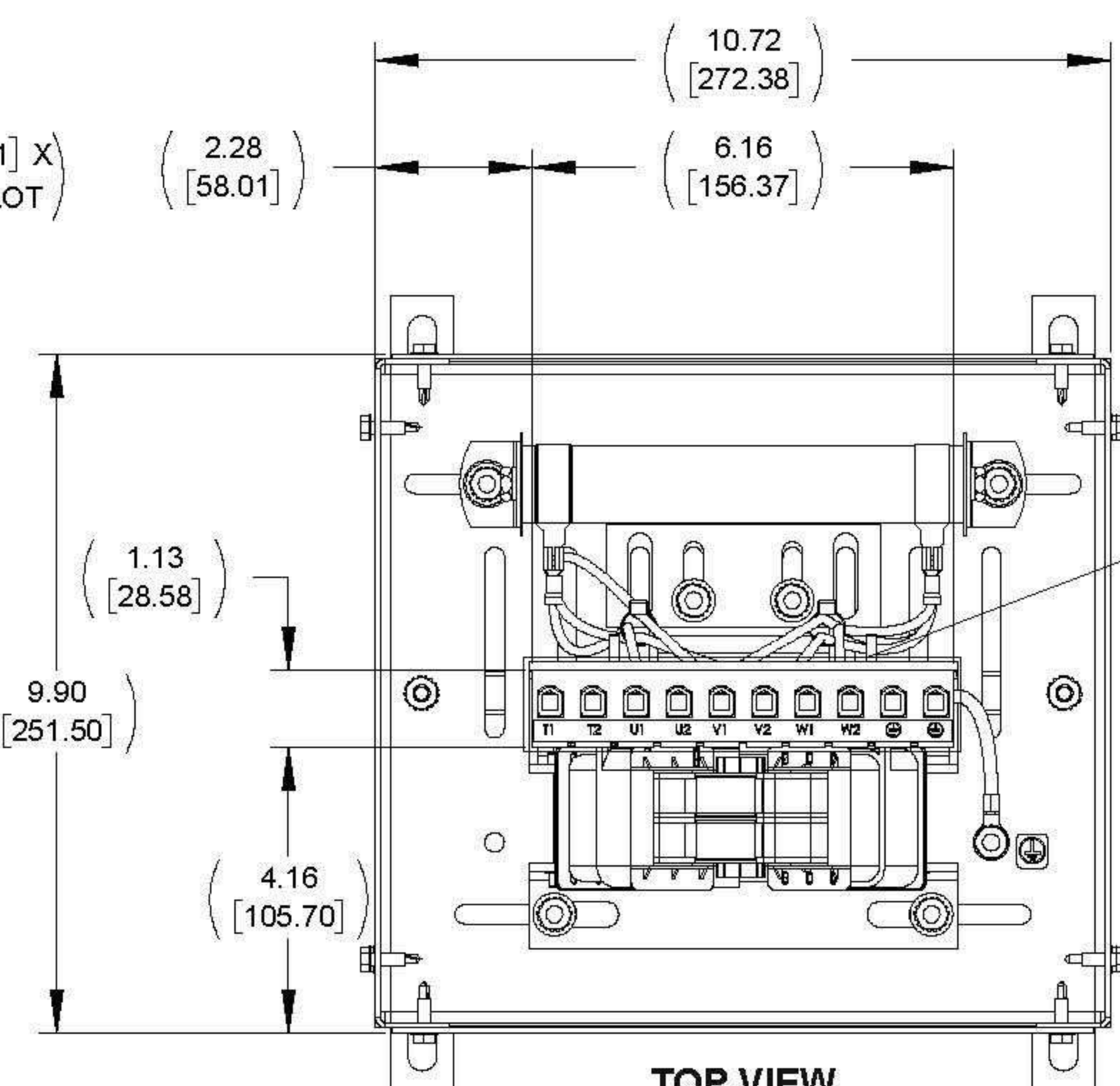
**FRONT VIEW  
(PANEL REMOVED)**



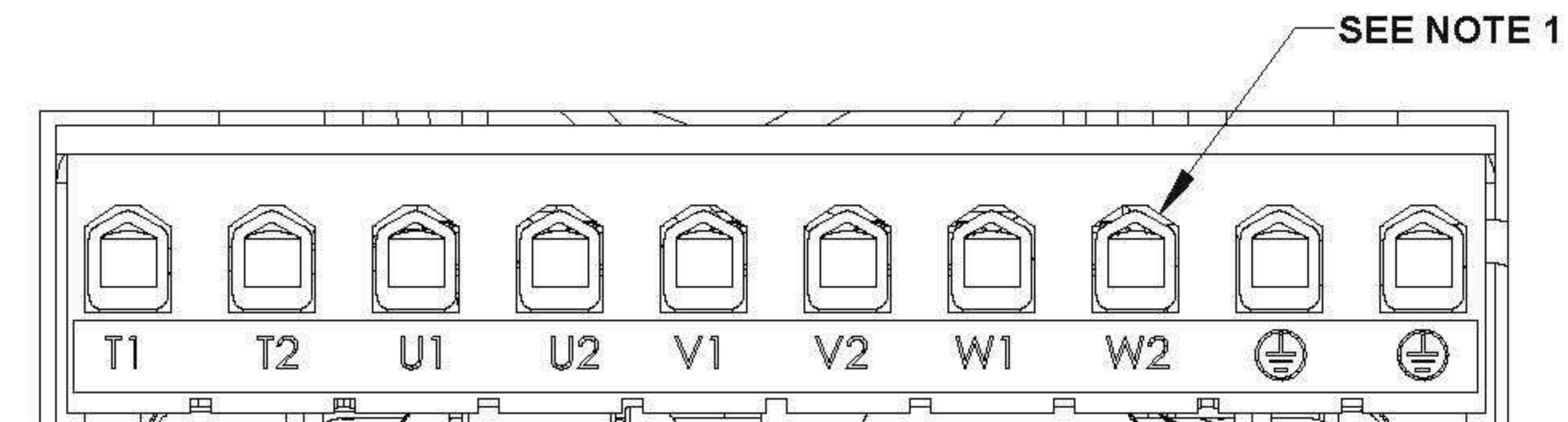
**SIDE VIEW**



**BOTTOM VIEW**



**TOP VIEW  
(PANEL REMOVED)**



**CUSTOMER CONNECTION  
DETAIL VIEW**

**NOTES:**

1. WIRE RANGE: 4 - 18 AWG.
2. TERMINAL SCREW TIGHTENING TORQUE: 16 IN/LBS.

<p>THE COMPONENT, PART OR ASSEMBLY DESCRIBED IN THIS DOCUMENT MUST COMPLY WITH THE EU (EUROPEAN UNION) DIRECTIVE RoHS2</p> <p>CONTAINS &lt;0.1% OF ANY SVHC BY WEIGHT PER REACH REGULATION</p>		<p>MATERIAL</p>		<p>CONFIDENTIAL AND PROPRIETARY INFORMATION THIS DOCUMENT CONTAINS CONFIDENTIAL AND PROPRIETARY INFORMATION OF MTE CORPORATION AND MAY NOT BE USED, COPIED OR DISCLOSED TO OTHERS EXCEPT WITH THE AUTHORIZED WRITTEN PERMISSION OF MTE CORPORATION</p>	
<p>UNLESS OTHERWISE SPECIFIED DIMENSIONS ARE IN INCHES (MM) TOLERANCES ARE:</p> <p>ANGLES: ± 1°</p> <p>1 PLACE .X: ± .1 [2.5]</p> <p>2 PLACE .XX: ± .03 [0.76]</p> <p>3 PLACE .XXX: ± .010 [0.254]</p>		<p><b>MTE</b> AN BL POWER ELECTRONICS COMPANY</p> <p>800 455-4693 262.253.8200</p>		<p>DESCRIPTION</p> <p><b>DV SENTRY 27A 380-600V FILTER, NEMA 3R ENCL.</b></p>	
<p>DRAWN: MM</p> <p>CHECKED: TM</p> <p>APPROVED: TM</p>		<p>DATE: 06/25/14</p> <p>DATE: 01/18/17</p> <p>DATE: 01/18/17</p>		<p>SIZE: D</p> <p>DWG No: CD DVSW0027E</p> <p>REV: 03</p>	
<p>SCALE: 1:2</p>		<p>SHEET 1 OF 1</p>		<p></p>	