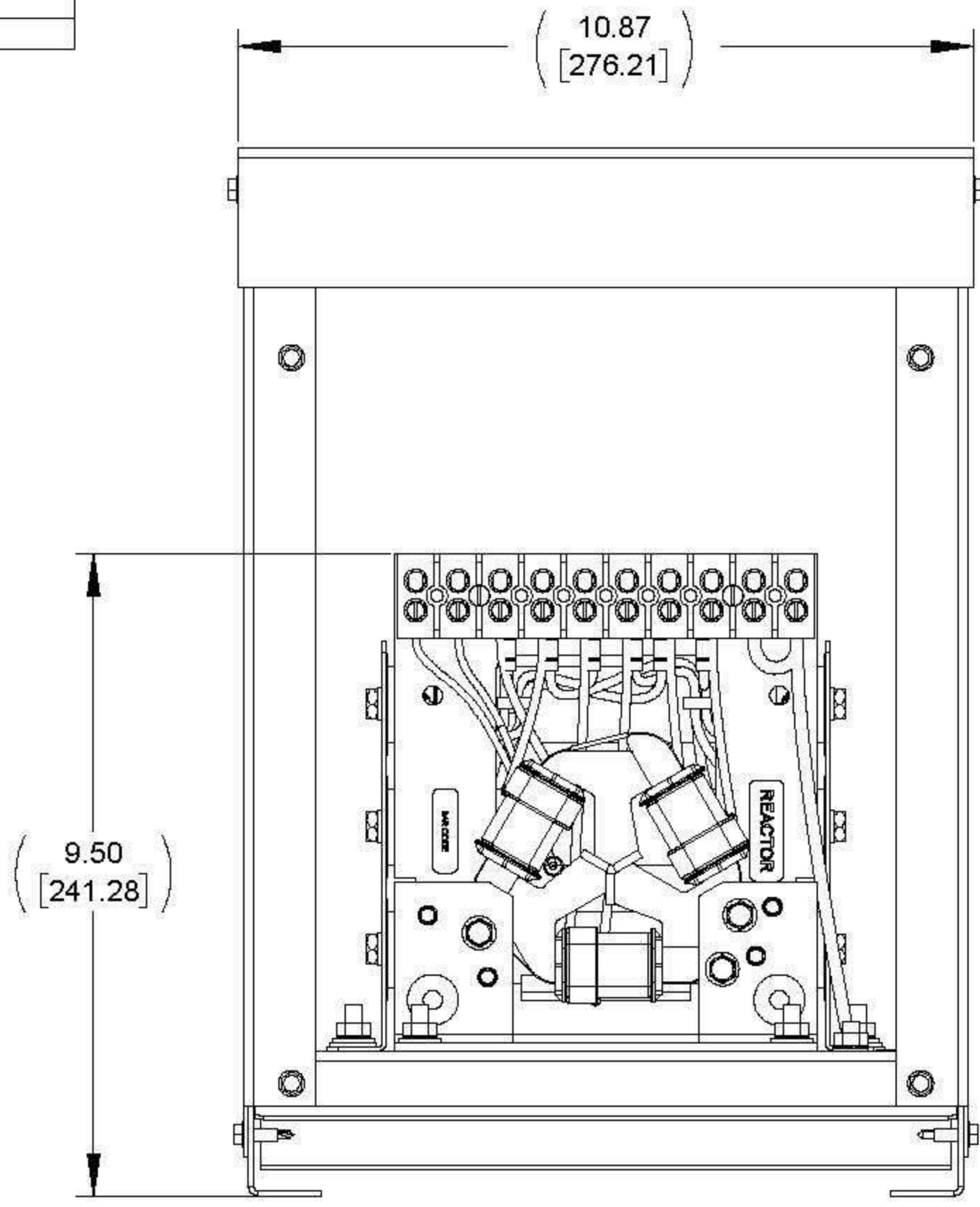
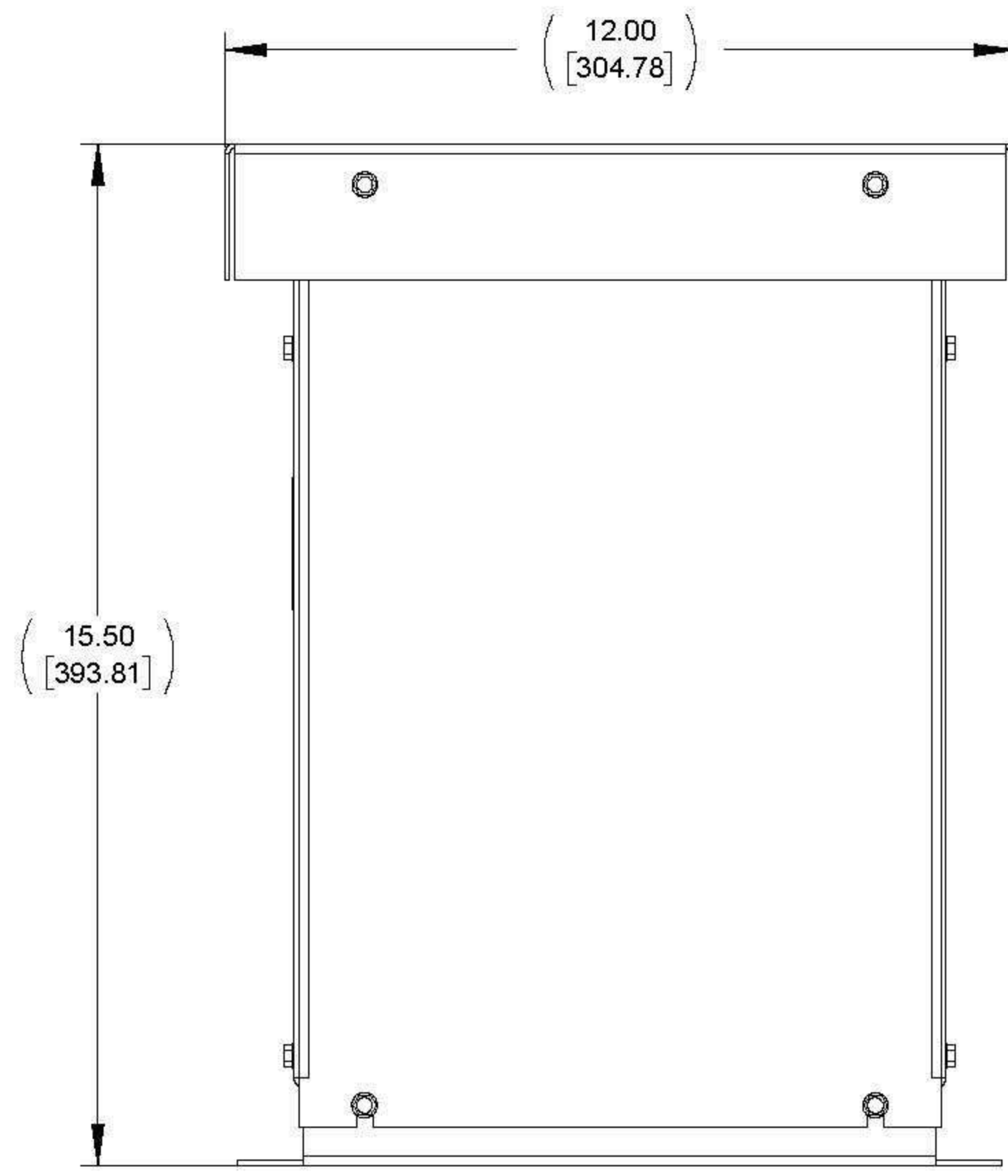


APPROX WEIGHT (LBS)
29

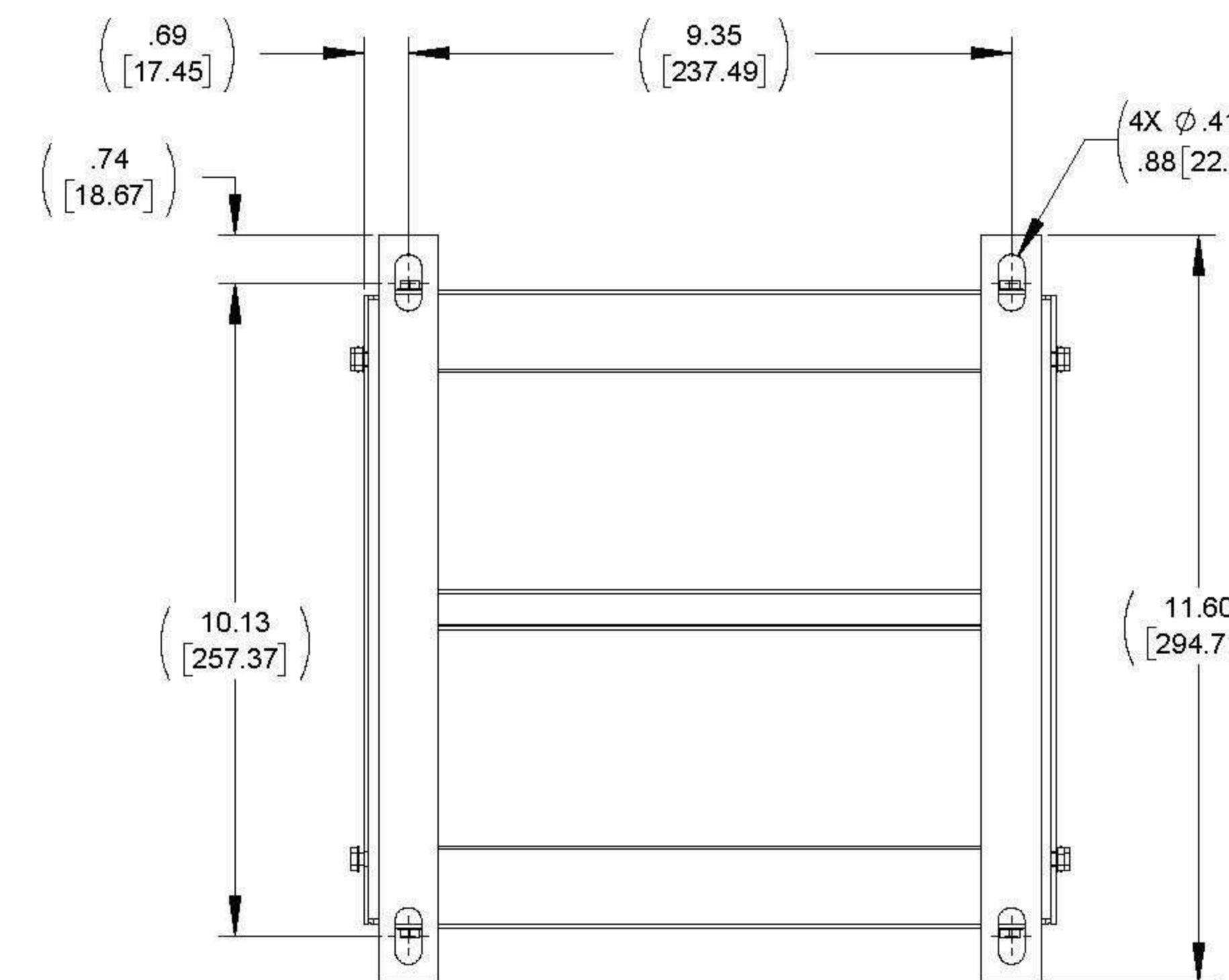
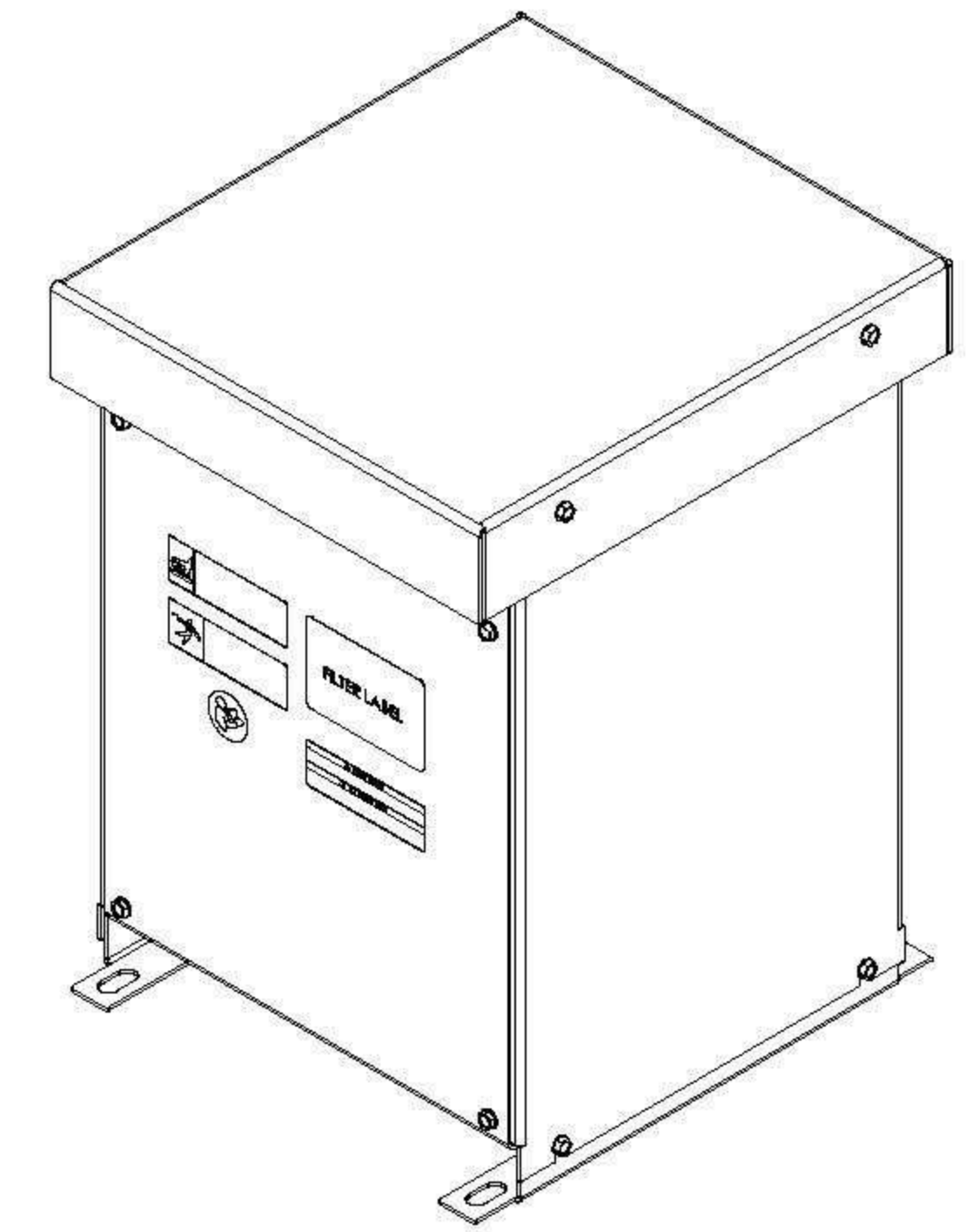
| ECO No | DESCRIPTION | REVBY | DATE |
|--------|-----------------------------------|-------|----------|
| M10014 | ADDED MOUNTING BRACKET TO REACTOR | MN | 11/30/16 |



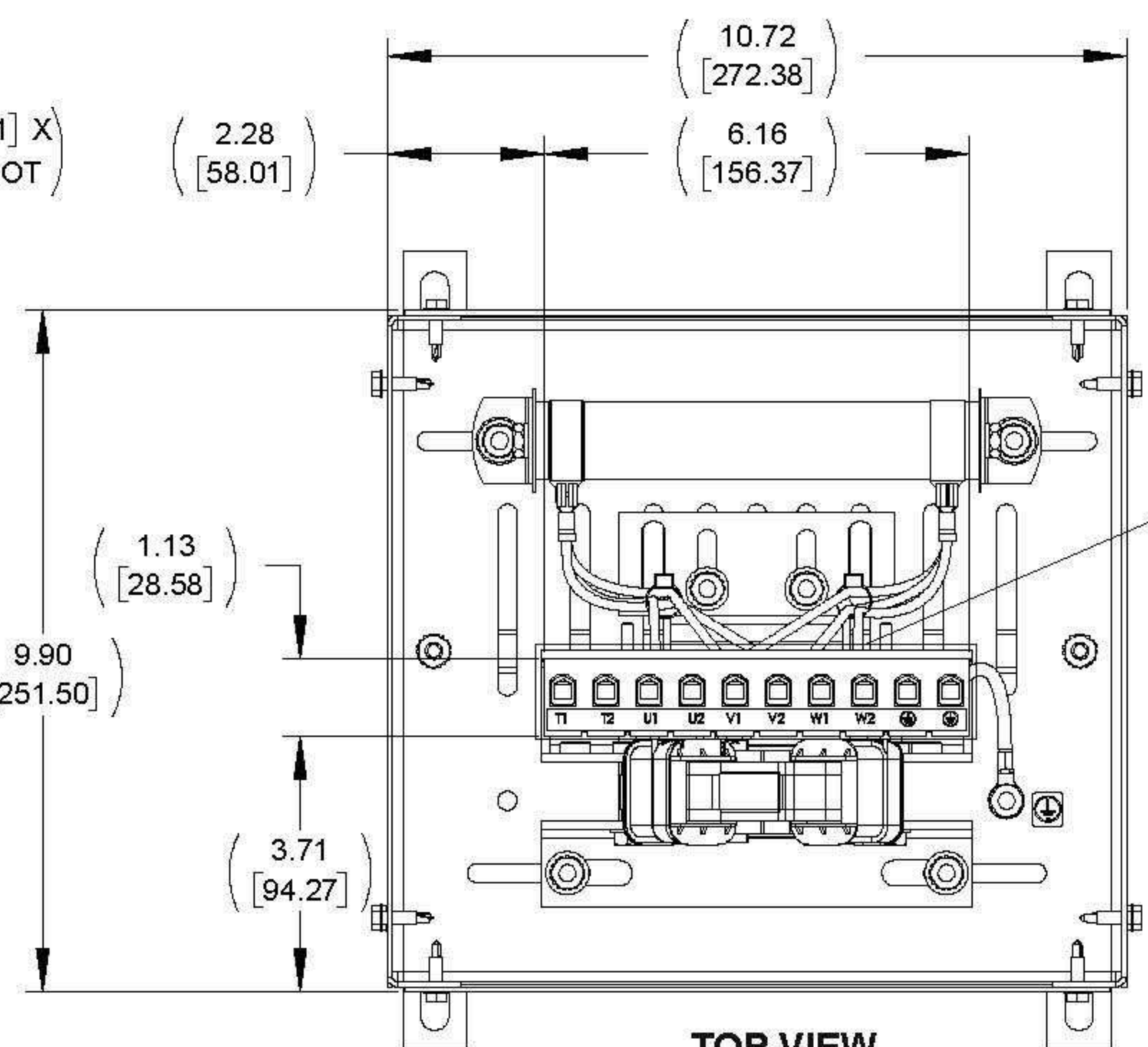
FRONT VIEW
(PANEL REMOVED)



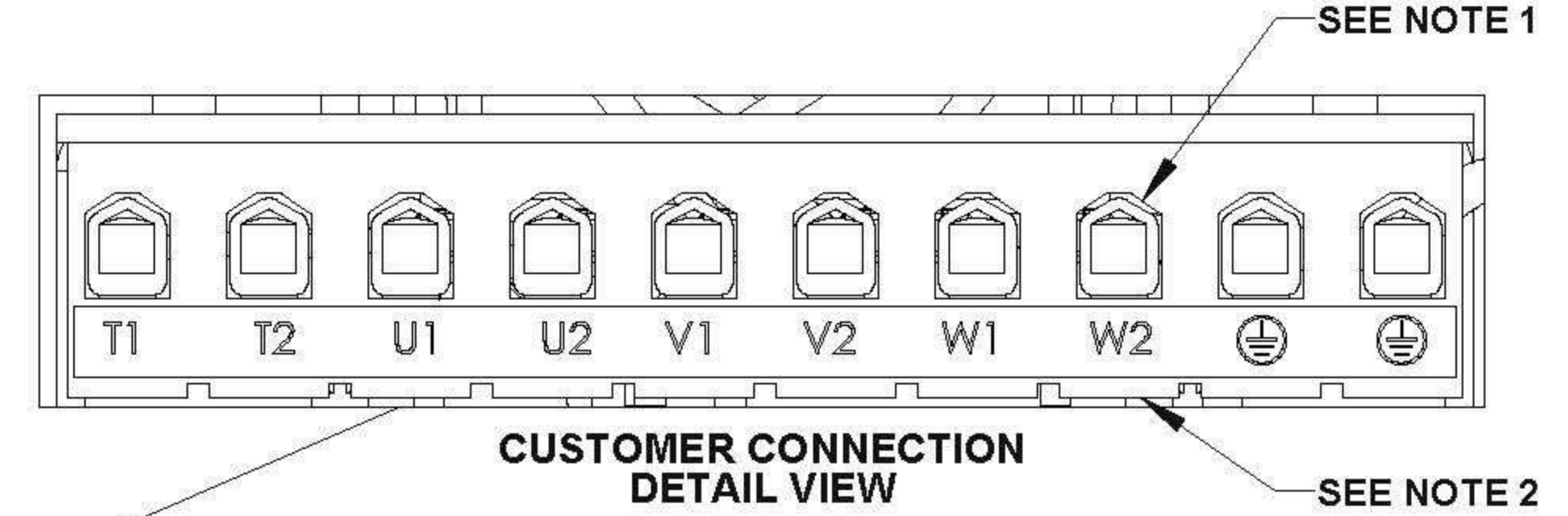
SIDE VIEW



BOTTOM VIEW



TOP VIEW
(PANEL REMOVED)



CUSTOMER CONNECTION
DETAIL VIEW

NOTES:

1. WIRE RANGE: 4 - 18 AWG.
2. TERMINAL SCREW TIGHTENING TORQUE: 16 IN/LBS.

| | | | | | |
|--|--|--|--|--|--|
| THE COMPONENT, PART OR ASSEMBLY DESCRIBED IN THIS DOCUMENT MUST COMPLY WITH THE EU (EUROPEAN UNION) DIRECTIVE RoHS2 CONTAINS <0.1% OF ANY SVHC BY WEIGHT PER REACH REGULATION | | MATERIAL | | CONFIDENTIAL AND PROPRIETARY INFORMATION THIS DOCUMENT CONTAINS CONFIDENTIAL AND PROPRIETARY INFORMATION OF MTE CORPORATION AND MAY NOT BE USED, COPIED OR DISCLOSED TO OTHERS EXCEPT WITH THE AUTHORIZED WRITTEN PERMISSION OF MTE CORPORATION | |
| UNLESS OTHERWISE SPECIFIED DIMENSIONS ARE IN INCHES (MM) TOLERANCES ARE: ANGLES: ± 1° 1 PLACE .X: ± .1 [2.5] 2 PLACE .XX: ± .03 [0.76] 3 PLACE .XXX: ± .010 [0.254] | | | | DESCRIPTION DV SENTRY 9A 380-600V FILTER, NEMA 3R ENCL. | |
| DRAWN: MM CHECKED: TM APPROVED: TM | | DATE: 06/23/14 DATE: 01/18/17 DATE: 01/18/17 | | SIZE: D DWG No: CD DVSW0009E REV: 03 | |
| | | SCALE: 1:2 | | SHEET 1 OF 1 | |