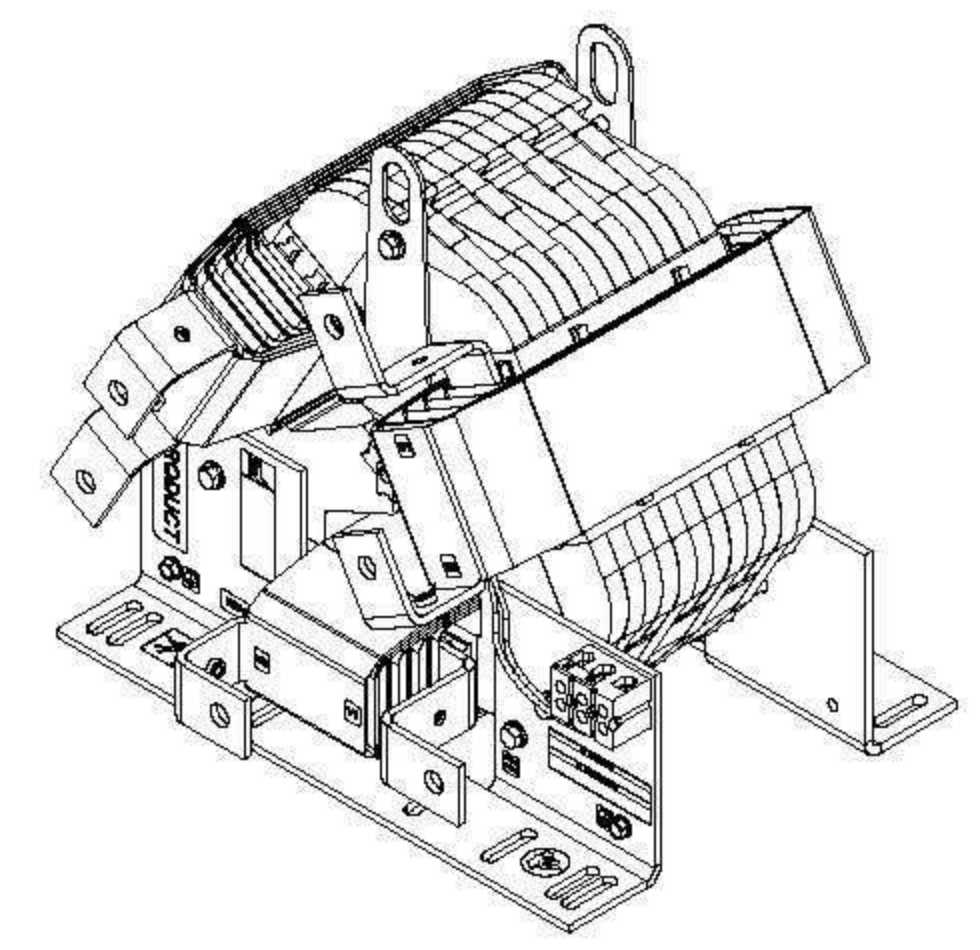
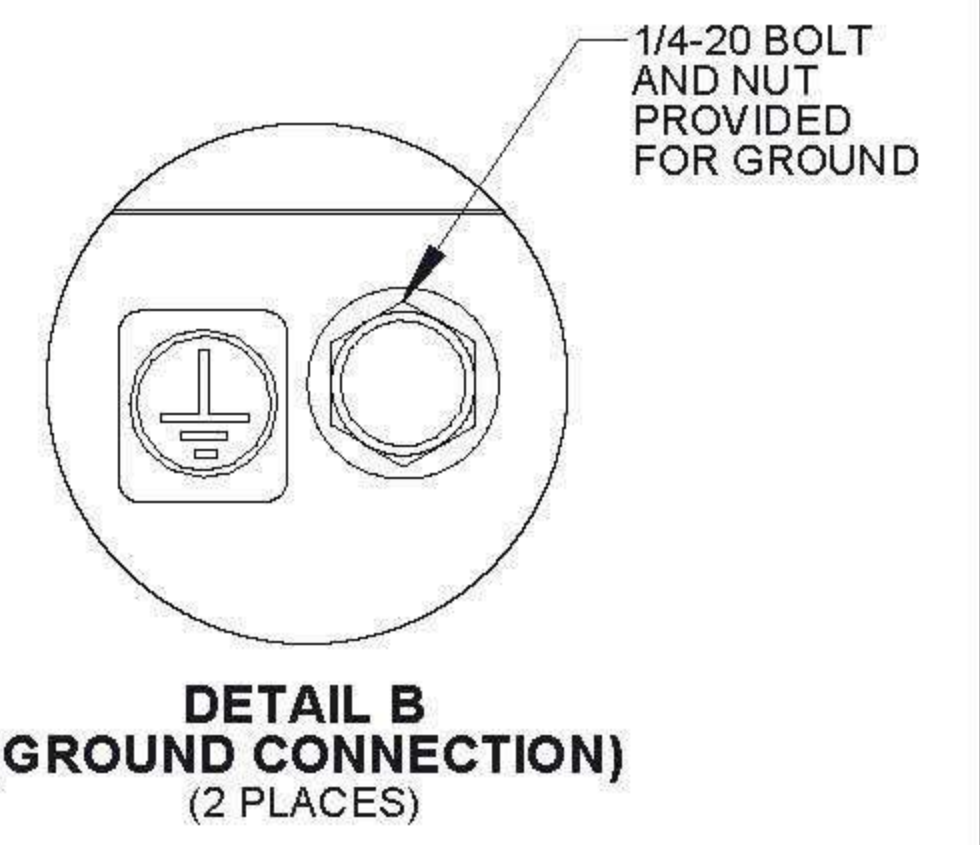
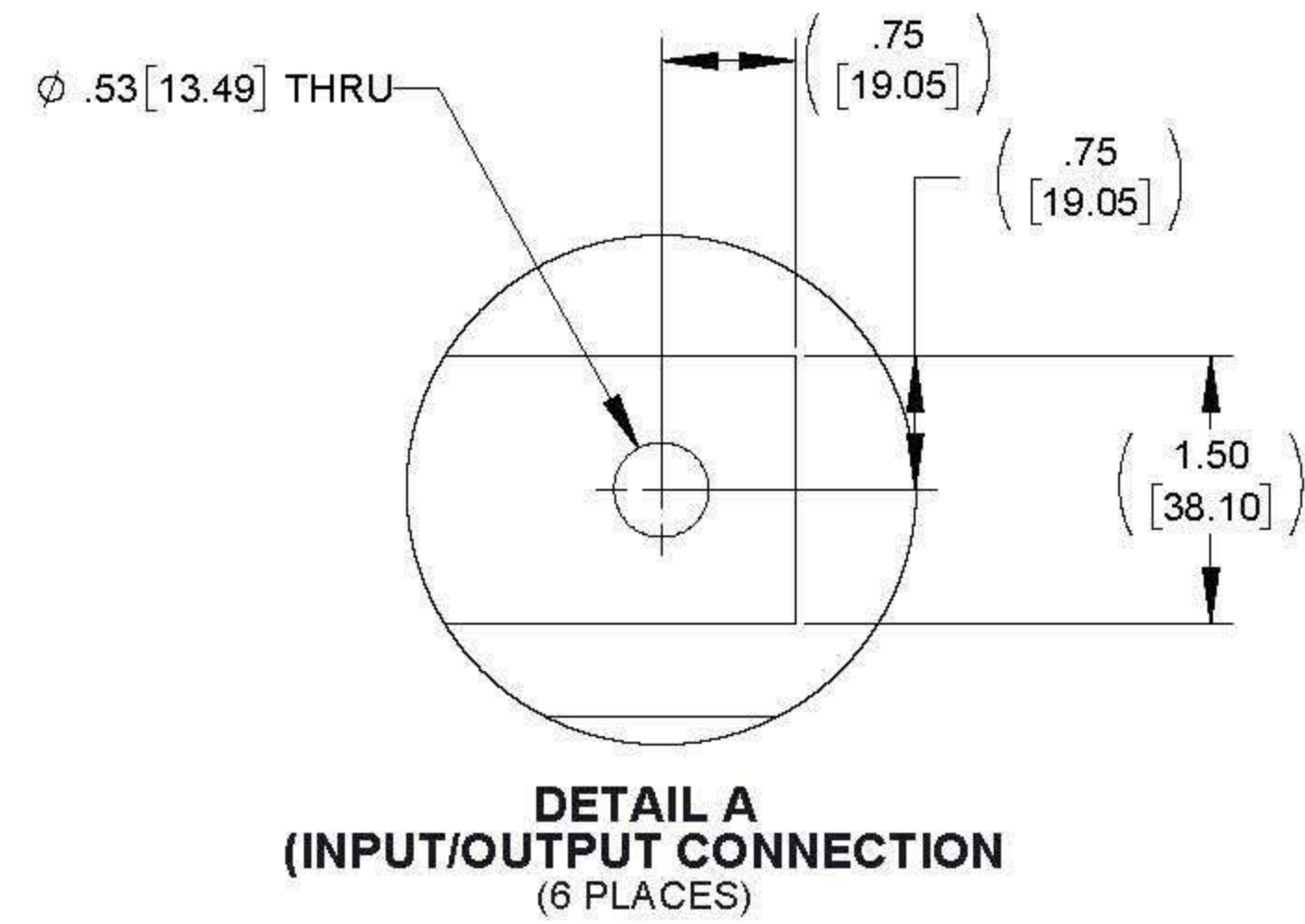
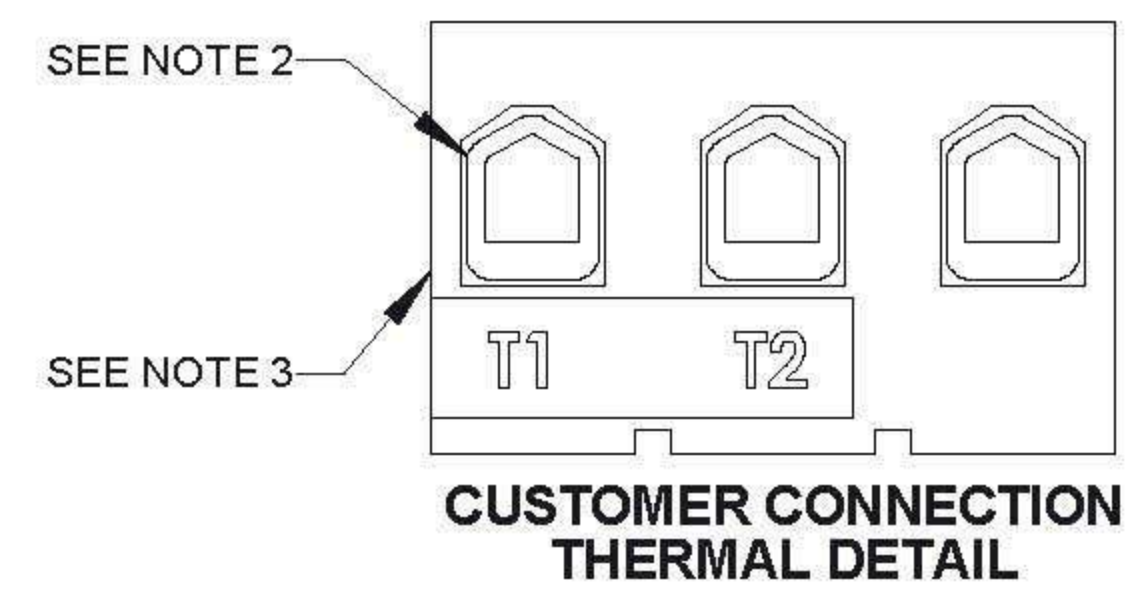
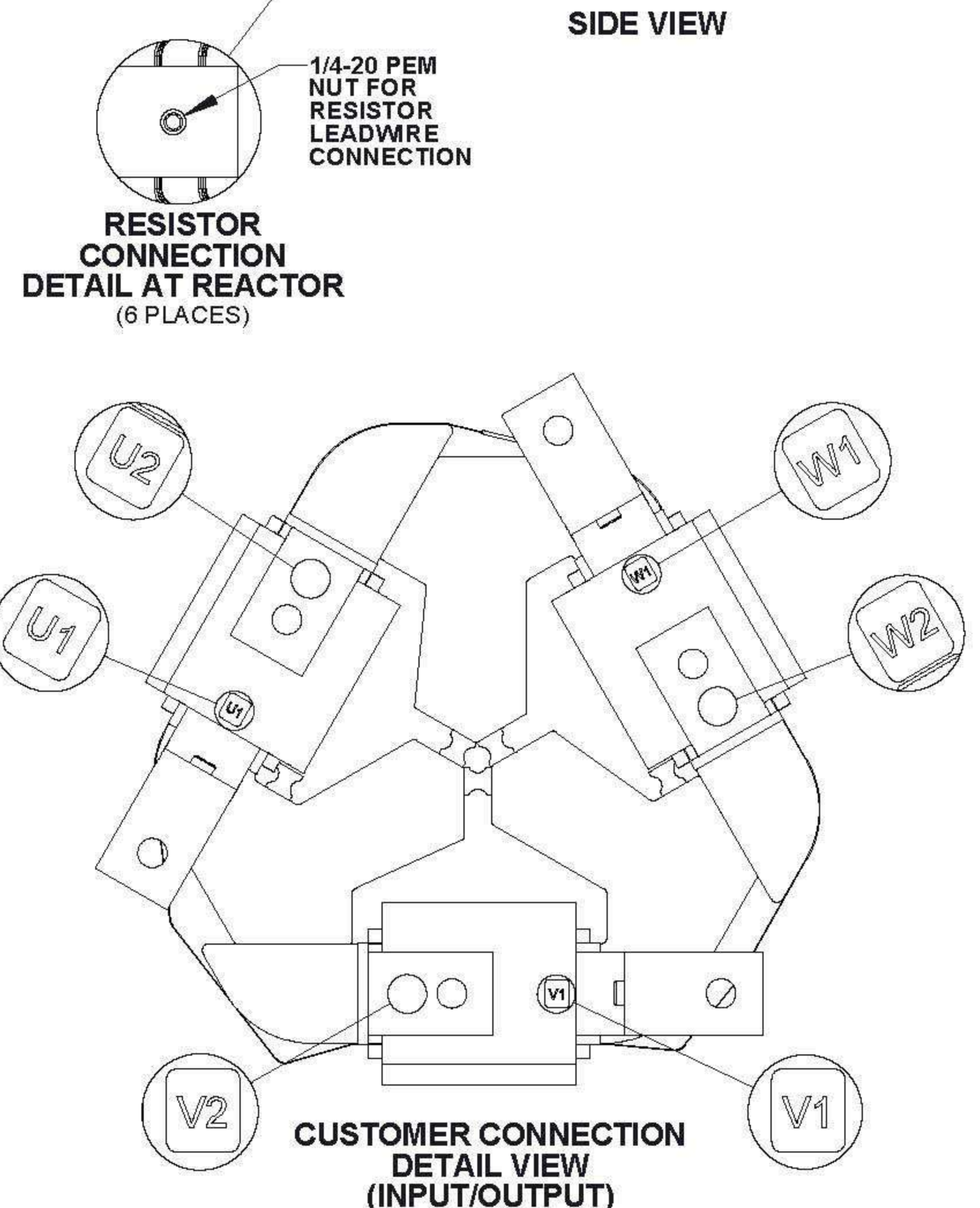
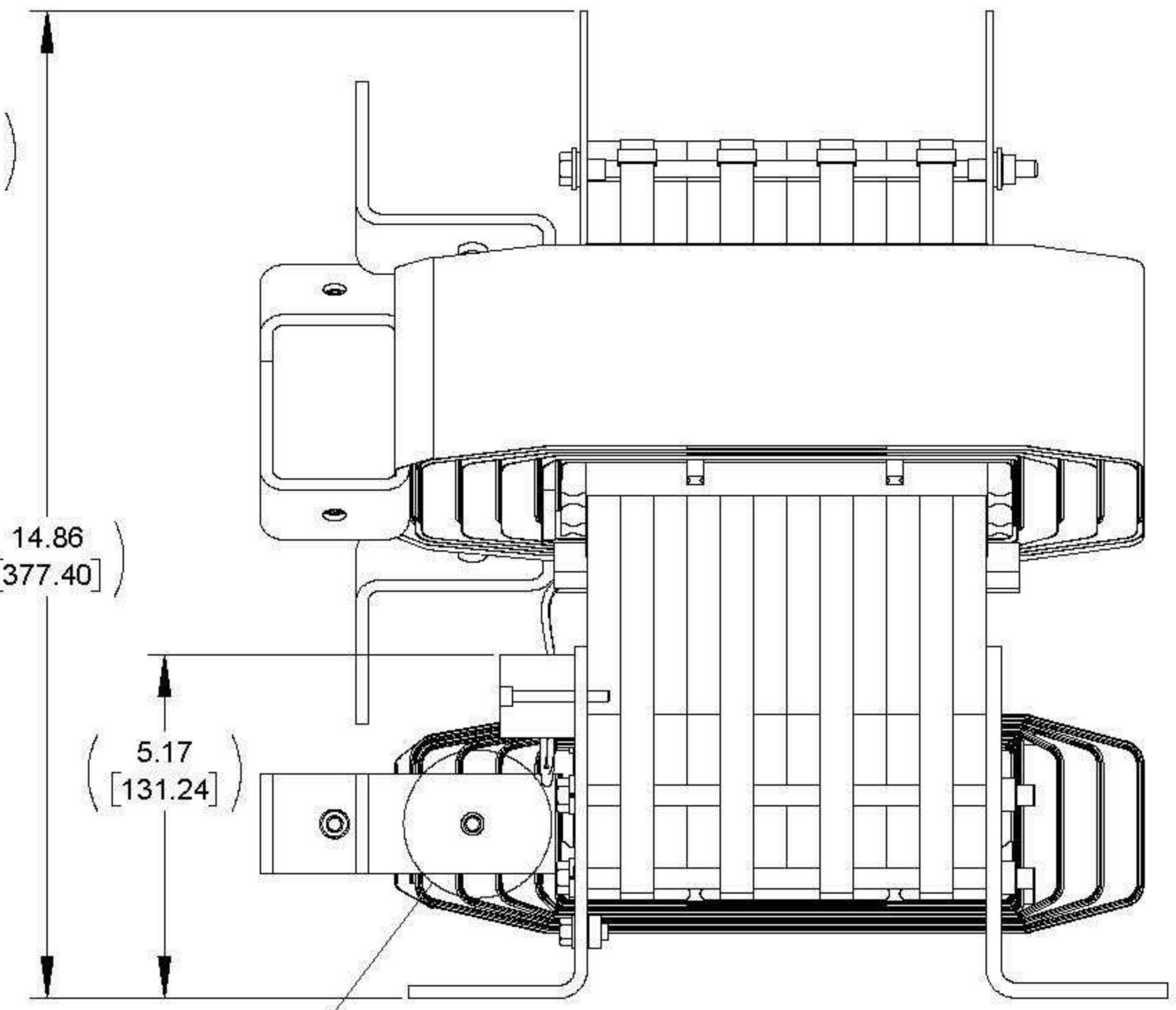
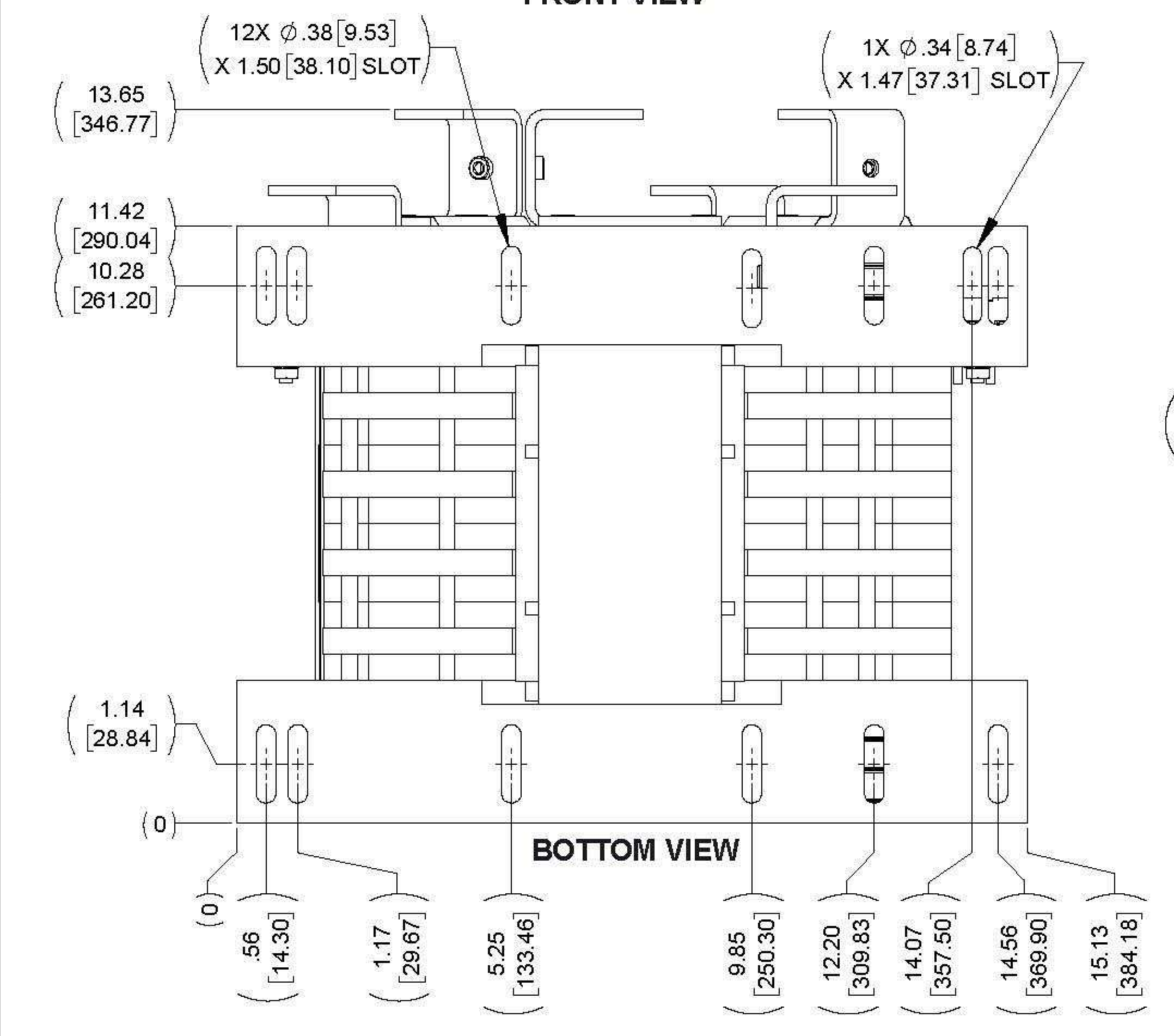
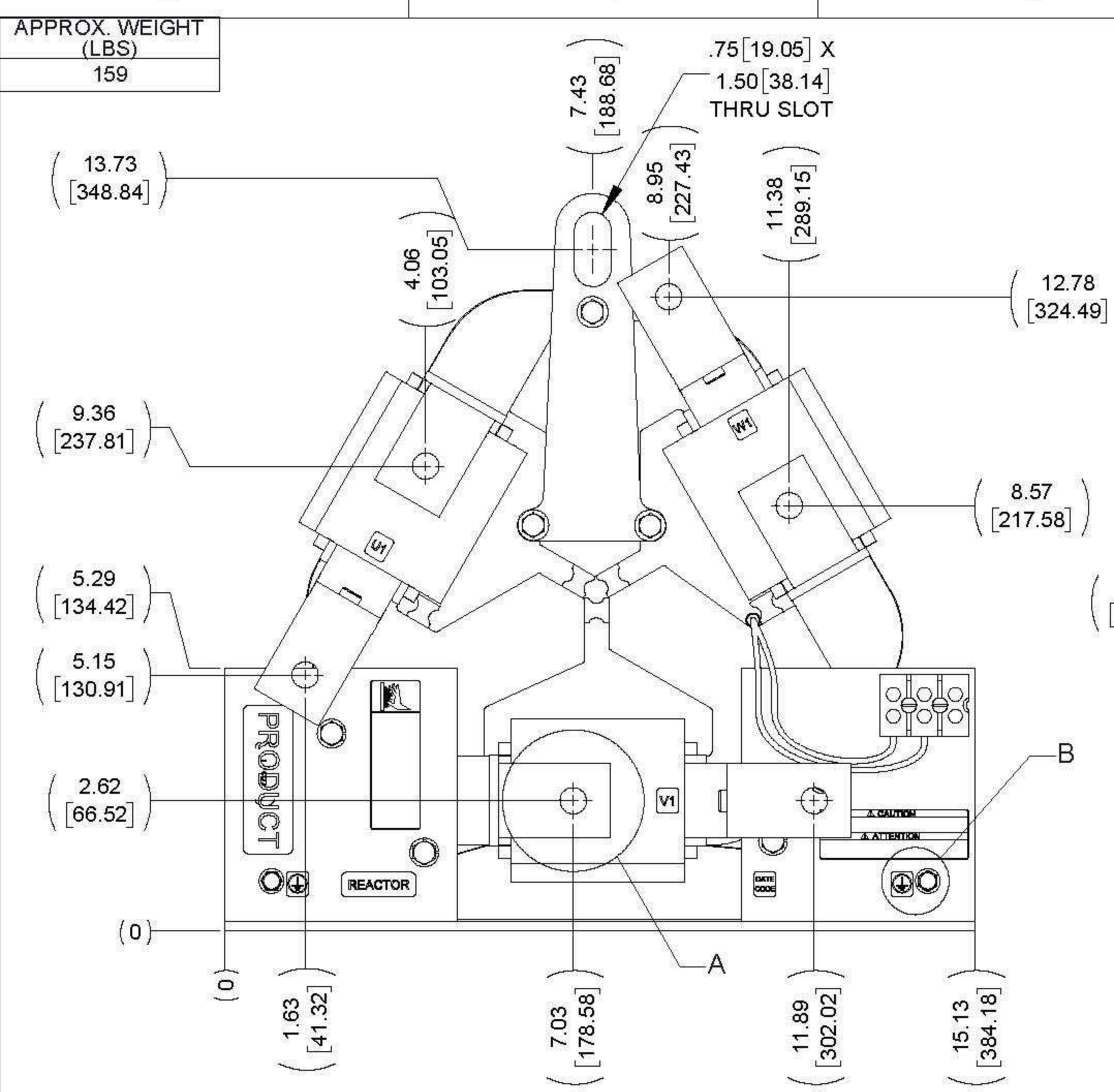


ECO No	DESCRIPTION	REVBY	DATE
M10379	UPDATED DESCRIPTION	AB	08/02/18

APPROX. WEIGHT (LBS)  
159



- NOTES:**
1. FILTER REQUIRES MTE P/N: RESPANEL-014 (QTY. 1)
  2. WIRE RANGE: 4 - 18 AWG.
  3. TERMINAL SCREW TIGHTENING TORQUE: 16 IN/LBS, MAX.

THE COMPONENT, PART OR ASSEMBLY DESCRIBED IN THIS DOCUMENT MUST COMPLY WITH THE EU (EUROPEAN UNION) DIRECTIVE RoHS2 CONTAINS <0.1% OF ANY SVHC BY WEIGHT PER REACH REGULATION		MATERIAL DRAWN: JT DATE: 07/30/14 CHECKED: AB DATE: 08/02/18 APPROVED: AK DATE: 09/26/18		CONFIDENTIAL AND PROPRIETARY INFORMATION THIS DOCUMENT CONTAINS CONFIDENTIAL AND PROPRIETARY INFORMATION OF MTE CORPORATION AND MAY NOT BE USED, COPIED OR DISCLOSED TO OTHERS EXCEPT WITH THE AUTHORIZED WRITTEN PERMISSION OF MTE CORPORATION	
UNLESS OTHERWISE SPECIFIED DIMENSIONS ARE IN INCHES (MM) TOLERANCES ARE: ANGLES: ± 1° 1 PLACE .X: ± .1 [2.5] 2 PLACE .XX: ± .03 [0.76] 3 PLACE .XXX: ± .010 [0.254]		 N83 W13330 Leon Road Menomonee Falls, WI 53051 USA 800.455.4693 262.253.8200		DESCRIPTION DV SENTRY 515A 208-600V FILTER, OPEN PANEL	
		SIZE: D DWG No: CD DVSP0515E REV: 04		SCALE: 1:2 SHEET 1 OF 1	