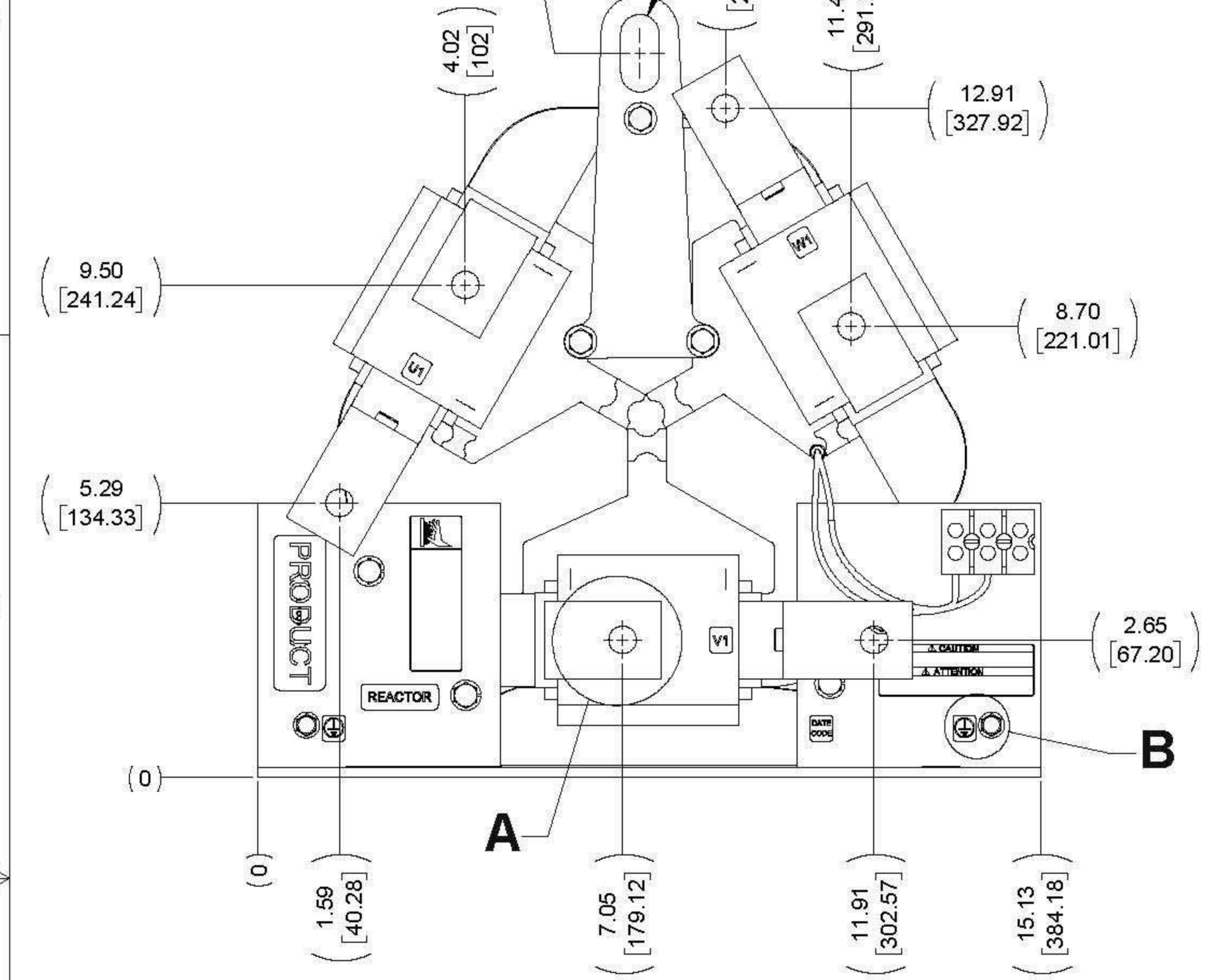
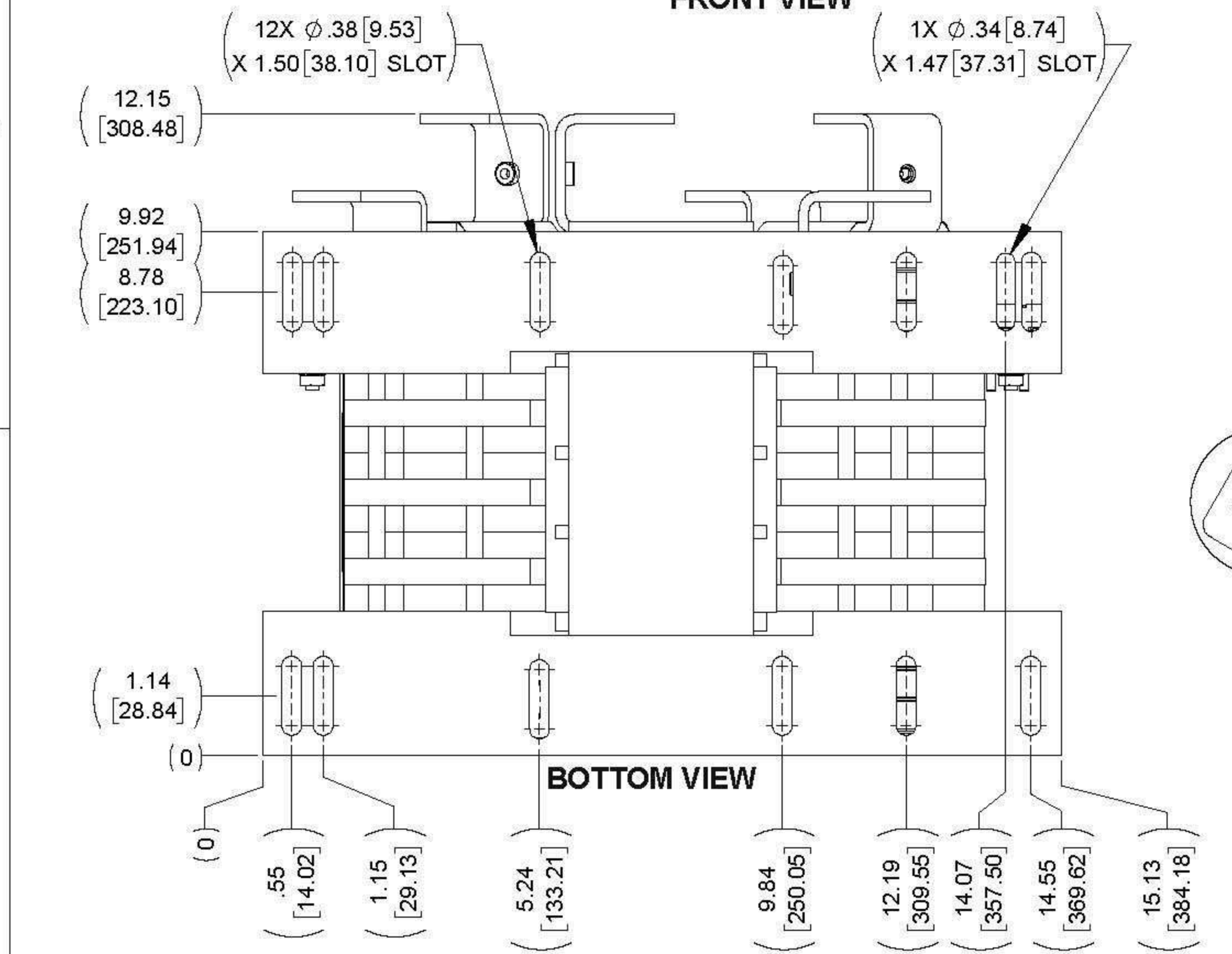


APPROX WEIGHT (LBS)
125

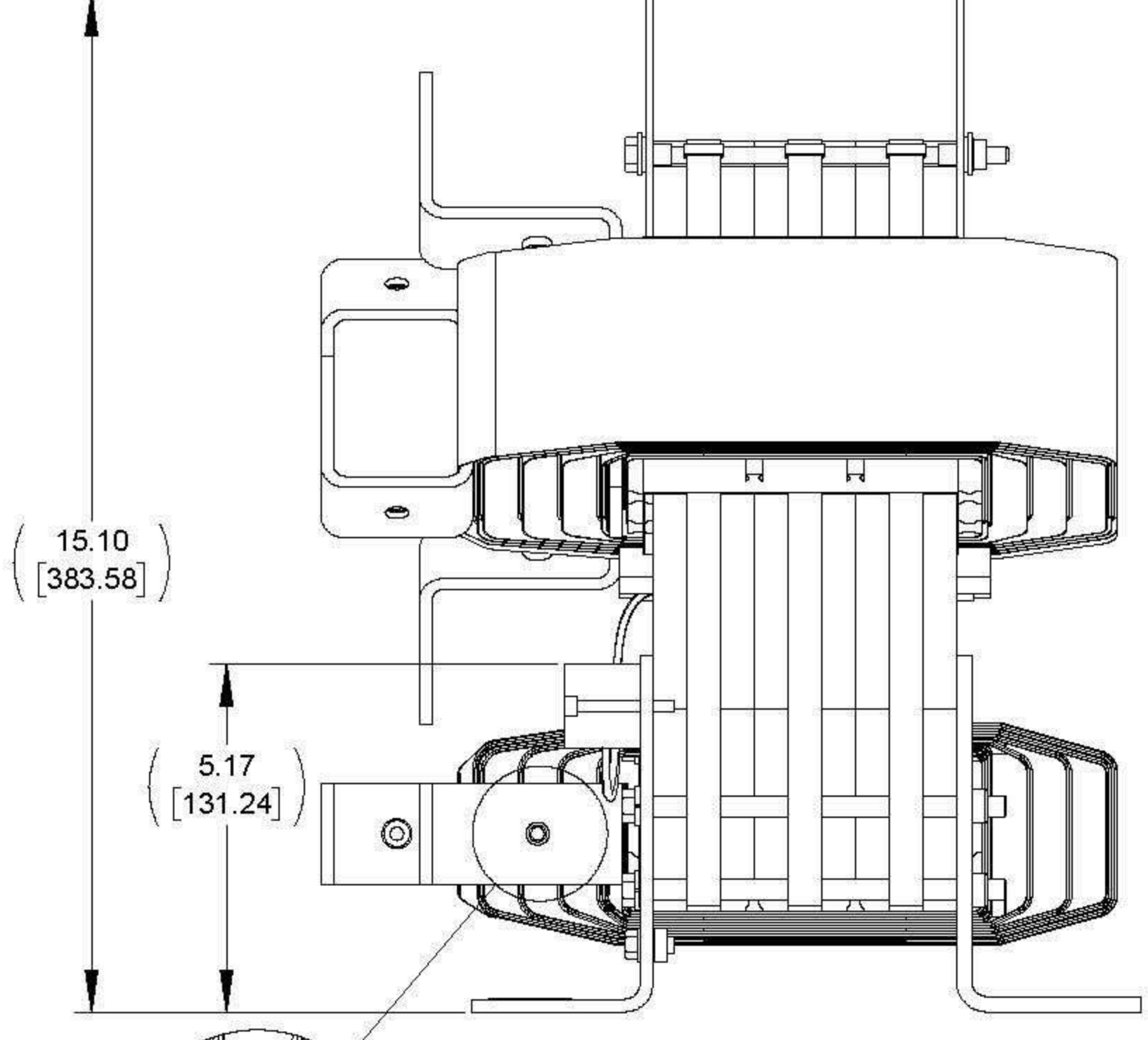
ECO No	DESCRIPTION	REV BY	DATE
M9495	DIAM 12.18 WAS 11.83	RAH	03/17/15



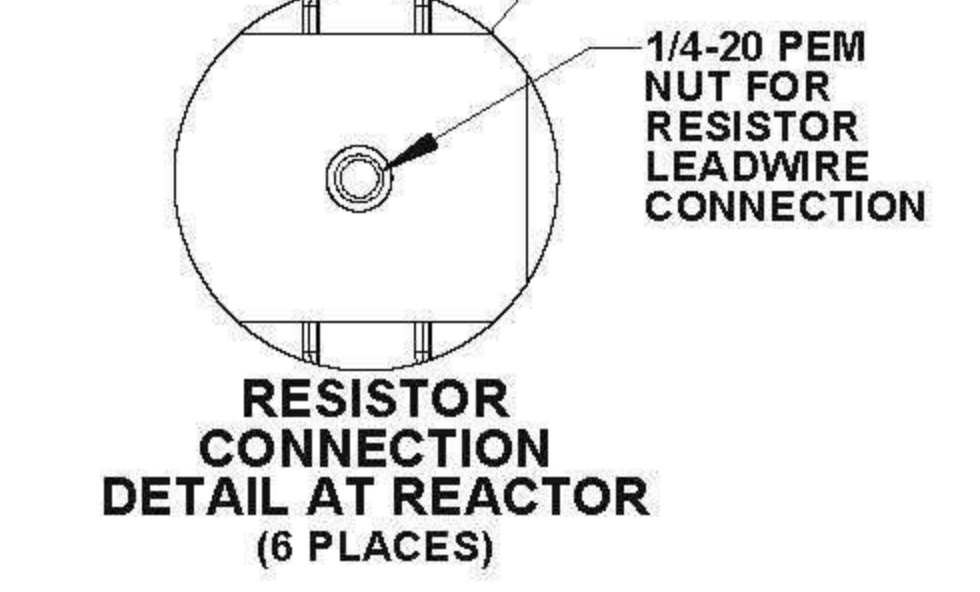
FRONT VIEW



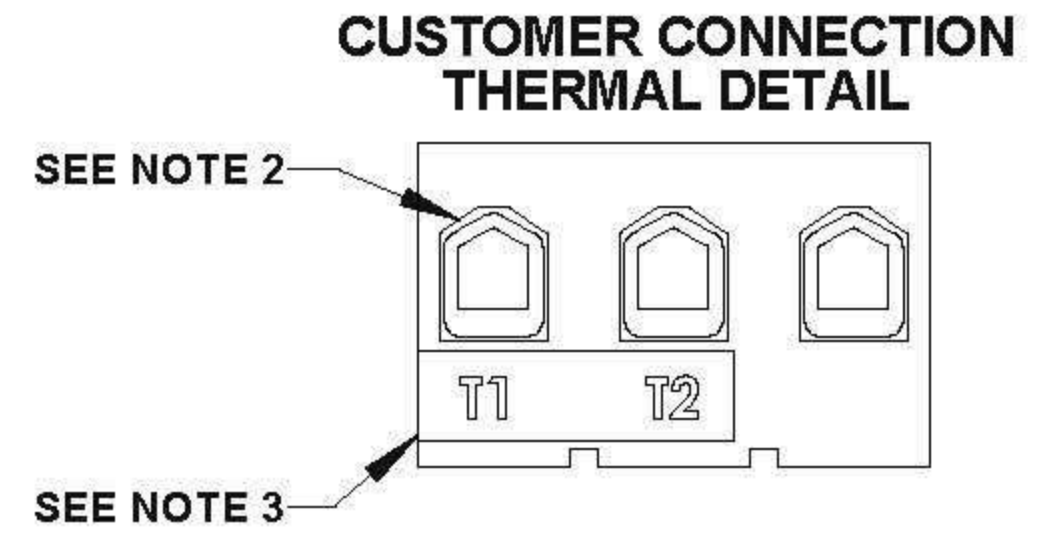
BOTTOM VIEW



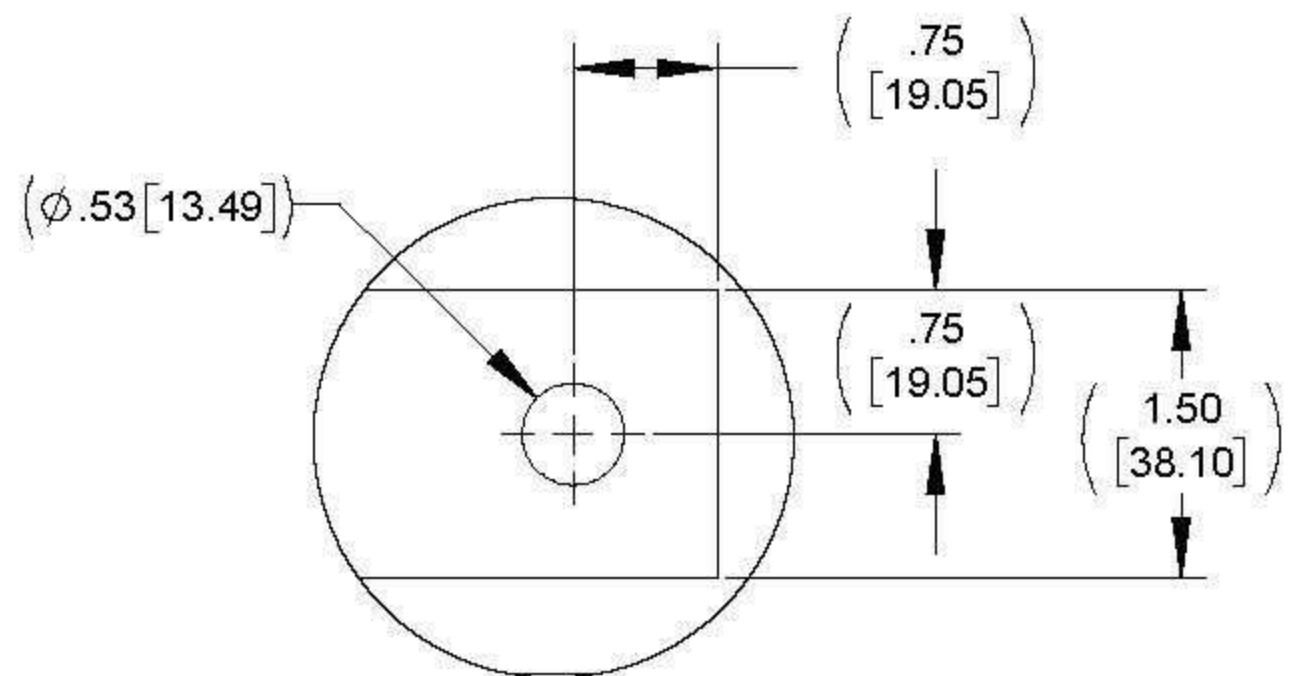
SIDE VIEW



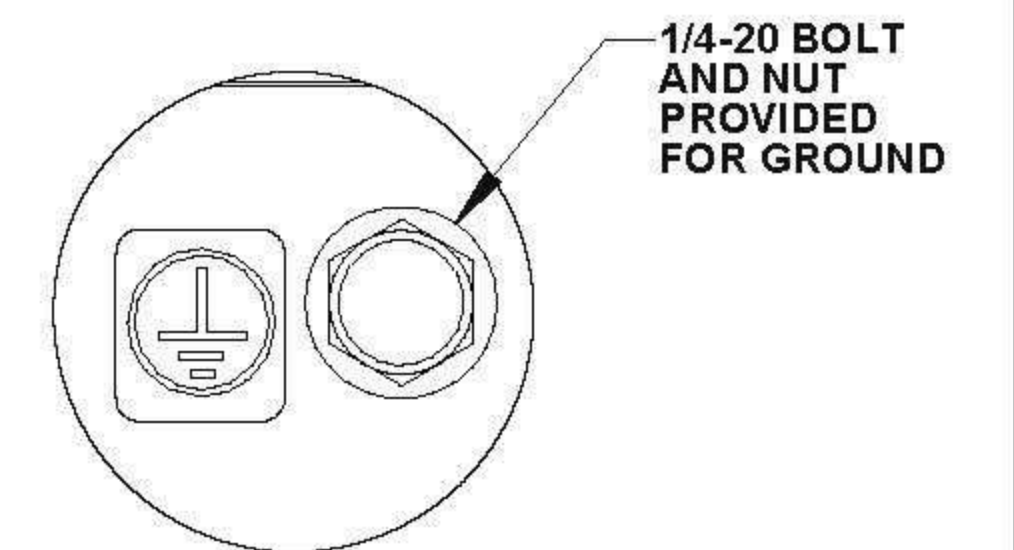
RESISTOR CONNECTION DETAIL AT REACTOR (6 PLACES)



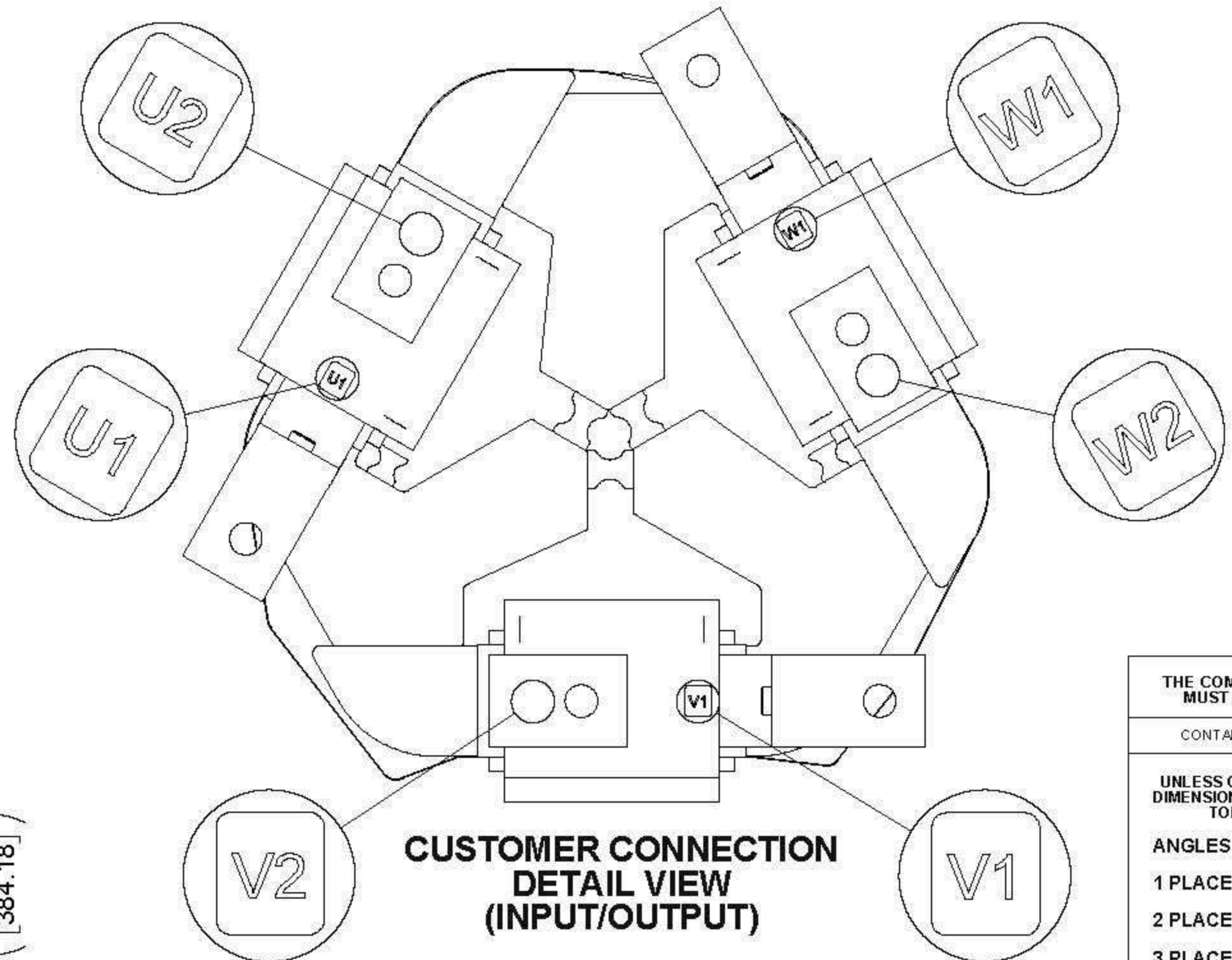
CUSTOMER CONNECTION THERMAL DETAIL



DETAIL A (INPUT/OUTPUT CONNECTION) (6 PLACES)



DETAIL B (GROUND CONNECTION) (2 PLACES)



CUSTOMER CONNECTION DETAIL VIEW (INPUT/OUTPUT)

NOTES:

1. FILTER REQUIRES MTE P/N: RESPANEL-013 (QTY. 1)
2. WIRE RANGE: 4-18 AWG.
3. TERMINAL SCREW TIGHTENING TORQUE: 16 IN/LBS, MAX.

THE COMPONENT, PART OR ASSEMBLY DESCRIBED IN THIS DOCUMENT MUST COMPLY WITH THE EU (EUROPEAN UNION) DIRECTIVE RoHS2		MATERIAL		CONFIDENTIAL AND PROPRIETARY INFORMATION	
CONTAINS <0.1% OF ANY SVHC BY WEIGHT PER REACH REGULATION				THIS DOCUMENT CONTAINS CONFIDENTIAL AND PROPRIETARY INFORMATION OF MTE CORPORATION AND MAY NOT BE USED, COPIED OR DISCLOSED TO OTHERS EXCEPT WITH THE AUTHORIZED WRITTEN PERMISSION OF MTE CORPORATION	
UNLESS OTHERWISE SPECIFIED DIMENSIONS ARE IN INCHES (MM) TOLERANCES ARE:				DESCRIPTION	
ANGLES: ± 1°				DV SENTRY 365A 380-600V FILTER, OPEN PANEL	
1 PLACE .X: ± .1 [2.5]		DRAWN MM 07/31/14		SIZE D	
2 PLACE .XX: ± .03 [0.76]		CHECKED RH 03/18/15		DWG No. CD DVSP0365E	
3 PLACE .XXX: ± .010 [0.254]		APPROVED RH 03/18/15		REV 02	
				SCALE 1:2	
				SHEET 1 OF 1	



N83 W1 3330 Leon Road
Menomonee Falls, WI 53051 USA
800.455.4683
262.253.8200