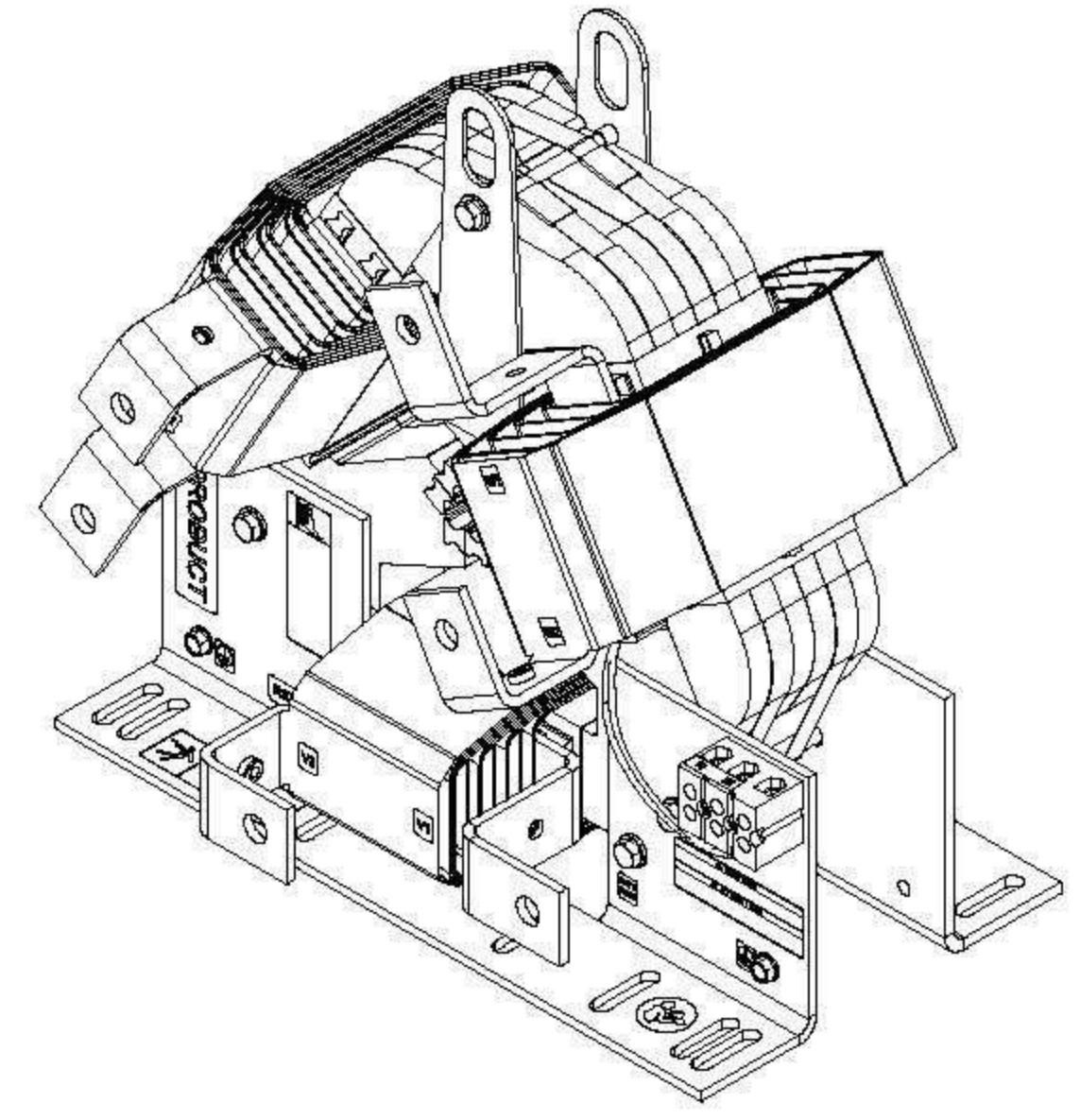
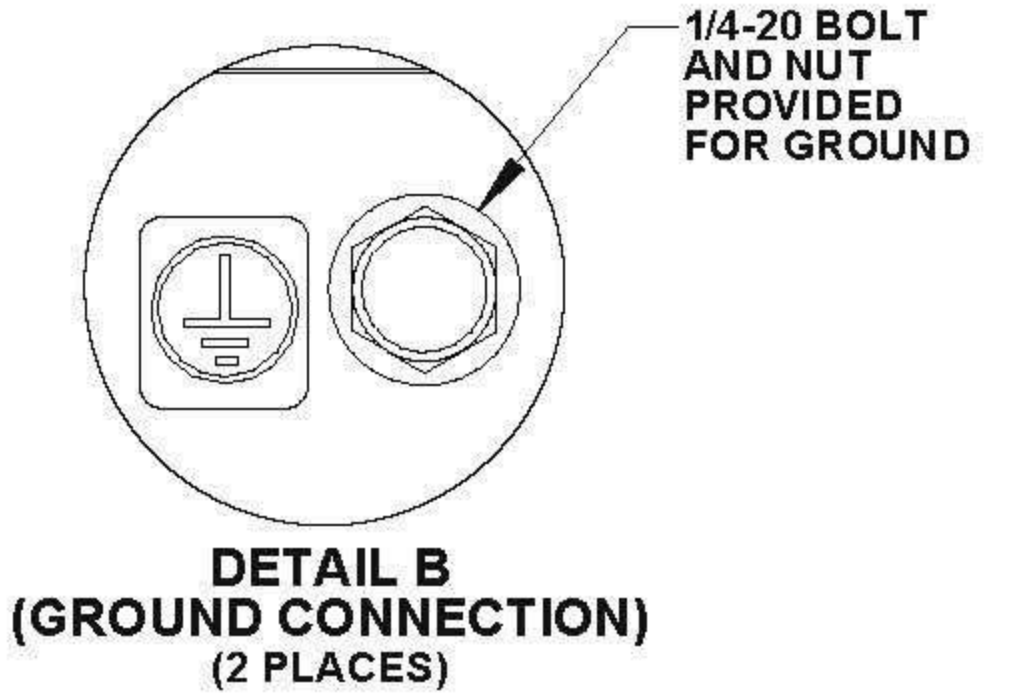
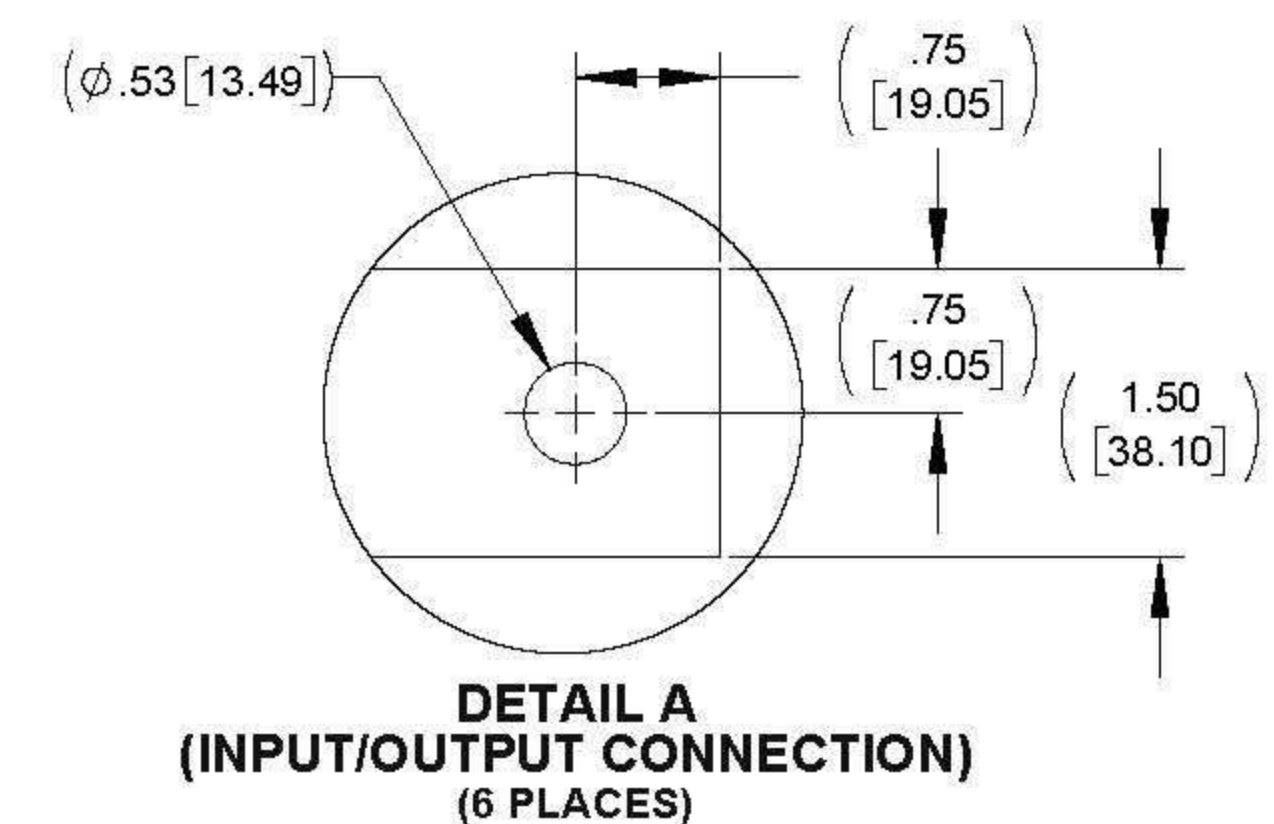
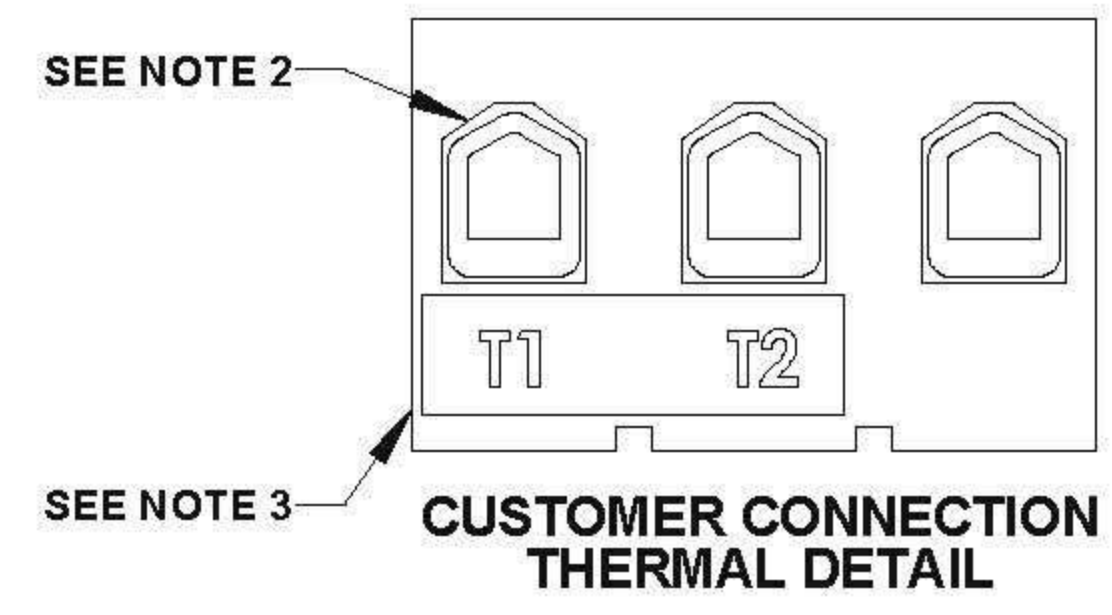
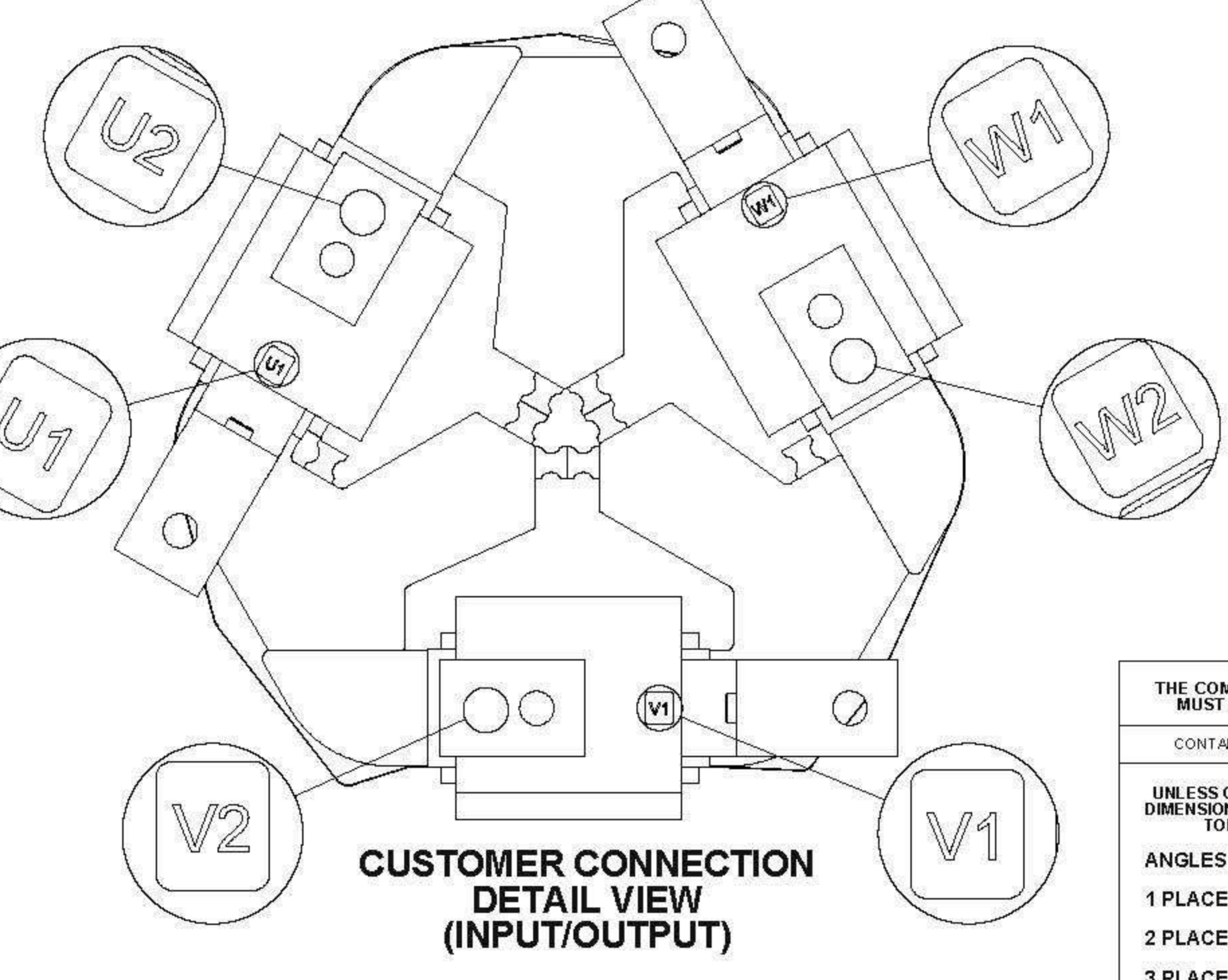
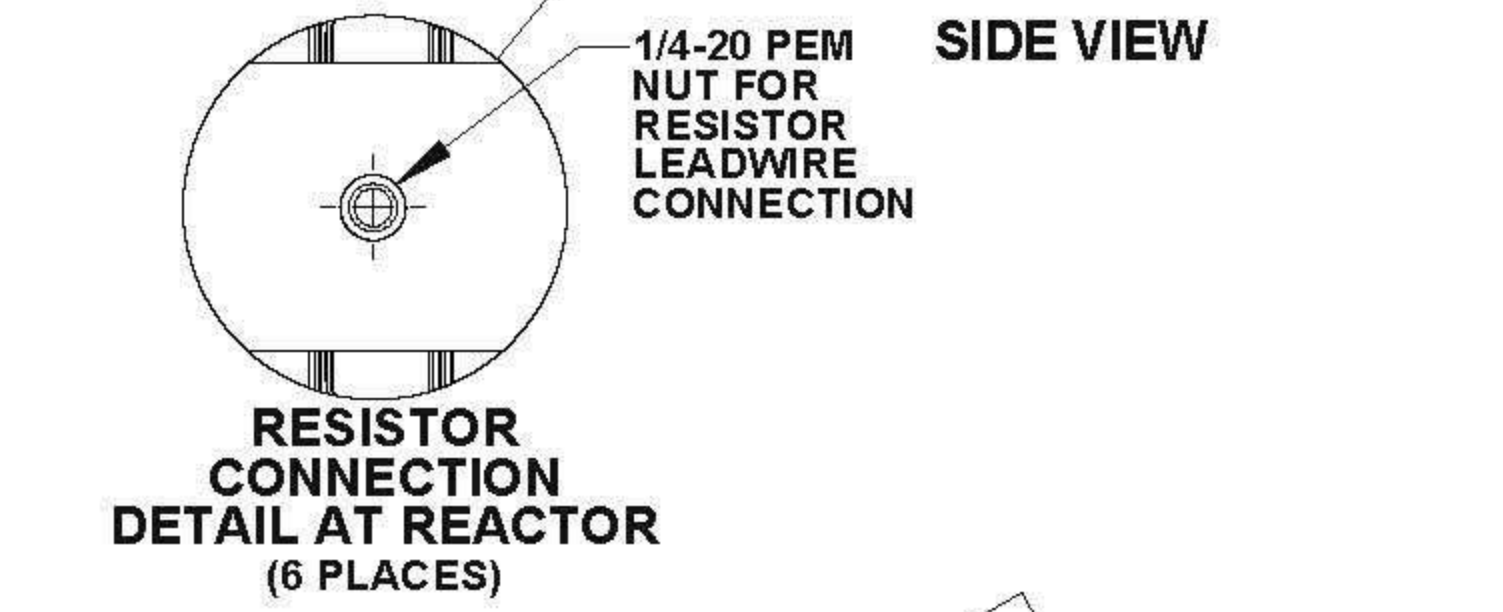
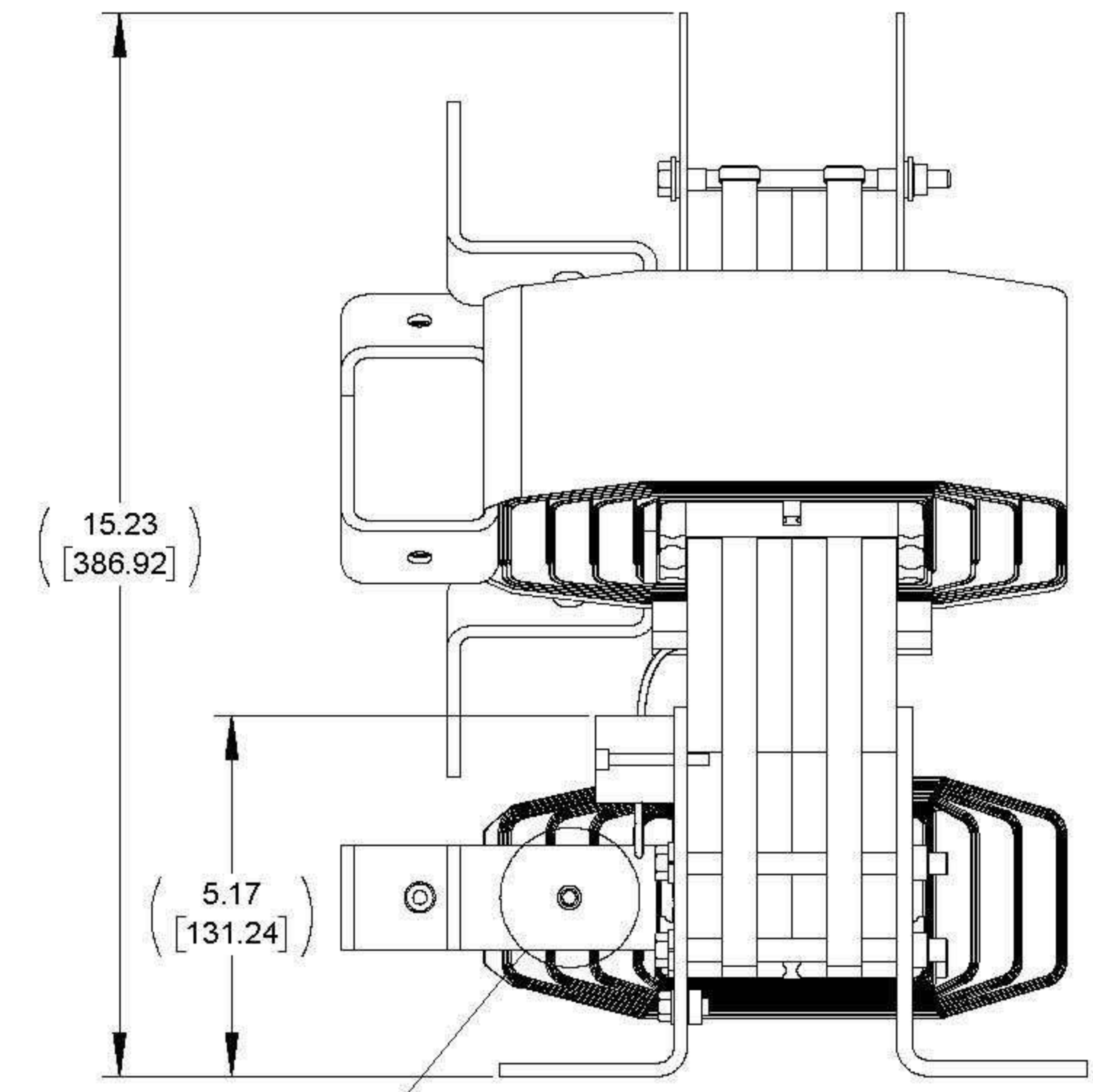
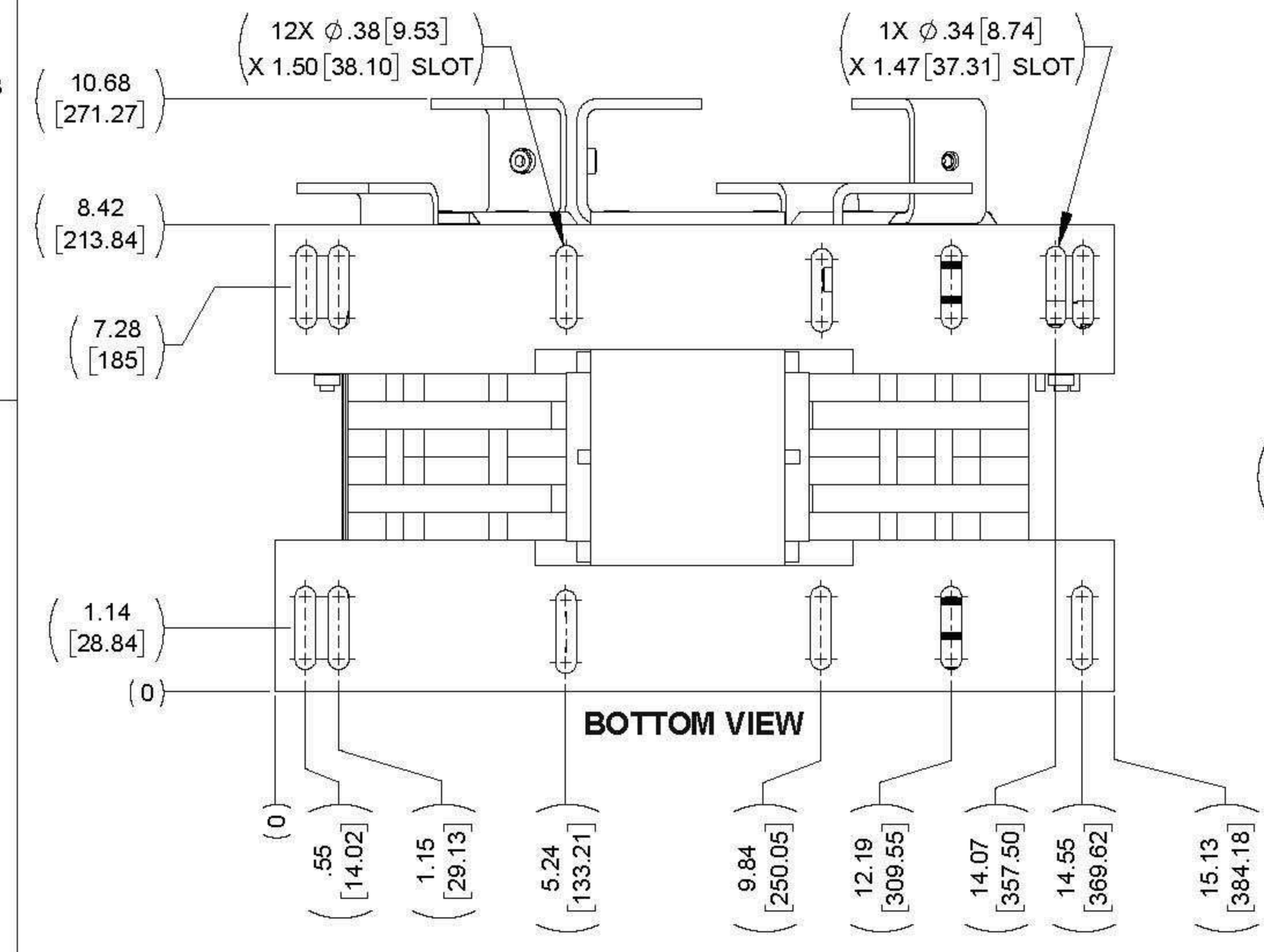
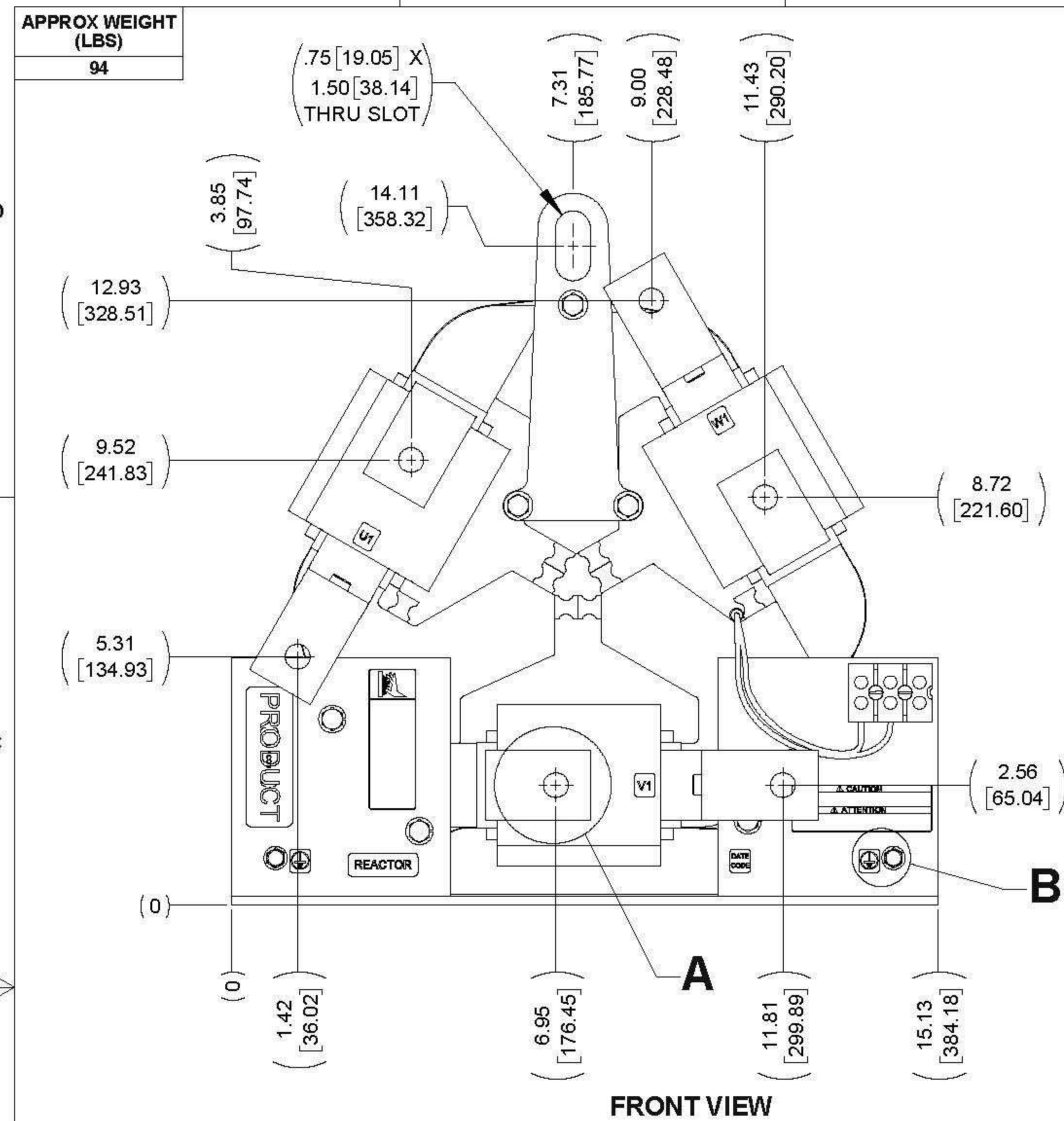


ECO No	DESCRIPTION	REVBY	DATE
M9495	DIM 10.79 WAS 10.40	RAH	03/17/15



- NOTES:**
1. FILTER REQUIRES MTE P/N: RESPANEL-013 (QTY. 1)
  2. WIRE RANGE: 4-18 AWG.
  3. TERMINAL SCREW TIGHTENING TORQUE: 16 IN/LBS, MAX.

THE COMPONENT, PART OR ASSEMBLY DESCRIBED IN THIS DOCUMENT MUST COMPLY WITH THE EU (EUROPEAN UNION) DIRECTIVE RoHS2		MATERIAL		CONFIDENTIAL AND PROPRIETARY INFORMATION THIS DOCUMENT CONTAINS CONFIDENTIAL AND PROPRIETARY INFORMATION OF MTE CORPORATION AND MAY NOT BE USED, COPIED OR DISCLOSED TO OTHERS EXCEPT WITH THE AUTHORIZED WRITTEN PERMISSION OF MTE CORPORATION	
CONTAINS <0.1% OF ANY SVHC BY WEIGHT PER REACH REGULATION				DESCRIPTION	
UNLESS OTHERWISE SPECIFIED DIMENSIONS ARE IN INCHES (MM) TOLERANCES ARE:				DV SENTRY 305A 380-600V FILTER, OPEN PANEL	
ANGLES: ± 1°		DRAWN		SIZE	
1 PLACE .X: ± .1 [2.5]		MM		D	
2 PLACE .XX: ± .03 [0.76]		DATE		DWG No.	
3 PLACE .XXX: ± .010 [0.254]		07/31/14		CD DVSP0305E	
		CHECKED		REV	
		RH		03	
		DATE		SCALE	
		03/18/15		1:2	
		APPROVED		SHEET 1 OF 1	
		RH			
		DATE			
		03/18/15			

