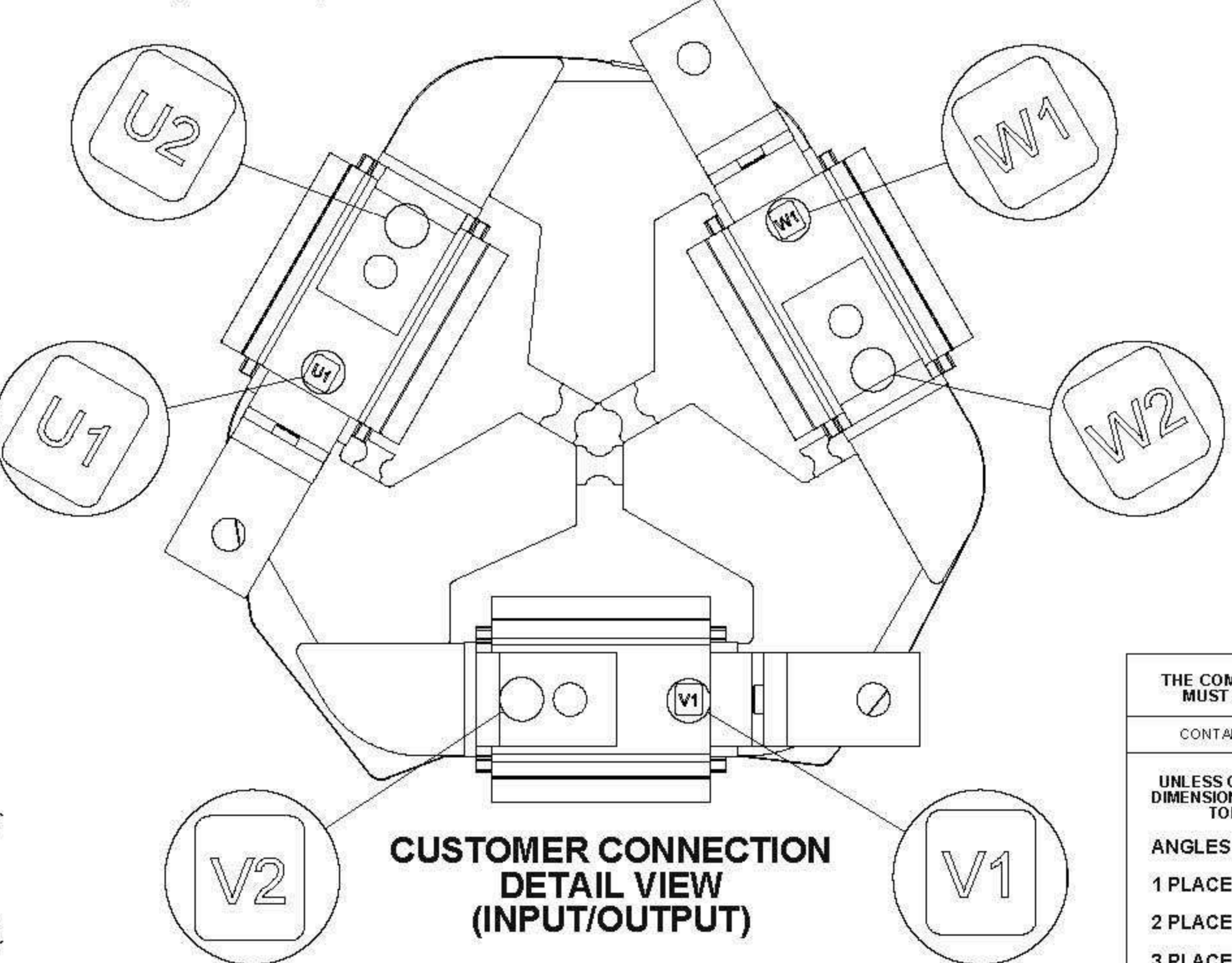
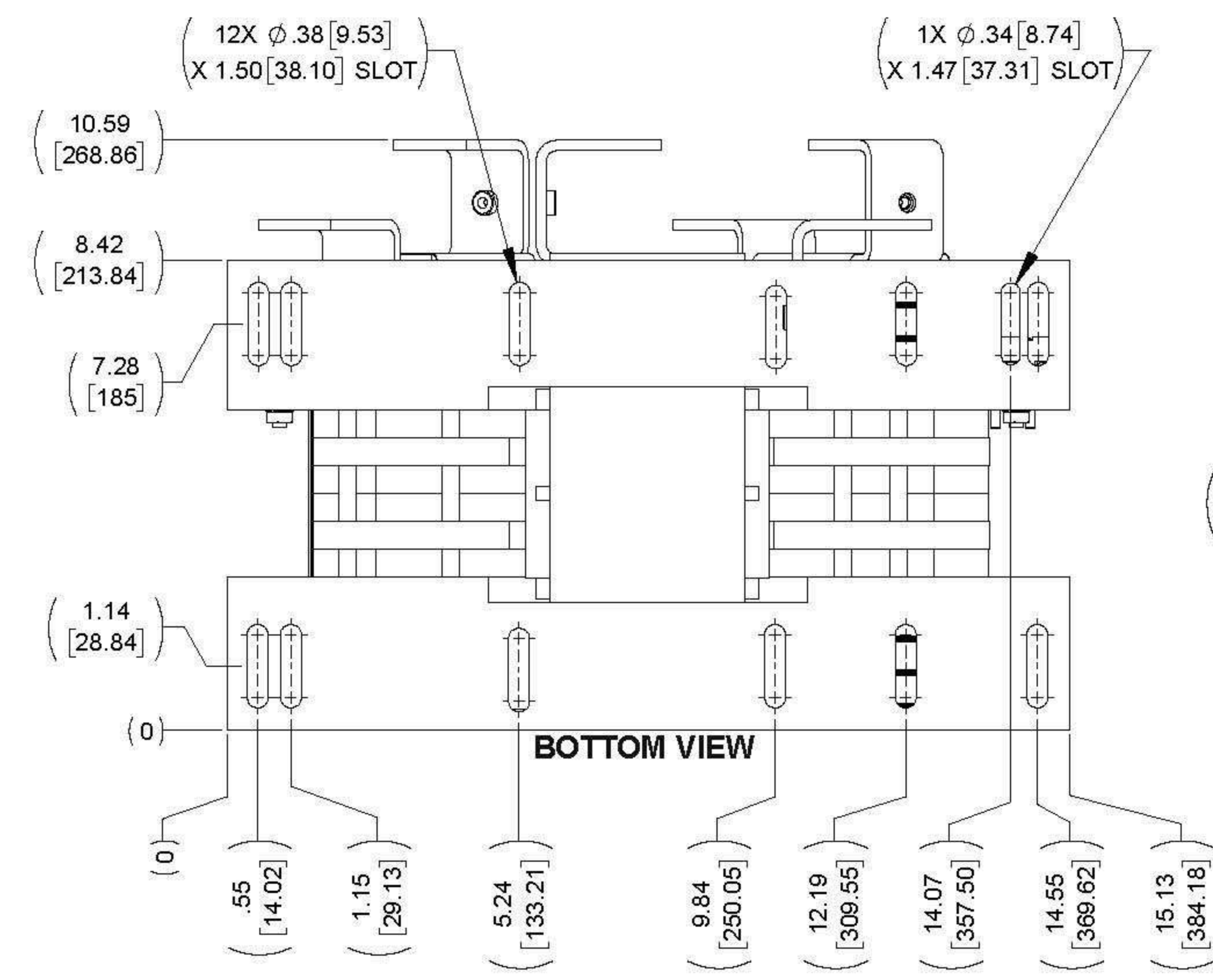
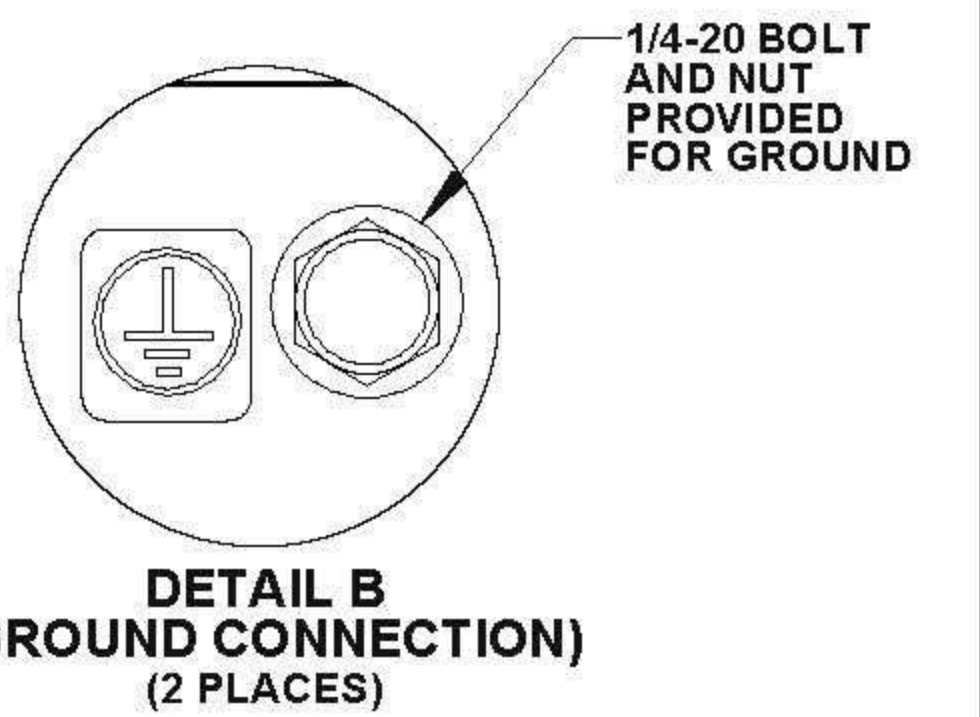
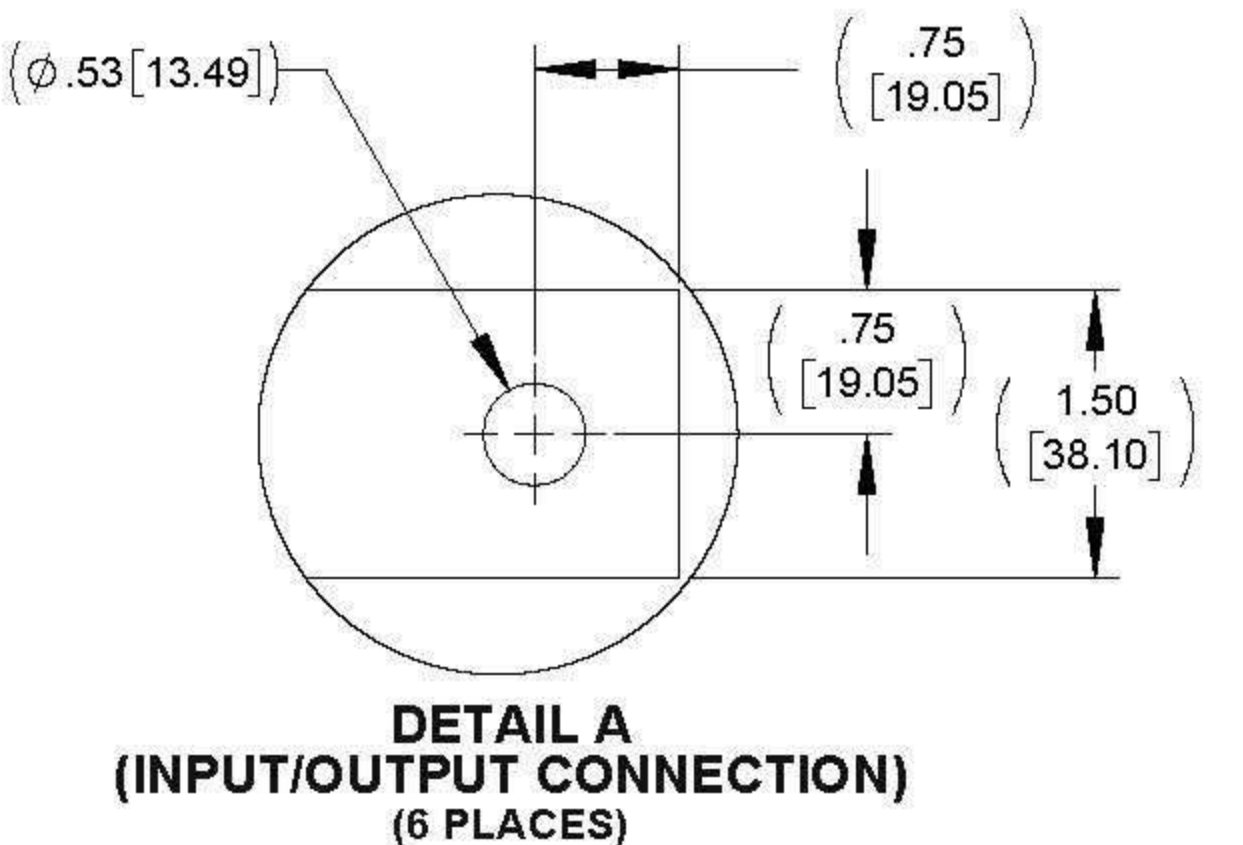
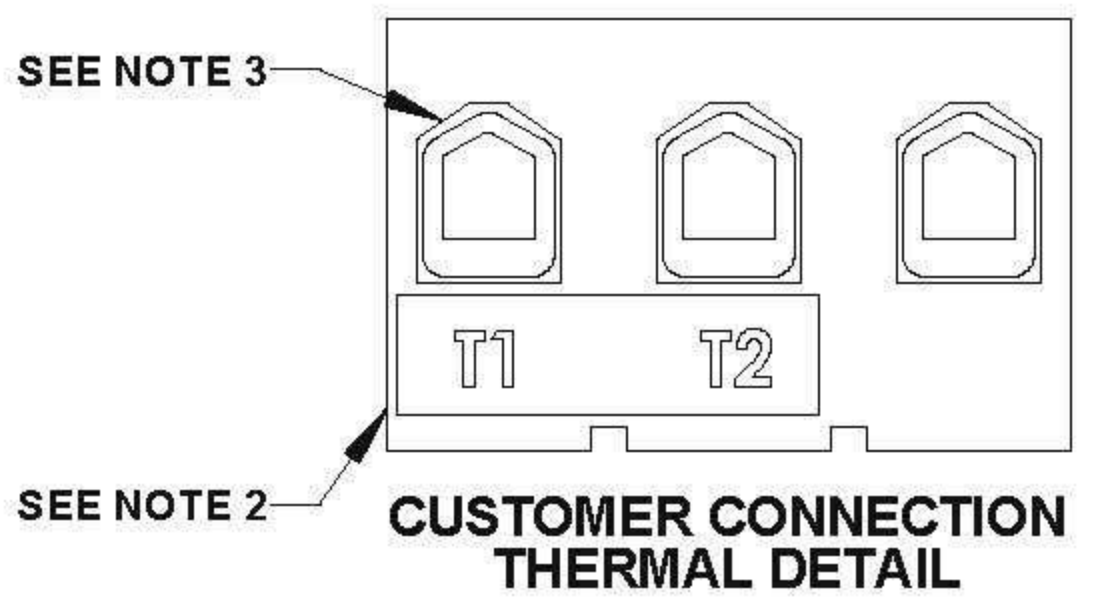
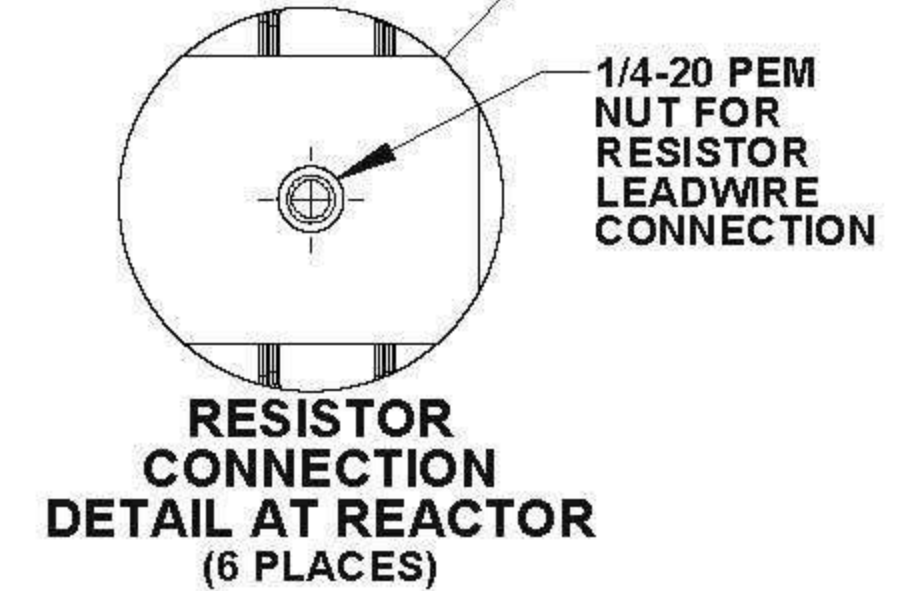
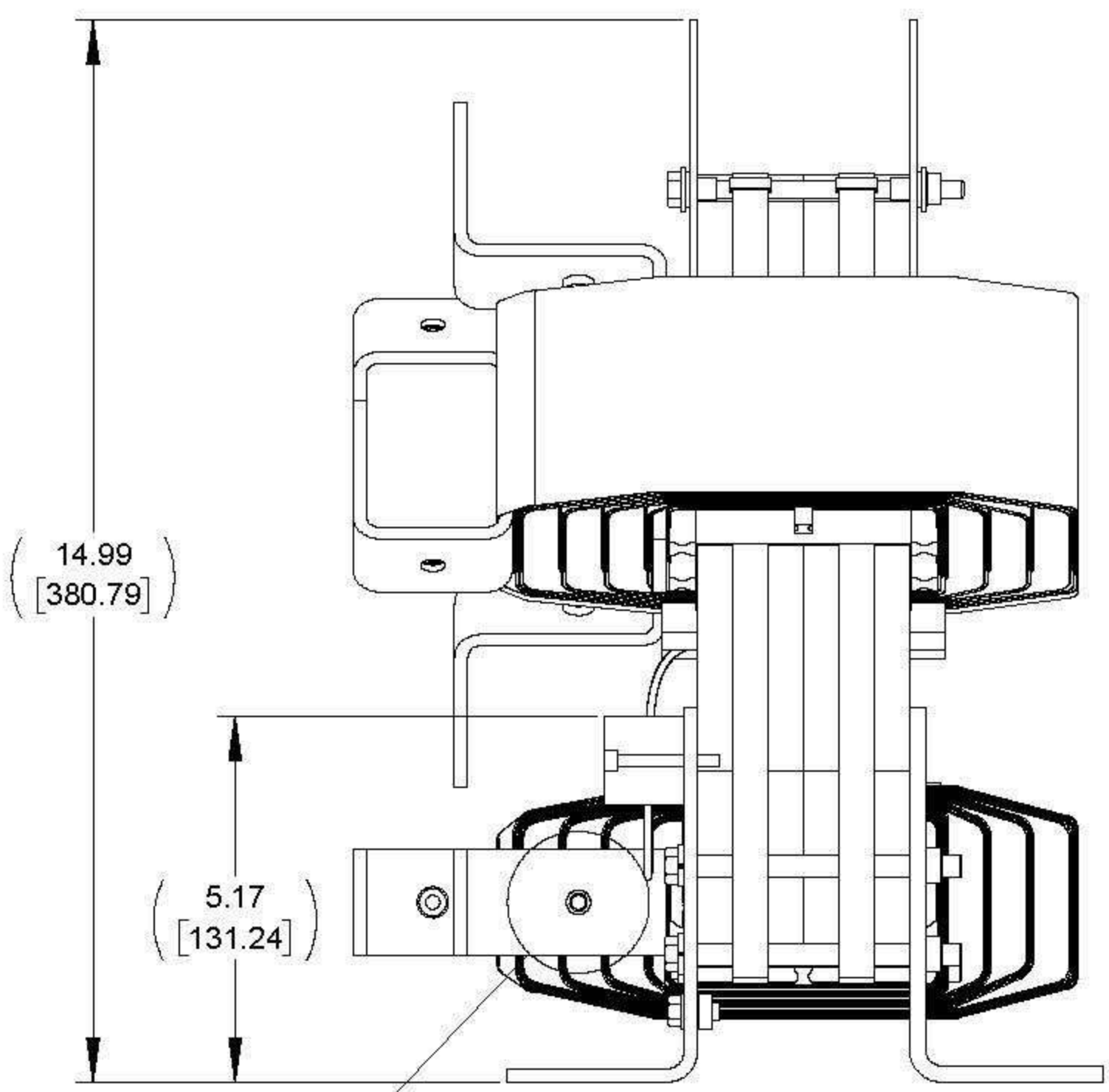
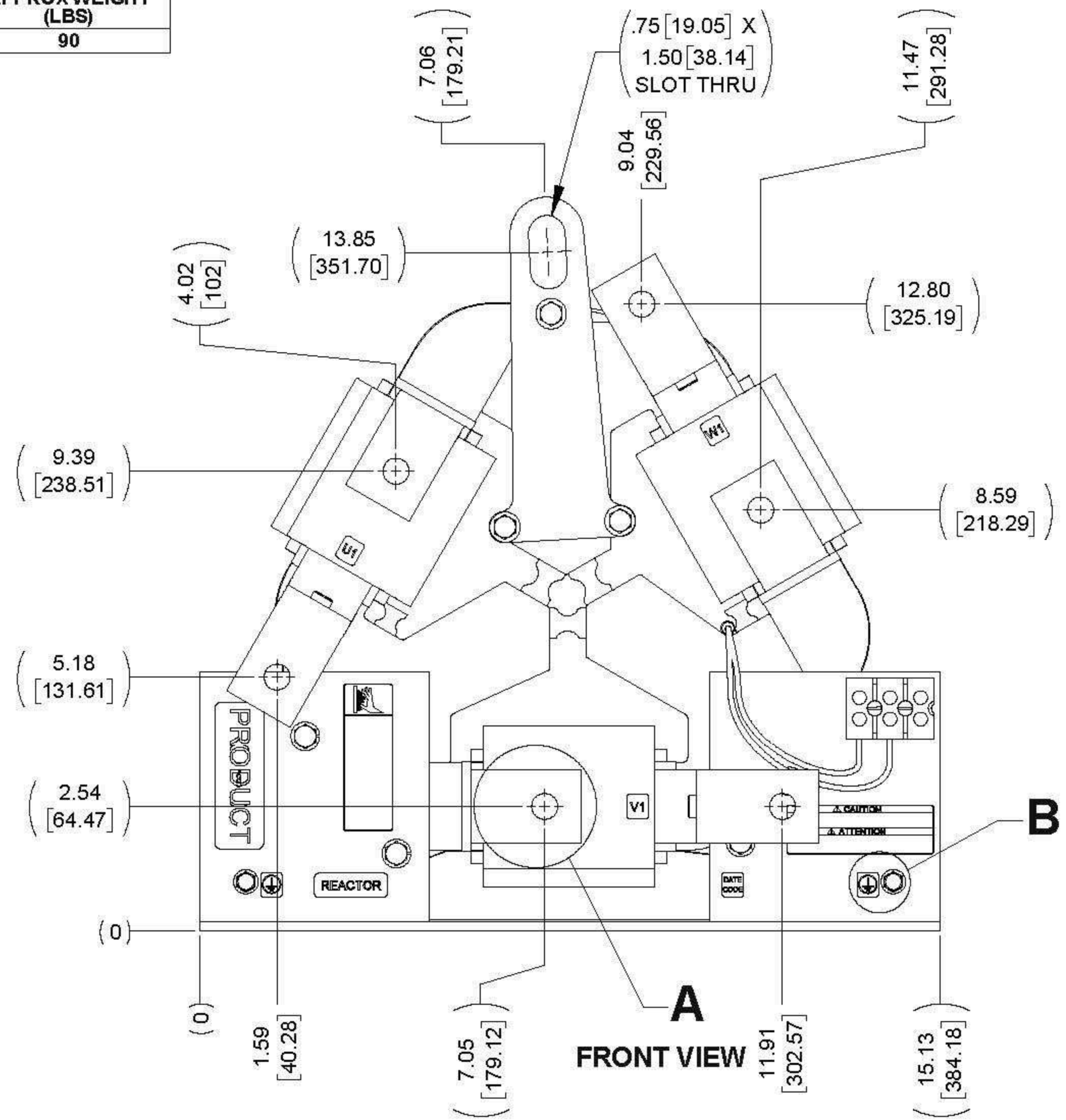


APPROX WEIGHT (LBS)
90

ECO No	DESCRIPTION	REVBY	DATE
M9495	DIM 10.79 WAS 10.30 SHOWED BANDING AROUND BOLTS	RAH	03/17/15



- NOTES:**
1. FILTER REQUIRES MTE P/N: RESPANEL-013 (QTY. 1)
 2. WIRE RANGE: 4-18 AWG.
 3. TERMINAL SCREW TIGHTENING TORQUE: 16 IN/LBS, MAX.

<p>THE COMPONENT, PART OR ASSEMBLY DESCRIBED IN THIS DOCUMENT MUST COMPLY WITH THE EU (EUROPEAN UNION) DIRECTIVE RoHS2</p> <p>CONTAINS <0.1% OF ANY SVHC BY WEIGHT PER REACH REGULATION</p>		<p>MATERIAL</p>		<p>CONFIDENTIAL AND PROPRIETARY INFORMATION THIS DOCUMENT CONTAINS CONFIDENTIAL AND PROPRIETARY INFORMATION OF MTE CORPORATION AND MAY NOT BE USED, COPIED OR DISCLOSED TO OTHERS EXCEPT WITH THE AUTHORIZED WRITTEN PERMISSION OF MTE CORPORATION</p>	
<p>UNLESS OTHERWISE SPECIFIED DIMENSIONS ARE IN INCHES (MM) TOLERANCES ARE:</p> <p>ANGLES: ± 1°</p> <p>1 PLACE .X: ± .1 [2.5]</p> <p>2 PLACE .XX: ± .03 [0.76]</p> <p>3 PLACE .XXX: ± .010 [0.254]</p>		<p>MTE AN BL POWER ELECTRONICS COMPANY</p> <p>N83 W13330 Leon Road Menomonee Falls, WI 53051 USA 800.455.4693 262.253.8200</p>		<p>DESCRIPTION</p> <p>DV SENTRY 250A 380-600V FILTER, OPEN PANEL</p>	
<p>DRAWN MM DATE 07/31/14</p> <p>CHECKED RH DATE 03/18/15</p> <p>APPROVED RH DATE 03/18/15</p>		<p>SIZE D DWG No. CD DVSP0250E REV 03</p> <p>SCALE 1:2 SHEET 1 OF 1</p>			