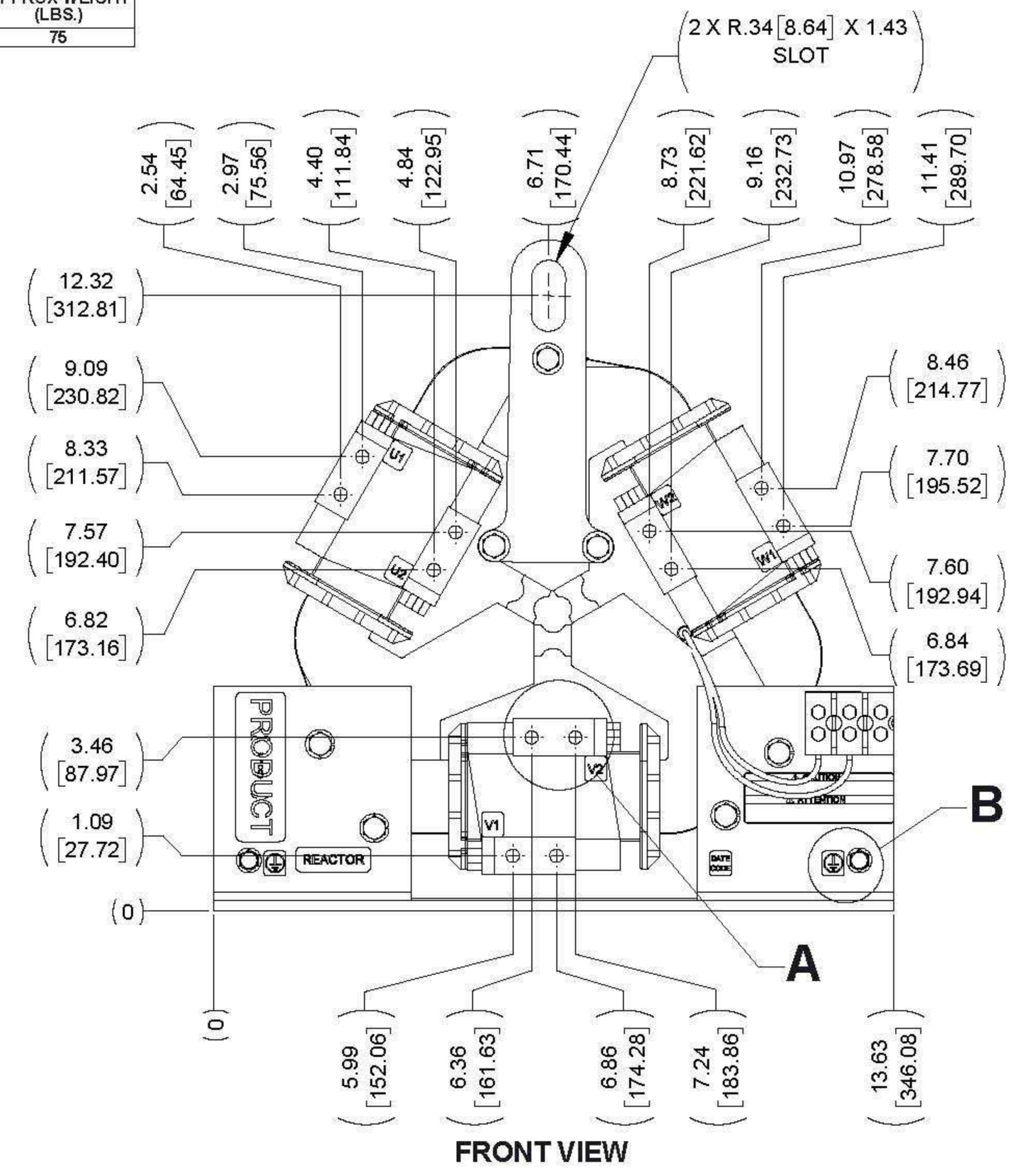
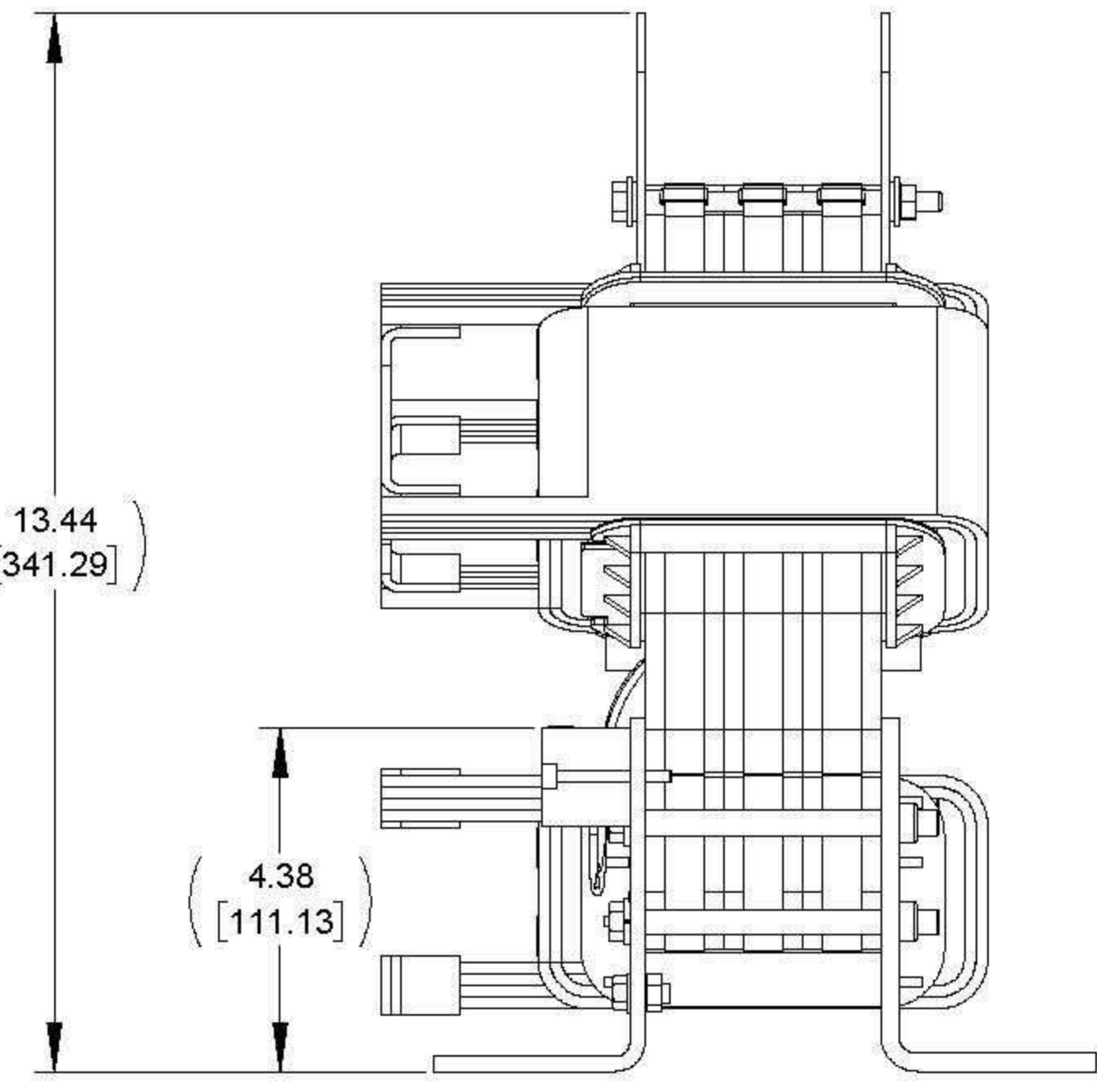


ECO No	DESCRIPTION	REVBY	DATE
M10379	UPDATED DESCRIPTION	AB	08/02/18

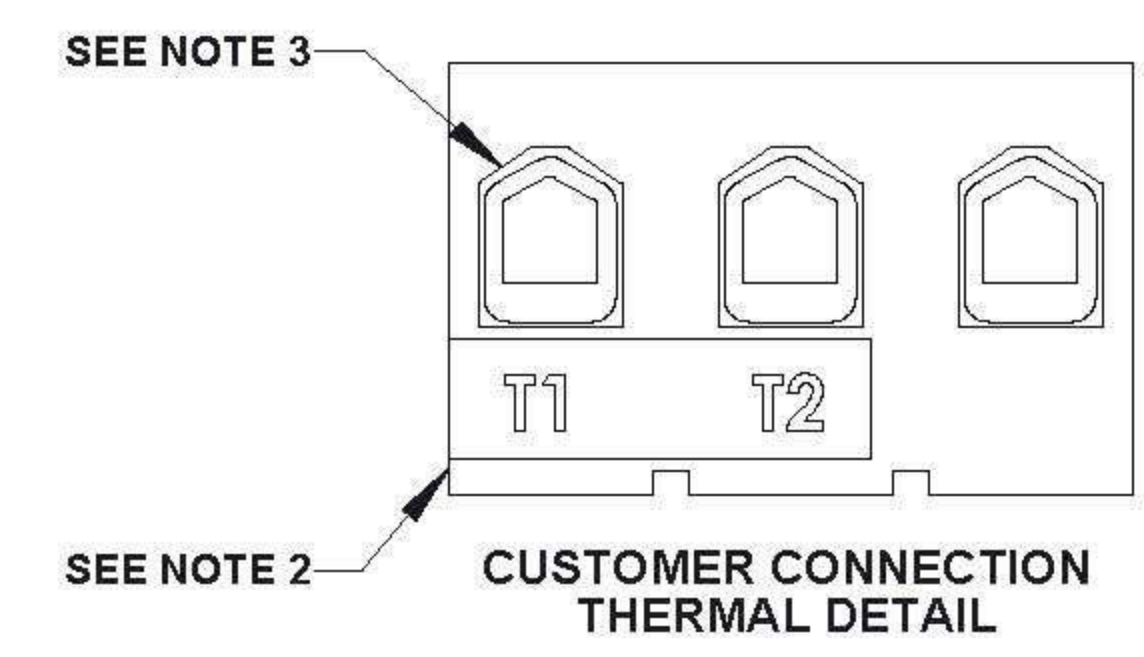
APPROX WEIGHT (LBS.)
75



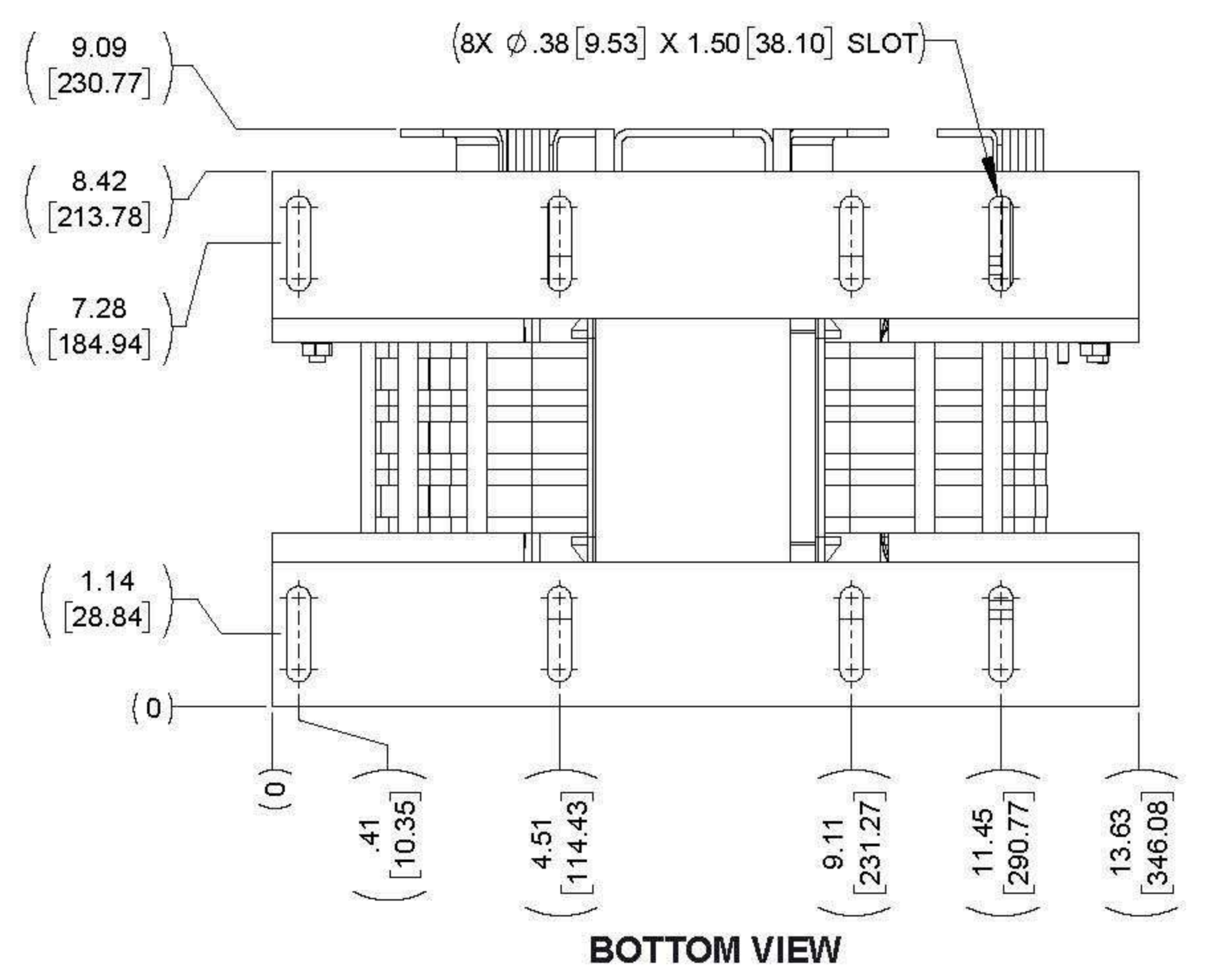
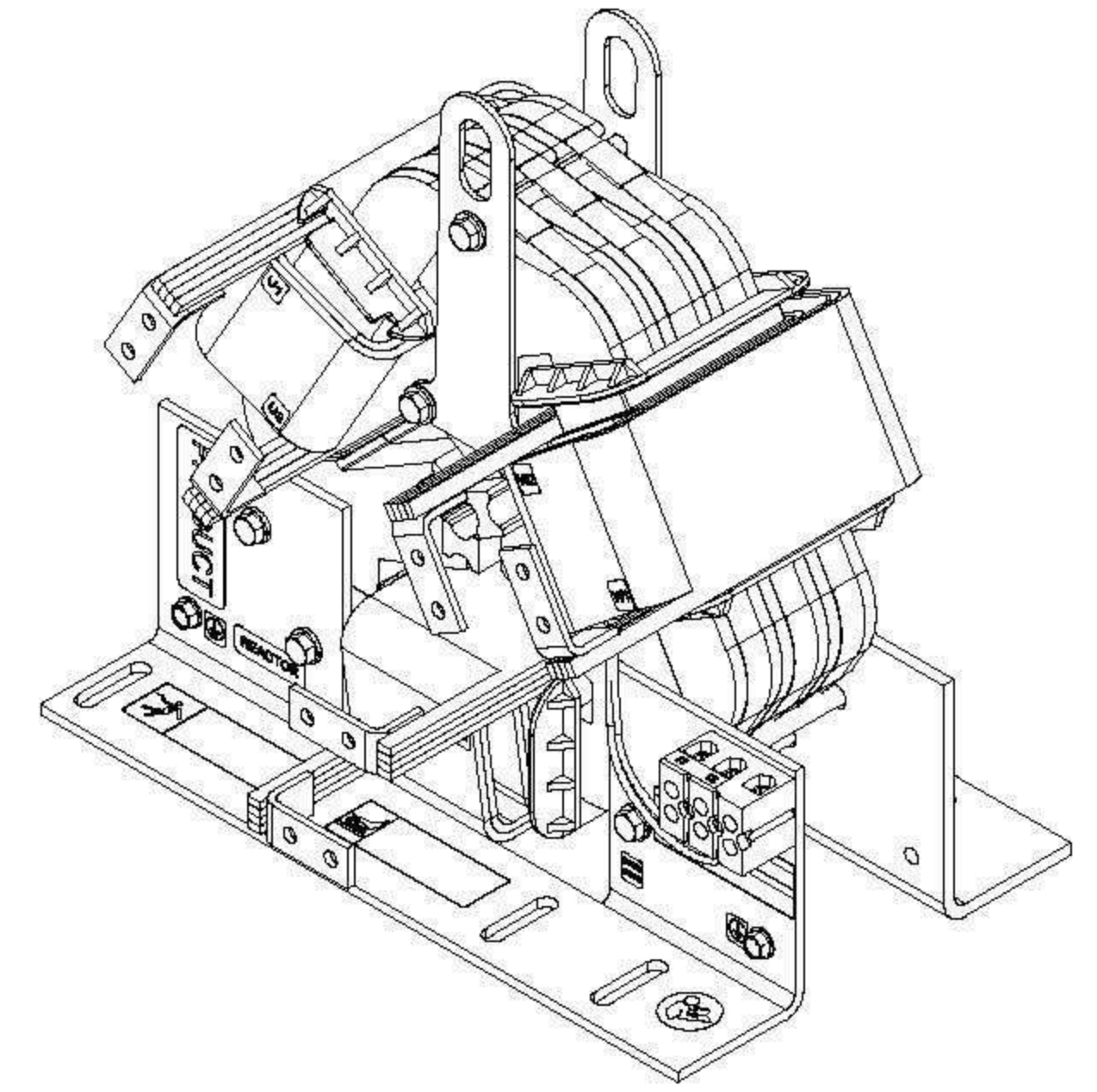
FRONT VIEW



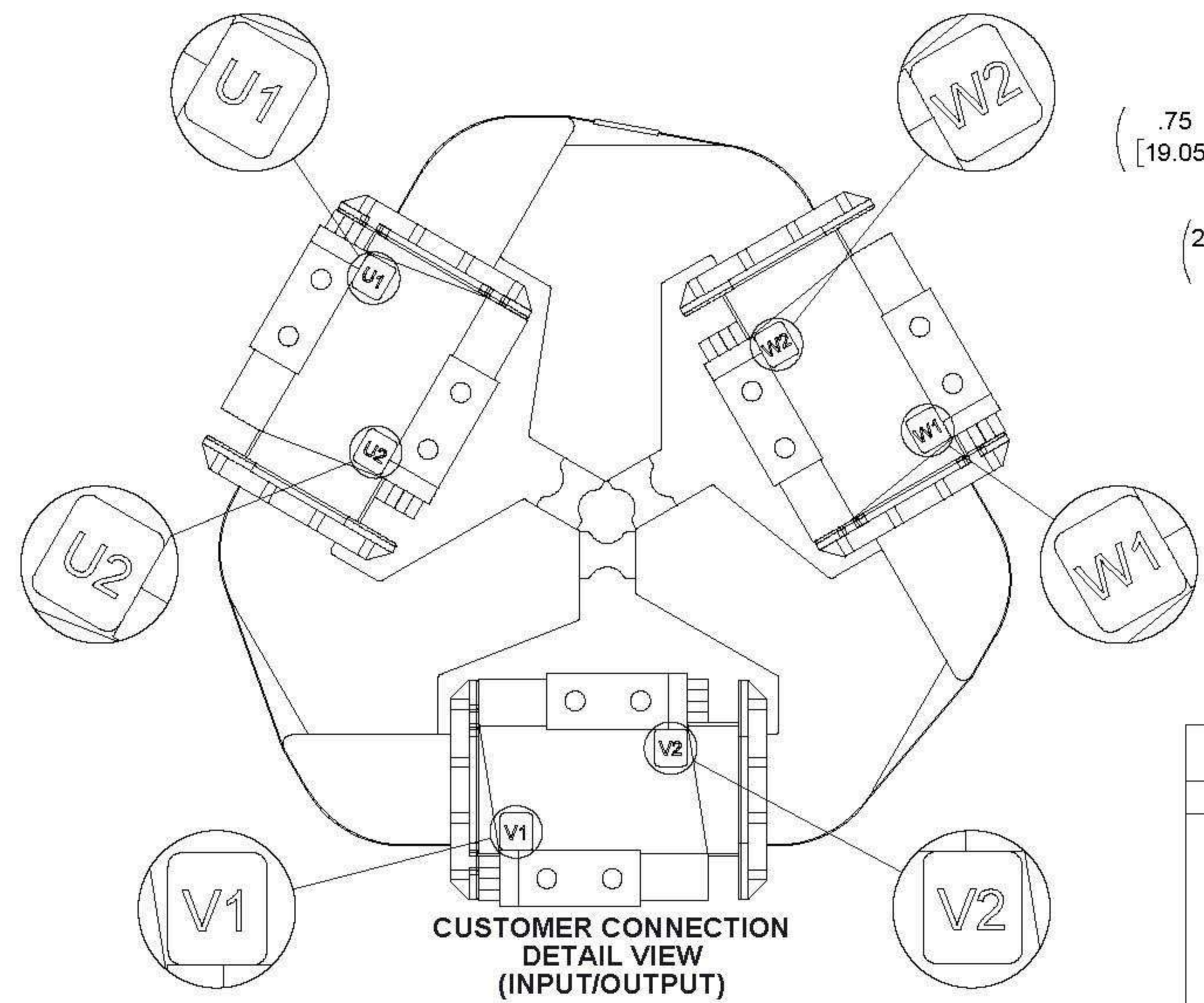
SIDE VIEW



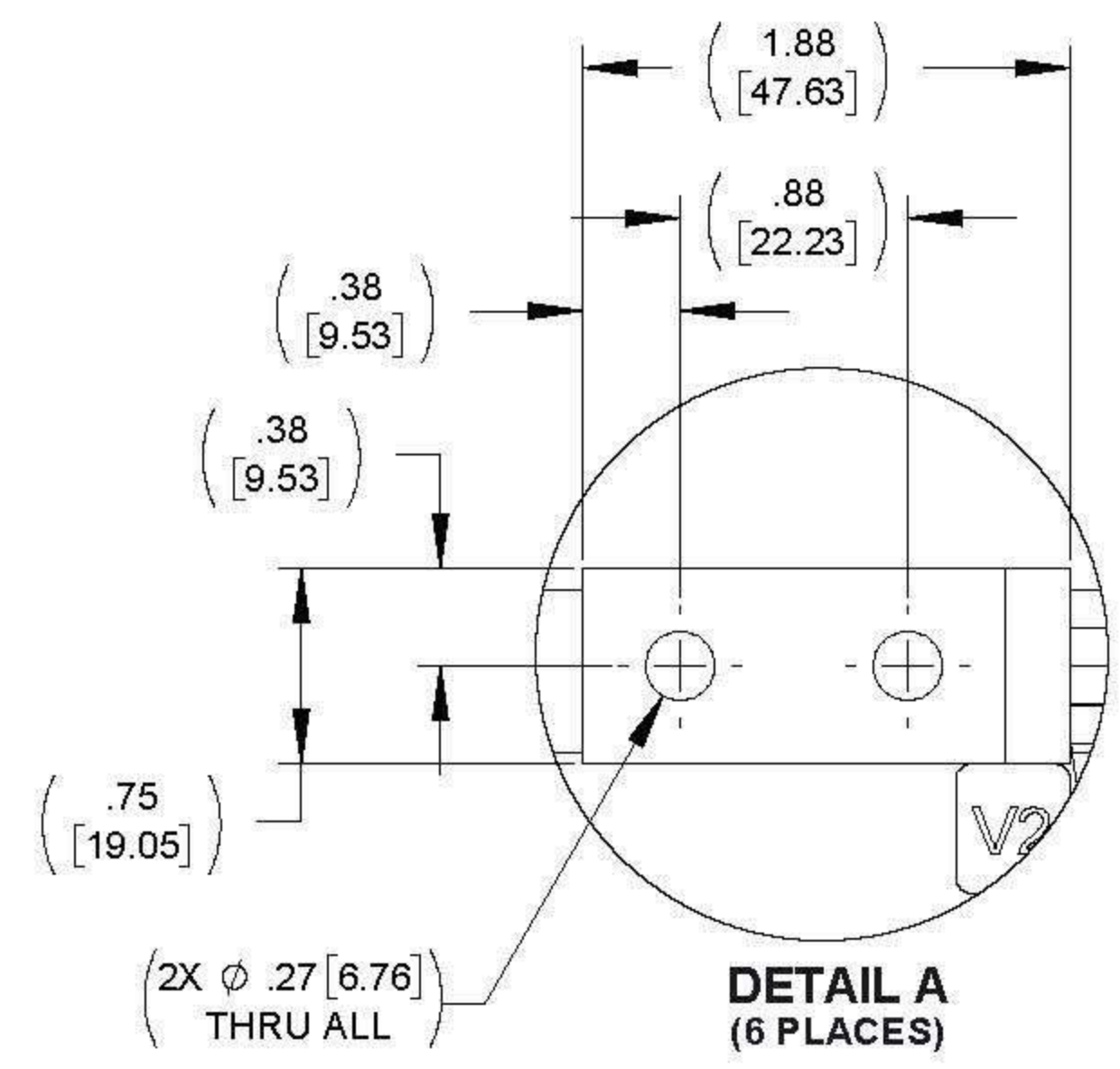
CUSTOMER CONNECTION THERMAL DETAIL



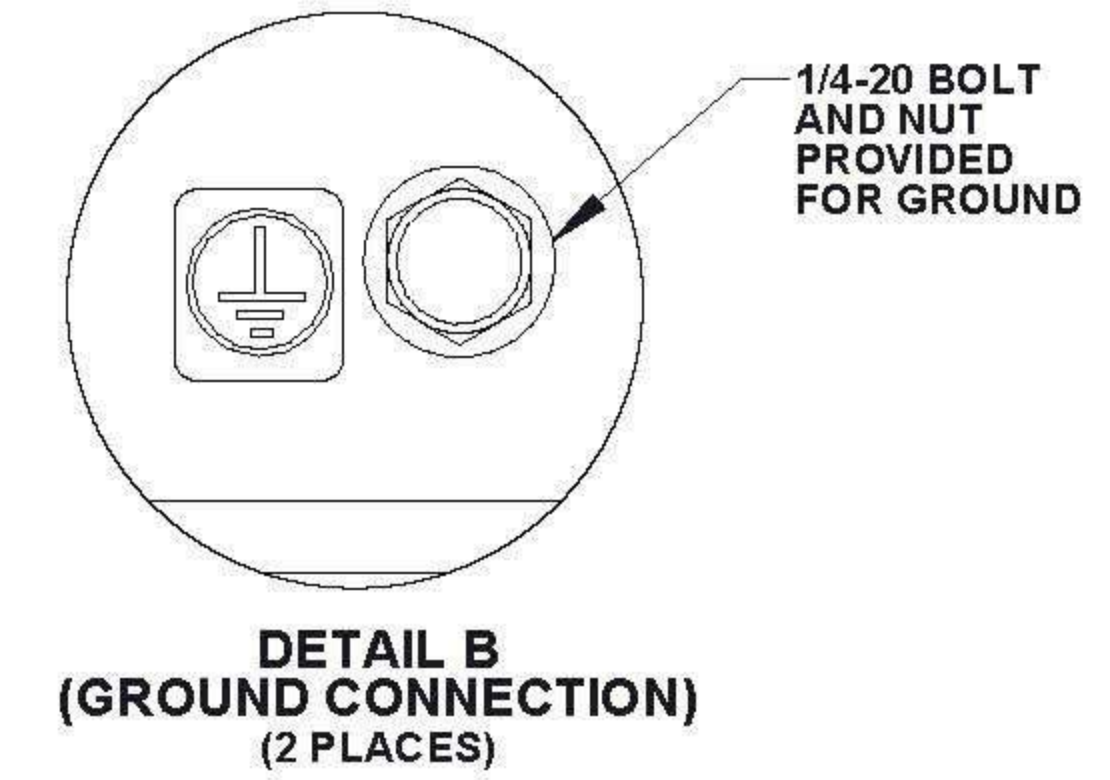
BOTTOM VIEW



CUSTOMER CONNECTION DETAIL VIEW (INPUT/OUTPUT)



DETAIL A (6 PLACES)



DETAIL B (GROUND CONNECTION) (2 PLACES)

NOTES:

1. FILTER REQUIRES MTE P/N: RESPANEL-012 (QTY. 1)
2. TERMINAL SCREW TIGHTENING TORQUE: 16 IN/LBS, MAX.
3. WIRE RANGE: 4-18 AWG

THE COMPONENT, PART OR ASSEMBLY DESCRIBED IN THIS DOCUMENT MUST COMPLY WITH THE EU (EUROPEAN UNION) DIRECTIVE RoHS2 CONTAINS <0.1% OF ANY SVHC BY WEIGHT PER REACH REGULATION		MATERIAL		CONFIDENTIAL AND PROPRIETARY INFORMATION THIS DOCUMENT CONTAINS CONFIDENTIAL AND PROPRIETARY INFORMATION OF MTE CORPORATION AND MAY NOT BE USED, COPIED OR DISCLOSED TO OTHERS EXCEPT WITH THE AUTHORIZED WRITTEN PERMISSION OF MTE CORPORATION	
UNLESS OTHERWISE SPECIFIED DIMENSIONS ARE IN INCHES (MM) TOLERANCES ARE: ANGLES: ± 1° 1 PLACE .X: ± .1 [2.5] 2 PLACE .XX: ± .03 [0.76] 3 PLACE .XXX: ± .010 [0.254]				DESCRIPTION DV SENTRY 200A 208-600V FILTER, OPEN PANEL	
DRAWN MM 07/25/14 CHECKED AB 08/02/18 APPROVED AK 09/26/18		DATE 07/25/14 DATE 08/02/18 DATE 09/26/18		SIZE D DWG No. CD DVSP0200E REV 03	
N83 W13330 Leon Road Menomonee Falls, WI 53051 USA 800.455.4693 262.253.8200		SCALE 1:2		SHEET 1 OF 1	