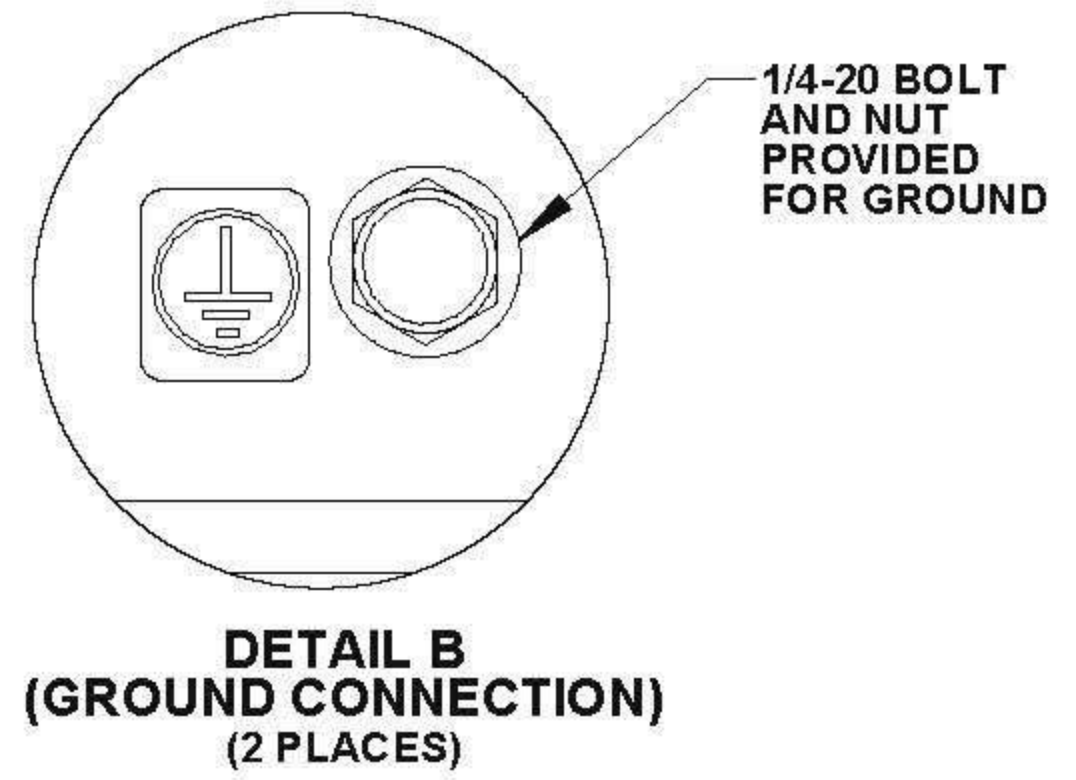
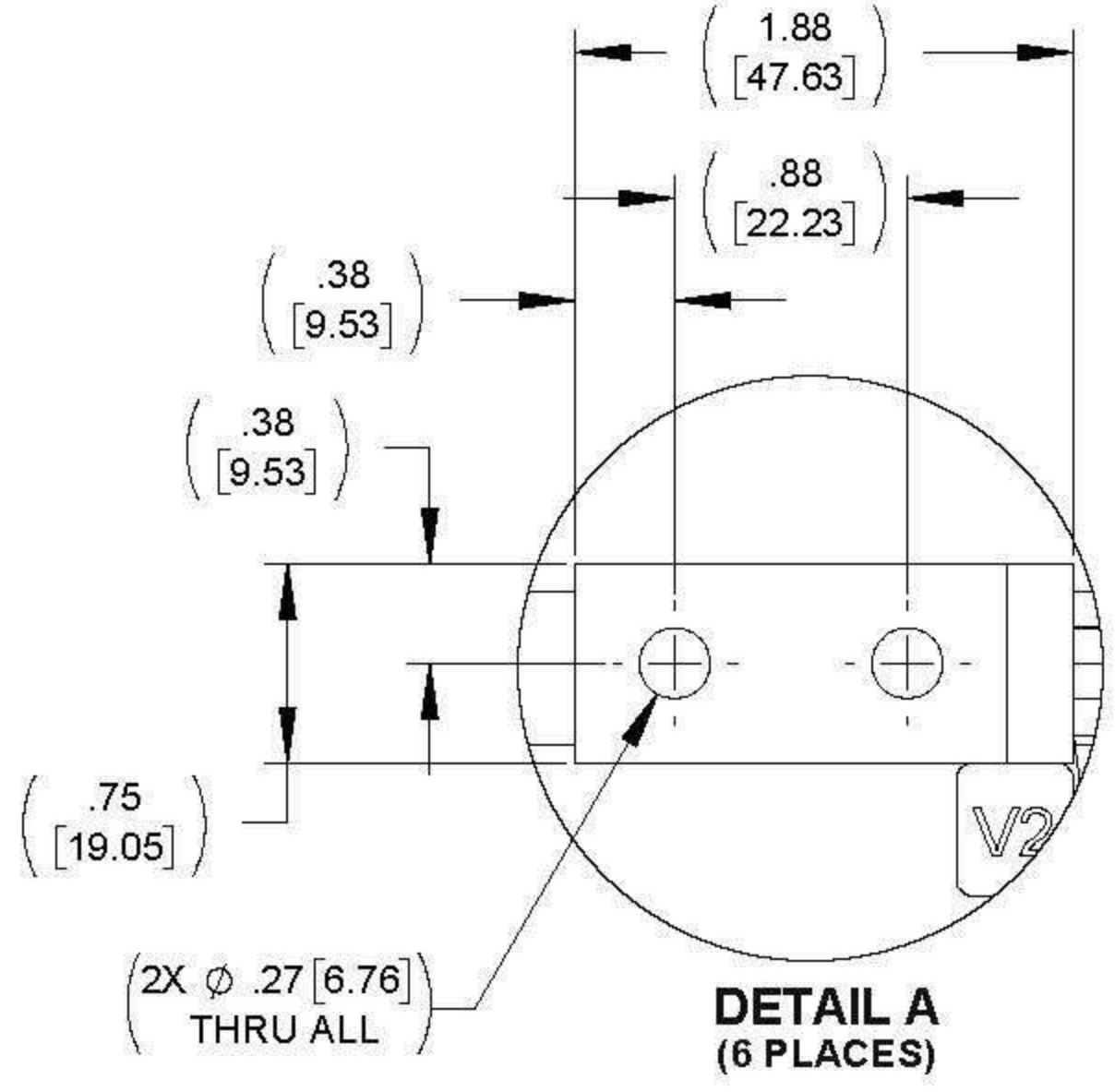
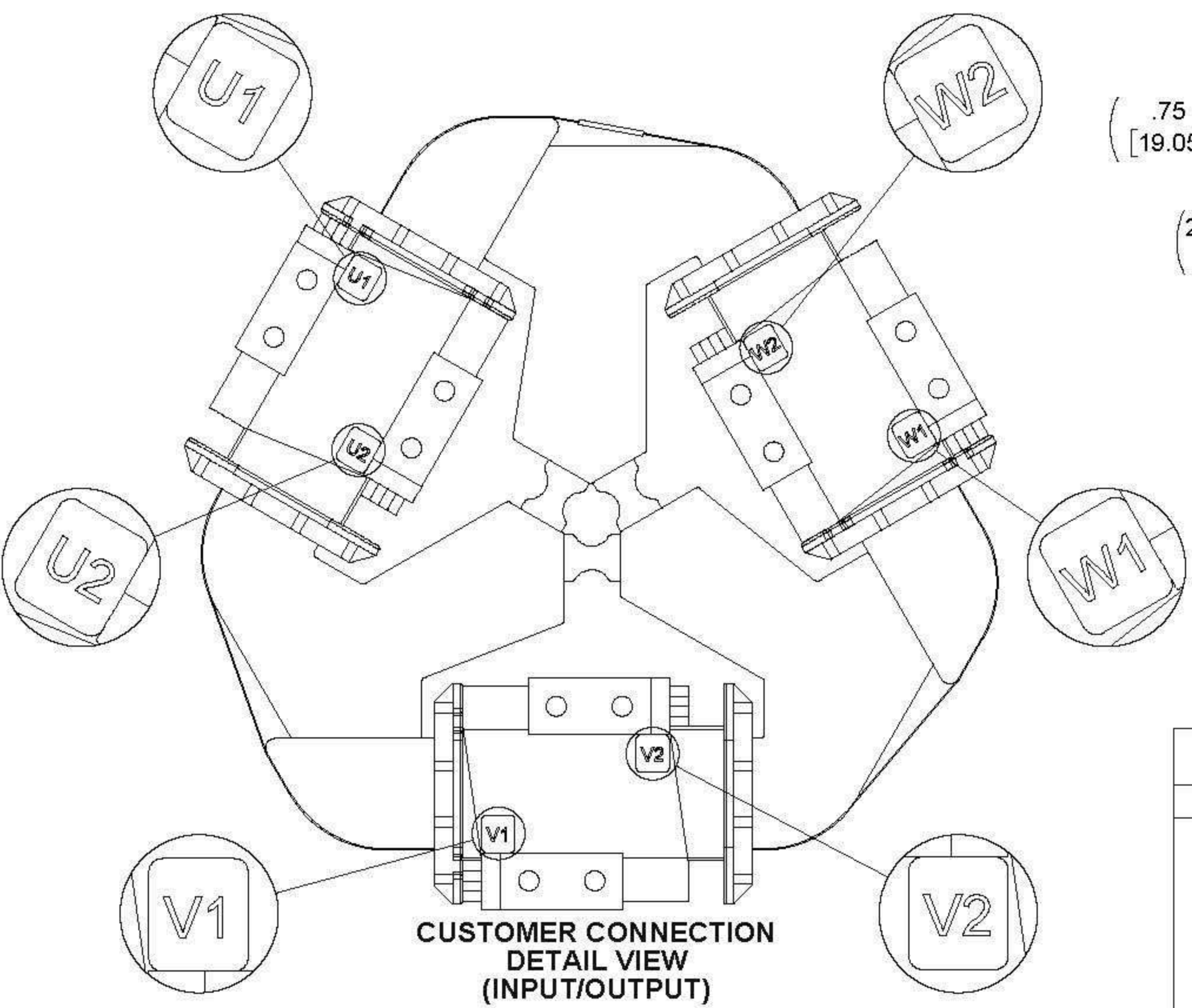
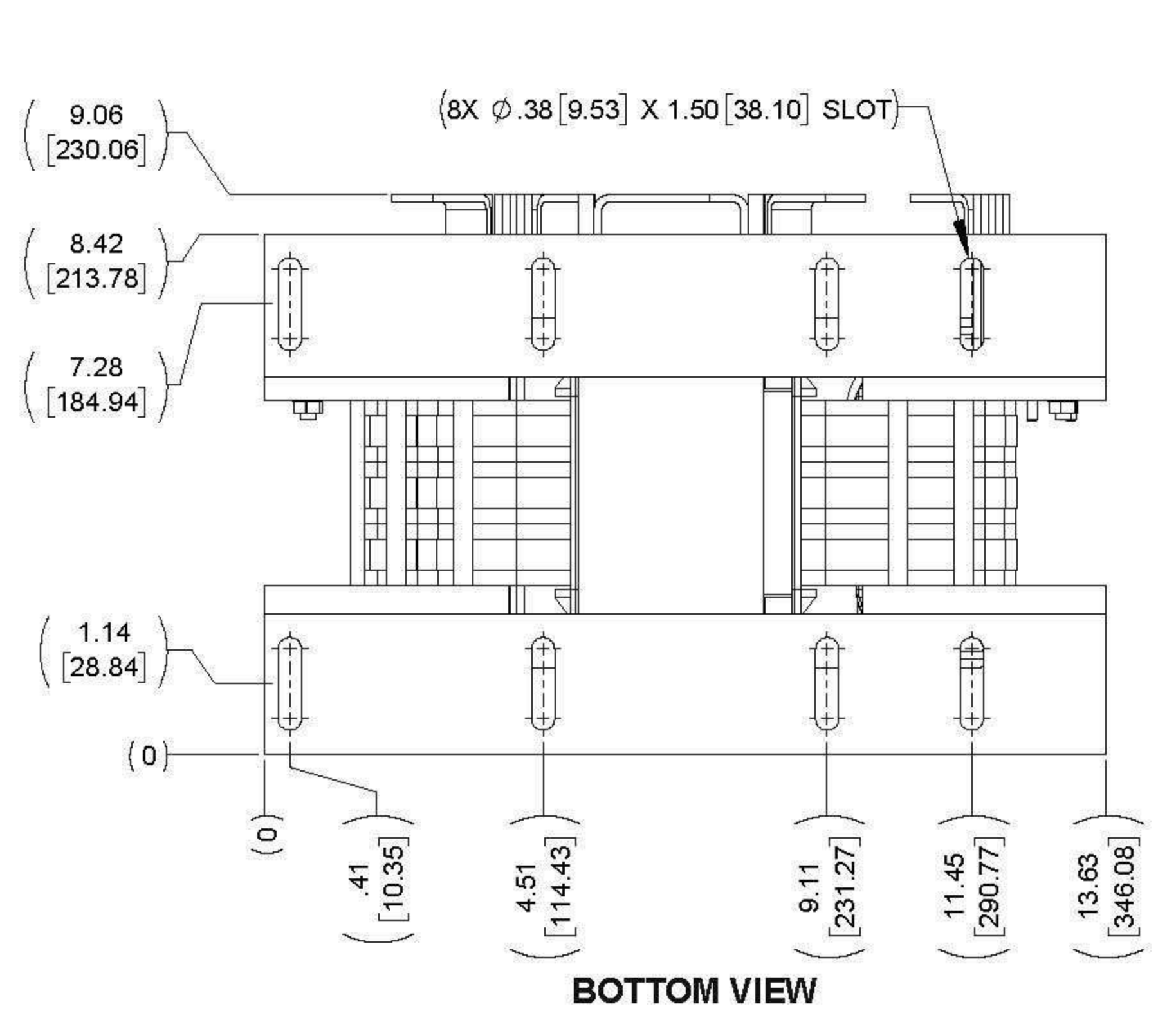
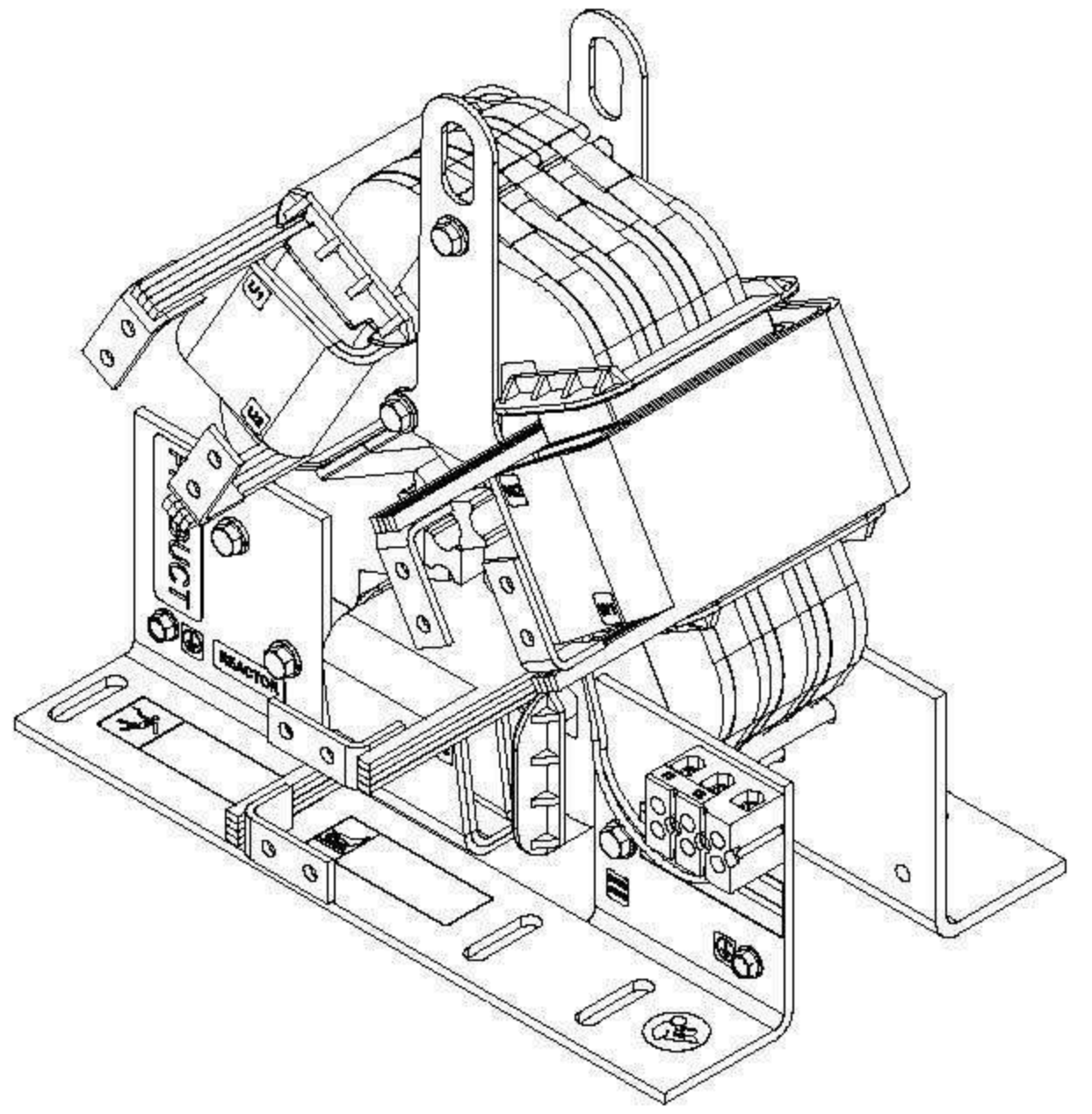
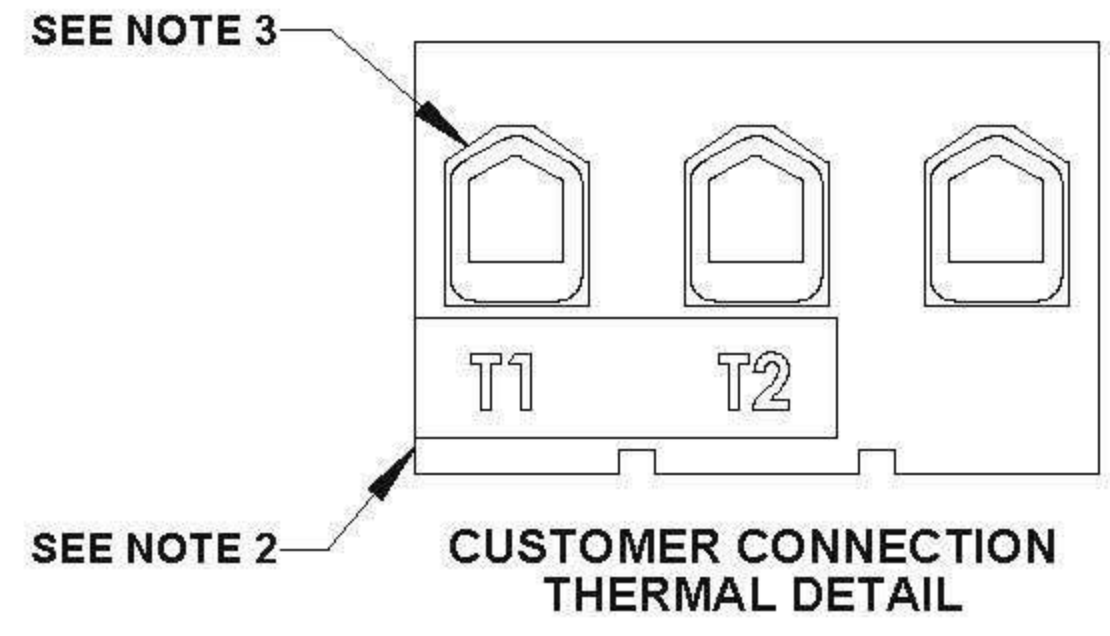
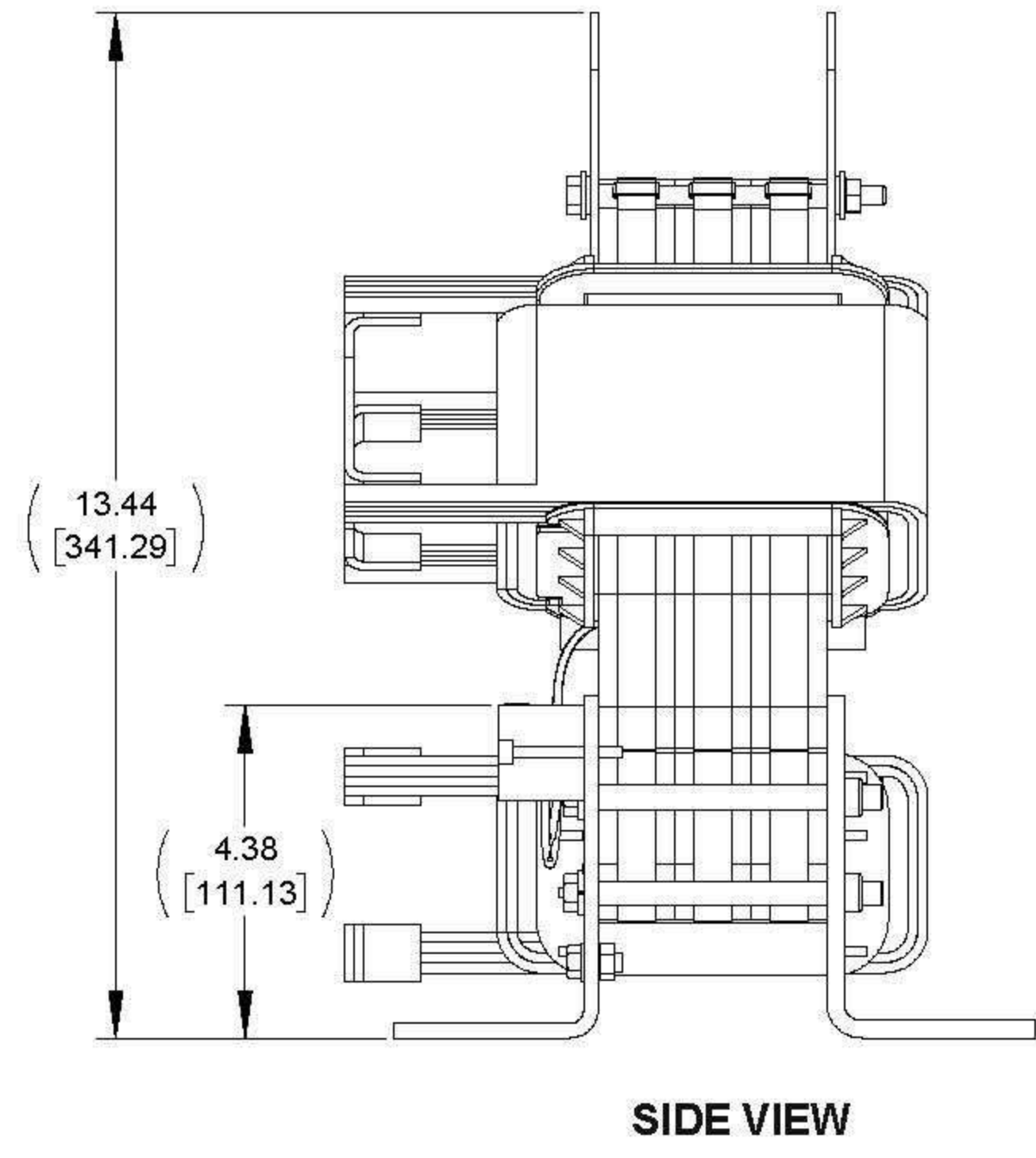
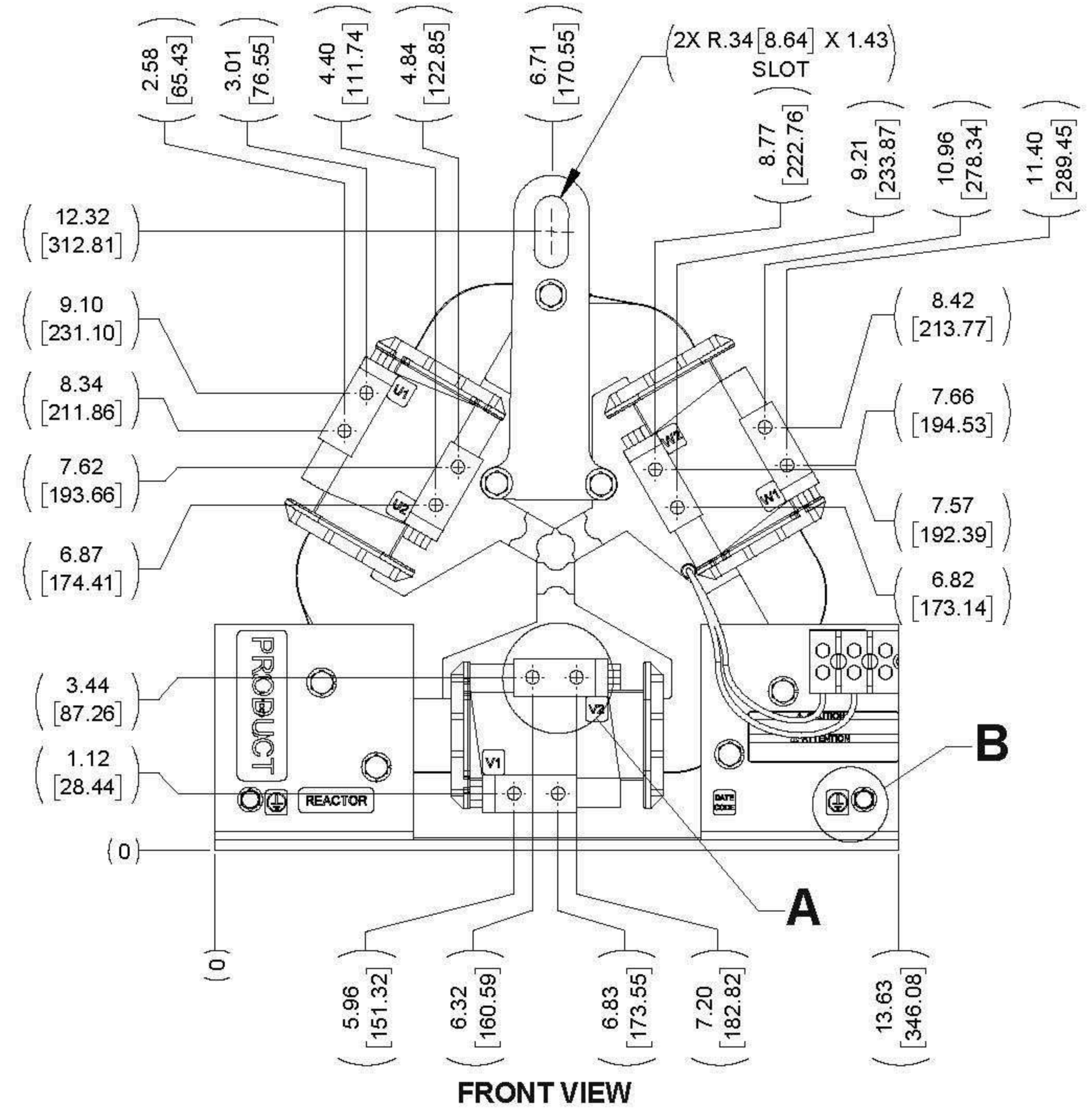


APPROX WEIGHT (LBS.)
72

| ECO No | DESCRIPTION | REV BY | DATE |
|--------|------------------------|--------|----------|
| M9346 | LABEL GRAPHICS UPDATED | JT | 10/21/14 |



NOTES:

1. FILTER REQUIRES MTE P/N: RESPANEL-012 (QTY. 1)
2. TERMINAL SCREW TIGHTENING TORQUE: 16 IN/LBS, MAX.
3. WIRE RANGE: 4-18 AWG

| | | | | | |
|--|--|---|--|--|--|
| <p>THE COMPONENT, PART OR ASSEMBLY DESCRIBED IN THIS DOCUMENT MUST COMPLY WITH THE EU (EUROPEAN UNION) DIRECTIVE RoHS2</p> <p>CONTAINS <0.1% OF ANY SVHC BY WEIGHT PER REACH REGULATION</p> | | <p>MATERIAL</p> | | <p>CONFIDENTIAL AND PROPRIETARY INFORMATION THIS DOCUMENT CONTAINS CONFIDENTIAL AND PROPRIETARY INFORMATION OF MTE CORPORATION AND MAY NOT BE USED, COPIED OR DISCLOSED TO OTHERS EXCEPT WITH THE AUTHORIZED WRITTEN PERMISSION OF MTE CORPORATION</p> | |
| <p>UNLESS OTHERWISE SPECIFIED DIMENSIONS ARE IN INCHES (MM) TOLERANCES ARE:</p> <p>ANGLES: ± 1°</p> <p>1 PLACE .X: ± .1 [2.5]</p> <p>2 PLACE .XX: ± .03 [0.76]</p> <p>3 PLACE .XXX: ± .010 [0.254]</p> | | <p>MTE AN BL POWER ELECTRONICS COMPANY</p> <p>N83 W13330 Leon Road Menomonee Falls, WI 53051 USA 800.455.4693 262.253.8200</p> | | <p>DESCRIPTION</p> <p>DV SENTRY 160A 380-600V FILTER, OPEN PANEL</p> | |
| <p>DRAWN MM 07/23/14</p> <p>CHECKED TM 10/22/14</p> <p>APPROVED TM 10/22/14</p> | | <p>DATE 07/23/14</p> <p>DATE 10/22/14</p> <p>DATE 10/22/14</p> | | <p>SIZE D DWG No. CD DVSP0160E</p> <p>REV 02</p> | |
| <p>SCALE 1:2</p> | | <p>SHEET 1 OF 1</p> | | | |