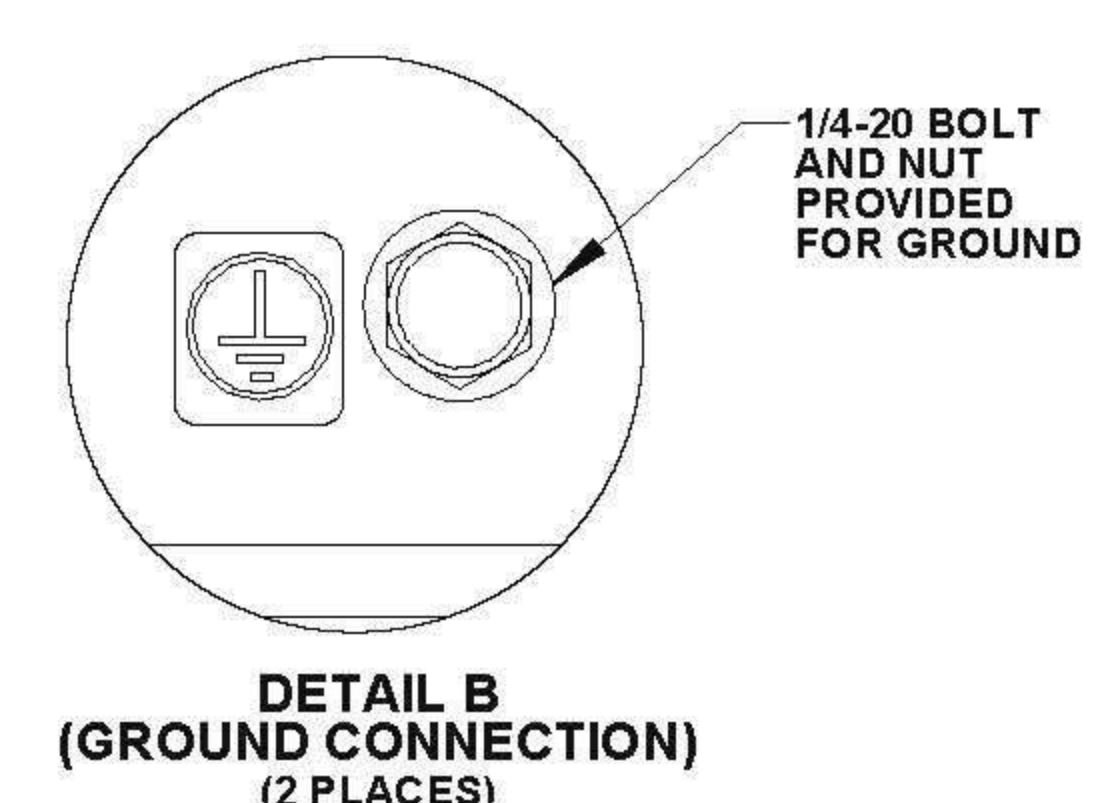
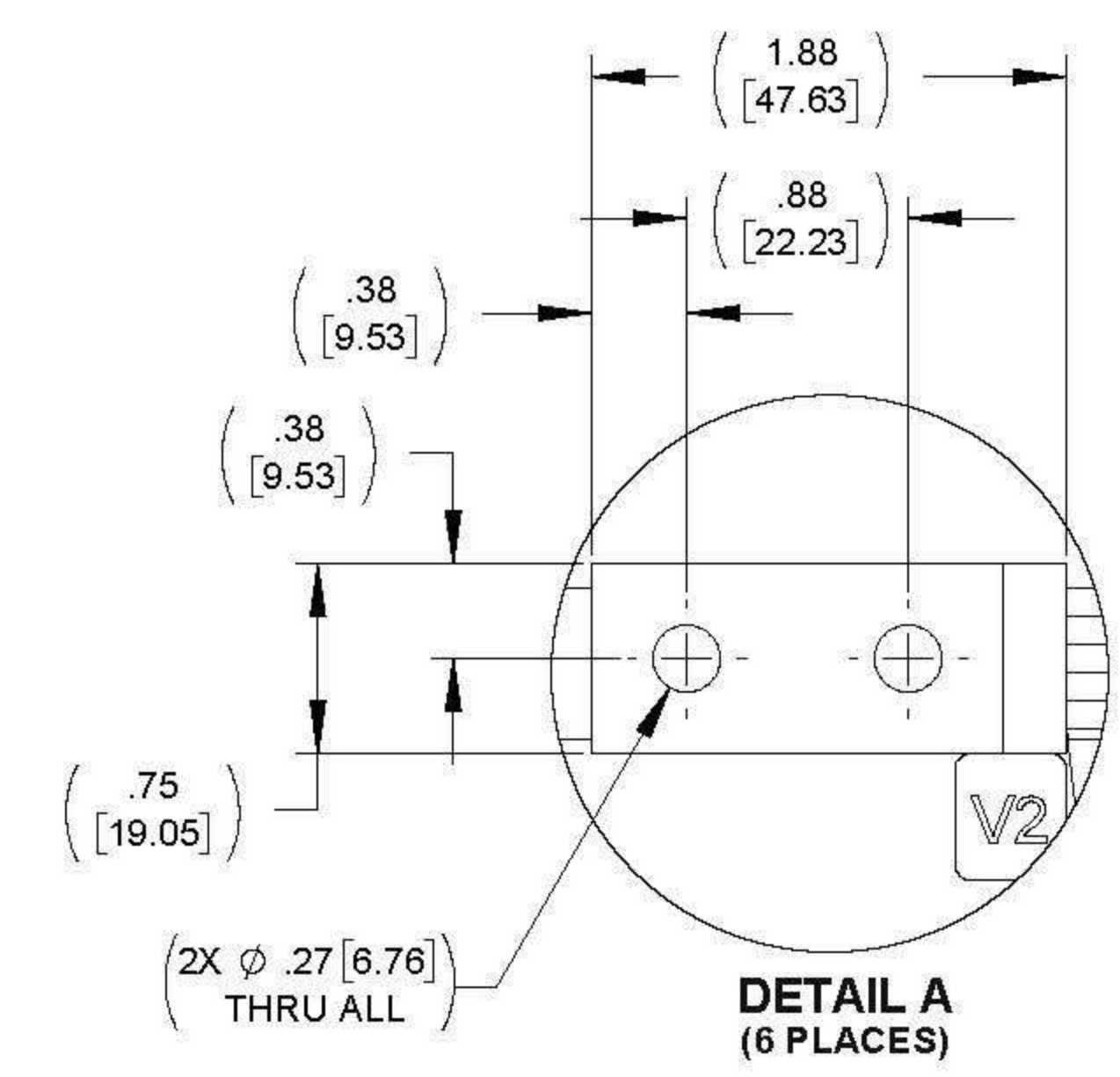
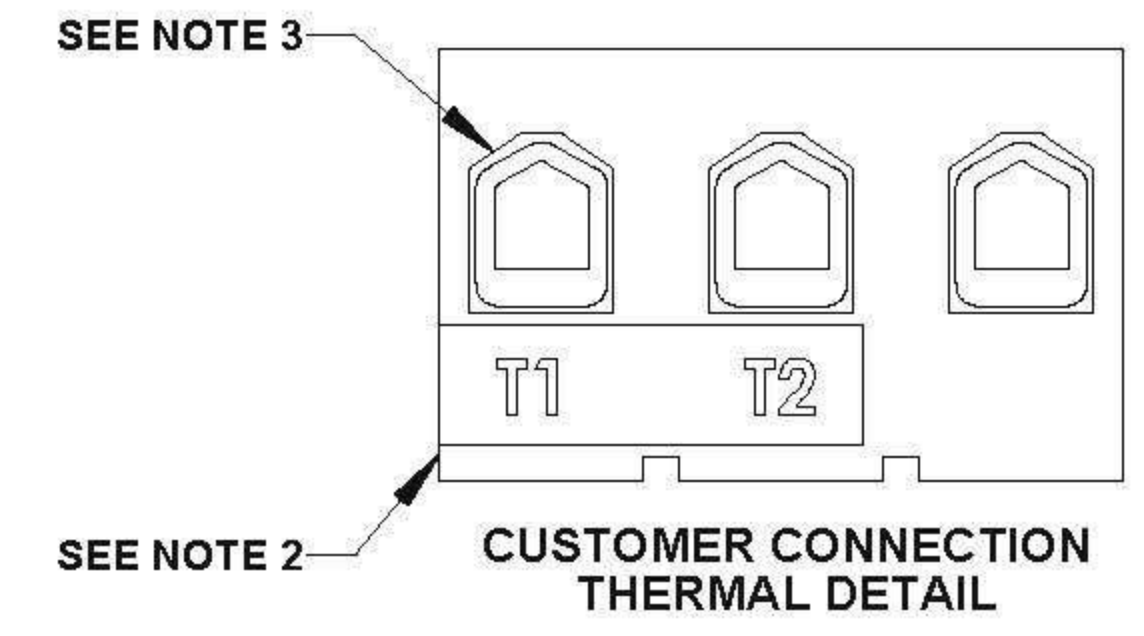
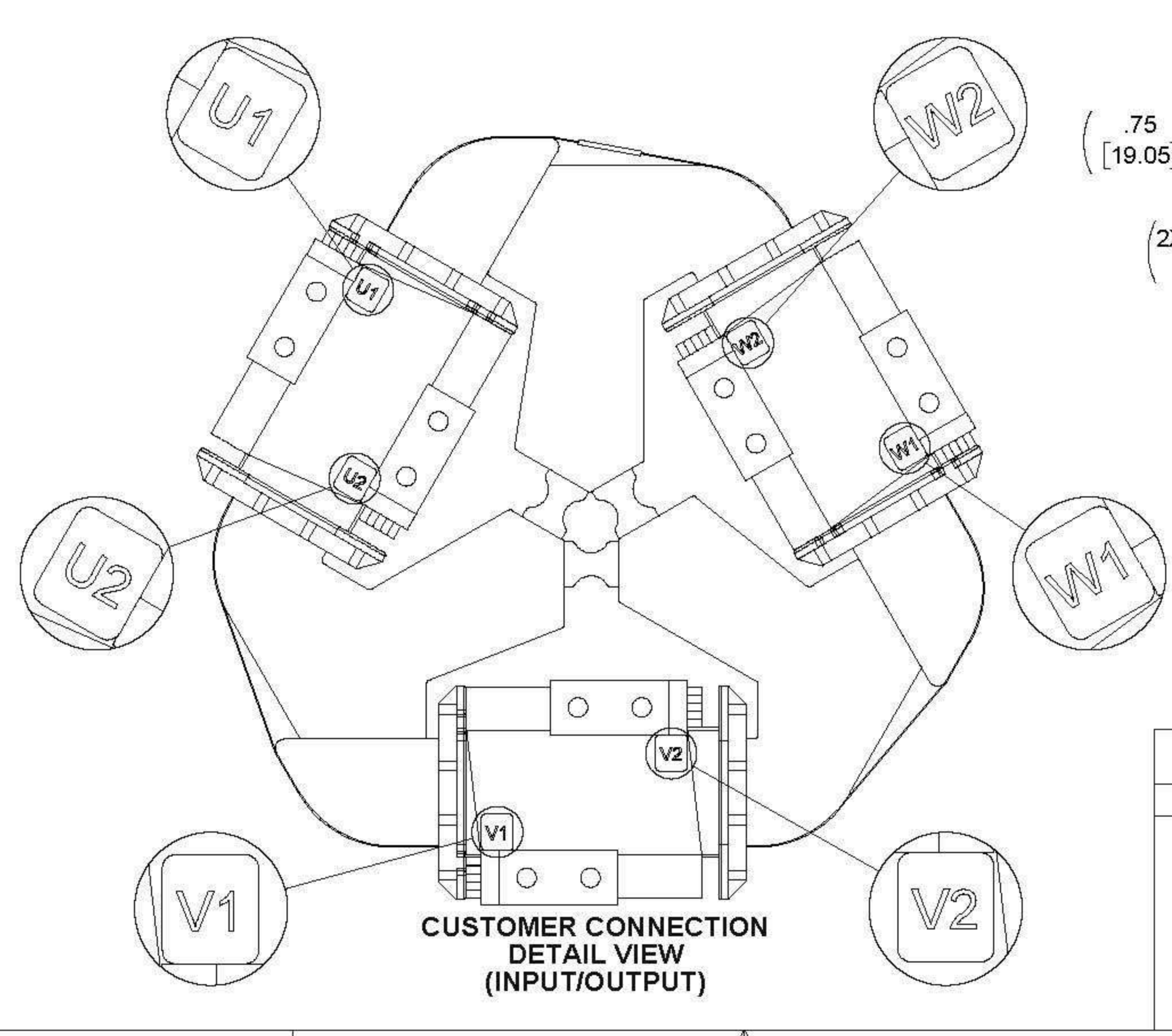
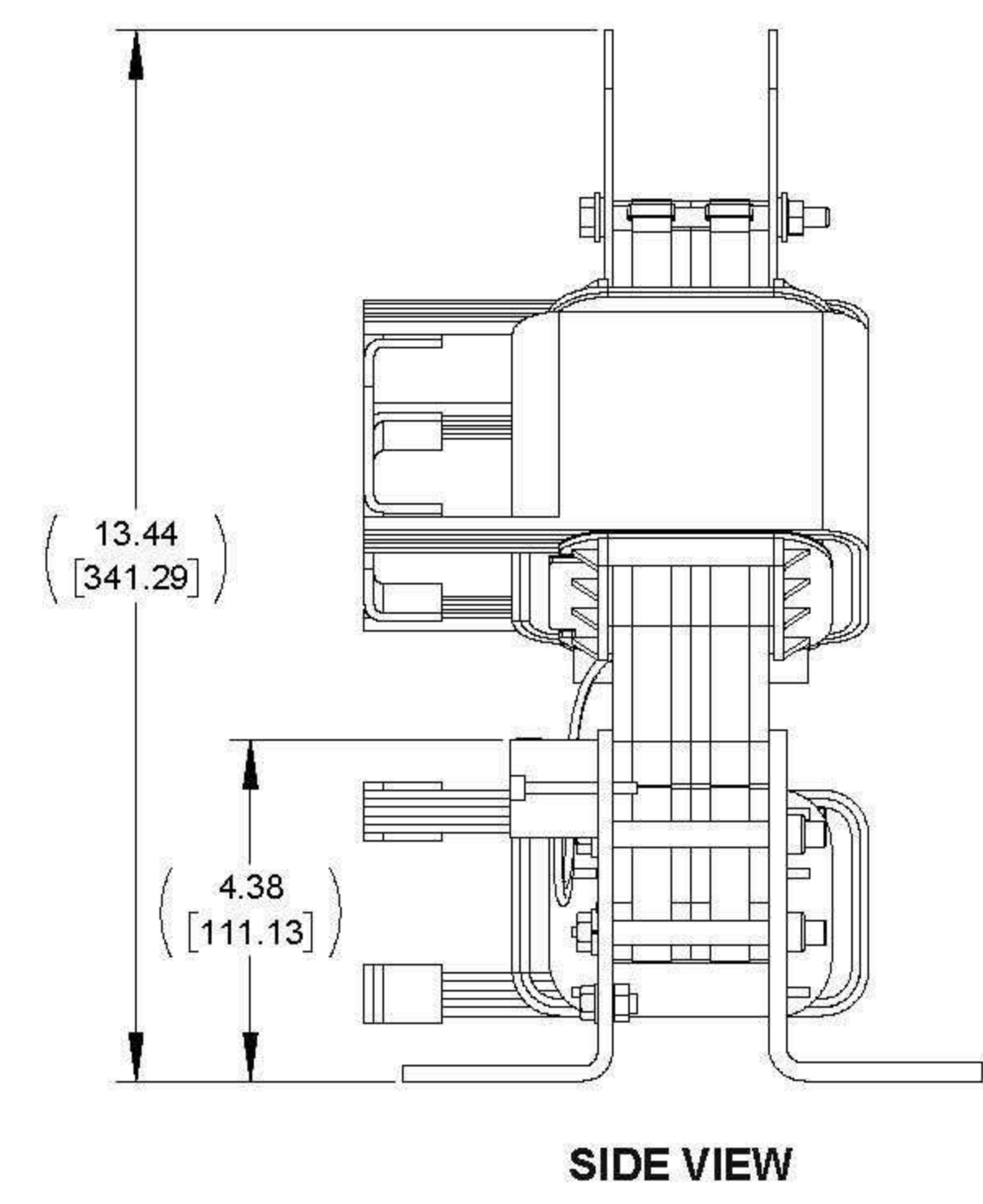
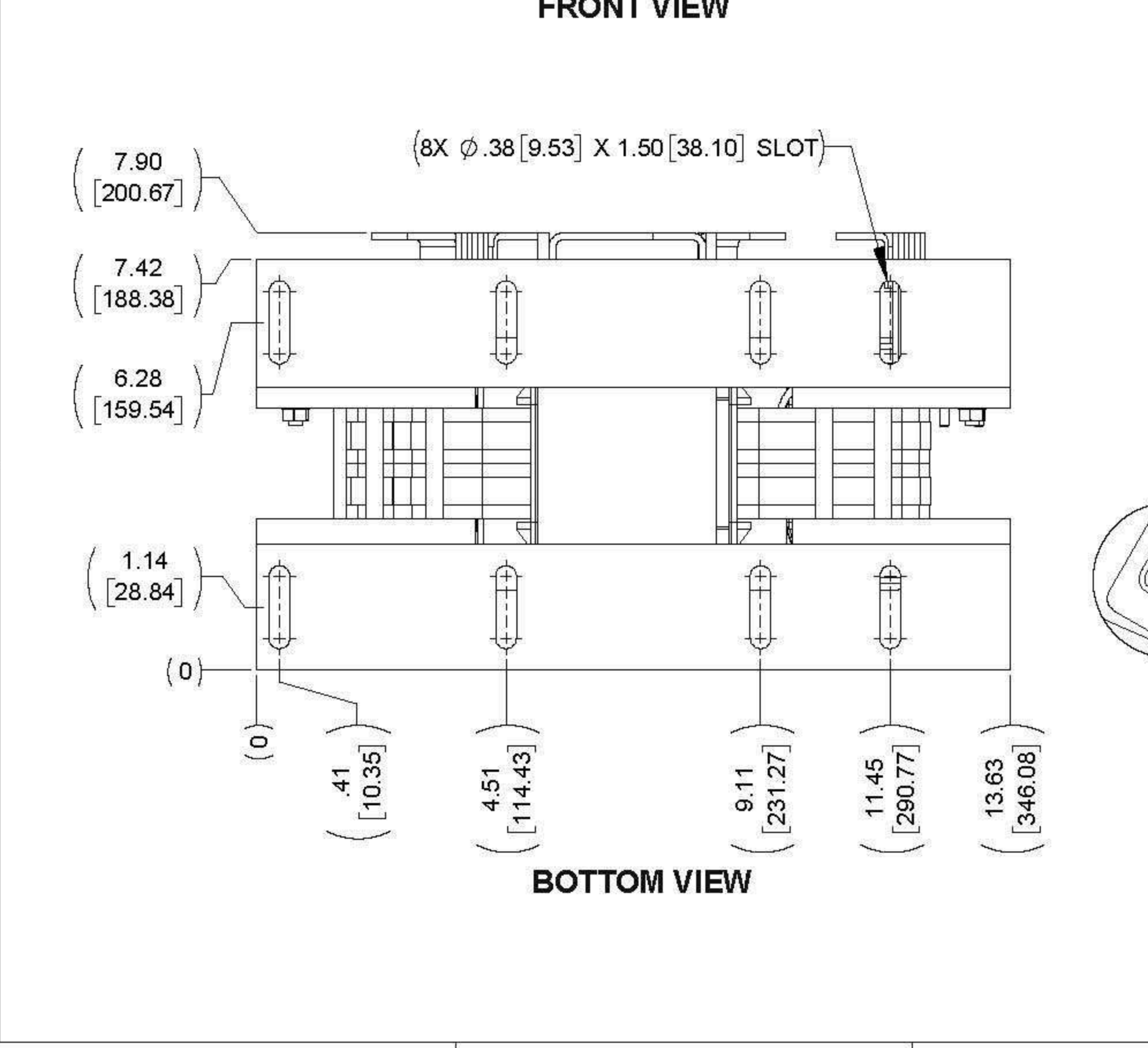
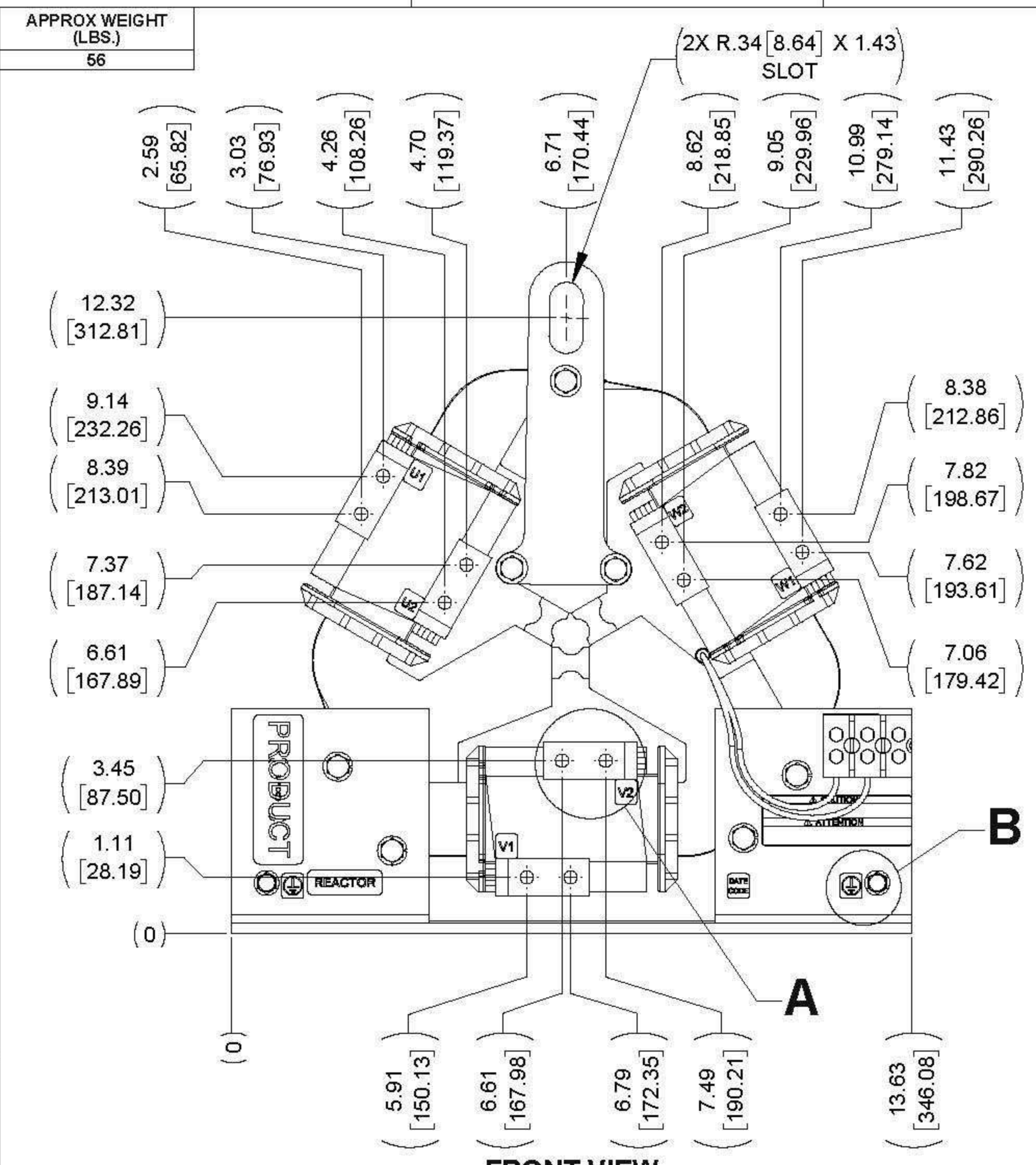


ECO No	DESCRIPTION	REVBY	DATE
M9346	LABEL GRAPHICS UPDATED	JT	10/21/14



- NOTES:**
1. FILTER REQUIRES MTE P/N: RESPANEL-012 (QTY. 1)
 2. TERMINAL SCREW TIGHTENING TORQUE: 16 IN/LBS, MAX.
 3. WIRE RANGE: 4-18 AWG

THE COMPONENT, PART OR ASSEMBLY DESCRIBED IN THIS DOCUMENT MUST COMPLY WITH THE EU (EUROPEAN UNION) DIRECTIVE RoHS2		MATERIAL		CONFIDENTIAL AND PROPRIETARY INFORMATION THIS DOCUMENT CONTAINS CONFIDENTIAL AND PROPRIETARY INFORMATION OF MTE CORPORATION AND MAY NOT BE USED, COPIED OR DISCLOSED TO OTHERS EXCEPT WITH THE AUTHORIZED WRITTEN PERMISSION OF MTE CORPORATION	
CONTAINS <0.1% OF ANY SVHC BY WEIGHT PER REACH REGULATION				DESCRIPTION	
UNLESS OTHERWISE SPECIFIED DIMENSIONS ARE IN INCHES (MM) TOLERANCES ARE:				DV SENTRY 130A 380-600V FILTER, OPEN PANEL	
ANGLES: ± 1°		DRAWN		SIZE	
1 PLACE .X: ± .1 [2.5]		MM		D	
2 PLACE .XX: ± .03 [0.76]		DATE		DWG No.	
3 PLACE .XXX: ± .010 [0.254]		07/23/14		CD DVSP0130E	
		CHECKED		REV	
		TM		01	
		DATE		SCALE	
		10/22/14		1:2	
		APPROVED		SHEET 1 OF 1	
		TM			
		10/22/14			

