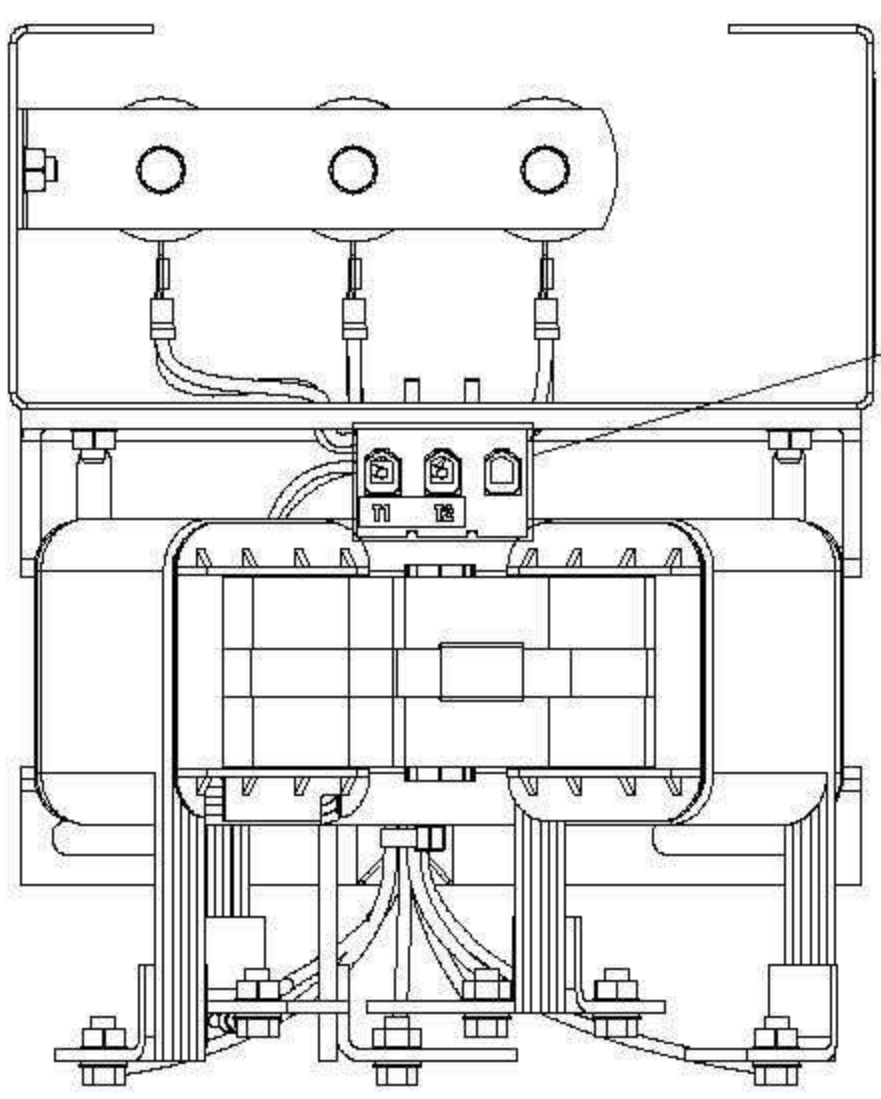
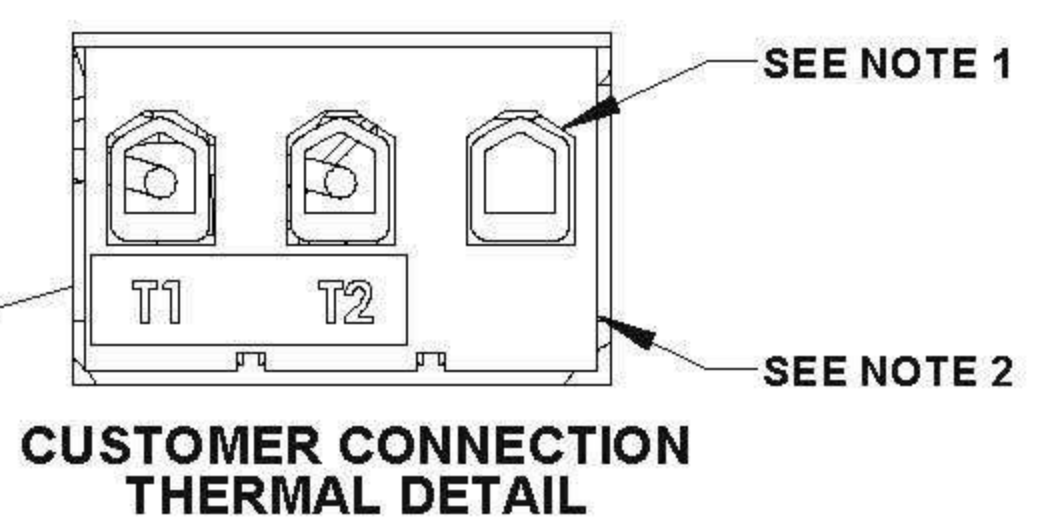


APPROX WEIGHT (LBS)
36

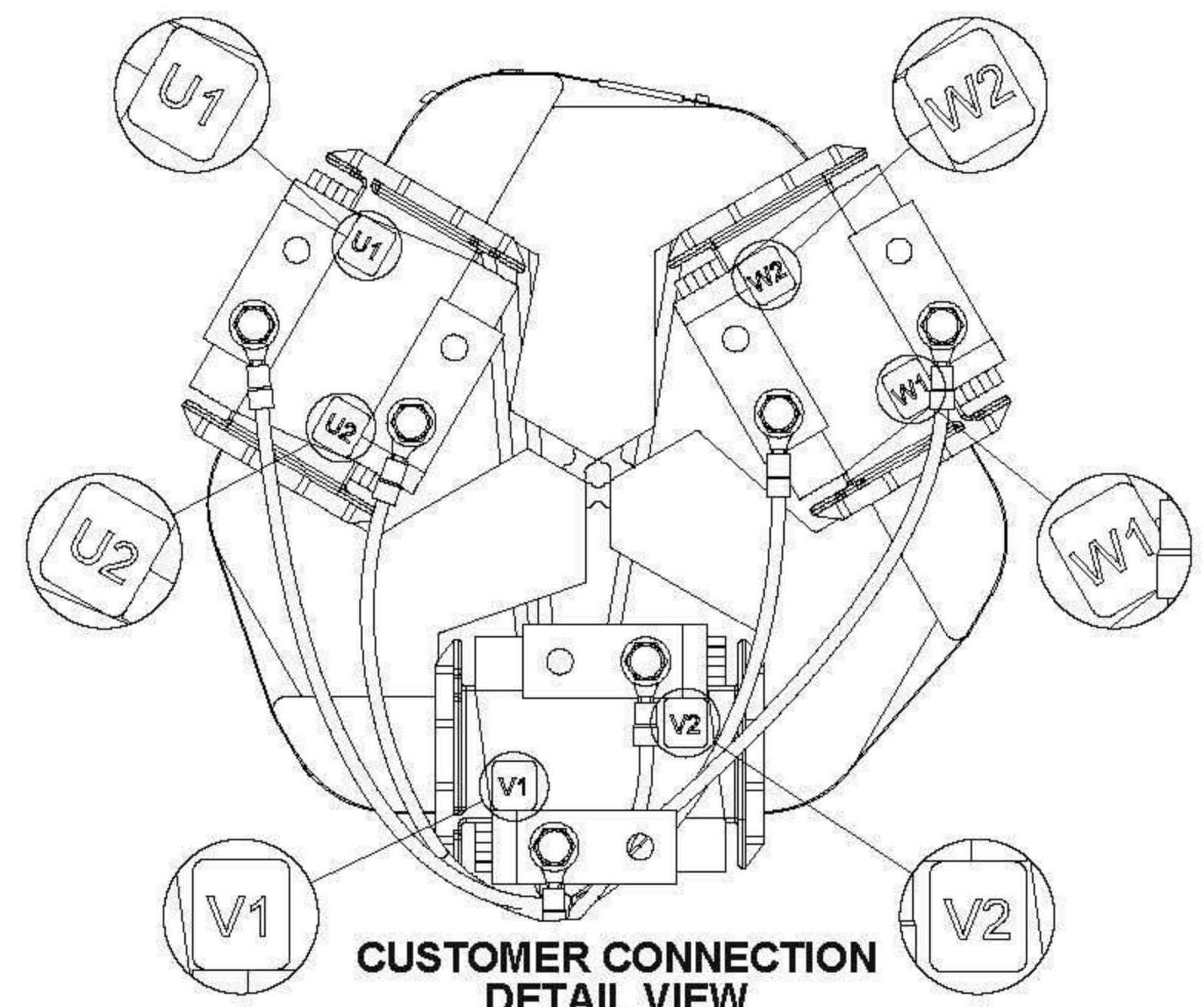
ECO No	DESCRIPTION	REVBY	DATE
M945	LABEL GRAPHICS UPDATED	JT	10/21/14



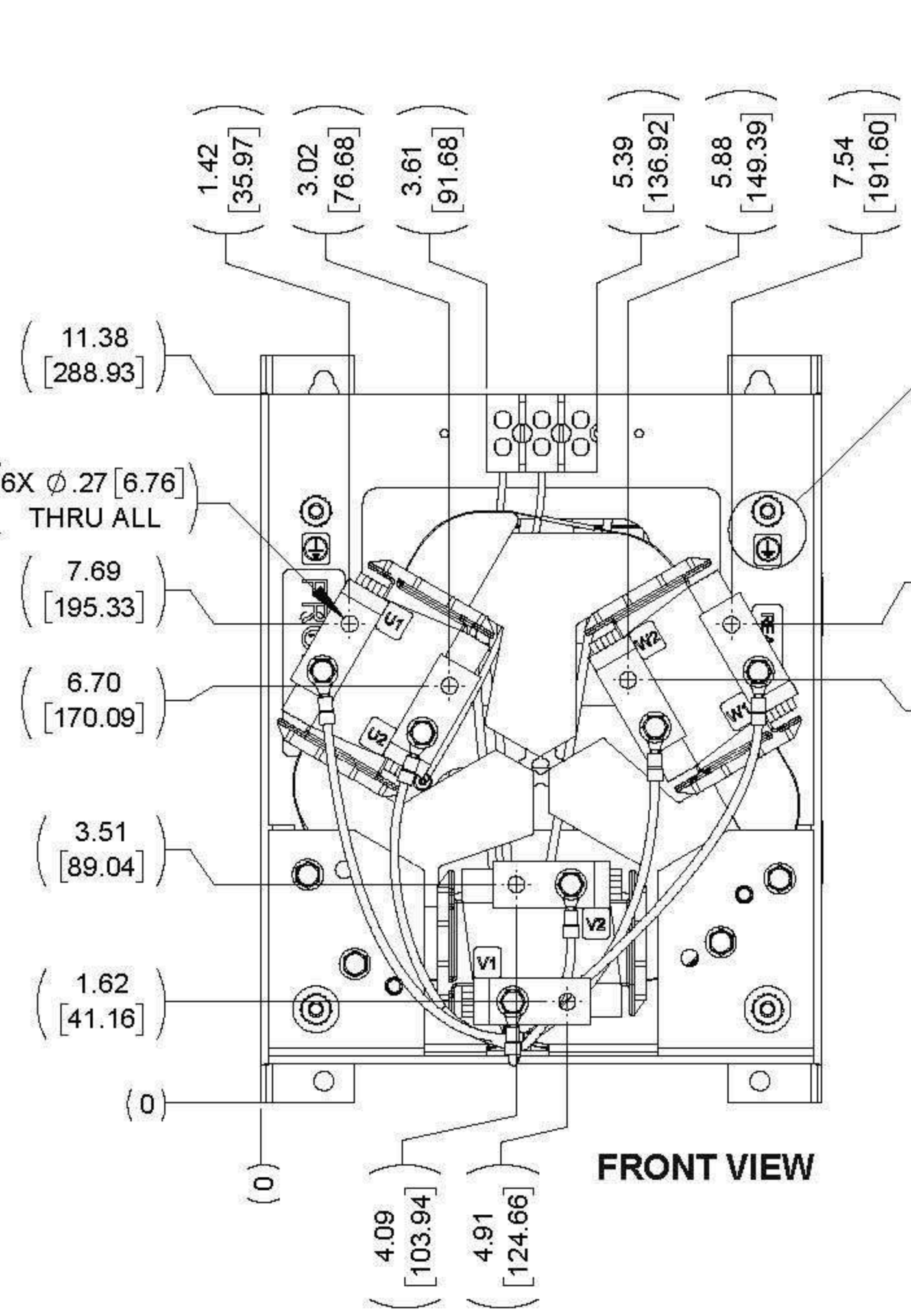
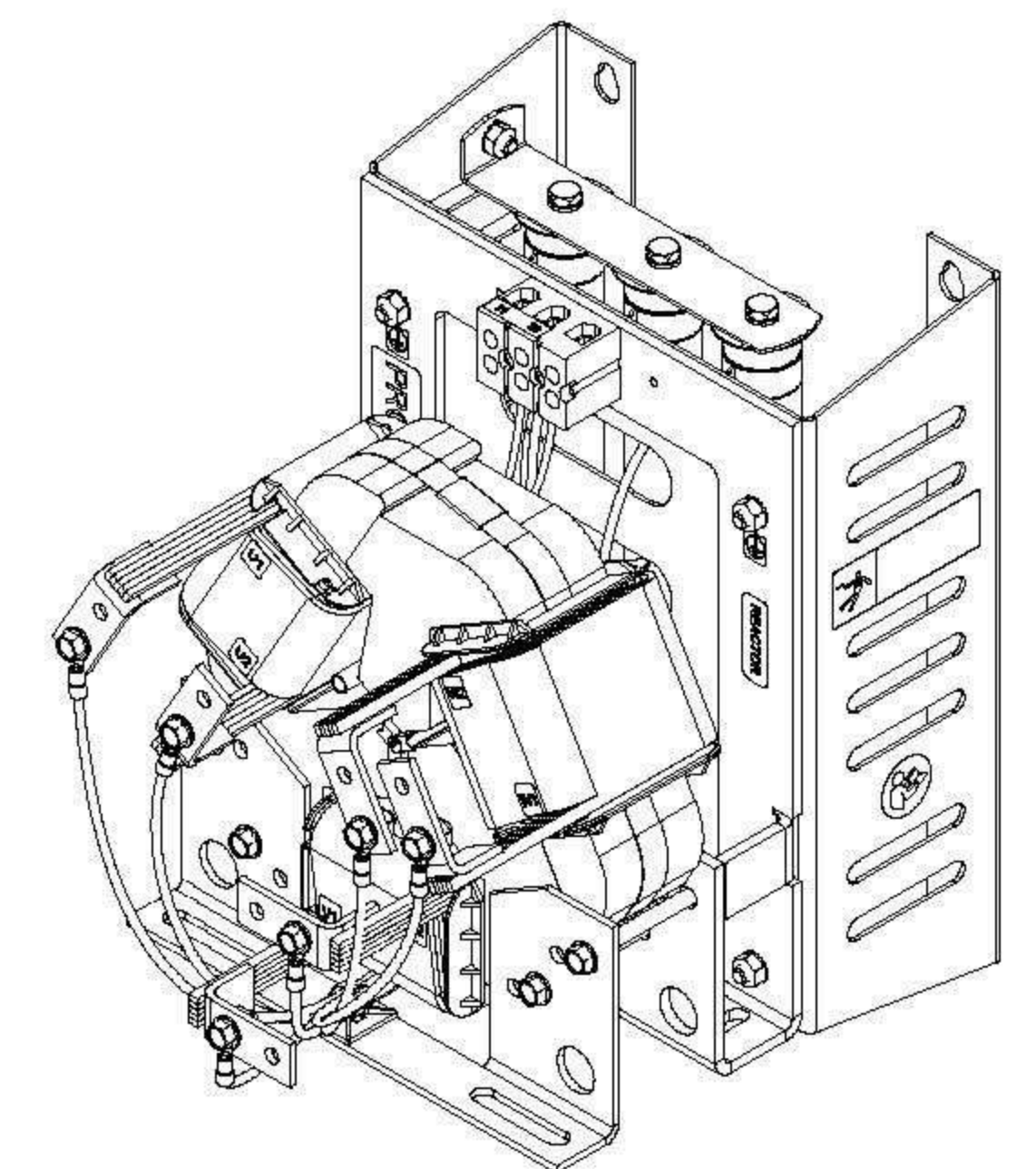
TOP VIEW



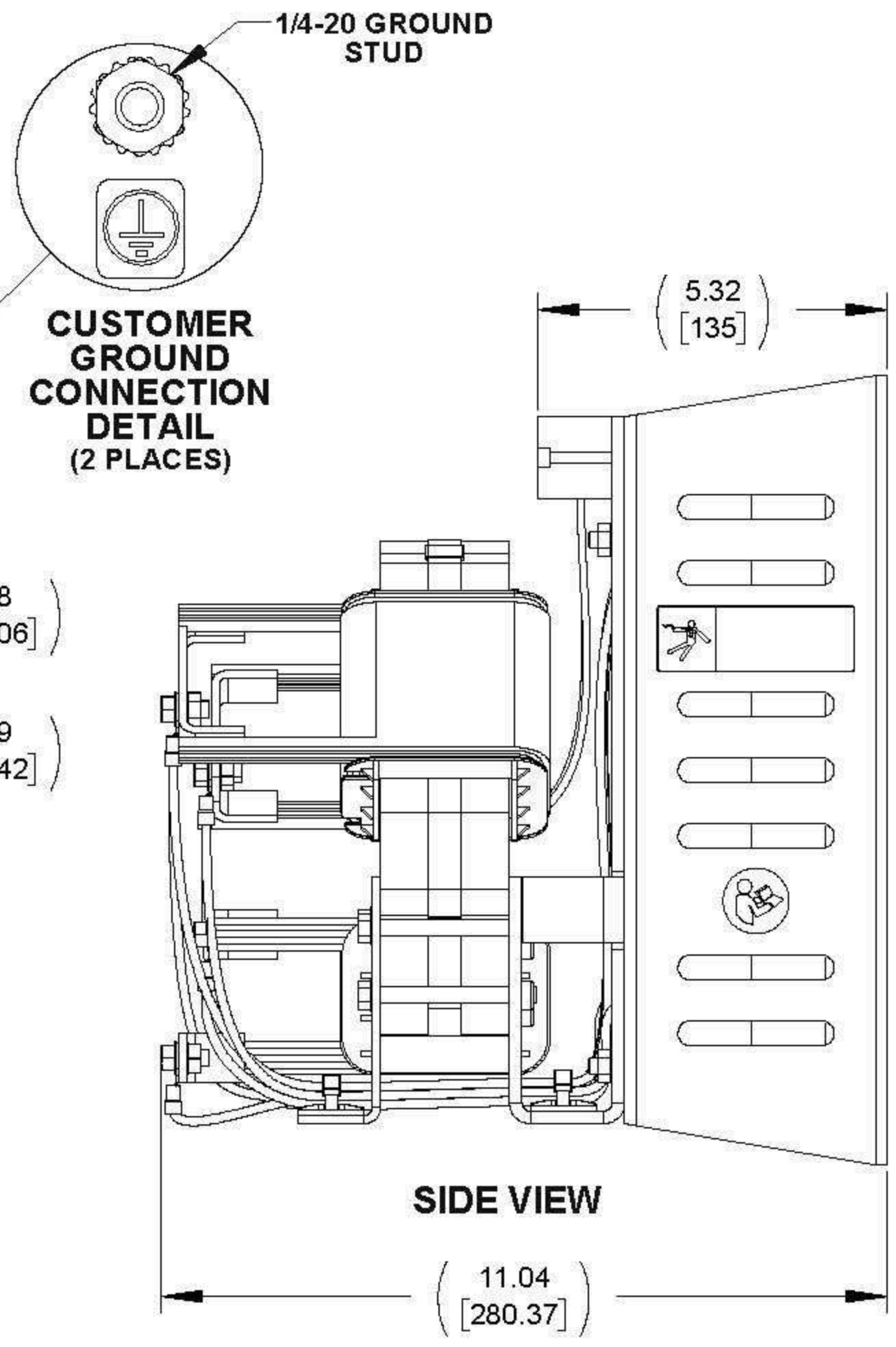
CUSTOMER CONNECTION THERMAL DETAIL



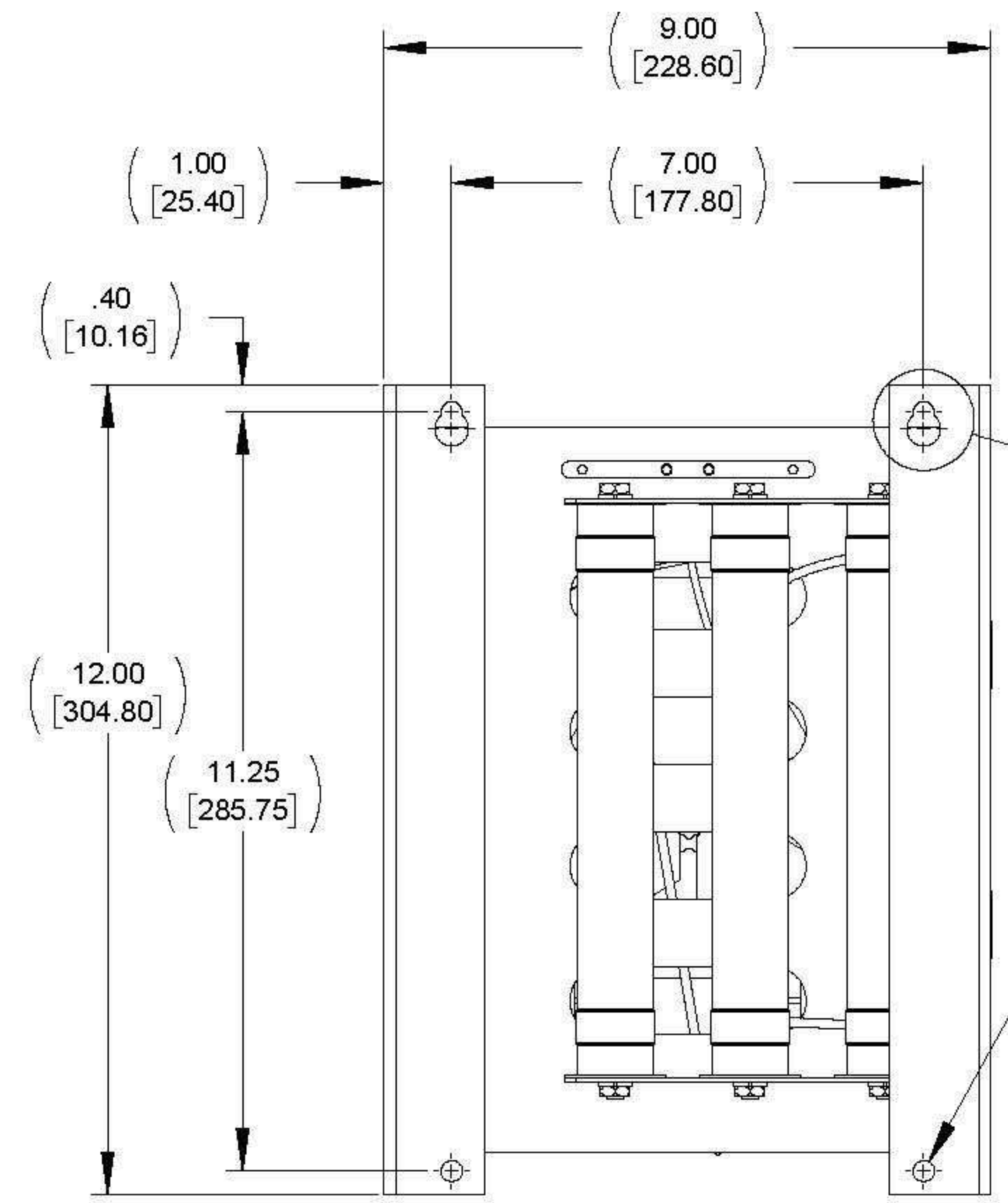
CUSTOMER CONNECTION DETAIL VIEW



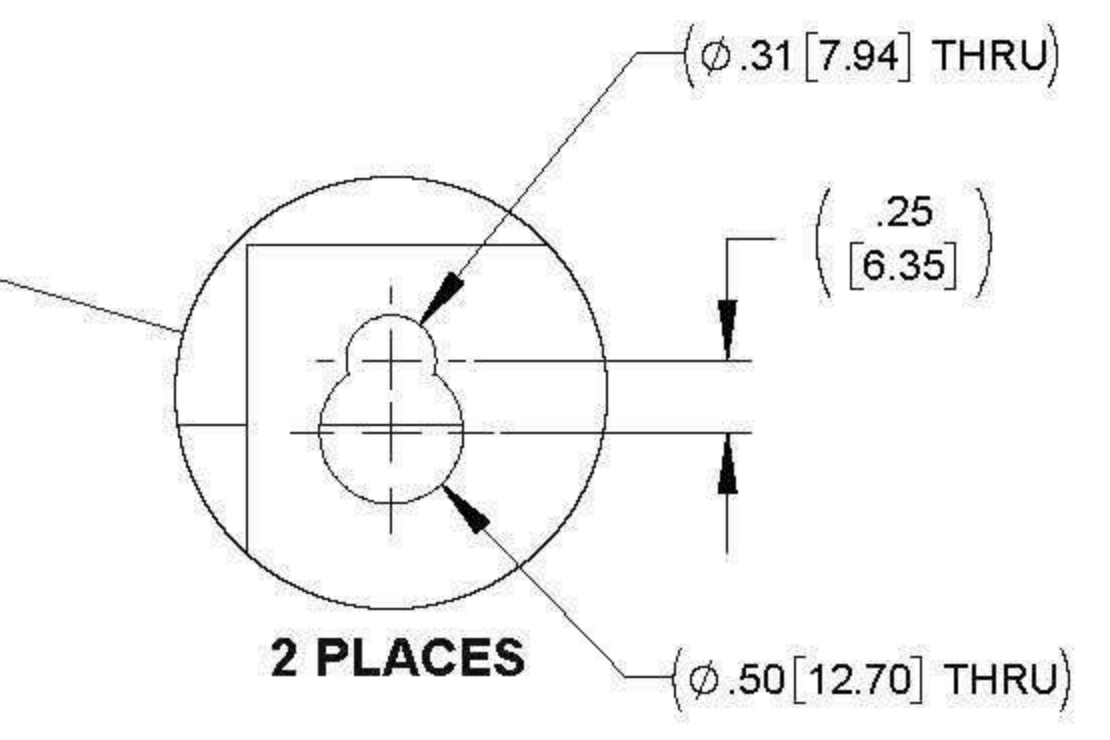
FRONT VIEW



SIDE VIEW



REAR VIEW



NOTES:

1. WIRE RANGE: 4 - 18 AWG
2. TERMINAL SCREW TIGHTENING TORQUE: 16 IN/LBS

<p>THE COMPONENT, PART OR ASSEMBLY DESCRIBED IN THIS DOCUMENT MUST COMPLY WITH THE EU (EUROPEAN UNION) DIRECTIVE RoHS2</p> <p>CONTAINS <0.1% OF ANY SVHC BY WEIGHT PER REACH REGULATION</p>		<p>MATERIAL</p>		<p>CONFIDENTIAL AND PROPRIETARY INFORMATION THIS DOCUMENT CONTAINS CONFIDENTIAL AND PROPRIETARY INFORMATION OF MTE CORPORATION AND MAY NOT BE USED, COPIED OR DISCLOSED TO OTHERS EXCEPT WITH THE AUTHORIZED WRITTEN PERMISSION OF MTE CORPORATION</p>	
<p>UNLESS OTHERWISE SPECIFIED DIMENSIONS ARE IN INCHES (MM) TOLERANCES ARE:</p> <p>ANGLES: ± 1°</p> <p>1 PLACE .X: ± .1 [2.5]</p> <p>2 PLACE .XX: ± .03 [0.76]</p> <p>3 PLACE .XXX: ± .010 [0.254]</p>		<p>N83 W1 3330 Leon Road Menomonee Falls, WI 53051 USA 800.455.4693 262.253.8200</p>		<p>DESCRIPTION</p> <p>DV SENTRY 110A 380-600V FILTER, OPEN PANEL</p>	
<p>DRAWN JT</p> <p>CHECKED TM</p> <p>APPROVED TM</p>		<p>DATE 06/10/14</p> <p>DATE 10/22/14</p> <p>DATE 10/22/14</p>		<p>SIZE D</p> <p>DWG No. CD DVSP0110E</p> <p>REV 01</p>	
<p>SCALE 1:2</p>		<p>SHEET 1 OF 1</p>			