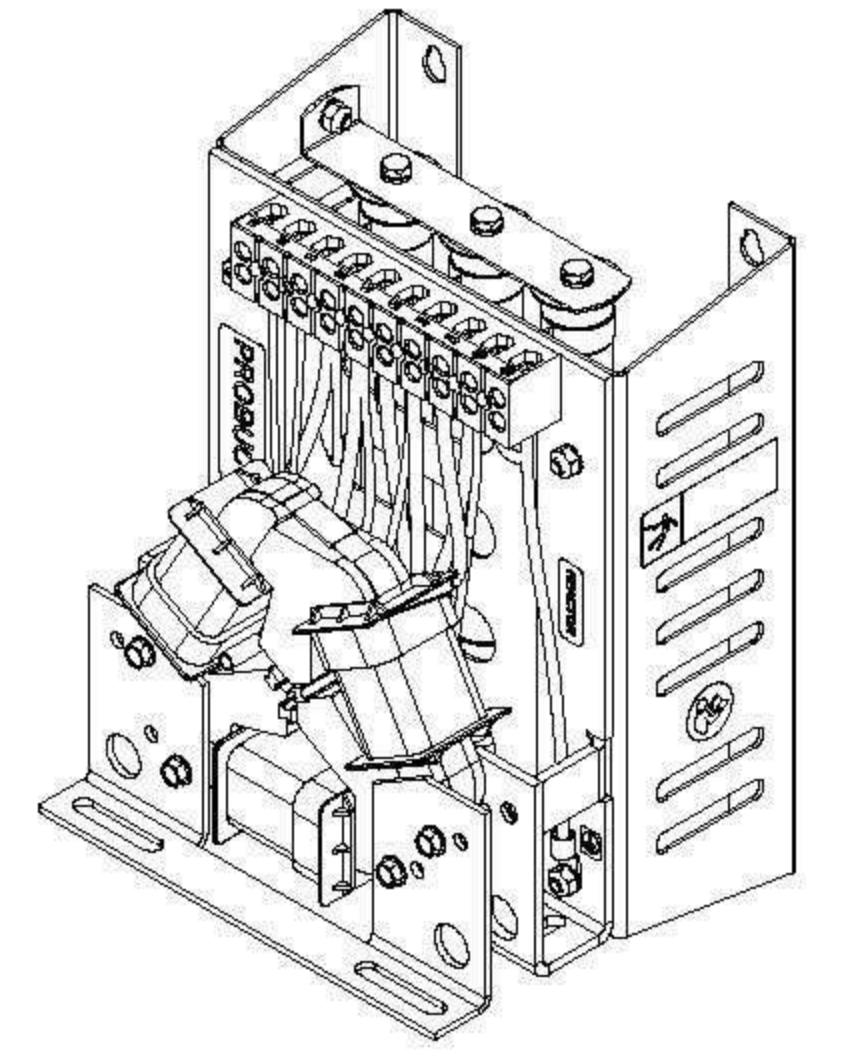
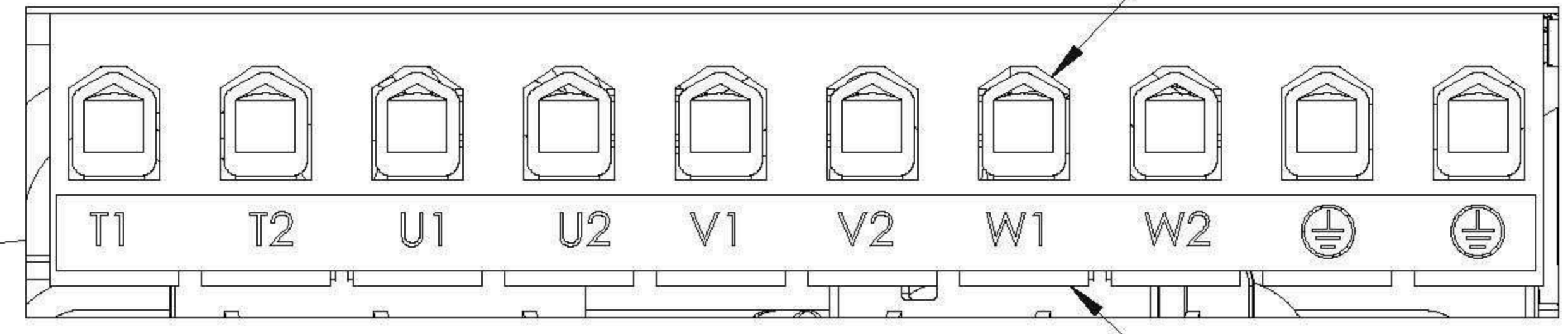
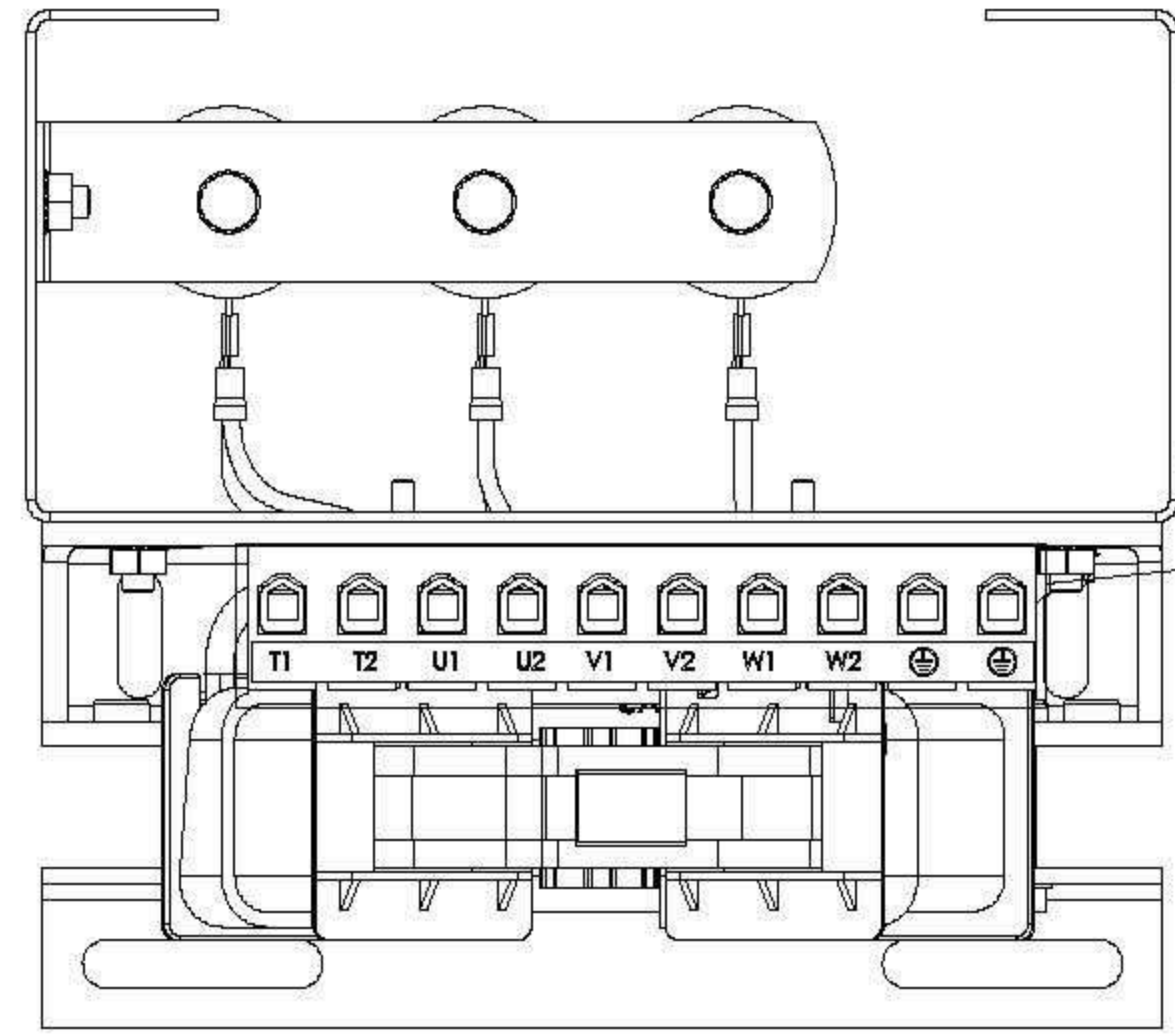


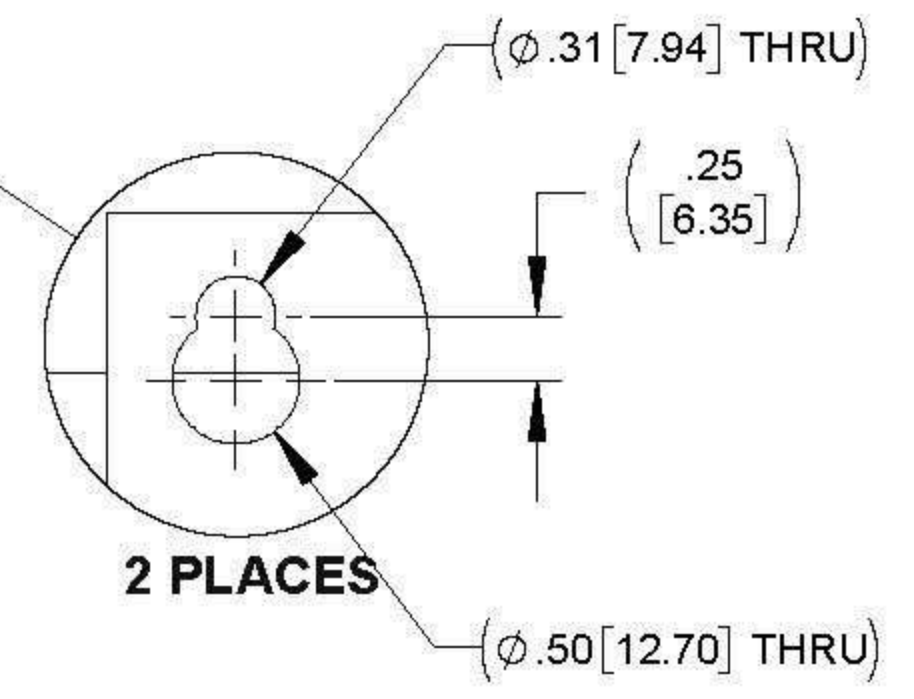
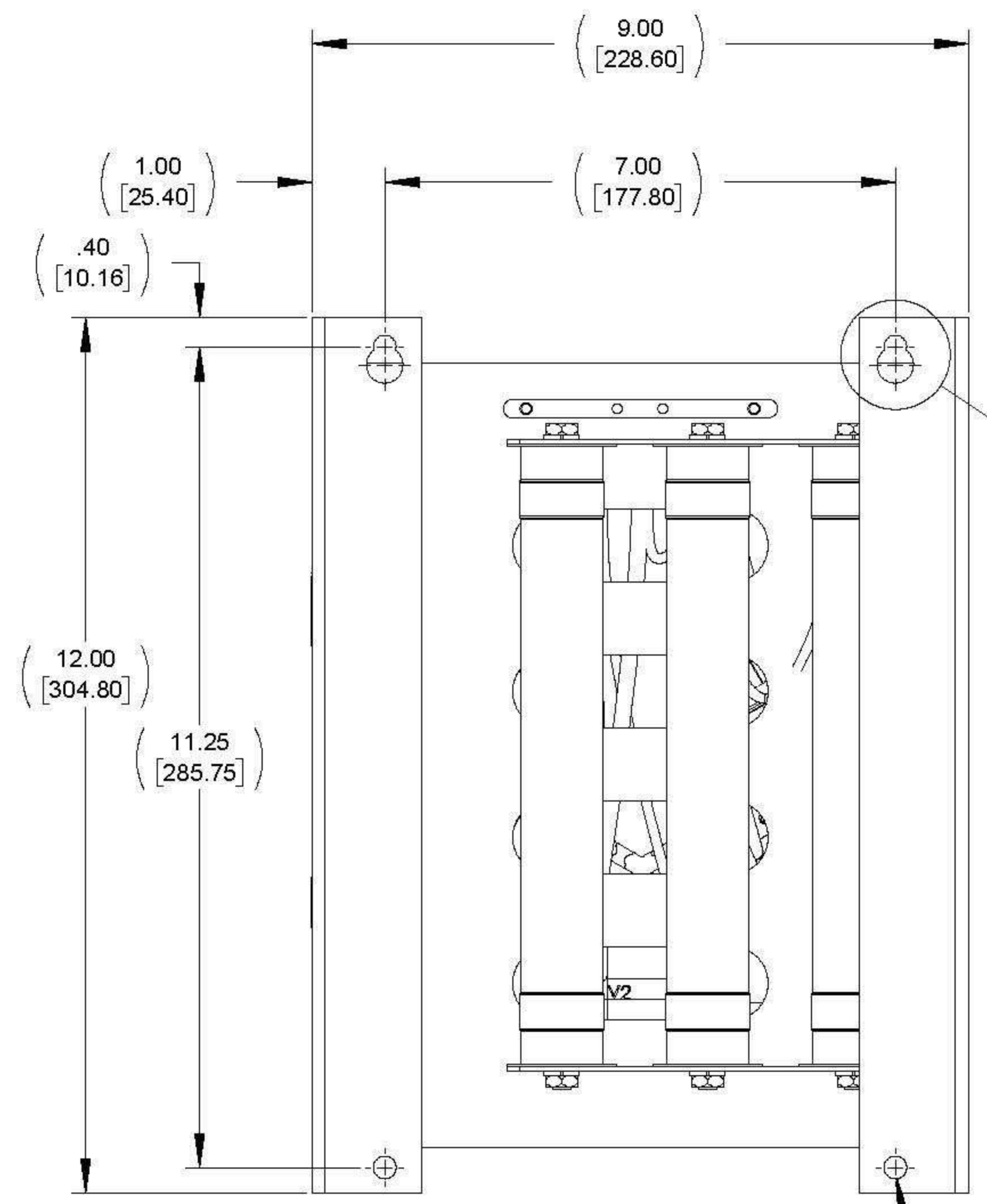
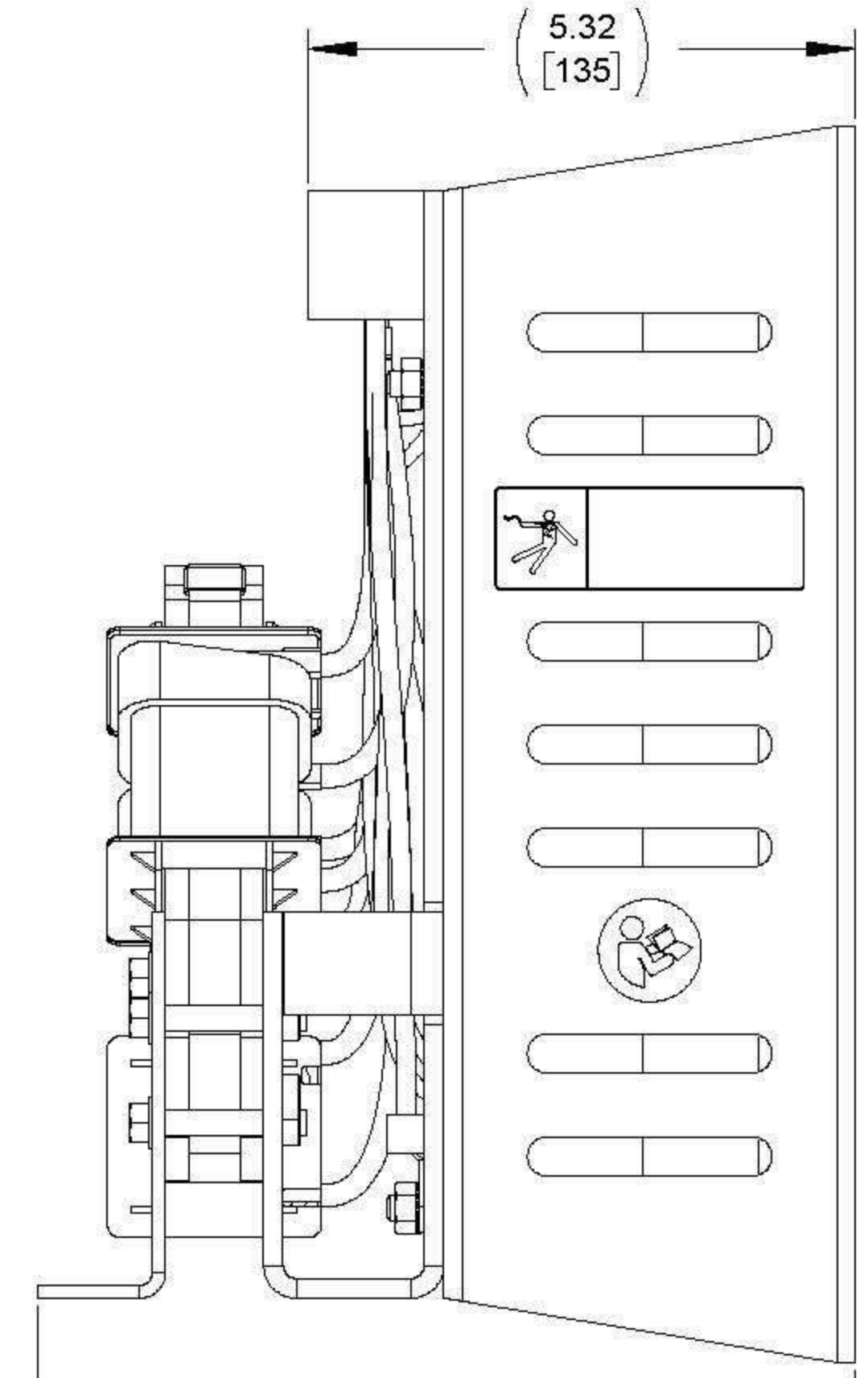
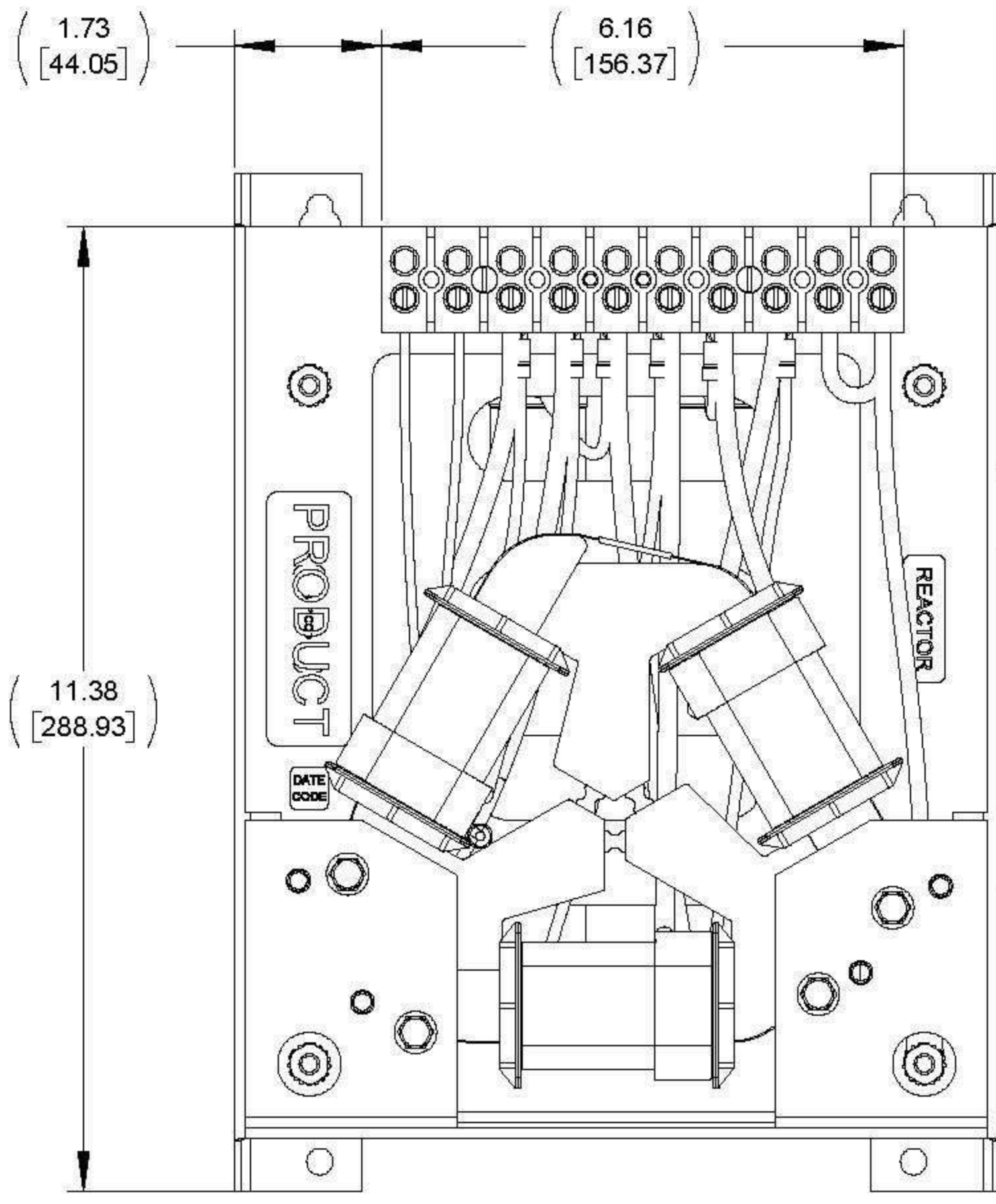
APPROX. WEIGHT (LBS)
16

ECO No	DESCRIPTION	REVBY	DATE
M9342	LABEL GRAPHICS UPDATED	JT	10/20/14



TOP VIEW

CUSTOMER CONNECTION
DETAIL VIEW



FRONT VIEW

SIDE VIEW

REAR VIEW

NOTES:

1. WIRE RANGE: 4 - 18 AWG
2. TERMINAL SCREW TIGHTENING TORQUE: 16 IN/LBS

<p>THE COMPONENT, PART OR ASSEMBLY DESCRIBED IN THIS DOCUMENT MUST COMPLY WITH THE EU (EUROPEAN UNION) DIRECTIVE RoHS2</p> <p>CONTAINS <math>< .01\%</math> OF ANY SVHC BY WEIGHT PER REACH REGULATION</p>		<p>MATERIAL</p>		<p>CONFIDENTIAL AND PROPRIETARY INFORMATION THIS DOCUMENT CONTAINS CONFIDENTIAL AND PROPRIETARY INFORMATION OF MTE CORPORATION AND MAY NOT BE USED, COPIED OR DISCLOSED TO OTHERS EXCEPT WITH THE AUTHORIZED WRITTEN PERMISSION OF MTE CORPORATION</p>	
<p>UNLESS OTHERWISE SPECIFIED DIMENSIONS ARE IN INCHES (MM) TOLERANCES ARE:</p> <p>ANGLES: $\pm 1^\circ$</p> <p>1 PLACE .X: $\pm .1 [2.5]$</p> <p>2 PLACE .XX: $\pm .03 [0.76]$</p> <p>3 PLACE .XXX: $\pm .010 [0.254]$</p>		<p>N83 W13330 Leon Road Menomonee Falls, WI 53051 USA 800.455.4693 262.253.8200</p>		<p>DESCRIPTION</p> <p>DV SENTRY 45A 380-600V FILTER, OPEN PANEL</p>	
<p>DRAWN MM 07/02/14</p>		<p>DATE</p>		<p>SIZE D CD DVSP0045E</p>	
<p>CHECKED TM 10/21/14</p>		<p>DATE</p>		<p>REV 01</p>	
<p>APPROVED TM 10/21/14</p>		<p>DATE</p>		<p>SCALE 2:3</p>	
				<p>SHEET 1 OF 1</p>	