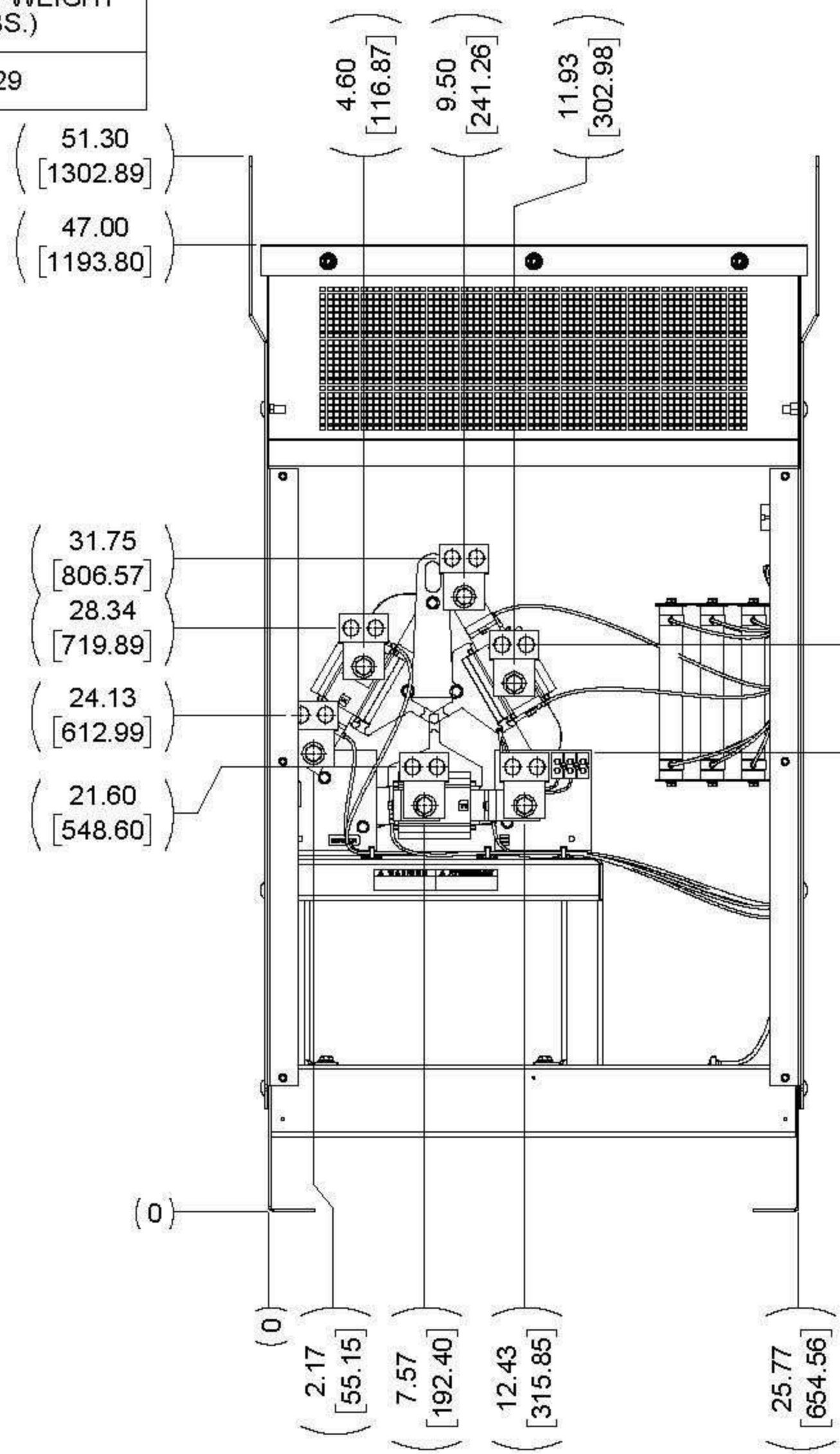
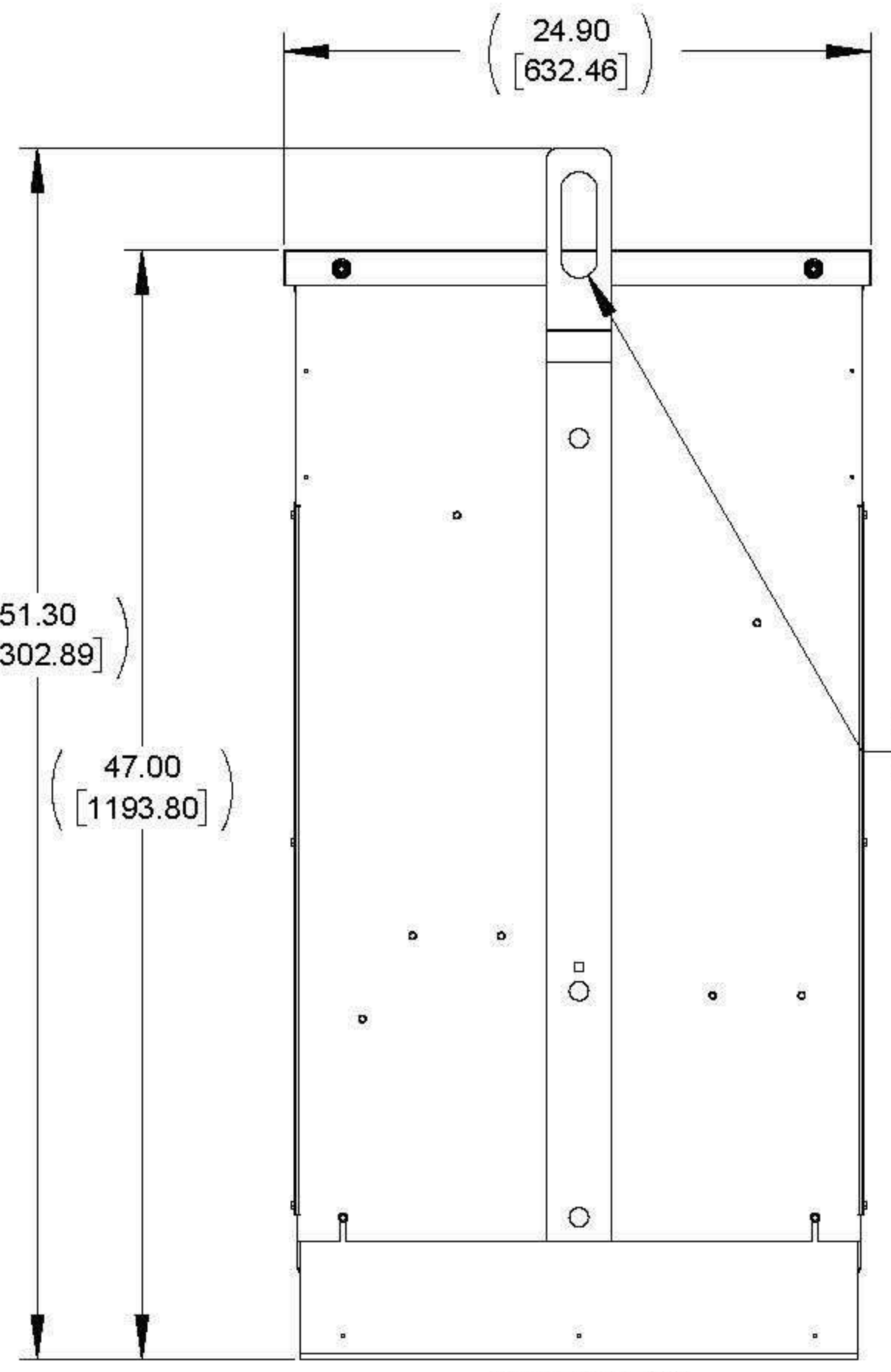


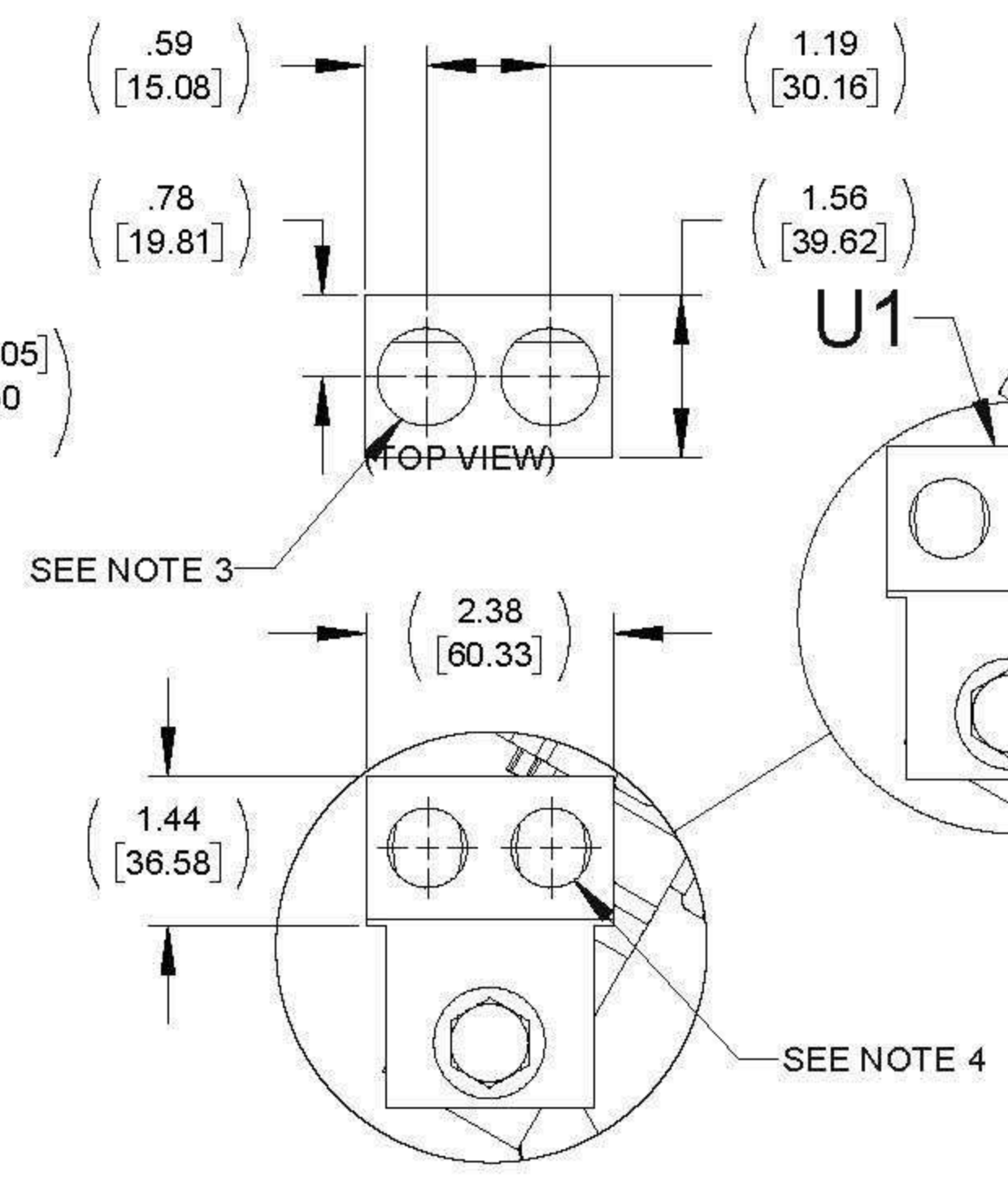
APPROX. WEIGHT (LBS.)
329



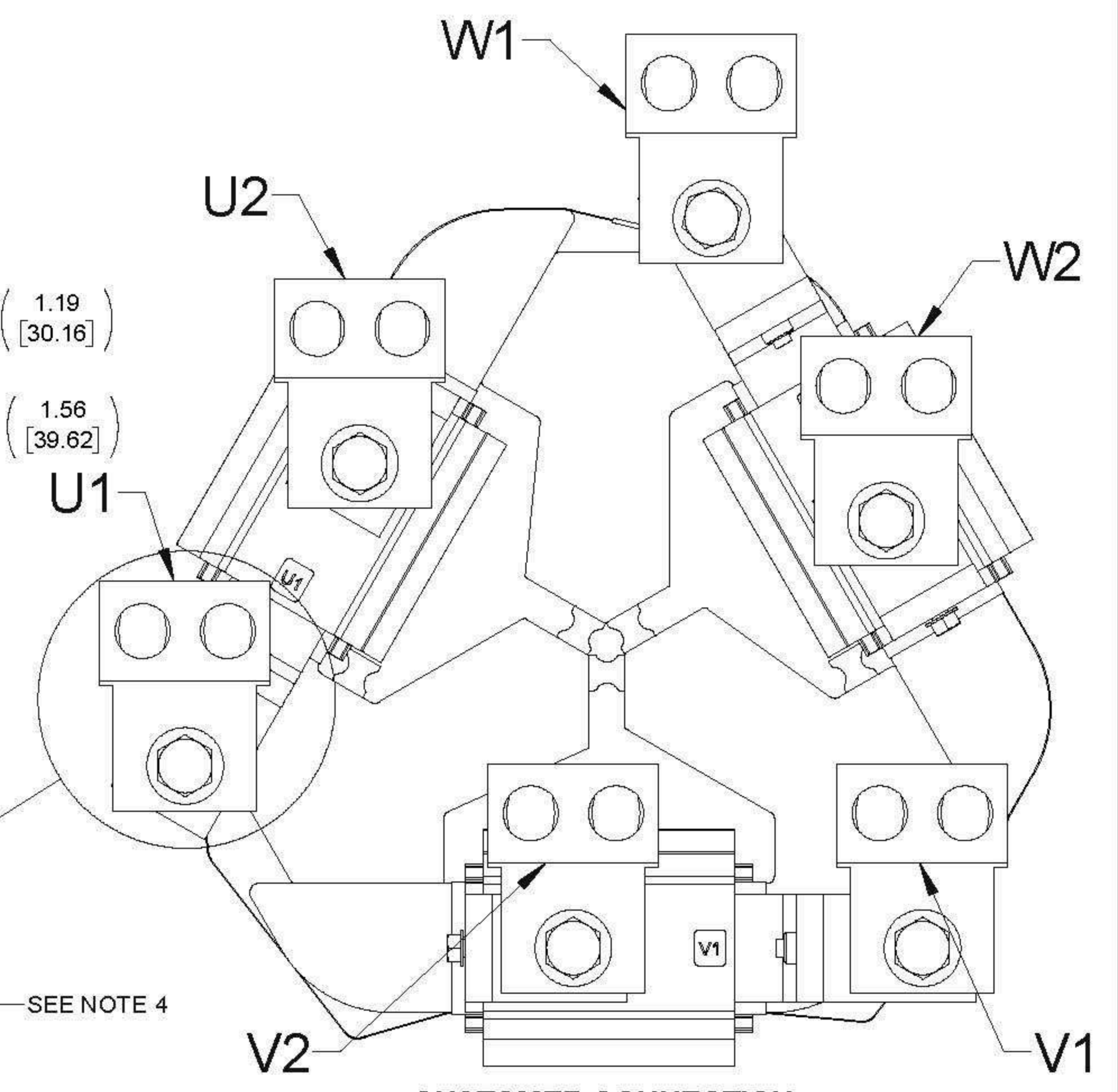
FRONT VIEW
(PANELS REMOVED)



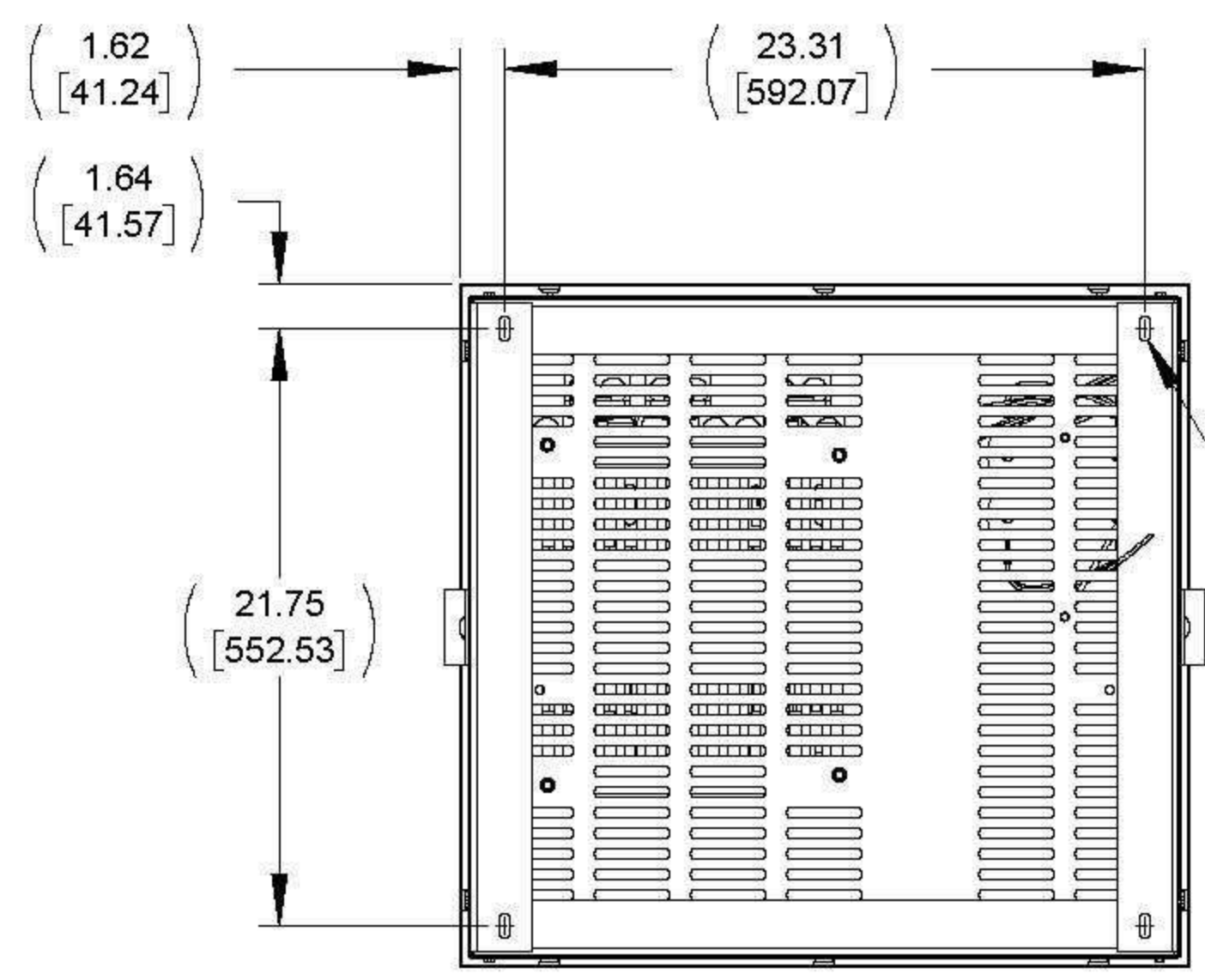
SIDE VIEW



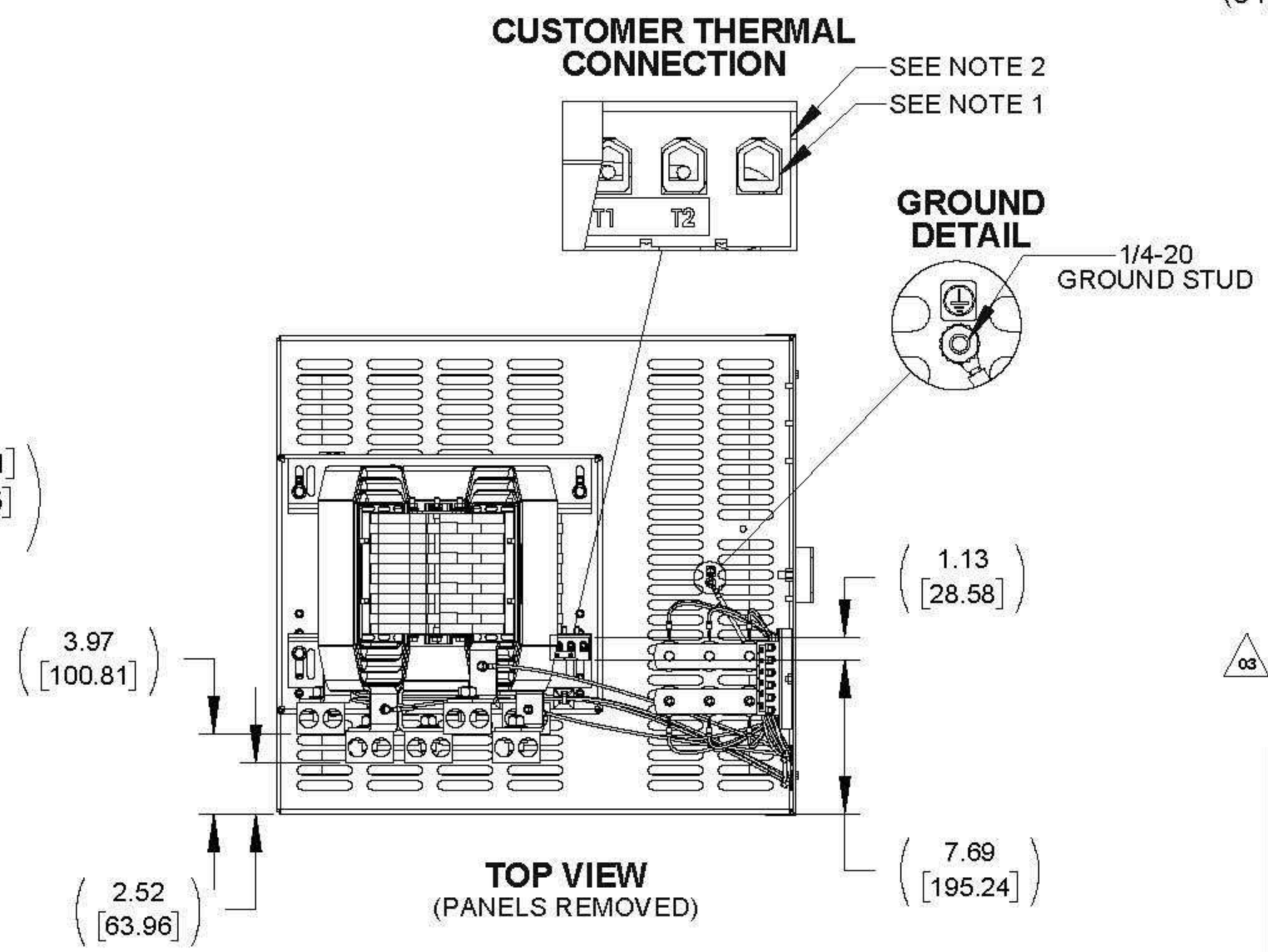
(FRONT VIEW) FIELD TERMINAL DETAIL
(6 PLACES)
(U1,U2,V1,V2,W1,W2)



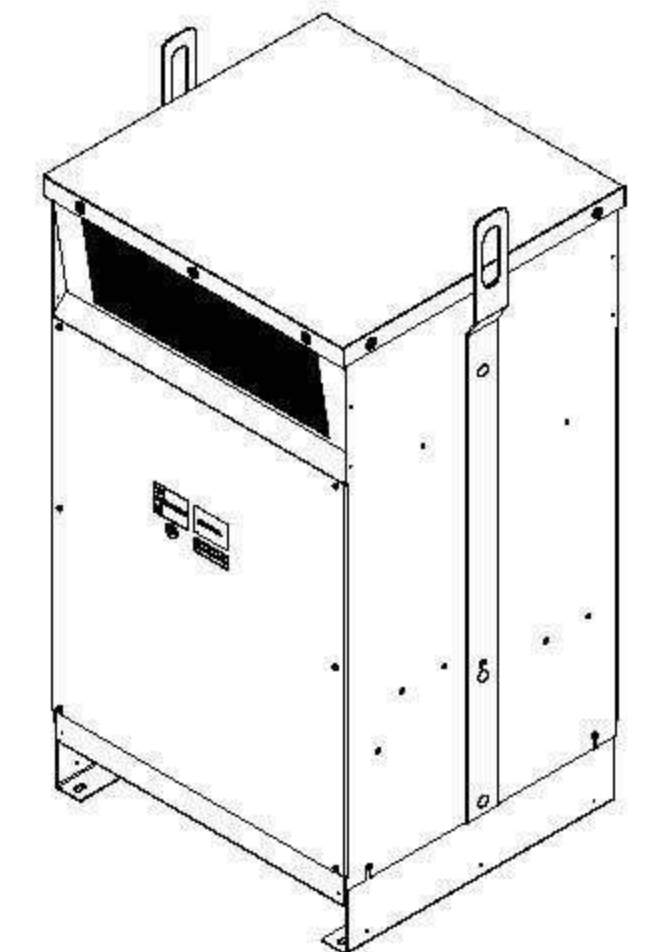
CUSTOMER CONNECTION DETAIL VIEW



BOTTOM VIEW



TOP VIEW
(PANELS REMOVED)



- NOTES:**
1. WIRE RANGE: 4 - 18 AWG
 2. TERMINAL SCREW TIGHTENING TORQUE: 16 IN/LBS, MAX.
 3. WIRE RANGE: 4AWG-600kcmil
 4. TERMINAL SCREW TIGHTENING TORQUE: 500 IN/LBS, MAX.

THE COMPONENT, PART OR ASSEMBLY DESCRIBED IN THIS DOCUMENT MUST COMPLY WITH THE EU (EUROPEAN UNION) DIRECTIVE RoHS2		MATERIAL		CONFIDENTIAL AND PROPRIETARY INFORMATION THIS DOCUMENT CONTAINS CONFIDENTIAL AND PROPRIETARY INFORMATION OF MTE CORPORATION AND MAY NOT BE USED, COPIED OR DISCLOSED TO OTHERS EXCEPT WITH THE AUTHORIZED WRITTEN PERMISSION OF MTE CORPORATION	
CONTAINS <0.1% OF ANY SVHC BY WEIGHT PER REACH REGULATION				DESCRIPTION	
UNLESS OTHERWISE SPECIFIED DIMENSIONS ARE IN INCHES (MM) TOLERANCES ARE:		DRAWN JT DATE 07/30/14		DV SENTRY 515A 380-600V FILTER, NEMA 1/2 ENCL.	
ANGLES: ± 1°		CHECKED TM DATE 03/22/16		SIZE D	
1 PLACE .X: ± .1 [2.5]		APPROVED TM DATE 03/22/16		DWG No. CD DVSG0515E	
2 PLACE .XX: ± .03 [0.76]				REV 03	
3 PLACE .XXX: ± .010 [0.254]				SCALE 1:6	
MTE AN BL POWER ELECTRONICS COMPANY N83 W13330 Leon Road Menomonee Falls, WI 53051 USA 800.455.4693 262.253.8200				SHEET 1 OF 1	