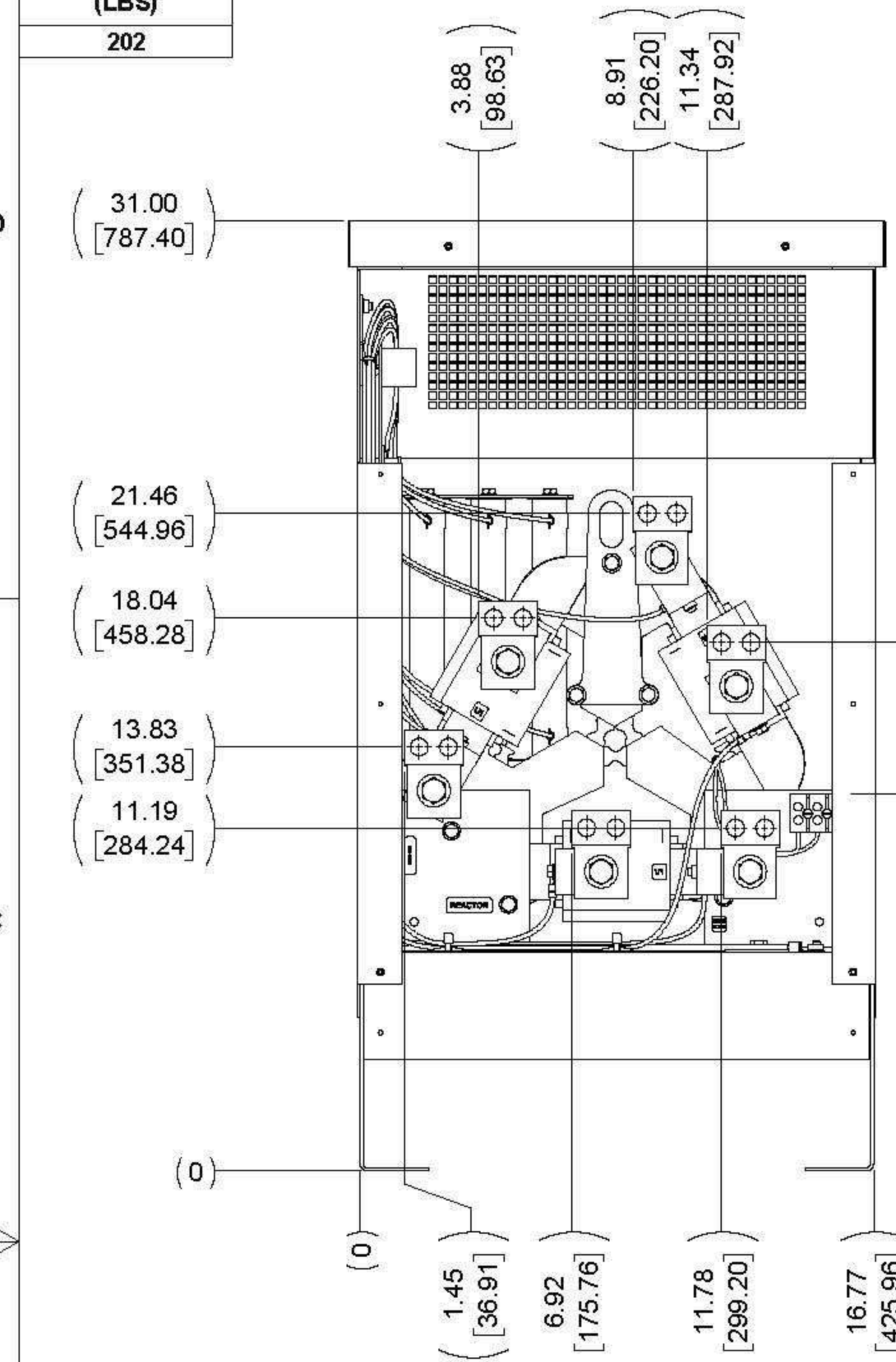
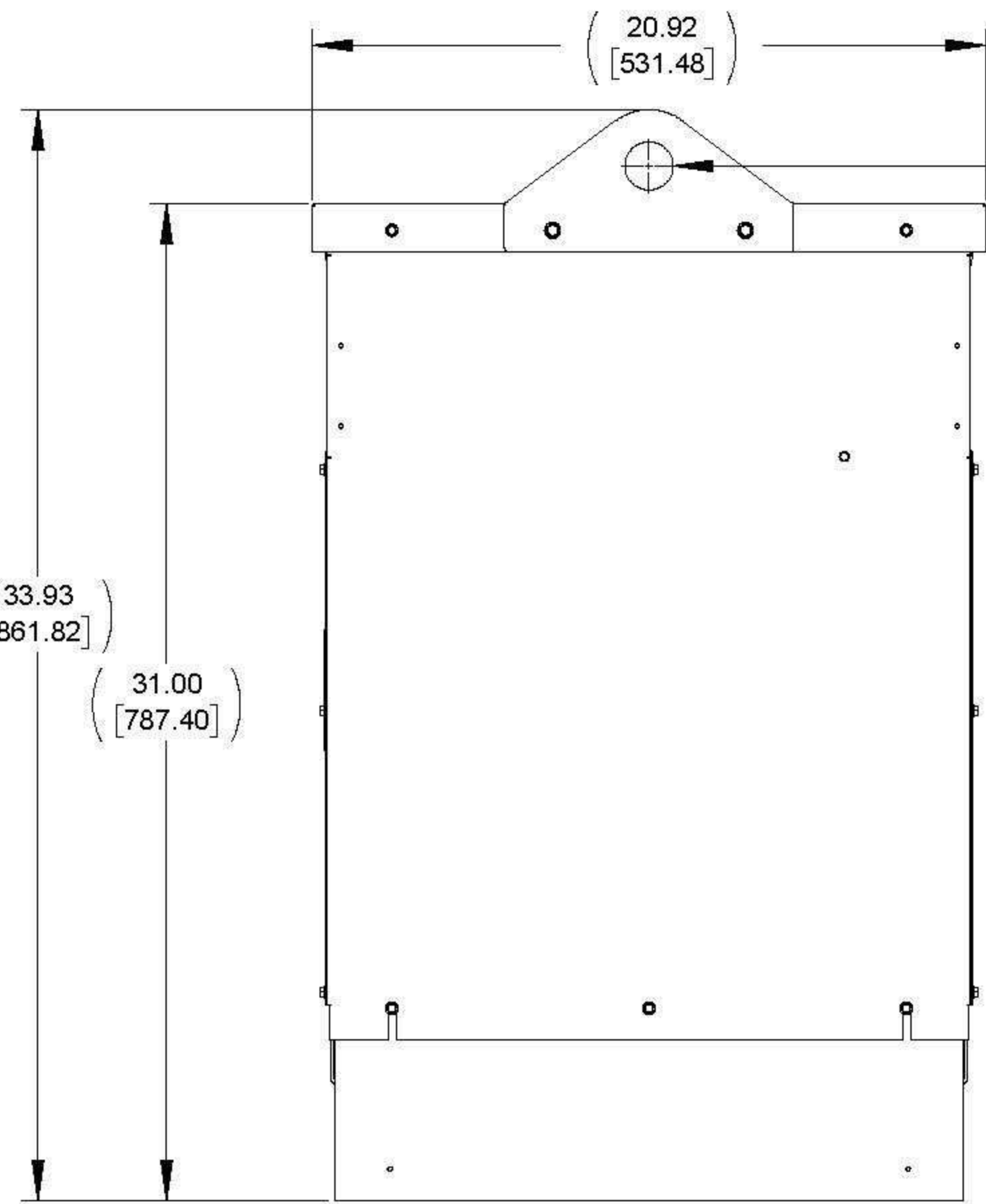


APPROX WEIGHT (LBS)
202

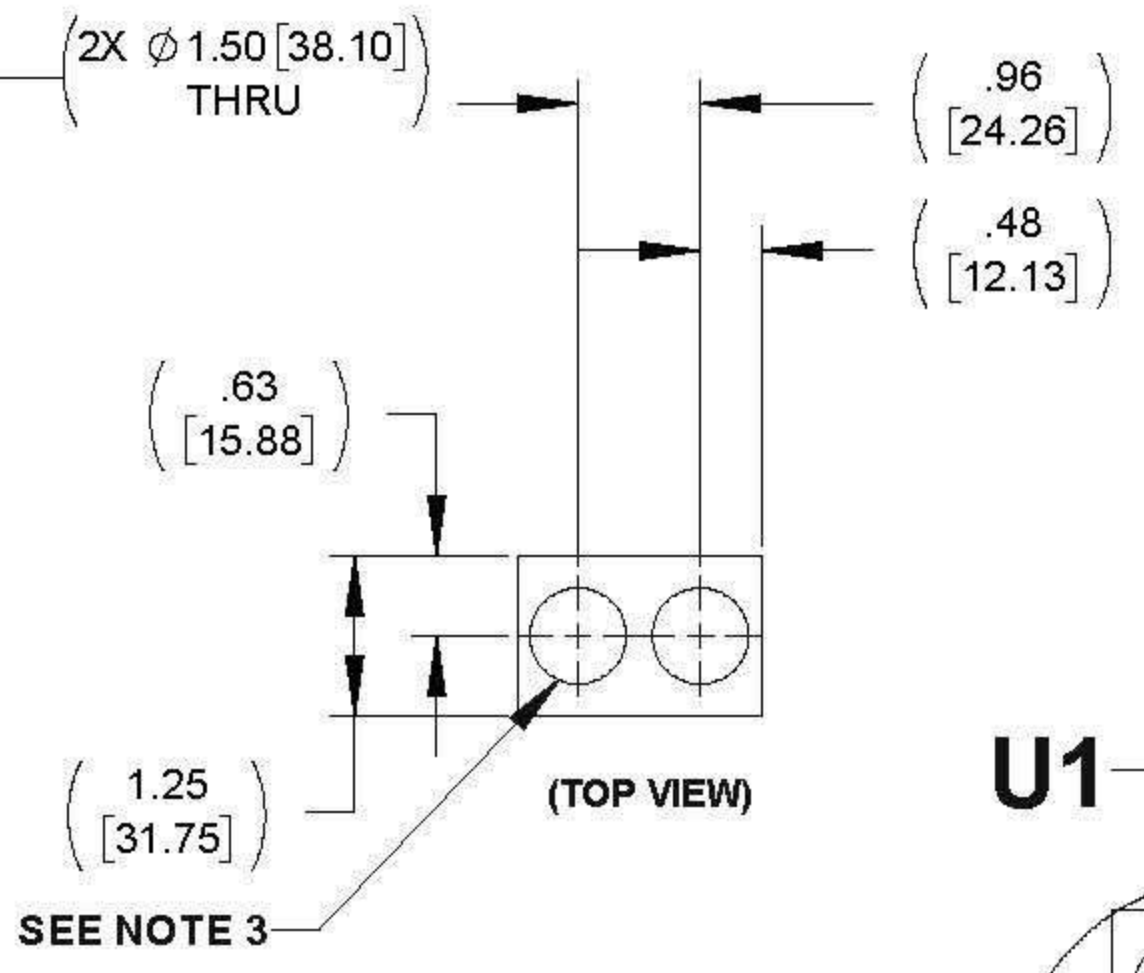
ECO No	DESCRIPTION	REV BY	DATE
M9495	DIM 3.14 WAS 3.67	RAH	03/17/15



**FRONT VIEW
(PANEL REMOVED)**

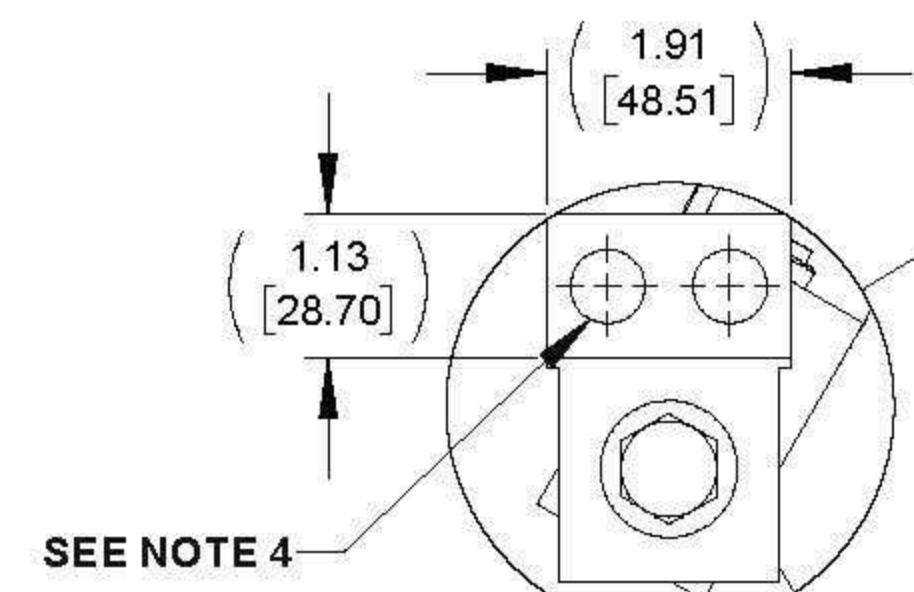


SIDE VIEW



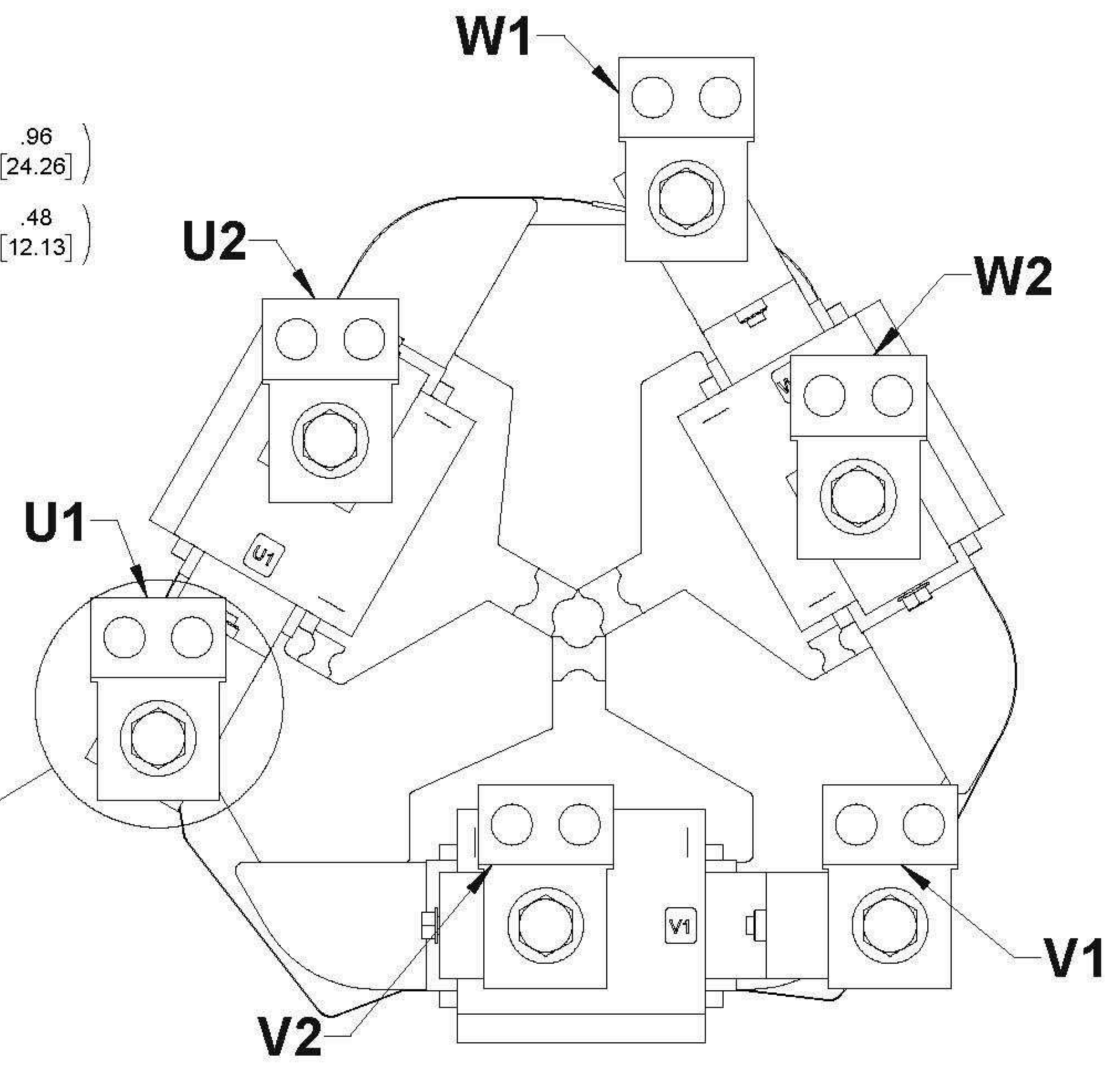
(TOP VIEW)

SEE NOTE 3

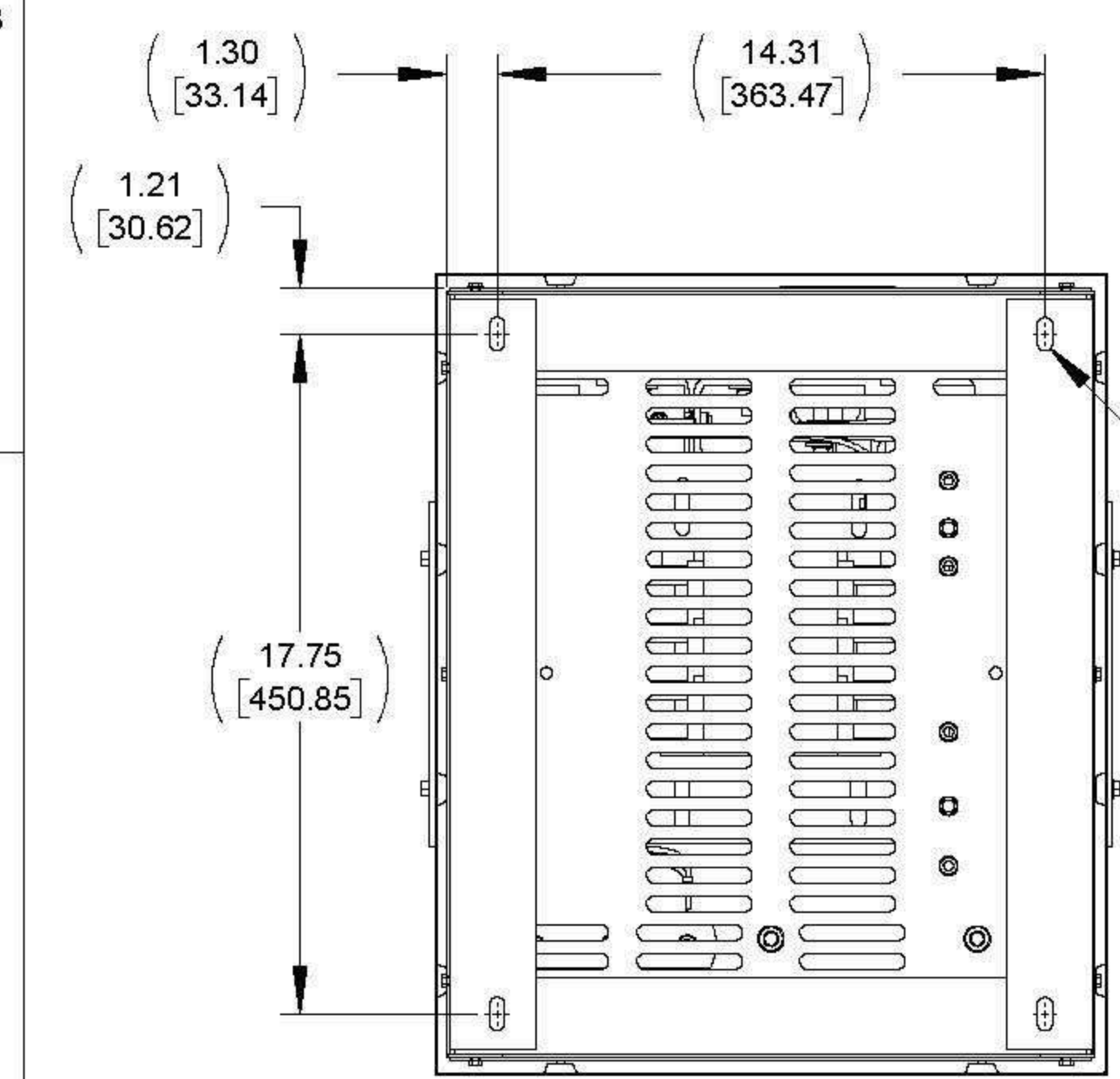


**(FRONT VIEW)
FIELD TERMINAL
DETAIL
(6 PLACES)
(U1, U2, V1, V2, W1, W2)**

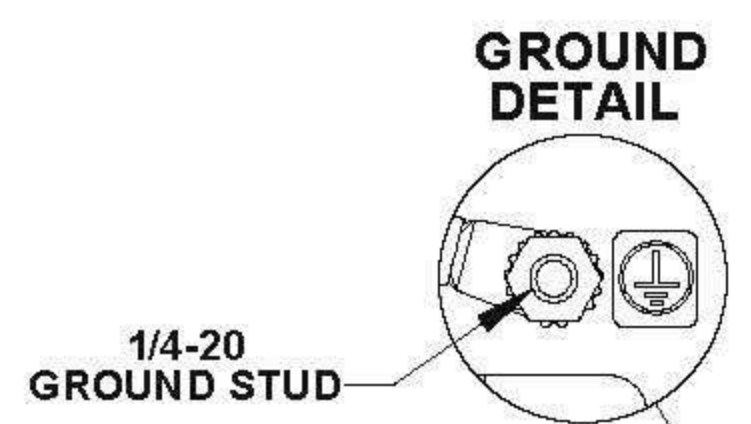
SEE NOTE 4



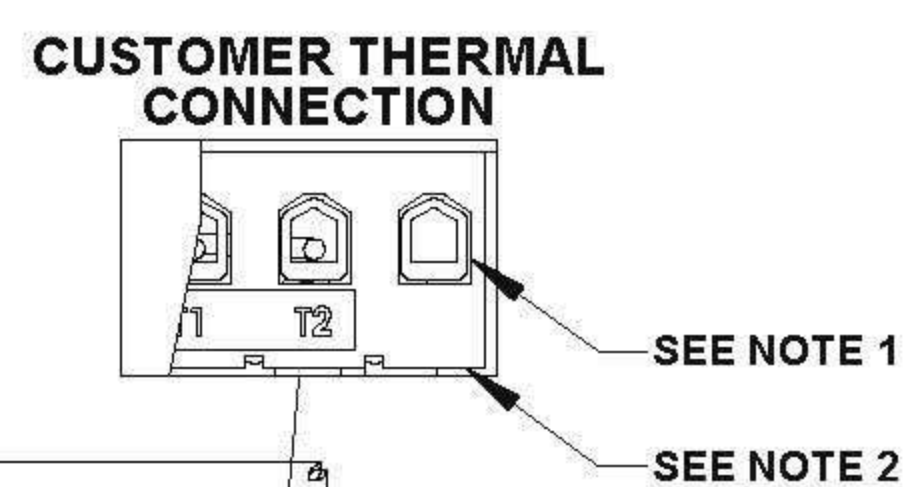
**CUSTOMER CONNECTION
DETAIL VIEW**



BOTTOM VIEW



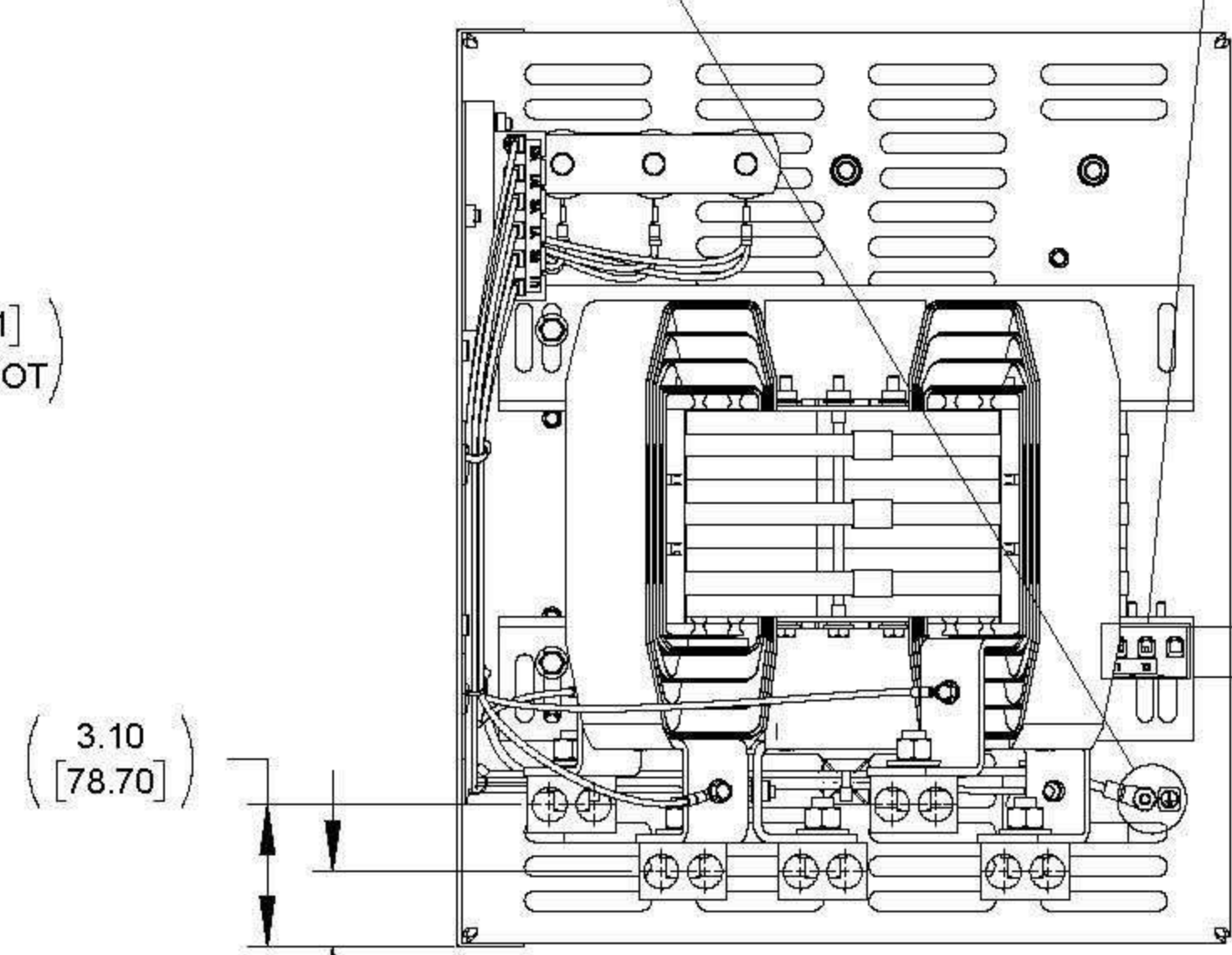
**GROUND
DETAIL**



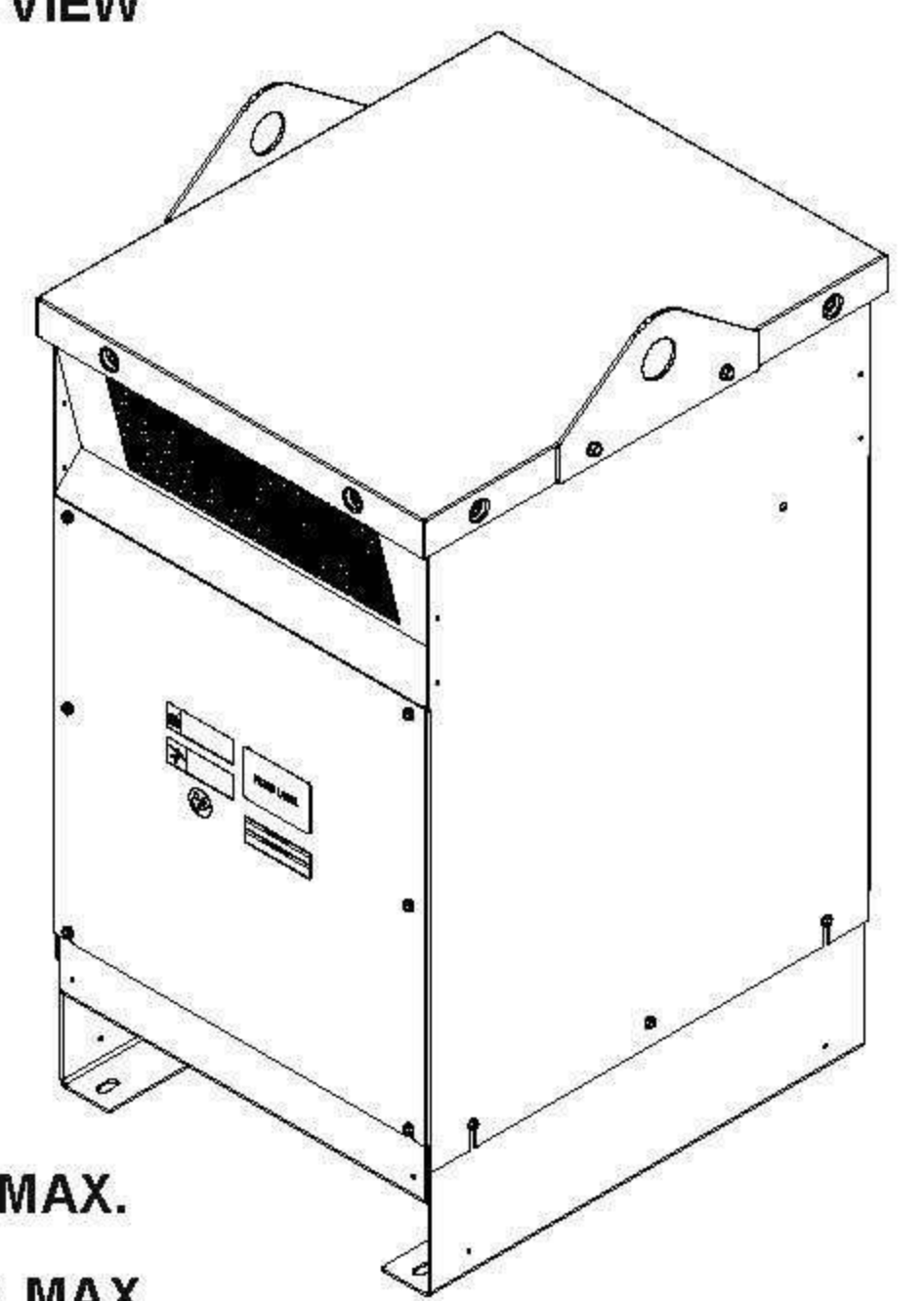
**CUSTOMER THERMAL
CONNECTION**

SEE NOTE 1

SEE NOTE 2



**TOP VIEW
(PANELS REMOVED)**



NOTES:

1. WIRE RANGE: 4 - 18 AWG
2. TERMINAL SCREW TIGHTENING TORQUE: 16 IN/LBS, MAX.
3. WIRE RANGE: 350 kcmil - 6 AWG
4. TERMINAL SCREW TIGHTENING TORQUE: 500 IN/LBS, MAX.

THE COMPONENT, PART OR ASSEMBLY DESCRIBED IN THIS DOCUMENT MUST COMPLY WITH THE EU (EUROPEAN UNION) DIRECTIVE RoHS2	
CONTAINS <0.1% OF ANY SVHC BY WEIGHT PER REACH REGULATION	
UNLESS OTHERWISE SPECIFIED DIMENSIONS ARE IN INCHES (MM) TOLERANCES ARE:	
ANGLES: ± 1°	
1 PLACE .X: ± .1 [2.5]	
2 PLACE .XX: ± .03 [0.76]	
3 PLACE .XXX: ± .010 [0.254]	



MATERIAL	
DRAWN	DATE
MM	07/31/14
CHECKED	DATE
RH	03/18/15
APPROVED	DATE
RH	03/18/15

CONFIDENTIAL AND PROPRIETARY INFORMATION THIS DOCUMENT CONTAINS CONFIDENTIAL AND PROPRIETARY INFORMATION OF MTE CORPORATION AND MAY NOT BE USED, COPIED OR DISCLOSED TO OTHERS EXCEPT WITH THE AUTHORIZED WRITTEN PERMISSION OF MTE CORPORATION		
DESCRIPTION		
DV SENTRY 415A 380-600V FILTER, NEMA 1/2 ENCL.		
SIZE	DWG No.	REV
D	CD DVSG0415E	02
SCALE	SHEET 1 OF 1	
1:4		