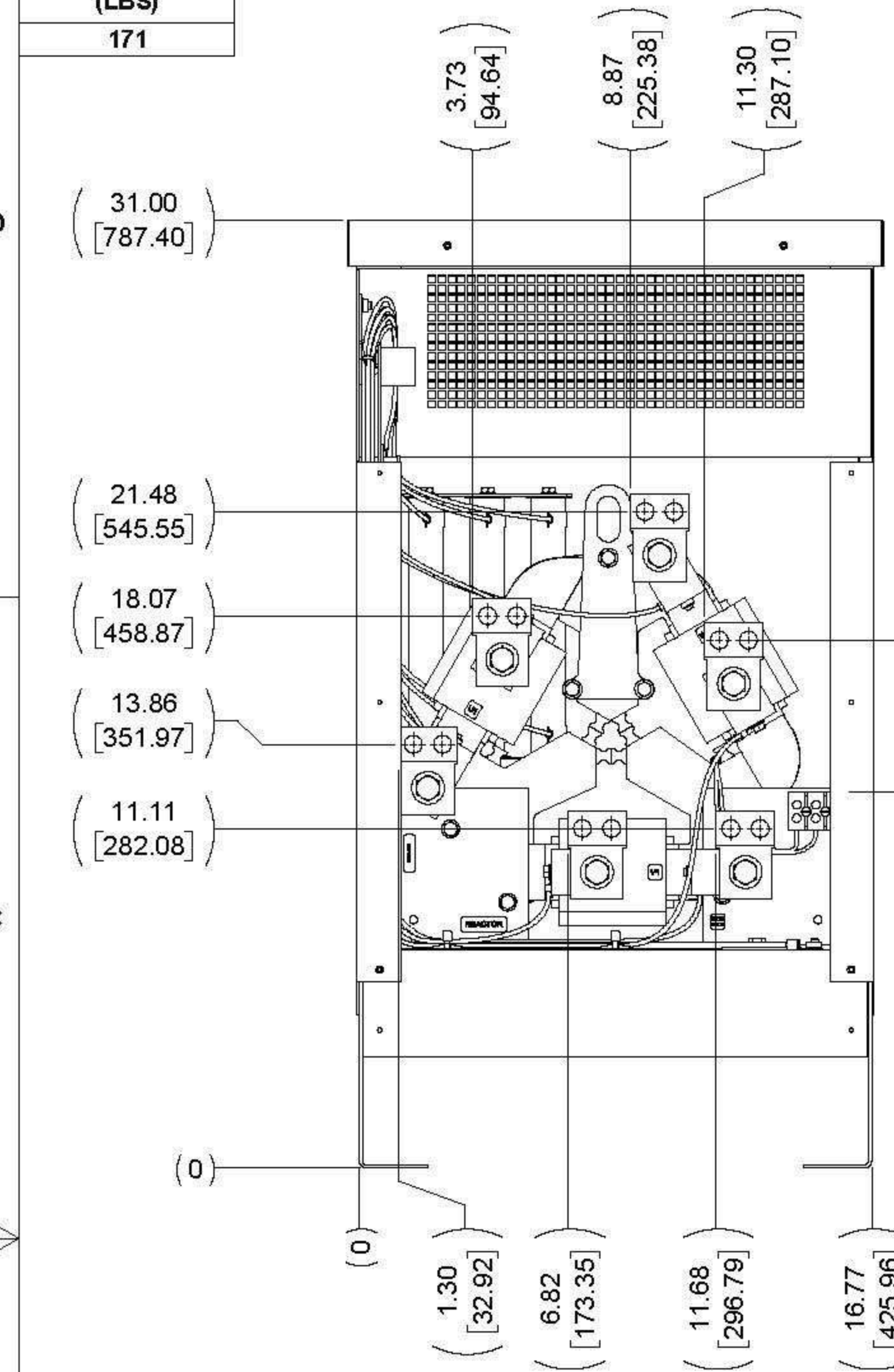
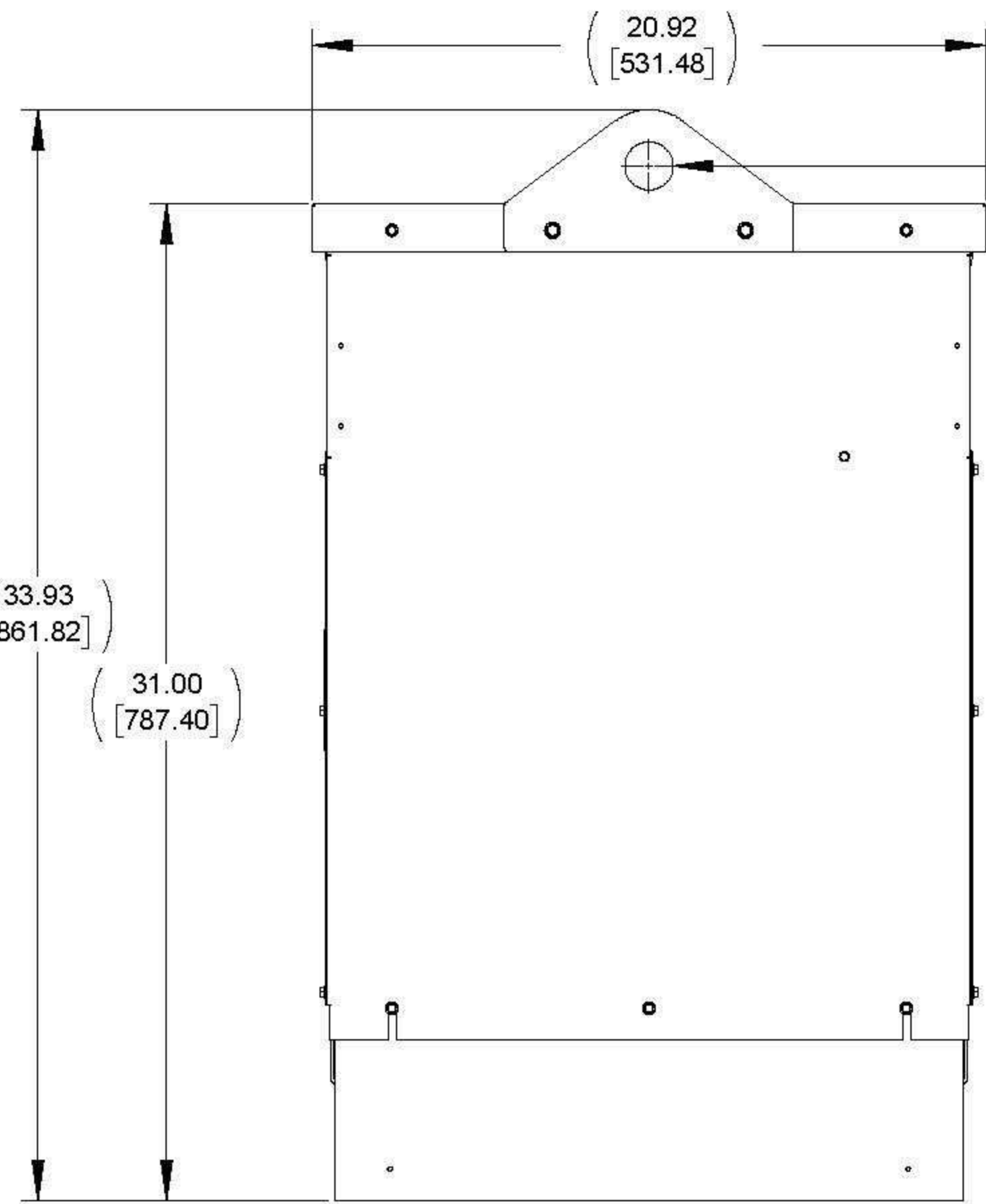


APPROX WEIGHT (LBS)
171

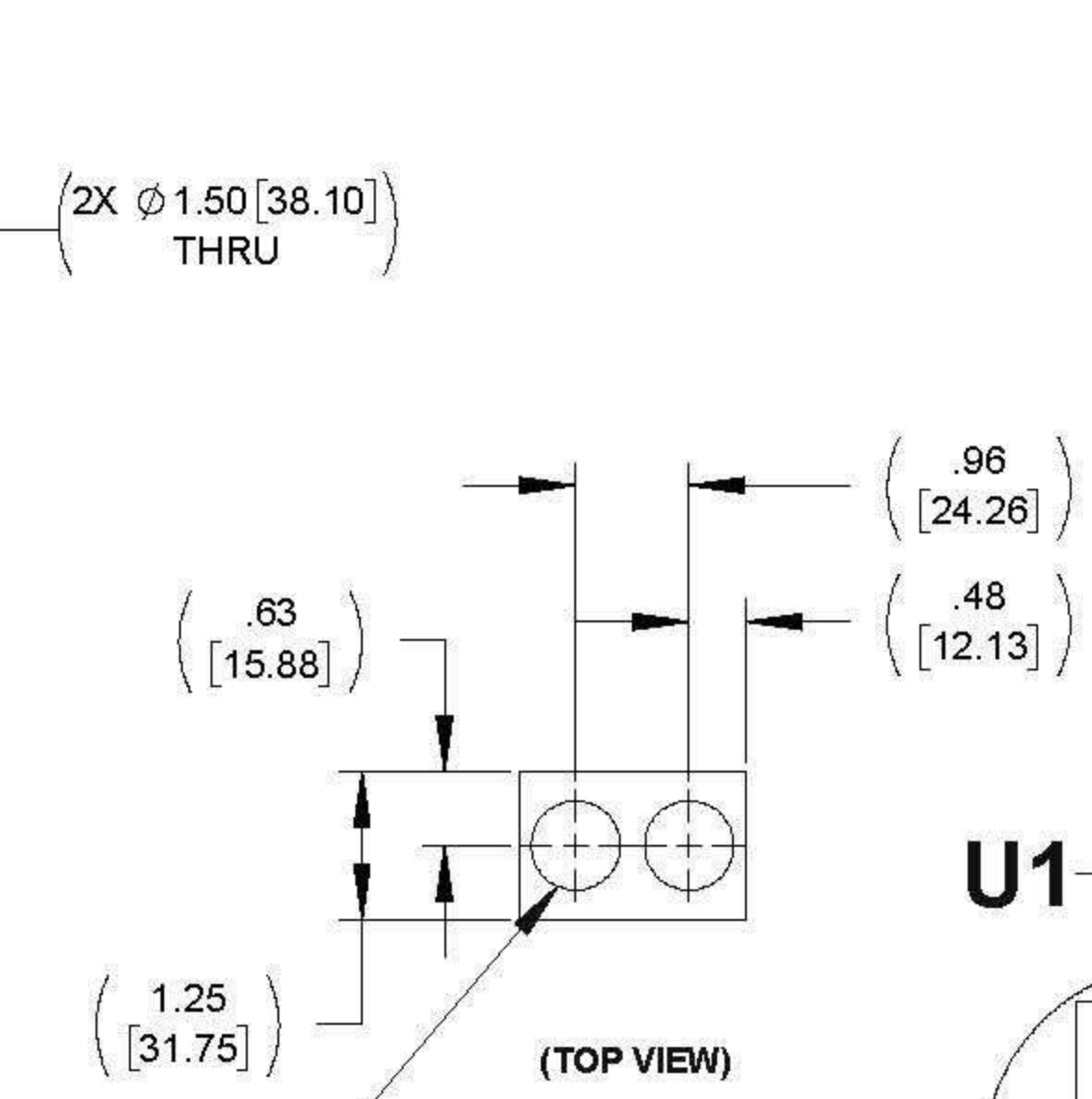
ECO No	DESCRIPTION	REVBY	DATE
M9495	DIM 4.22 WAS 4.71	RAH	03/17/15



FRONT VIEW (PANEL REMOVED)



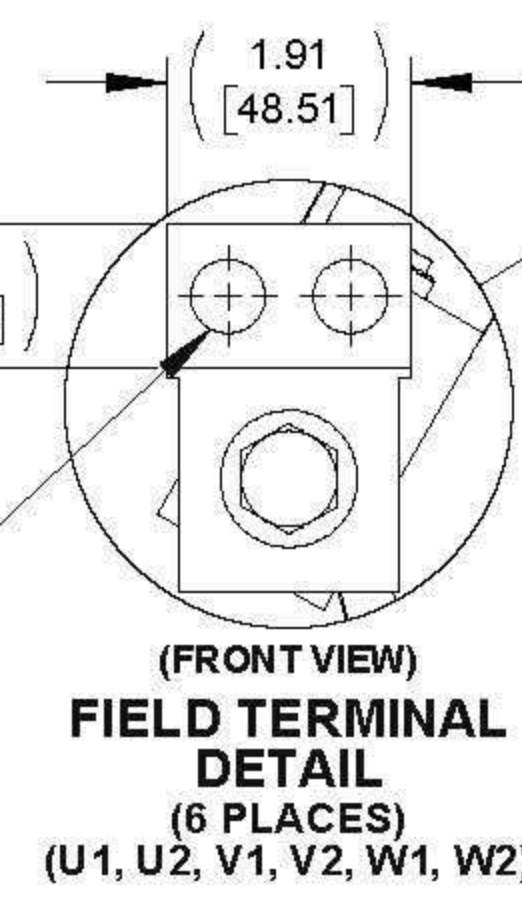
SIDE VIEW



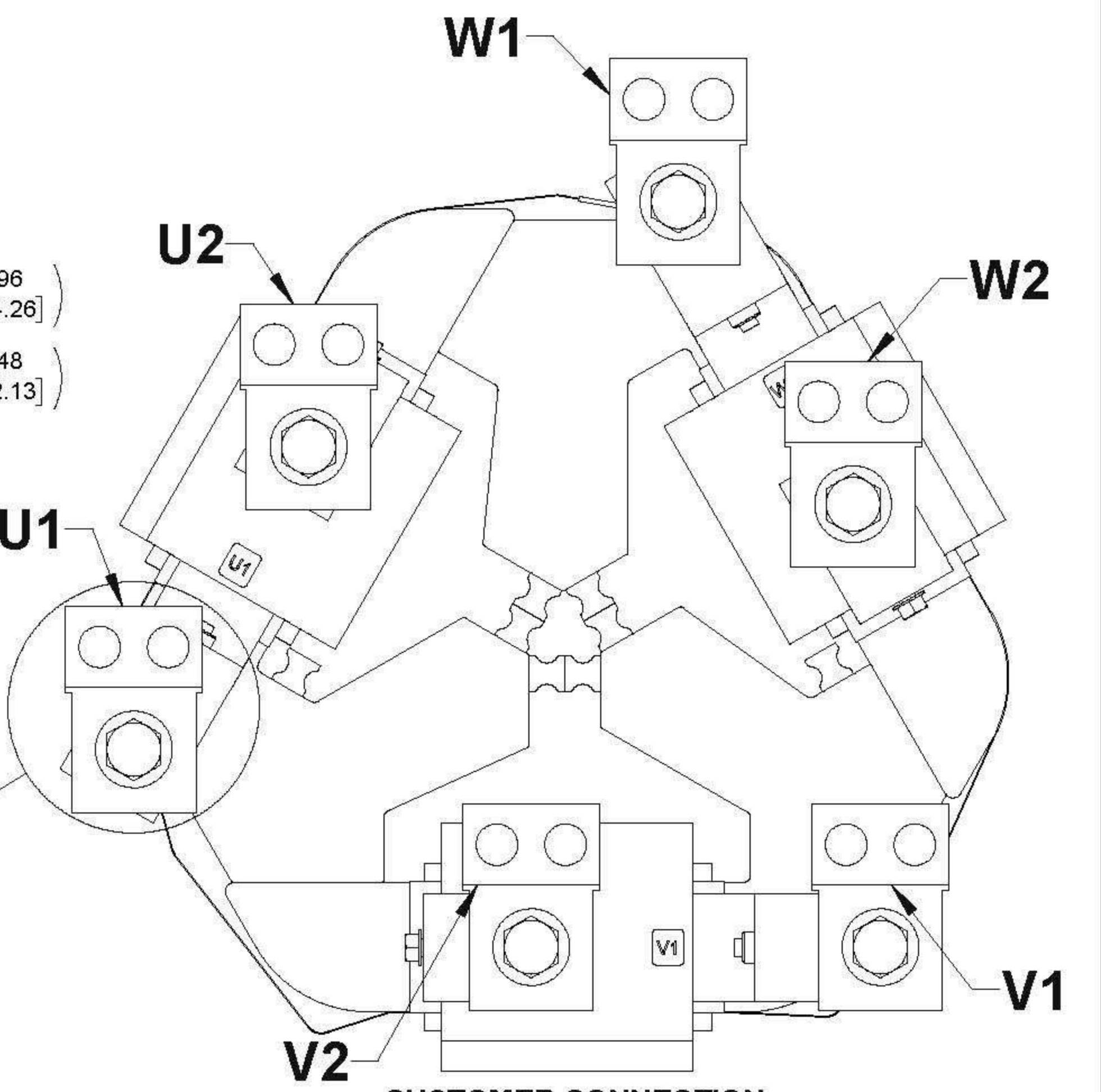
(TOP VIEW)

SEE NOTE 3

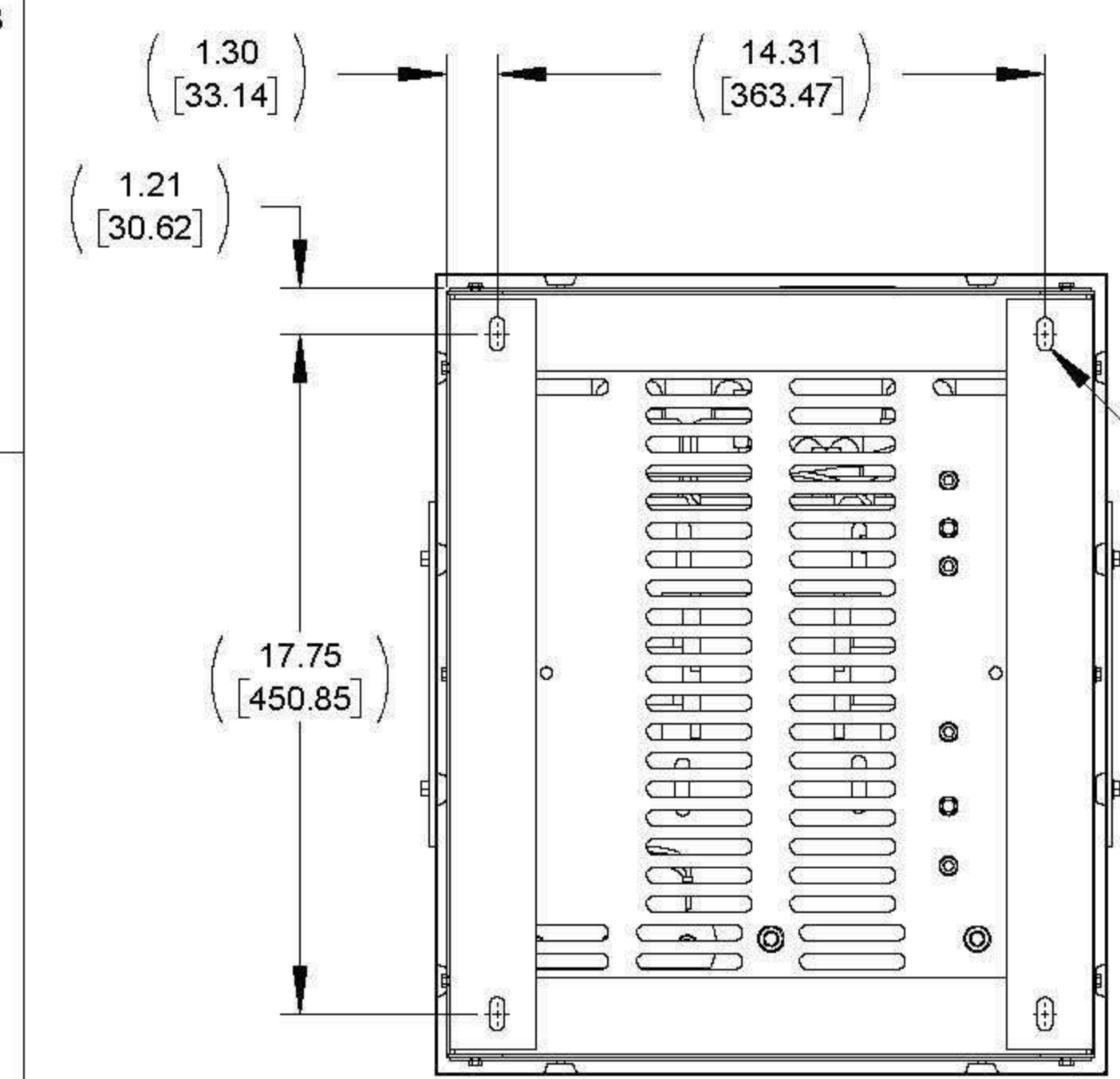
SEE NOTE 4



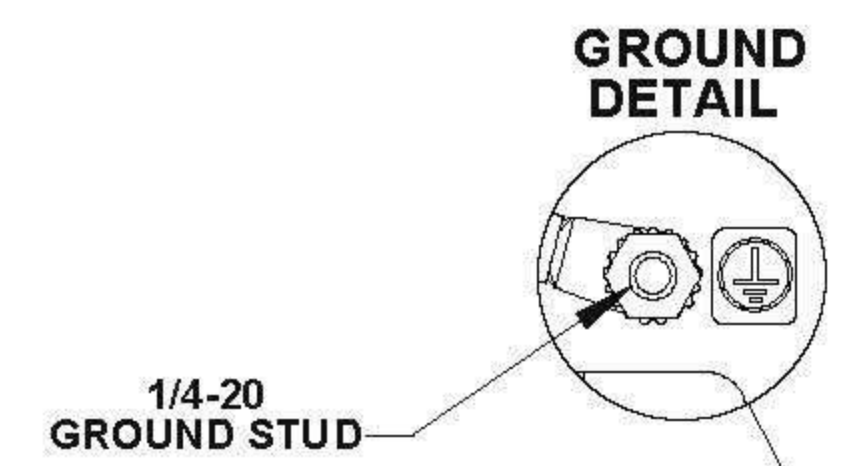
(FRONT VIEW)



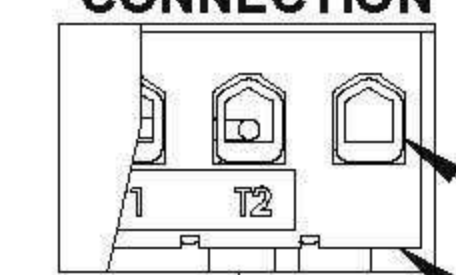
CUSTOMER CONNECTION DETAIL VIEW



BOTTOM VIEW



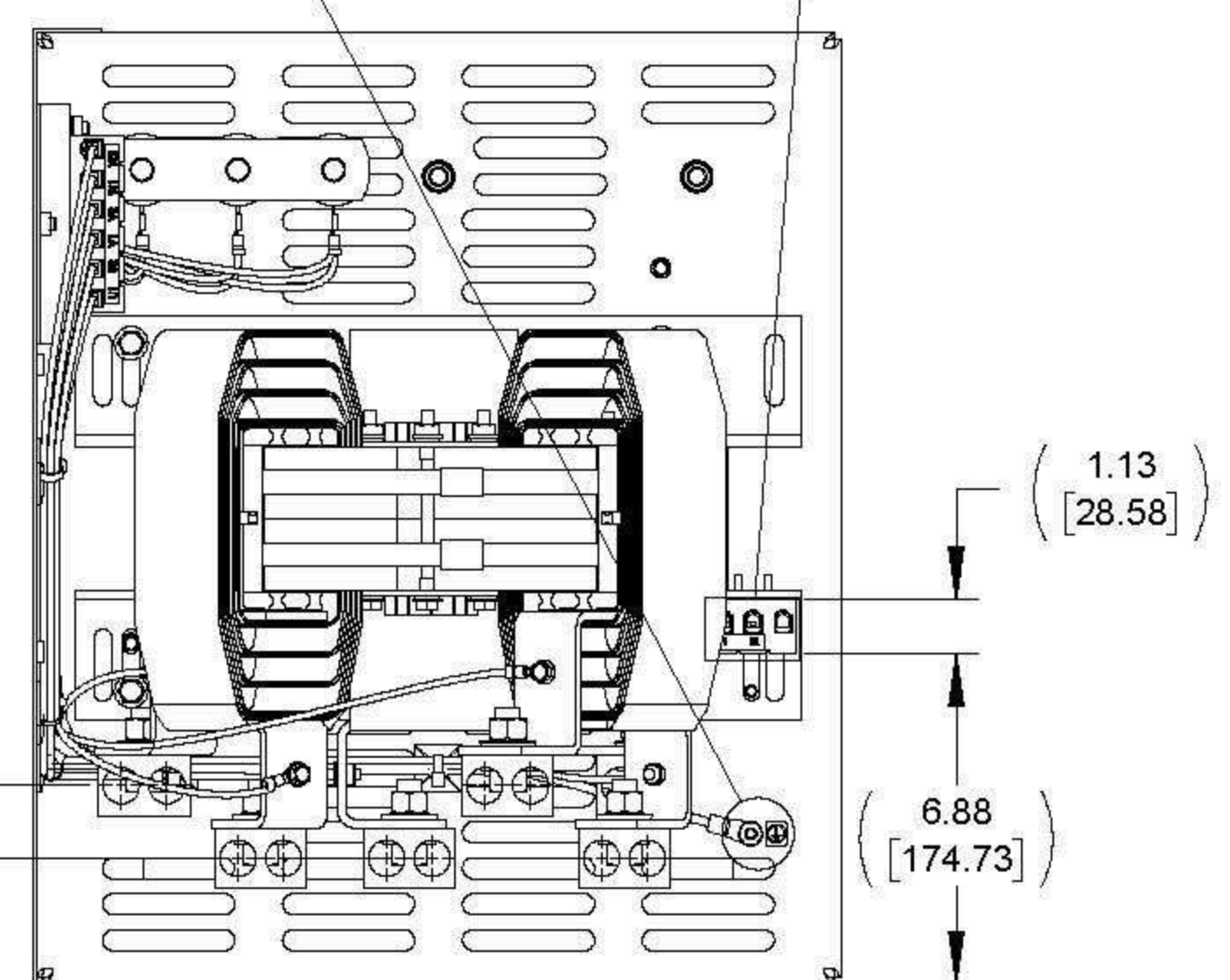
CUSTOMER THERMAL CONNECTION



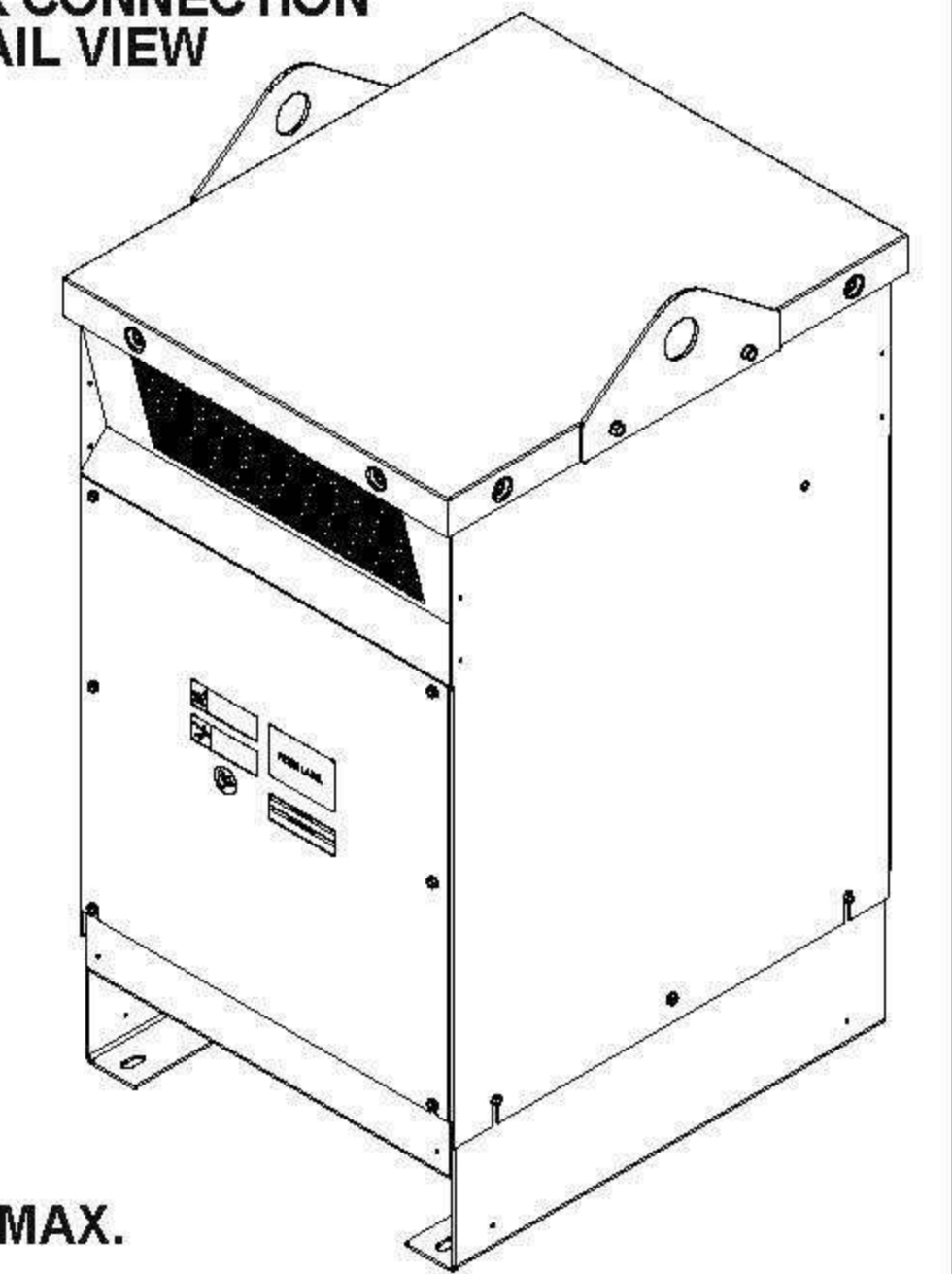
SEE NOTE 1

SEE NOTE 2

4X Ø.41 [10.41]
 X .88 [22.35] SLOT



TOP VIEW (PANELS REMOVED)



NOTES:

1. WIRE RANGE: 4 - 18 AWG
2. TERMINAL SCREW TIGHTENING TORQUE: 16 IN/LBS, MAX.
3. WIRE RANGE: 350 kcmil - 6 AWG
4. TERMINAL SCREW TIGHTENING TORQUE: 500 IN/LBS, MAX.

THE COMPONENT, PART OR ASSEMBLY DESCRIBED IN THIS DOCUMENT MUST COMPLY WITH THE EU (EUROPEAN UNION) DIRECTIVE RoHS2		MATERIAL		CONFIDENTIAL AND PROPRIETARY INFORMATION THIS DOCUMENT CONTAINS CONFIDENTIAL AND PROPRIETARY INFORMATION OF MTE CORPORATION AND MAY NOT BE USED, COPIED OR DISCLOSED TO OTHERS EXCEPT WITH THE AUTHORIZED WRITTEN PERMISSION OF MTE CORPORATION	
CONTAINS <0.1% OF ANY SVHC BY WEIGHT PER REACH REGULATION				DESCRIPTION	
UNLESS OTHERWISE SPECIFIED DIMENSIONS ARE IN INCHES (MM) TOLERANCES ARE:		DRAWN		DV SENTRY 305A 380-600V FILTER, NEMA 1/2 ENCL.	
ANGLES: ± 1°		DATE		SIZE	
1 PLACE .X: ± .1 [2.5]		07/31/14		D	
2 PLACE .XX: ± .03 [0.76]		CHECKED		DWG No.	
3 PLACE .XXX: ± .010 [0.254]		RH		CD DVSG0305E	
		DATE		REV	
		03/18/15		02	
		APPROVED		SCALE	
		RH		1:4	
		DATE		SHEET 1 OF 1	
		03/18/15			

