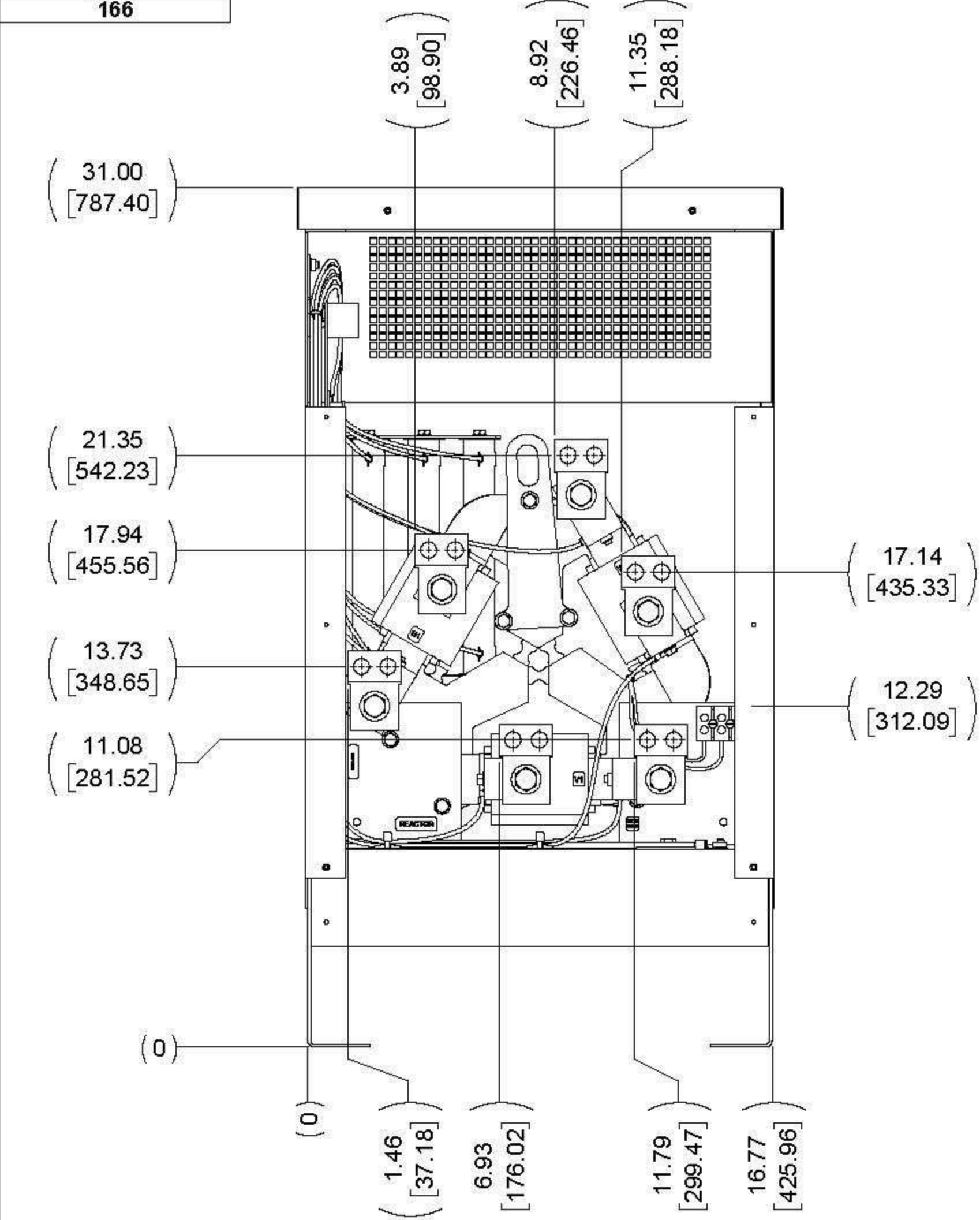
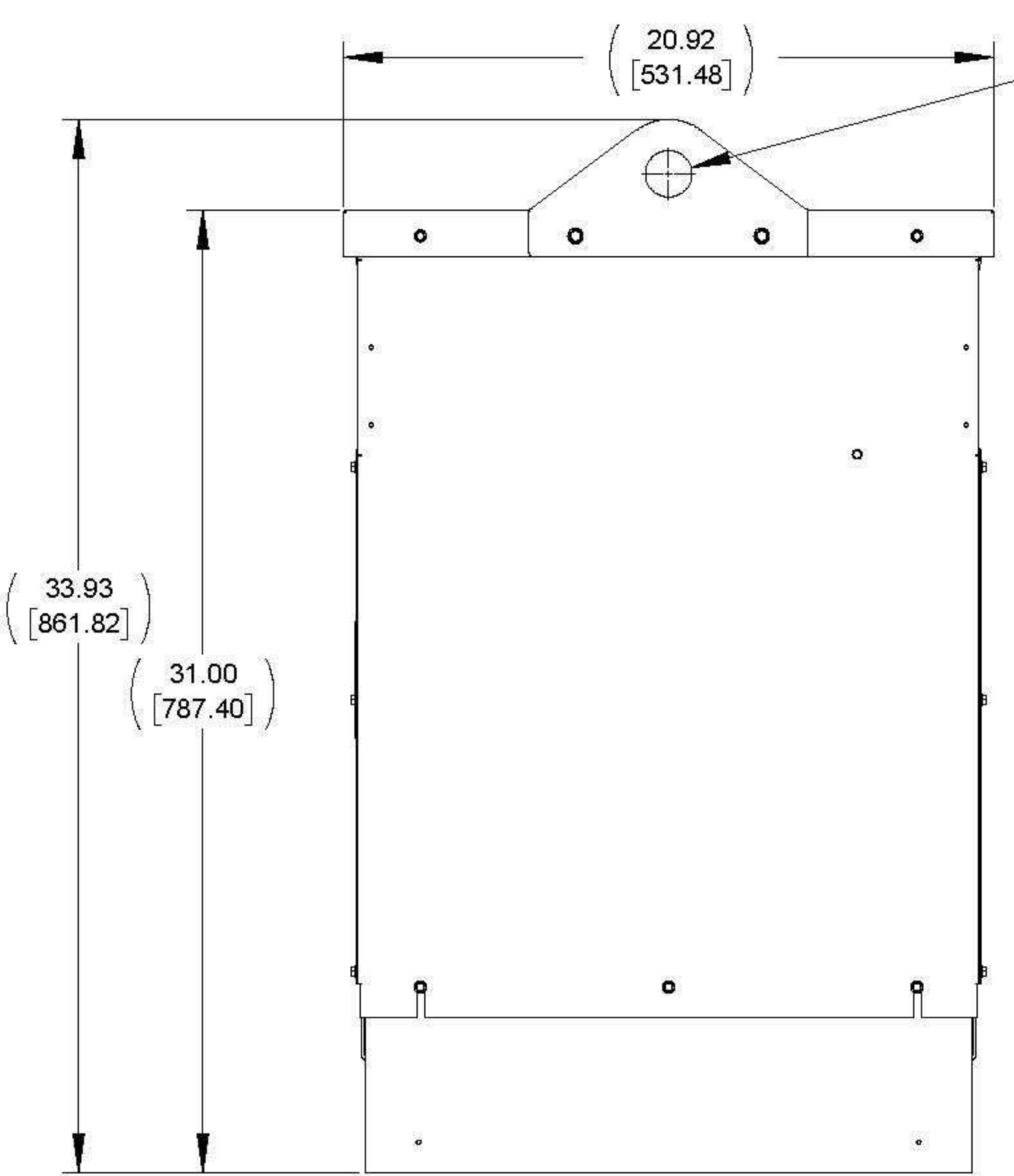


APPROX WEIGHT (LBS)
166

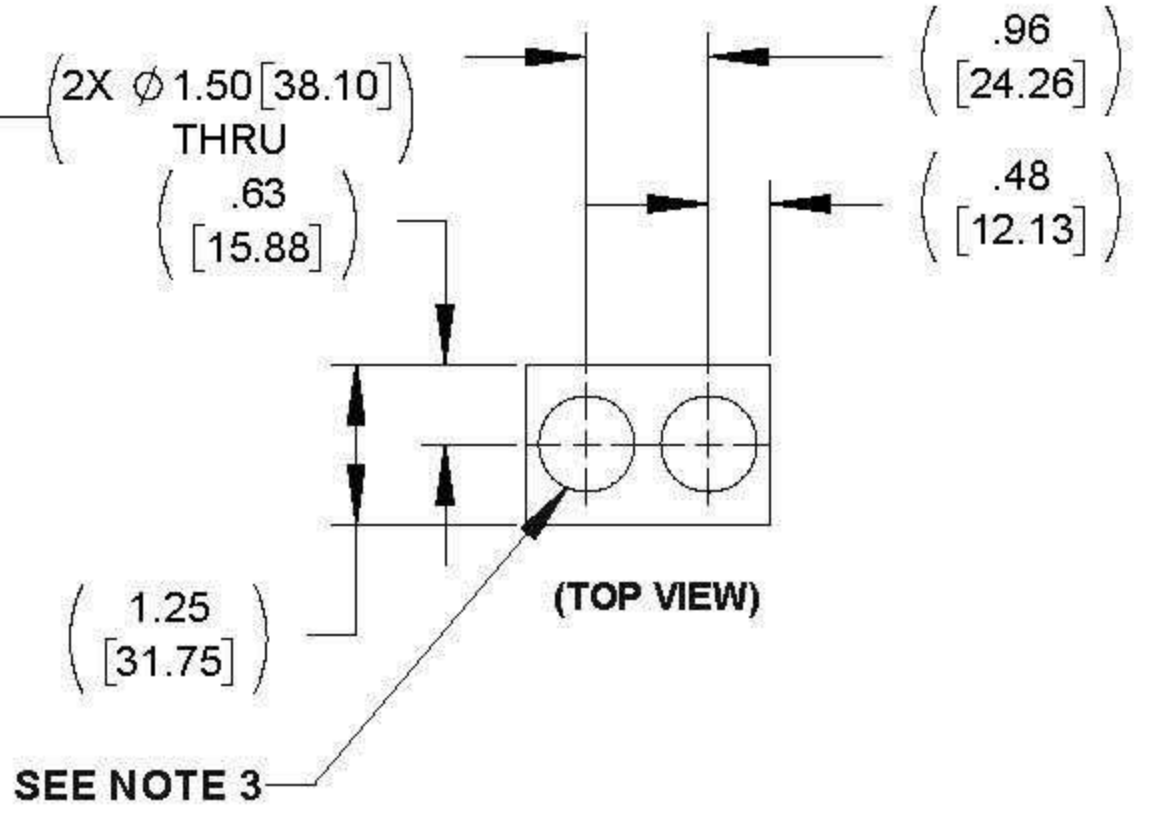
| ECO No | DESCRIPTION | REVBY | DATE |
|--------|-------------------|-------|----------|
| M9495 | DIM 4.23 WAS 4.73 | RAH | 03/17/15 |



**FRONT VIEW
(PANEL REMOVED)**

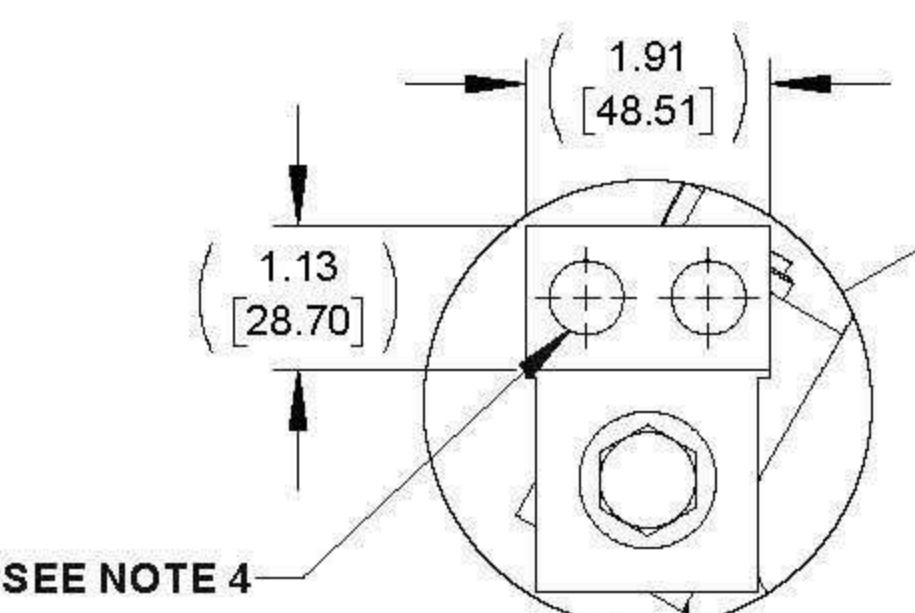


SIDE VIEW



(TOP VIEW)

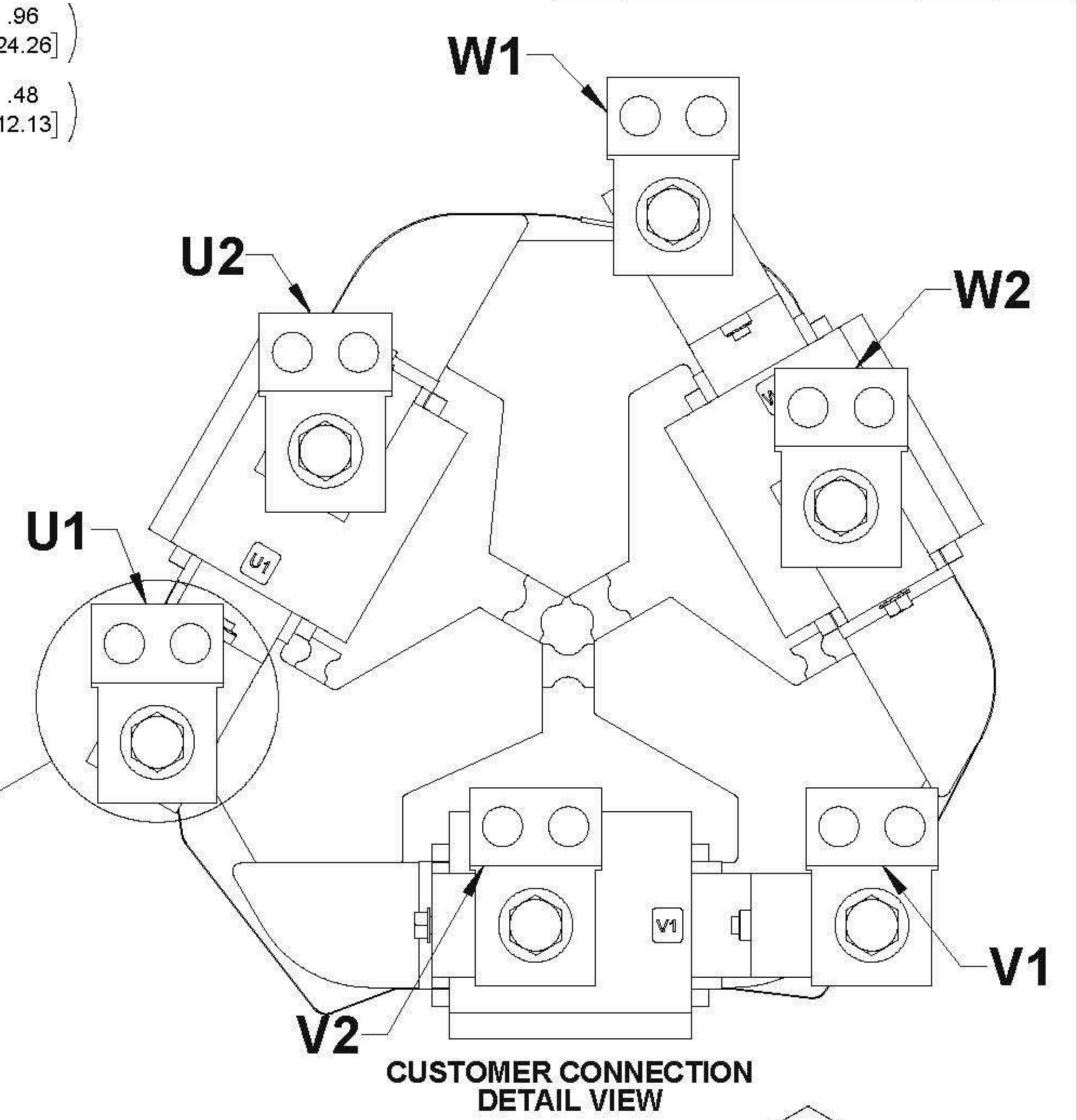
SEE NOTE 3



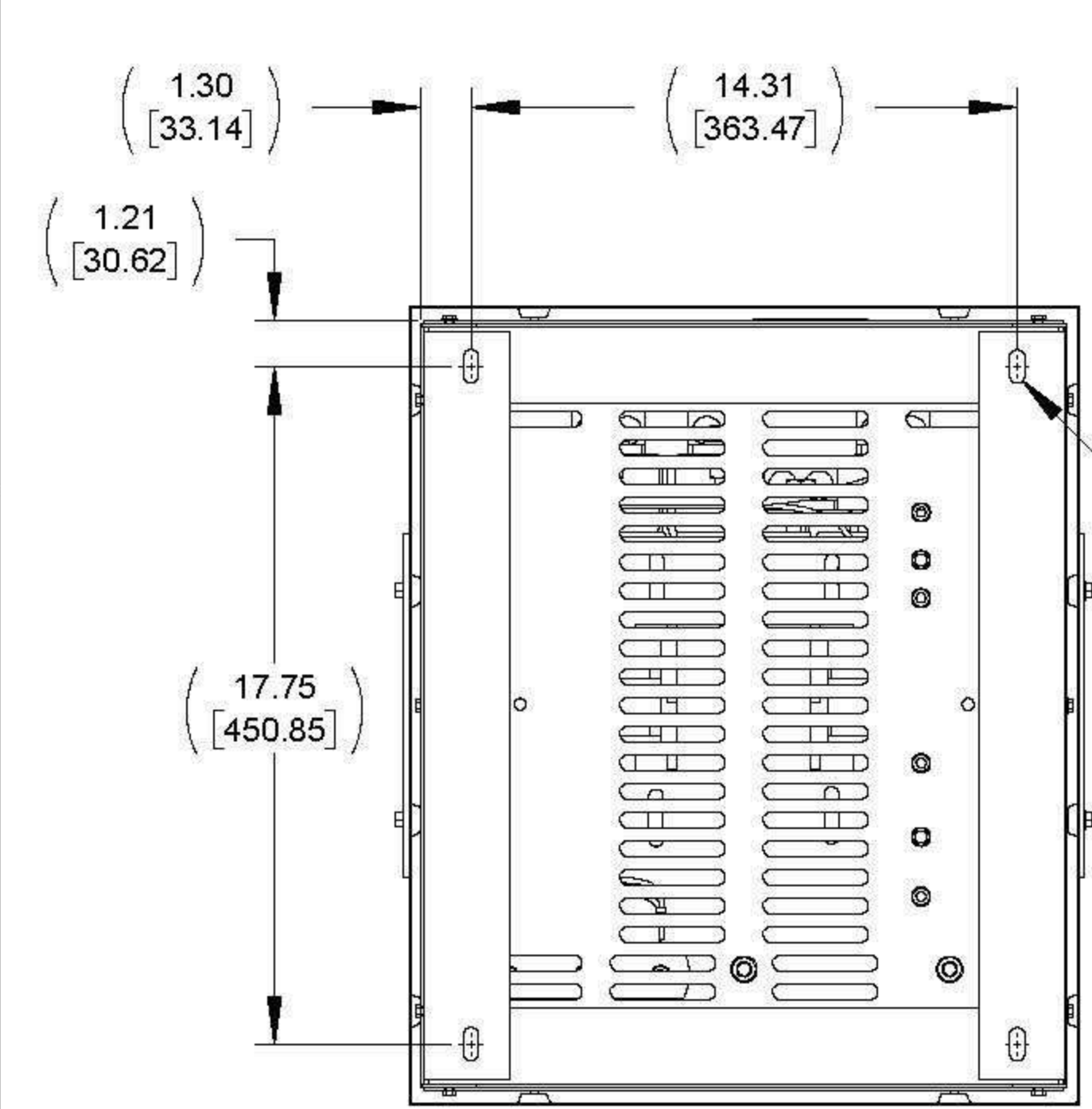
(FRONT VIEW)

**FIELD TERMINAL
DETAIL
(6 PLACES)
(U1, U2, V1, V2, W1, W2)**

SEE NOTE 4

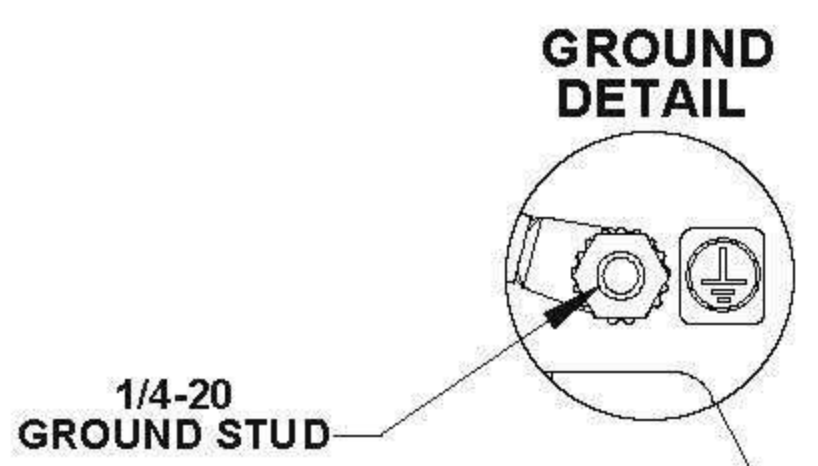


**CUSTOMER CONNECTION
DETAIL VIEW**



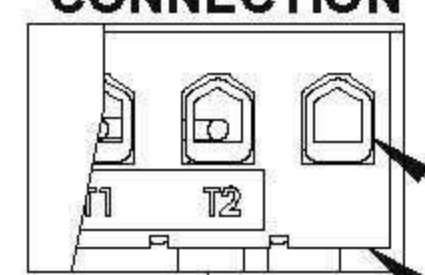
BOTTOM VIEW

4X Ø.41 [10.41]
X .88 [22.35] SLOT



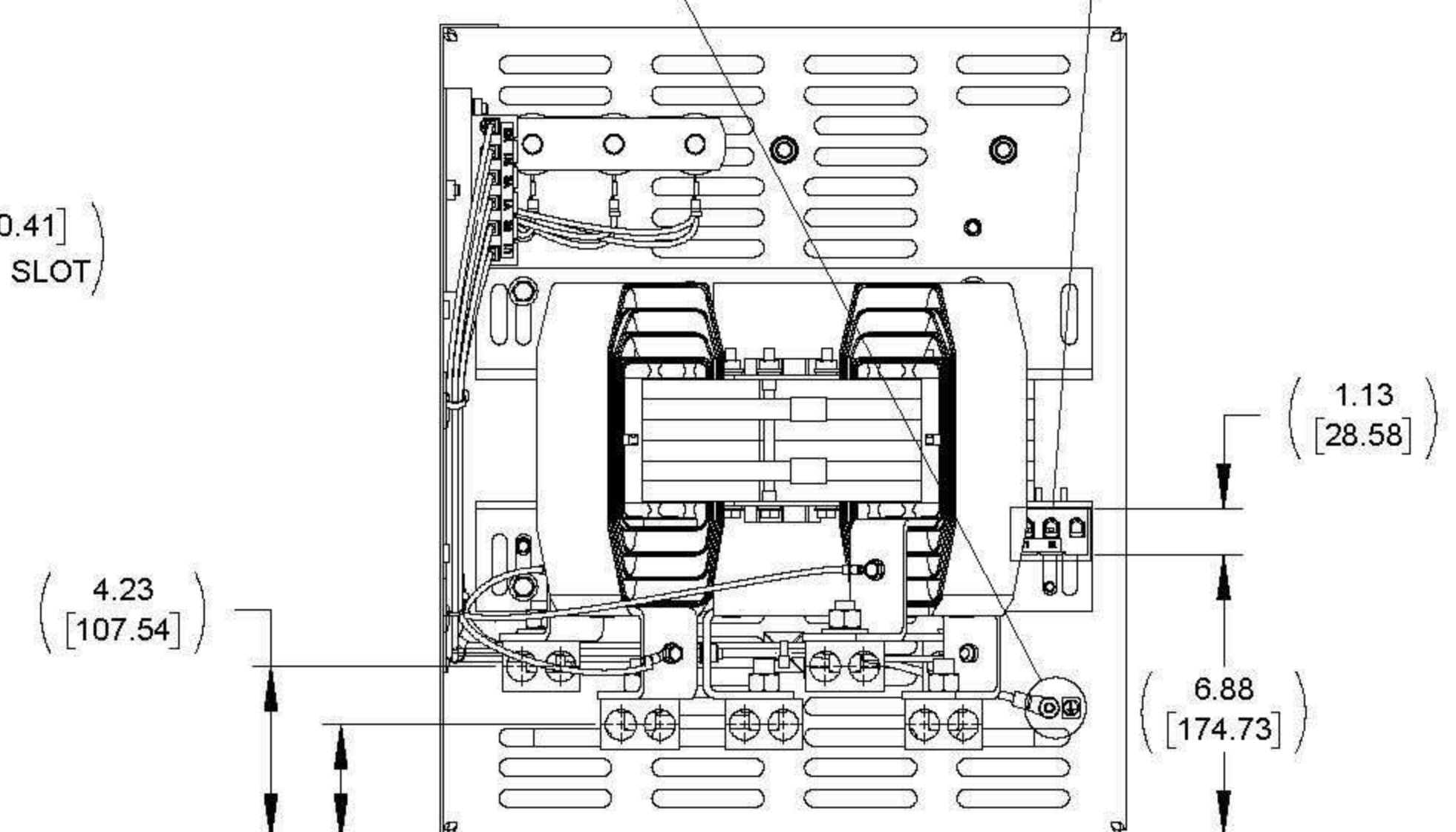
**GROUND
DETAIL**

**CUSTOMER THERMAL
CONNECTION**



SEE NOTE 1

SEE NOTE 2



**TOP VIEW
(PANELS REMOVED)**

2.80 [71.20]

NOTES:

1. WIRE RANGE: 4 - 18 AWG.
2. TERMINAL SCREW TIGHTENING TORQUE: 16 IN/LBS, MAX.
3. WIRE RANGE: 350 kcmil - 6 AWG.
4. TERMINAL SCREW TIGHTENING TORQUE: 500 IN/LBS, MAX.

| | | | |
|---|--|----------|--|
| THE COMPONENT, PART OR ASSEMBLY DESCRIBED IN THIS DOCUMENT MUST COMPLY WITH THE EU (EUROPEAN UNION) DIRECTIVE RoHS2 | | MATERIAL | |
| CONTAINS <0.1% OF ANY SVHC BY WEIGHT PER REACH REGULATION | | | |
| UNLESS OTHERWISE SPECIFIED DIMENSIONS ARE IN INCHES (MM) TOLERANCES ARE: | | DRAWN | |
| ANGLES: ± 1° | | MM | |
| 1 PLACE .X: ± .1 [2.5] | | DATE | |
| 2 PLACE .XX: ± .03 [0.76] | | 07/31/14 | |
| 3 PLACE .XXX: ± .010 [0.254] | | CHECKED | |
| | | RH | |
| | | DATE | |
| | | 03/18/15 | |
| | | APPROVED | |
| | | RH | |
| | | DATE | |
| | | 03/18/15 | |



N83 W1 3330 Leon Road
Menomonee Falls, WI 53051 USA
800.455.4693
262.253.8200

| | |
|---|--------------|
| DESCRIPTION | |
| DV SENTRY 250A 380-600V FILTER, NEMA 1/2 ENCL. | |
| SIZE | D |
| DWG No. | CD DVSG0250E |
| REV | 02 |
| SCALE | 1:4 |

| | | |
|--|--------------|--------------|
| CONFIDENTIAL AND PROPRIETARY INFORMATION THIS DOCUMENT CONTAINS CONFIDENTIAL AND PROPRIETARY INFORMATION OF MTE CORPORATION AND MAY NOT BE USED, COPIED OR DISCLOSED TO OTHERS EXCEPT WITH THE AUTHORIZED WRITTEN PERMISSION OF MTE CORPORATION | | |
| DESCRIPTION | | |
| DV SENTRY 250A 380-600V FILTER, NEMA 1/2 ENCL. | | |
| SIZE | D | REV |
| DWG No. | CD DVSG0250E | 02 |
| SCALE | 1:4 | SHEET 1 OF 1 |

