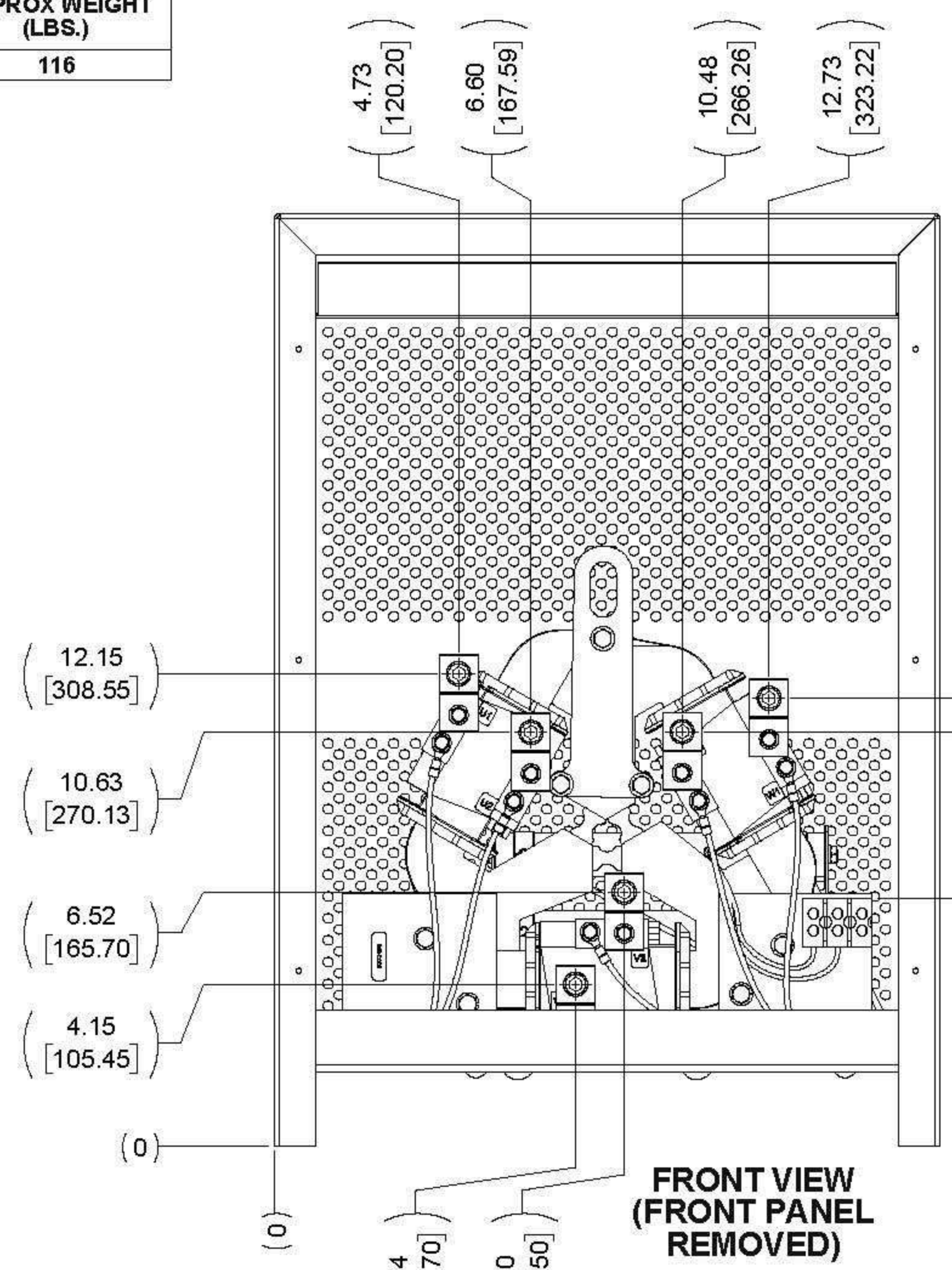
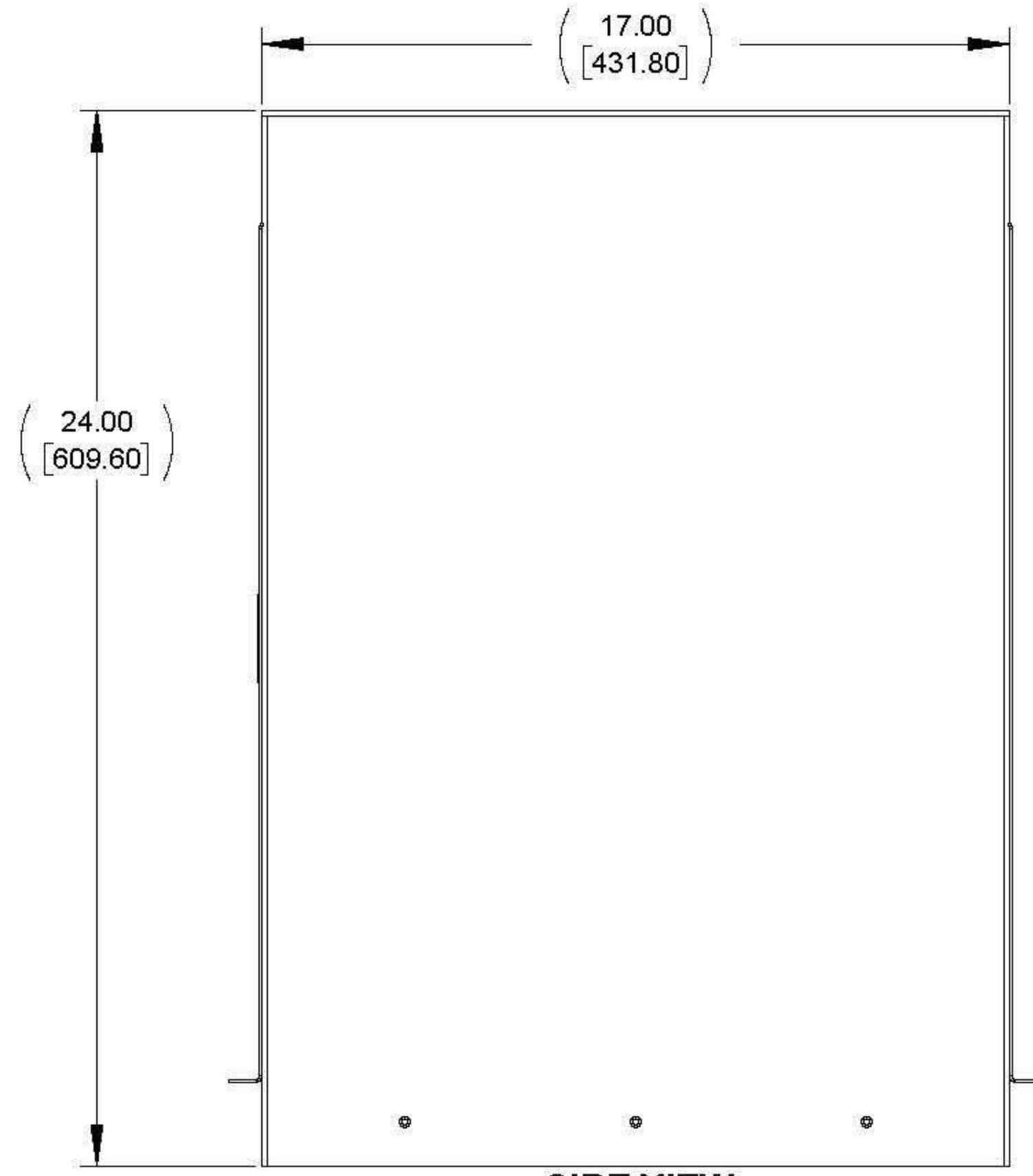


APPROX WEIGHT (LBS.)  
116

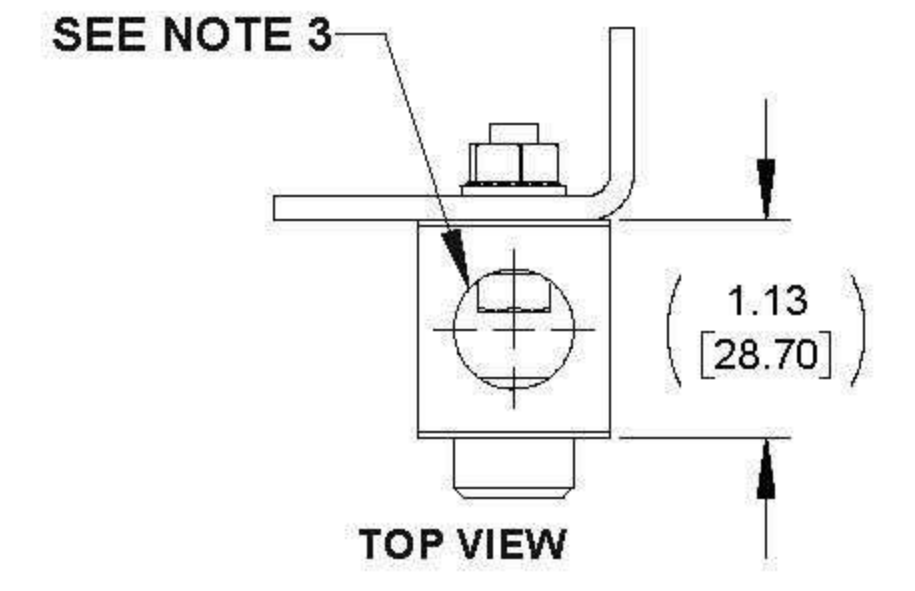
ECO No	DESCRIPTION	REVBY	DATE
M9346	LABEL GRAPHICS UPDATED	JT	10/21/14



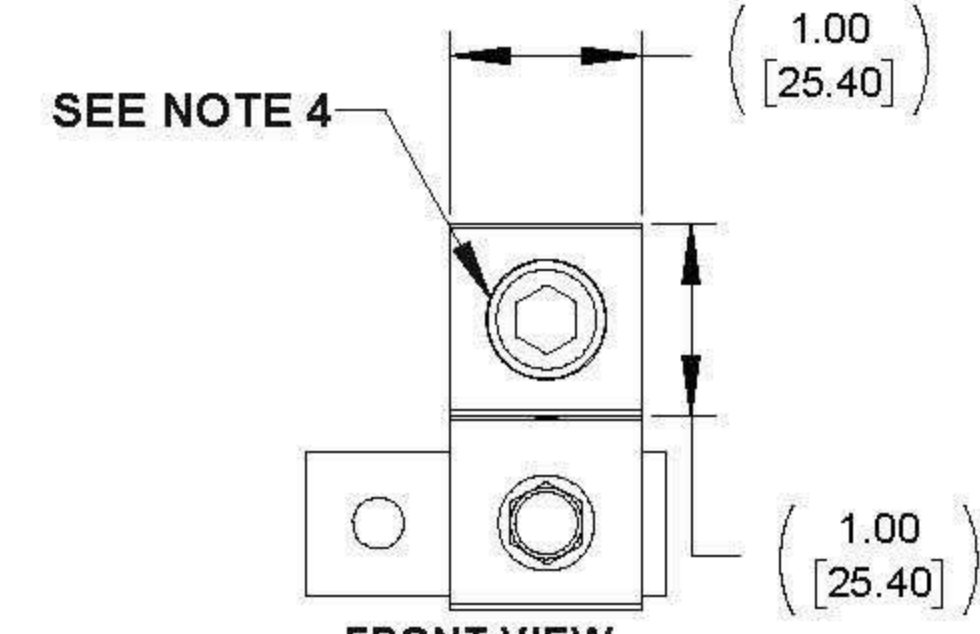
FRONT VIEW  
(FRONT PANEL REMOVED)



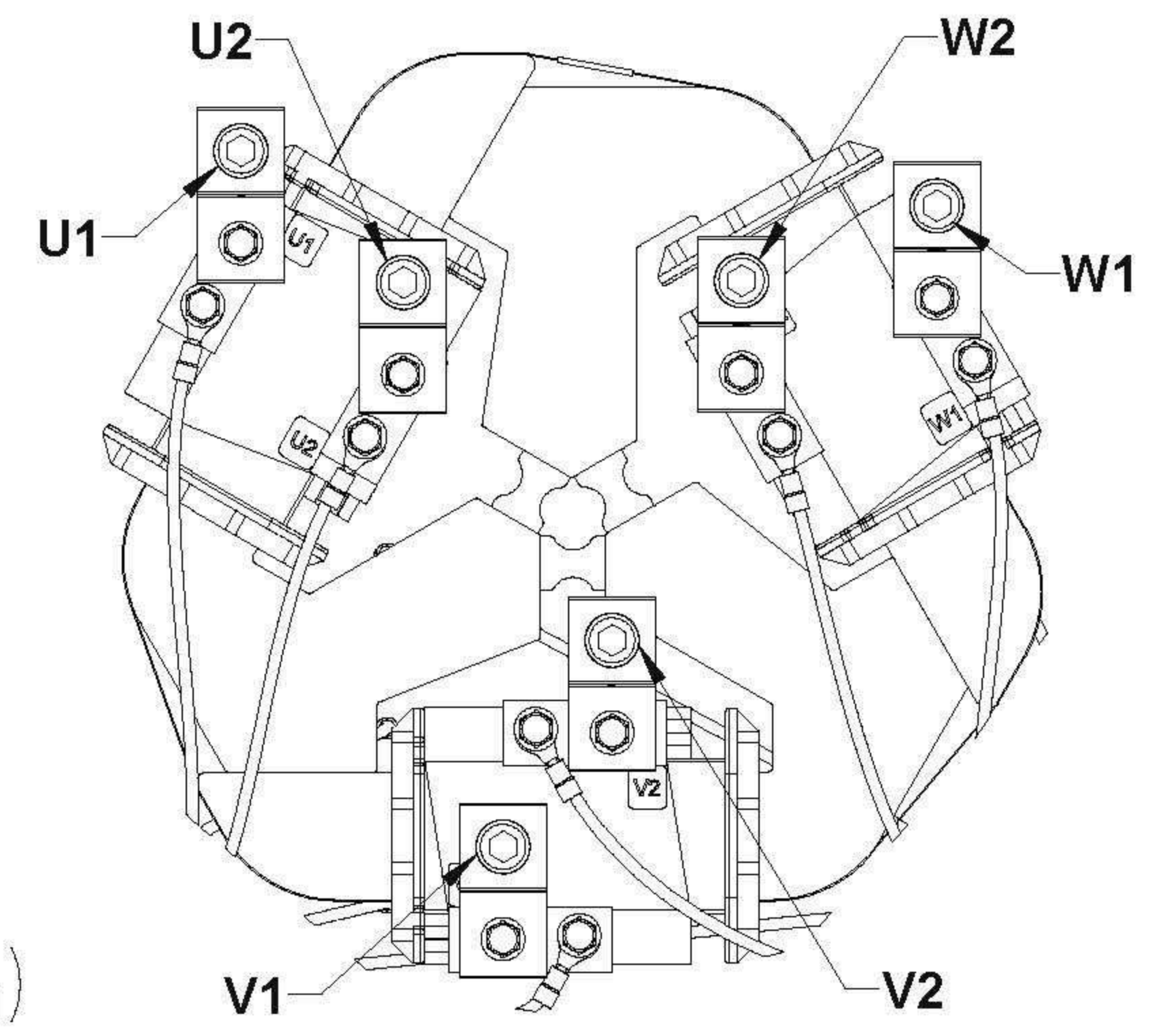
SIDE VIEW



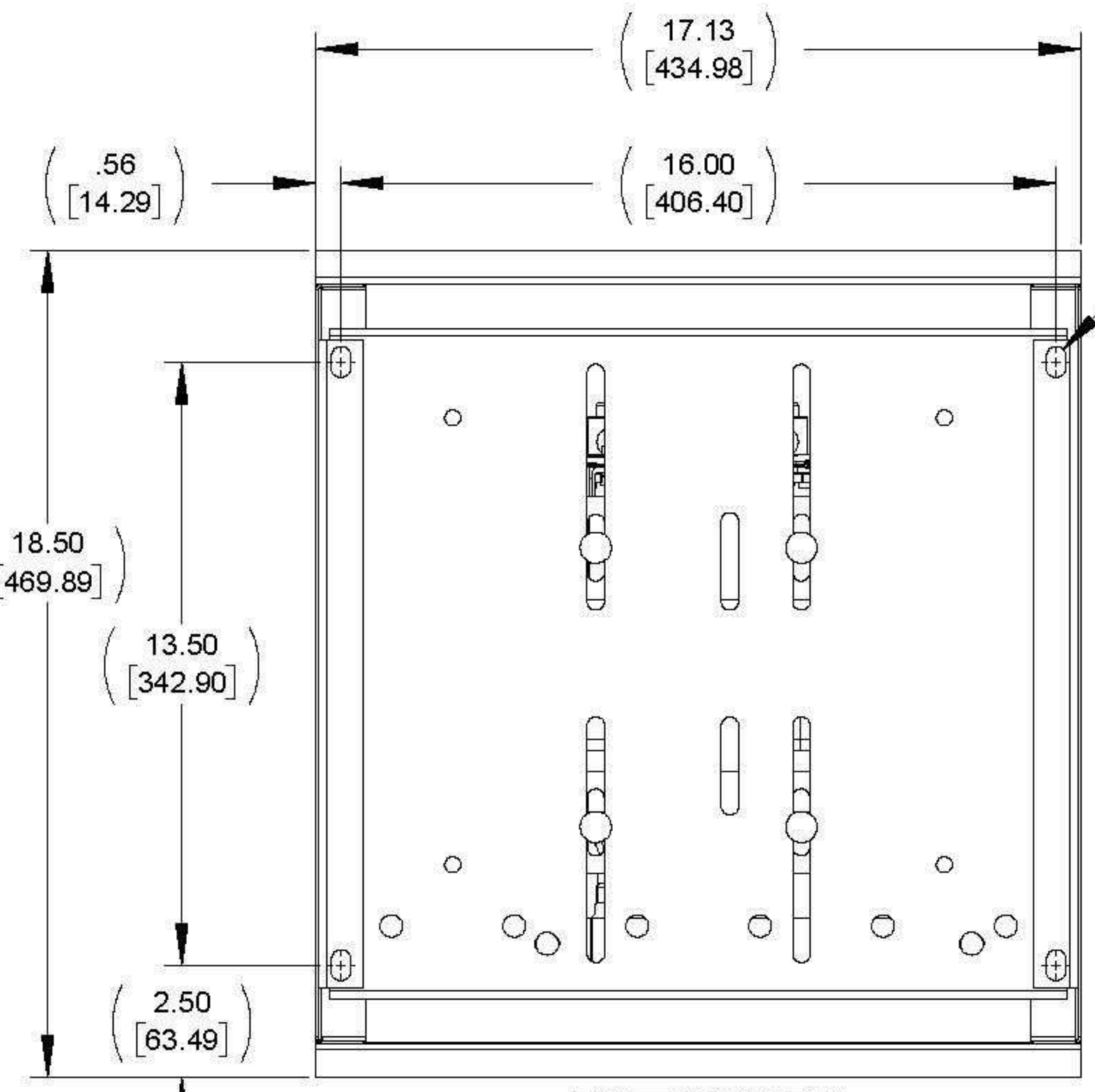
TOP VIEW



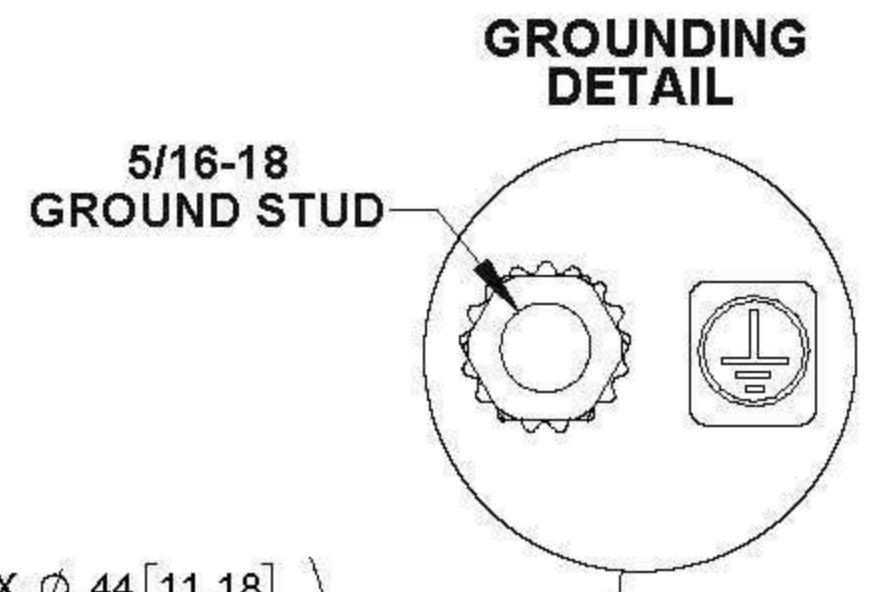
FRONT VIEW  
FIELD TERMINAL  
DETAIL  
(6 PLACES)  
(U1, U2, V1, V2, W1, W2)



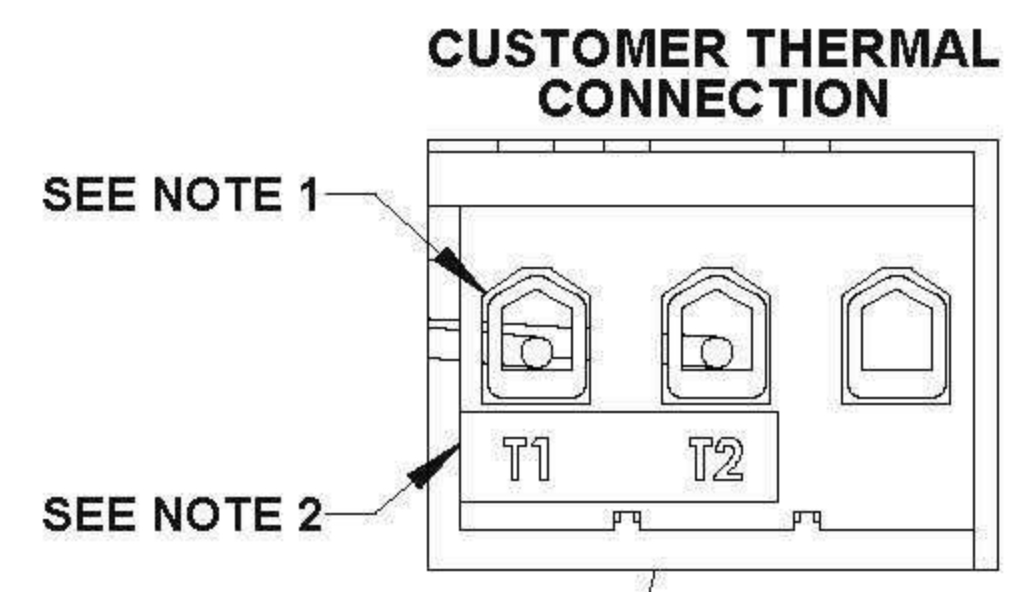
CUSTOMER CONNECTION  
DETAIL VIEW



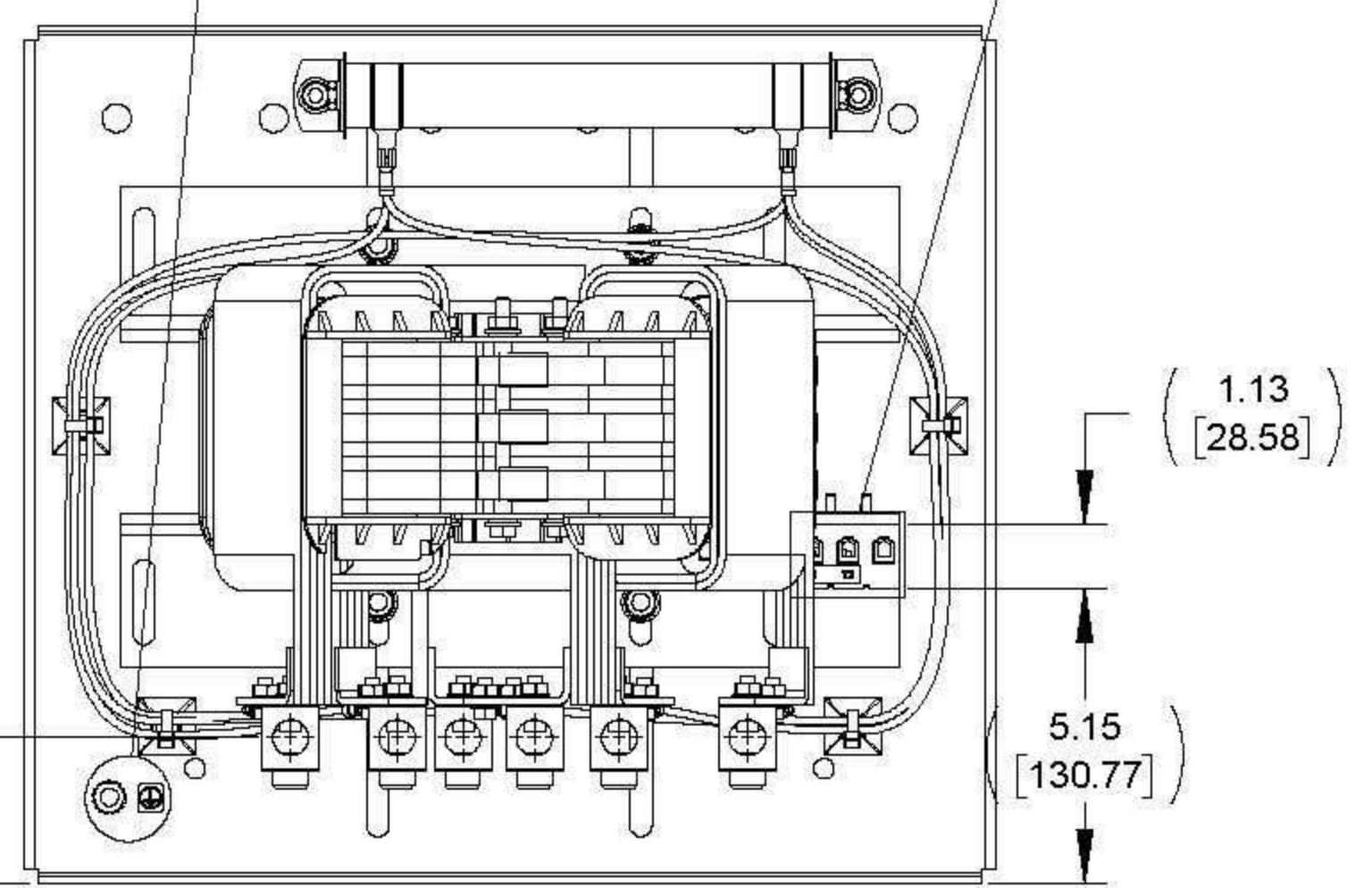
BOTTOM VIEW



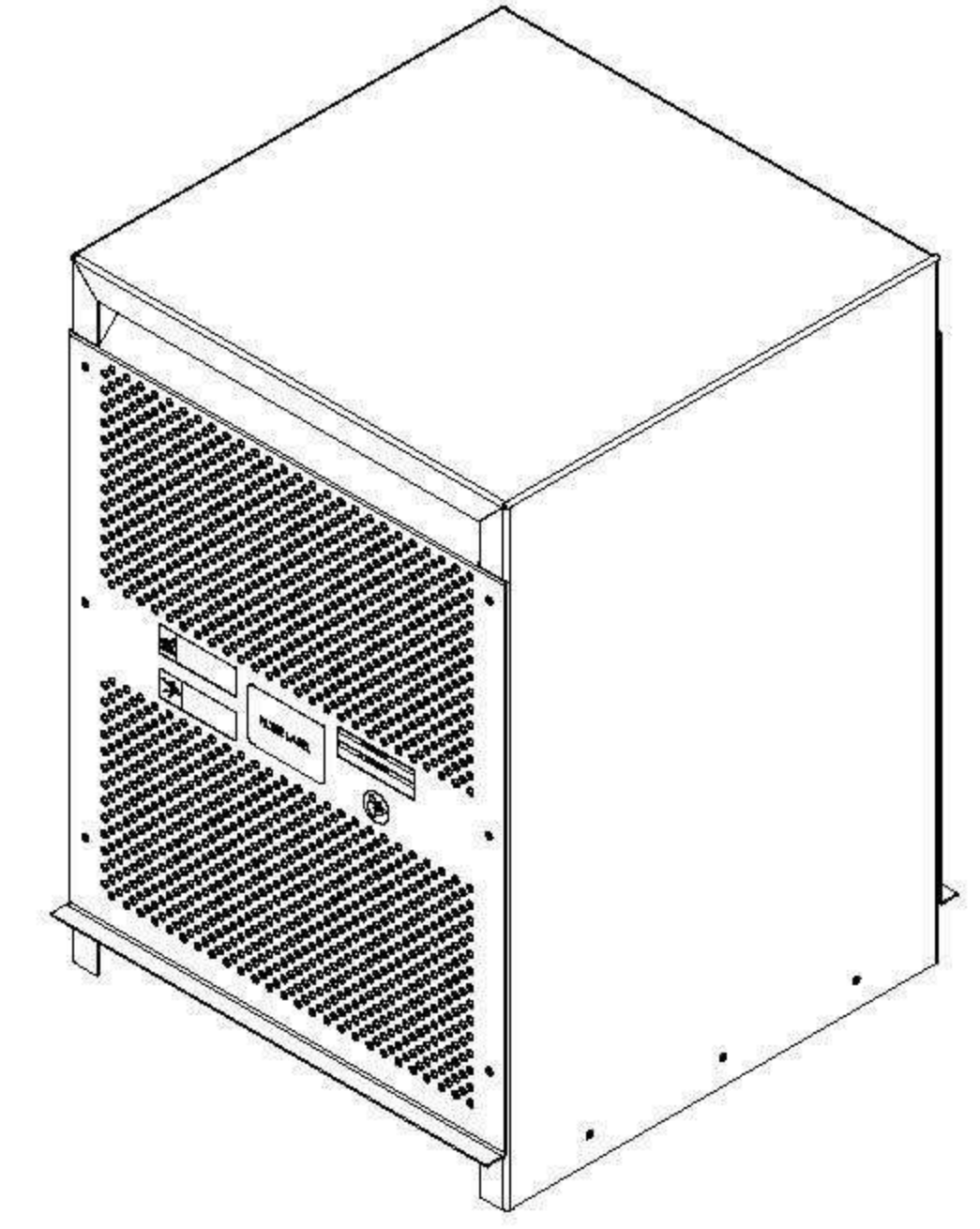
GROUNDING  
DETAIL



CUSTOMER THERMAL  
CONNECTION



TOP VIEW  
(PANELS REMOVED)



NOTES:

1. WIRE RANGE: 4 - 18 AWG
2. TERMINAL SCREW TIGHTENING TORQUE: 16 IN/LBS, MAX.
3. WIRE RANGE: 250 kcmil - 6 AWG
4. TERMINAL SCREW TIGHTENING TORQUE: 275 IN/LBS, MAX.

THE COMPONENT, PART OR ASSEMBLY DESCRIBED IN THIS DOCUMENT MUST COMPLY WITH THE EU (EUROPEAN UNION) DIRECTIVE RoHS2		MATERIAL		CONFIDENTIAL AND PROPRIETARY INFORMATION THIS DOCUMENT CONTAINS CONFIDENTIAL AND PROPRIETARY INFORMATION OF MTE CORPORATION AND MAY NOT BE USED, COPIED OR DISCLOSED TO OTHERS EXCEPT WITH THE AUTHORIZED WRITTEN PERMISSION OF MTE CORPORATION	
CONTAINS <0.1% OF ANY SVHC BY WEIGHT PER REACH REGULATION				DESCRIPTION	
UNLESS OTHERWISE SPECIFIED DIMENSIONS ARE IN INCHES (MM) TOLERANCES ARE:		DRAWN		DV SENTRY 200A 380-600V FILTER, NEMA 1/2 ENCL.	
ANGLES: ± 1°		DATE		SIZE	
1 PLACE .X: ± .1 [2.5]		07/24/14		D	
2 PLACE .XX: ± .03 [0.76]		CHECKED		DWG No.	
3 PLACE .XXX: ± .010 [0.254]		DATE		CD DVSG0200E	
		10/22/14		REV	
		APPROVED		01	
		DATE		SCALE	
		10/22/14		1:3	
		TM		SHEET 1 OF 1	



N83 W13330 Leon Road  
Menomonee Falls, WI 53051 USA  
800.455.4693  
262.253.8200