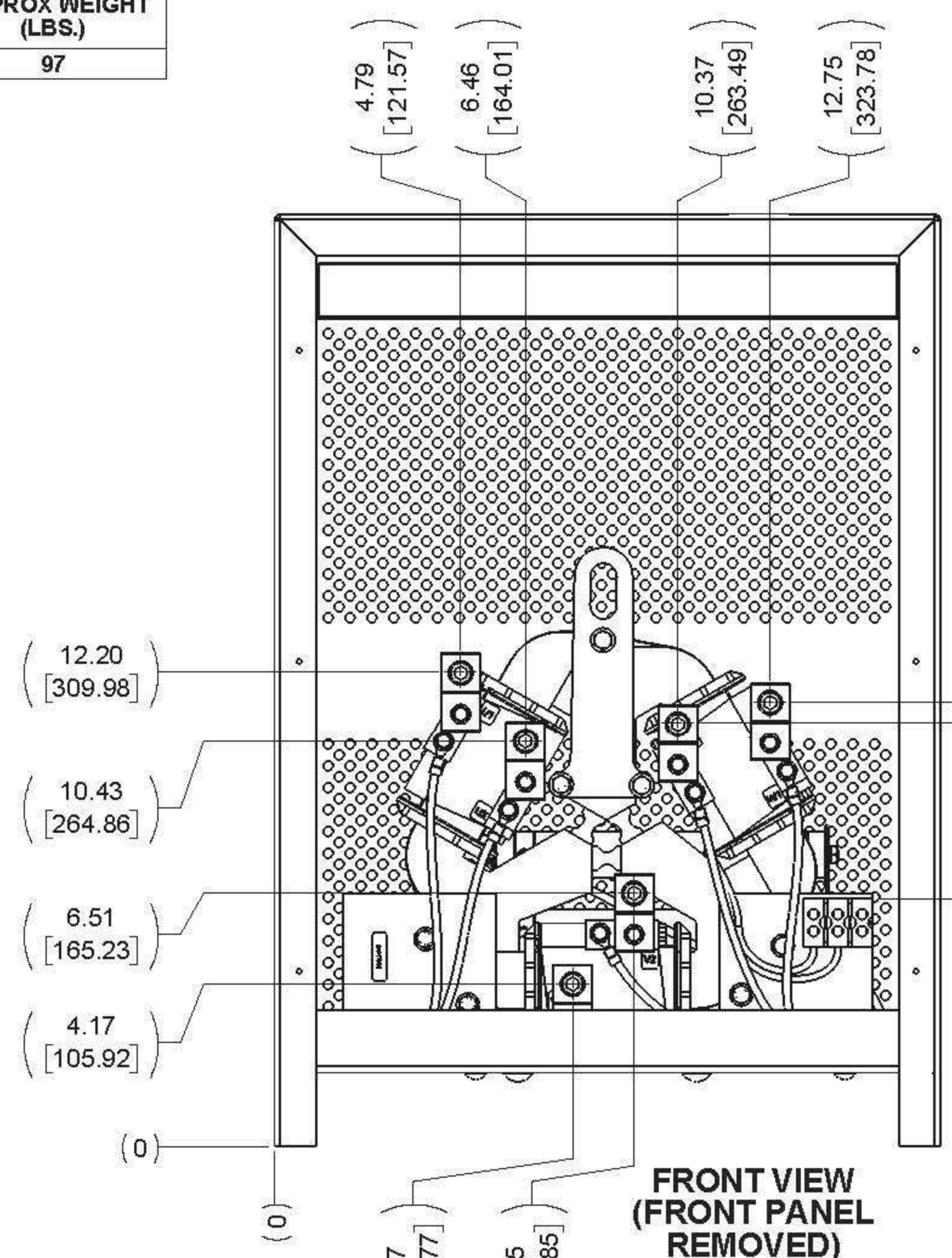
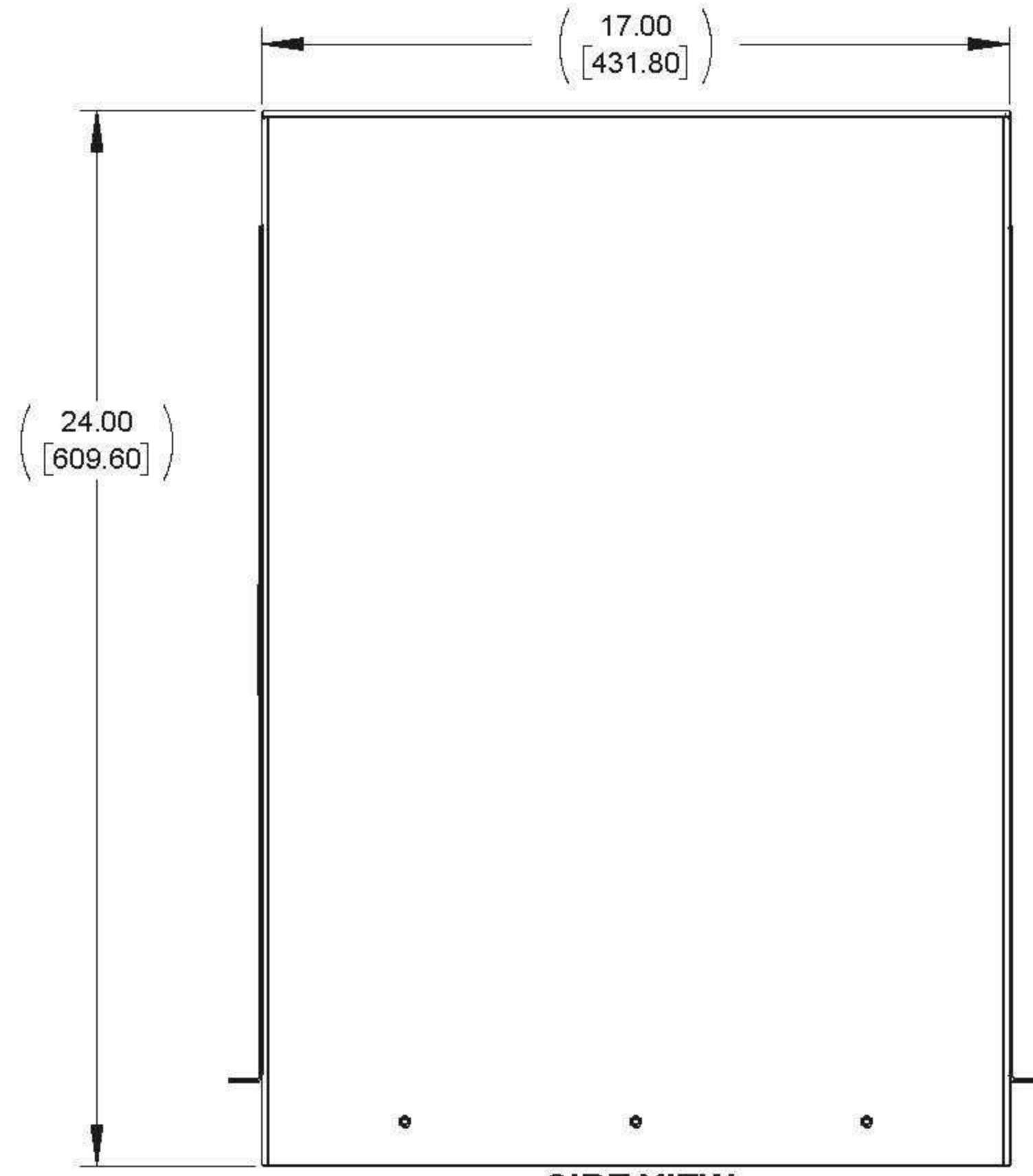


APPROX WEIGHT (LBS.)
97

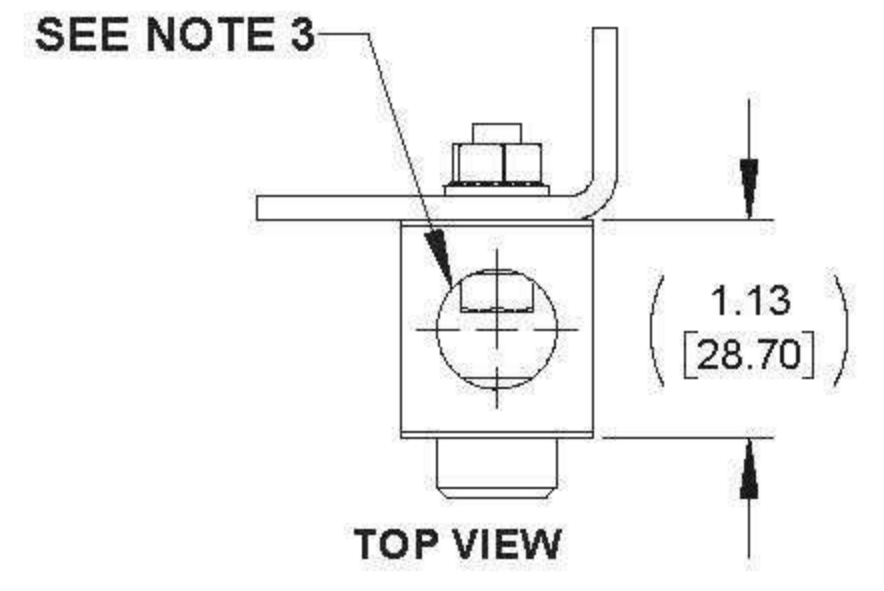
ECO No	DESCRIPTION	REVBY	DATE
M7346	LABEL GRAPHICS UPDATED	JT	10/21/14



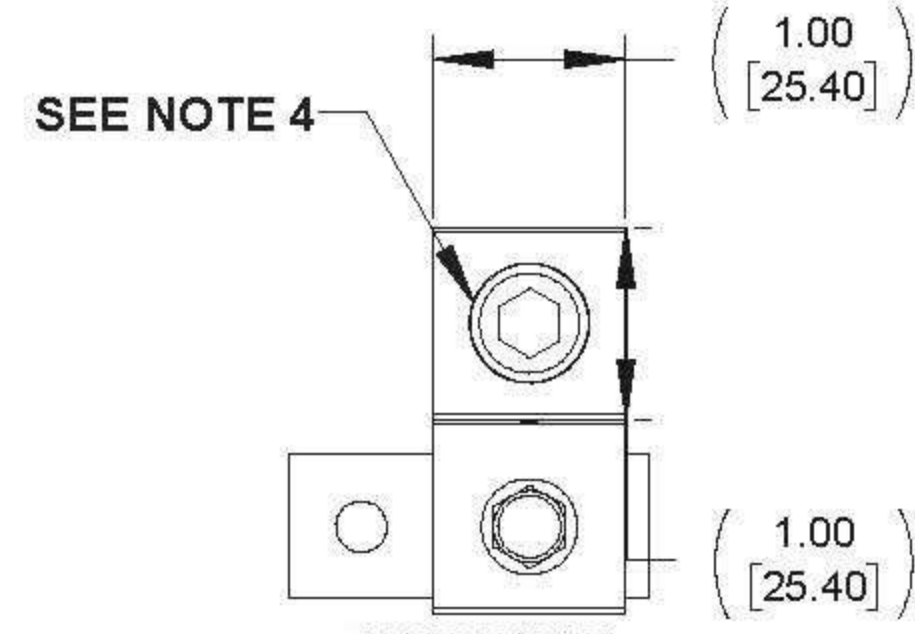
FRONT VIEW (FRONT PANEL REMOVED)



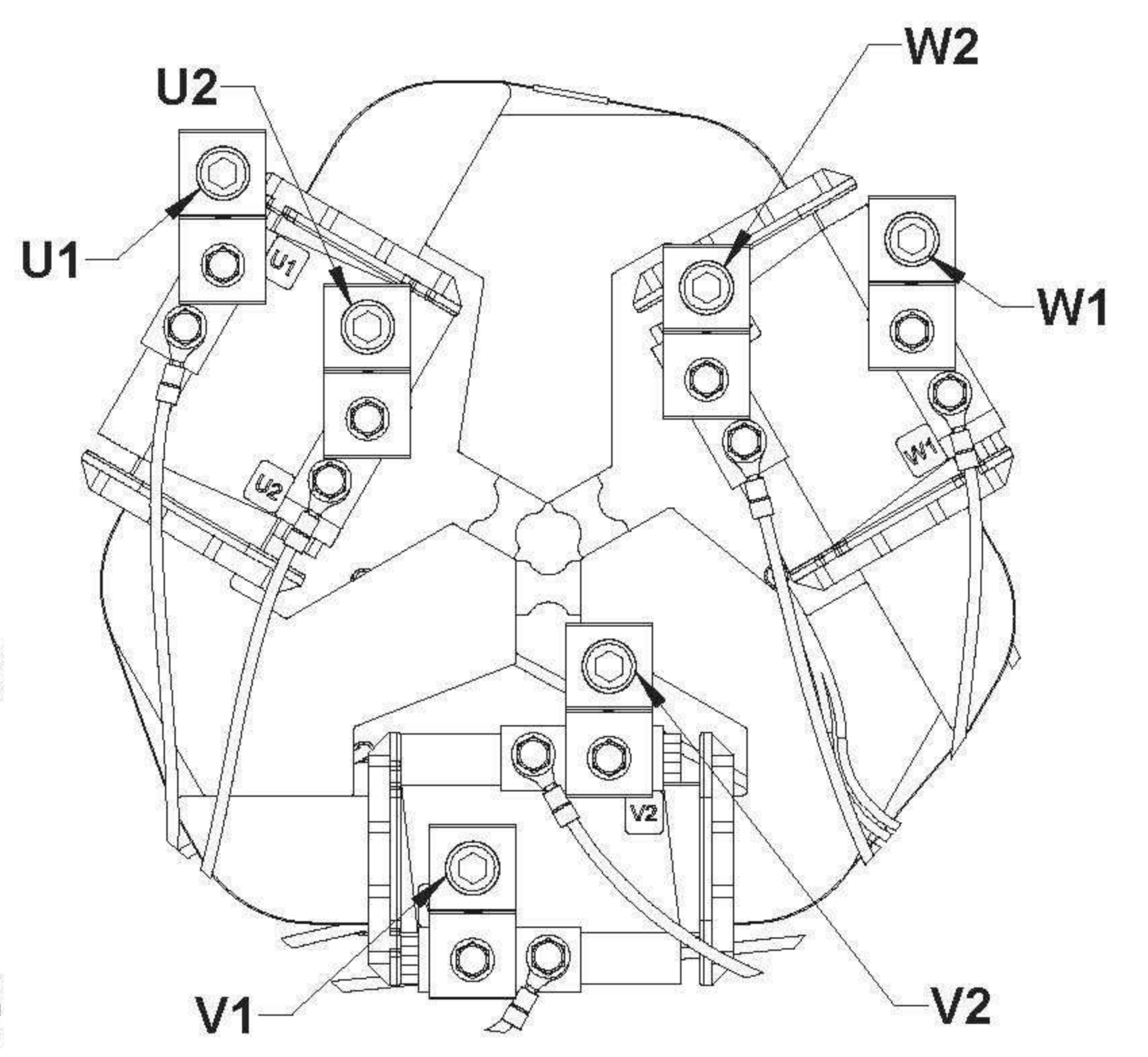
SIDE VIEW



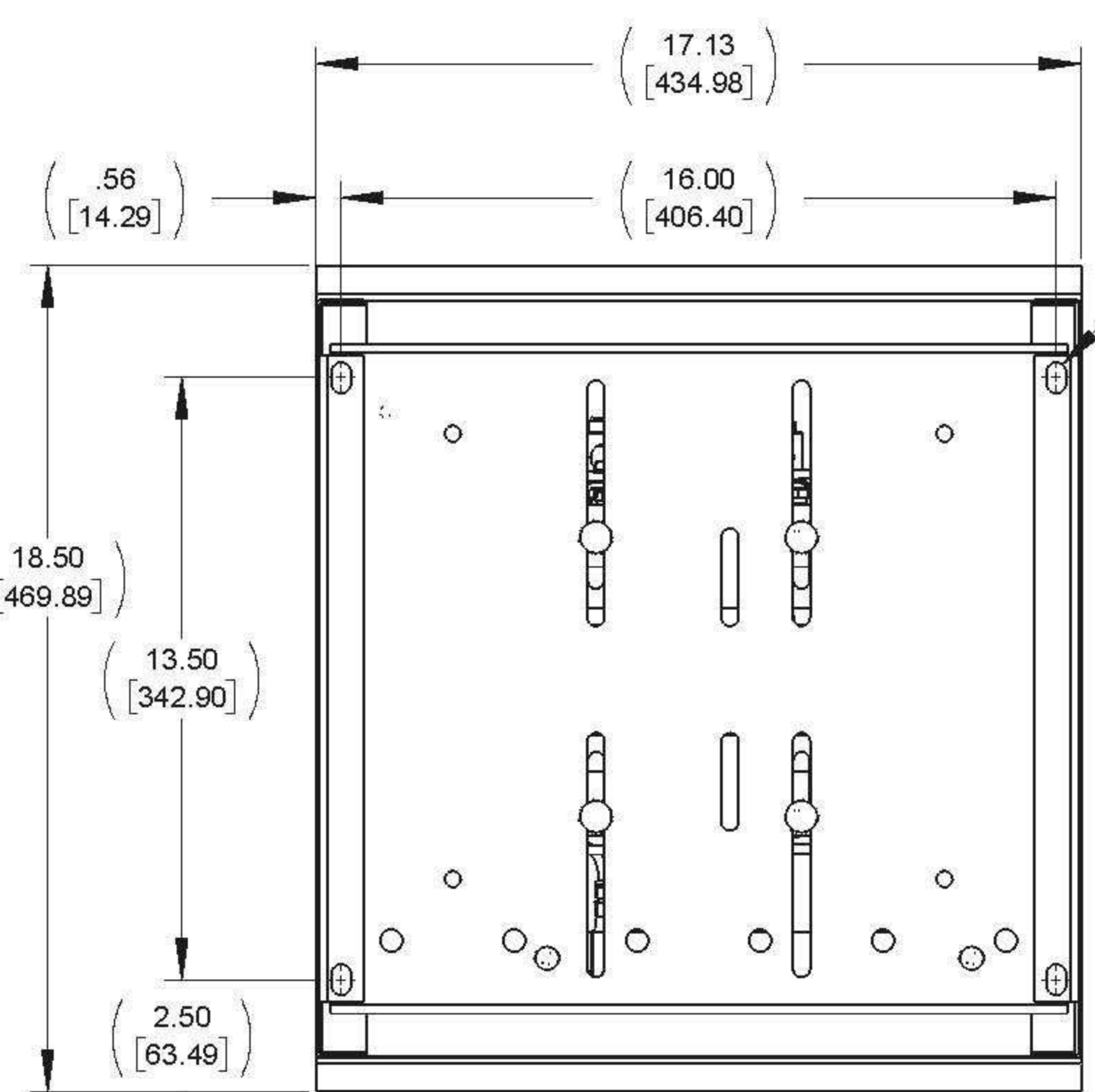
TOP VIEW



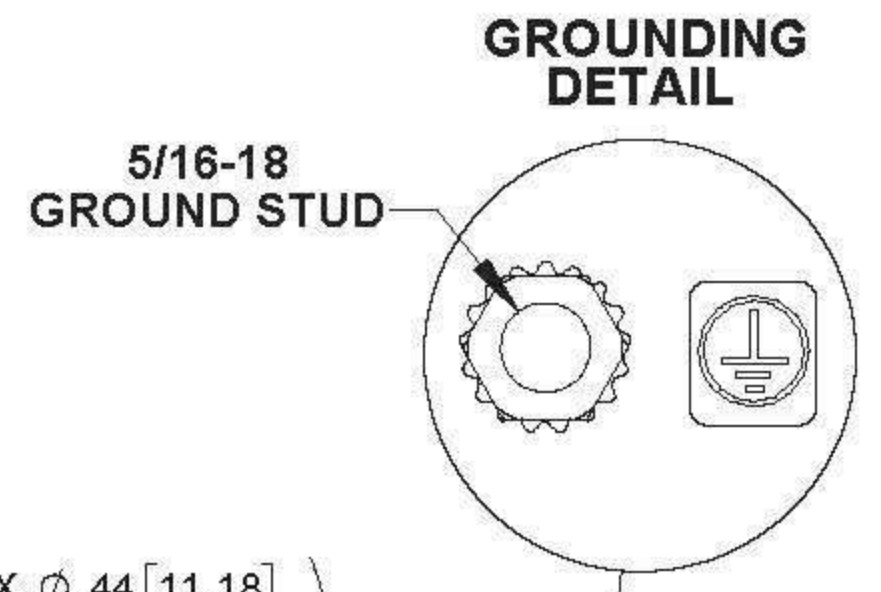
FRONT VIEW
FIELD TERMINAL DETAIL (6 PLACES) (U1, U2, V1, V2, W1, W2)



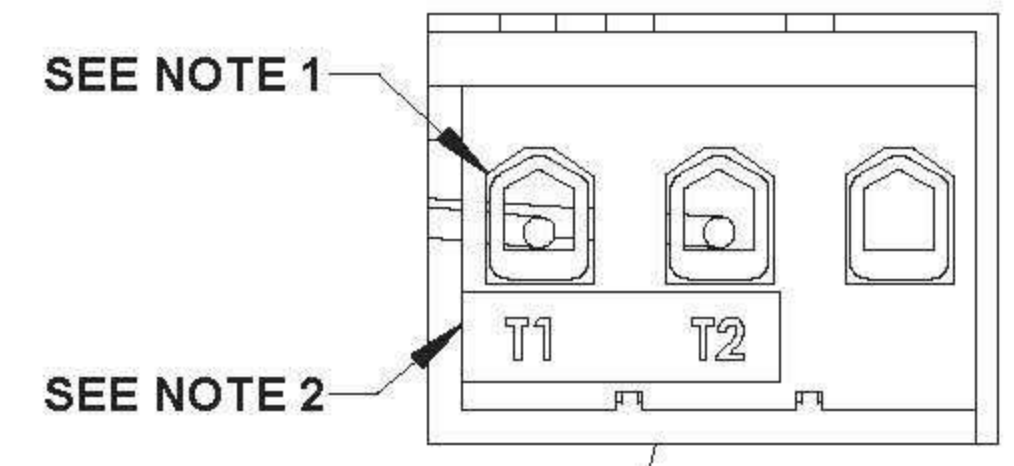
CUSTOMER CONNECTION DETAIL VIEW



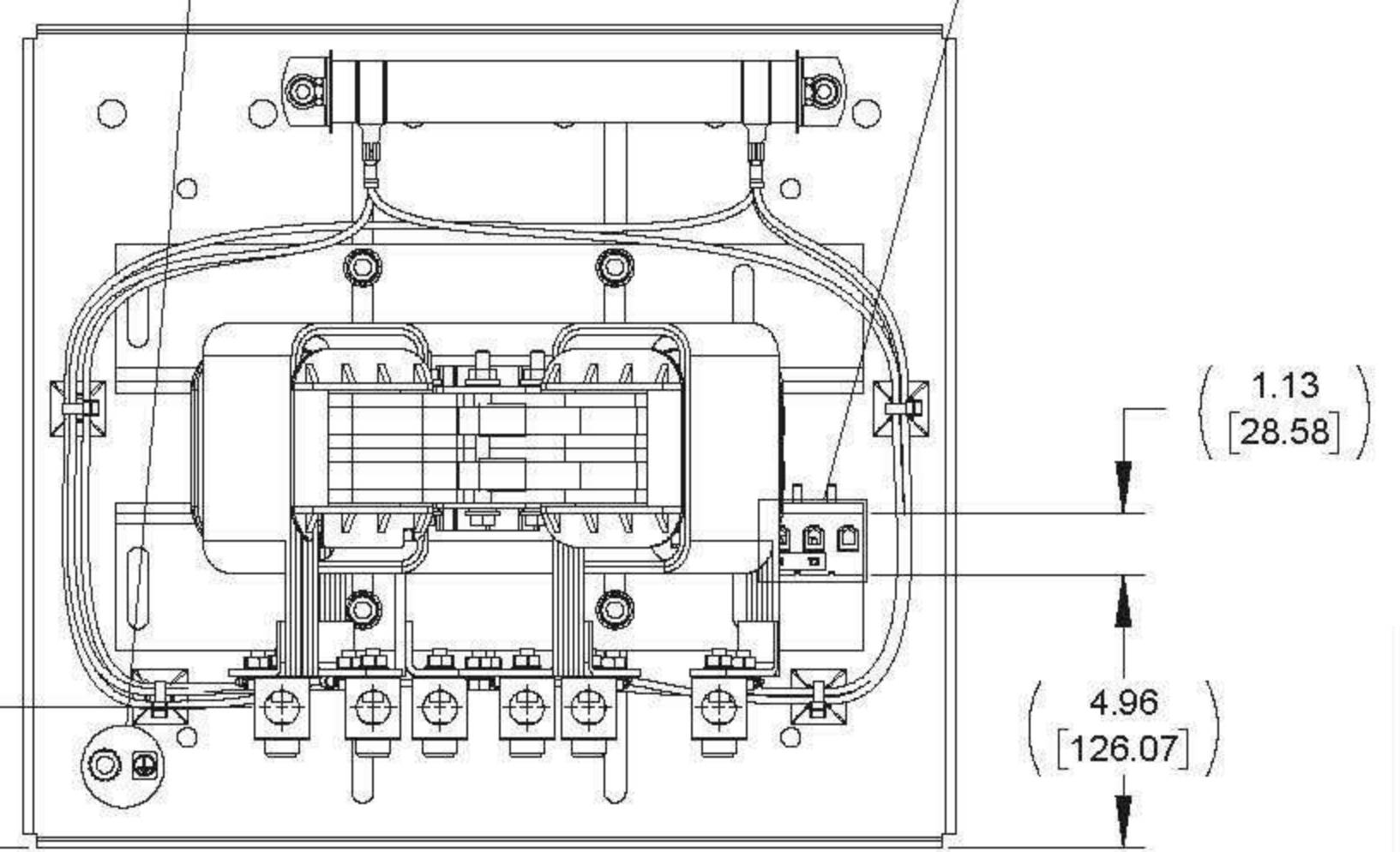
BOTTOM VIEW



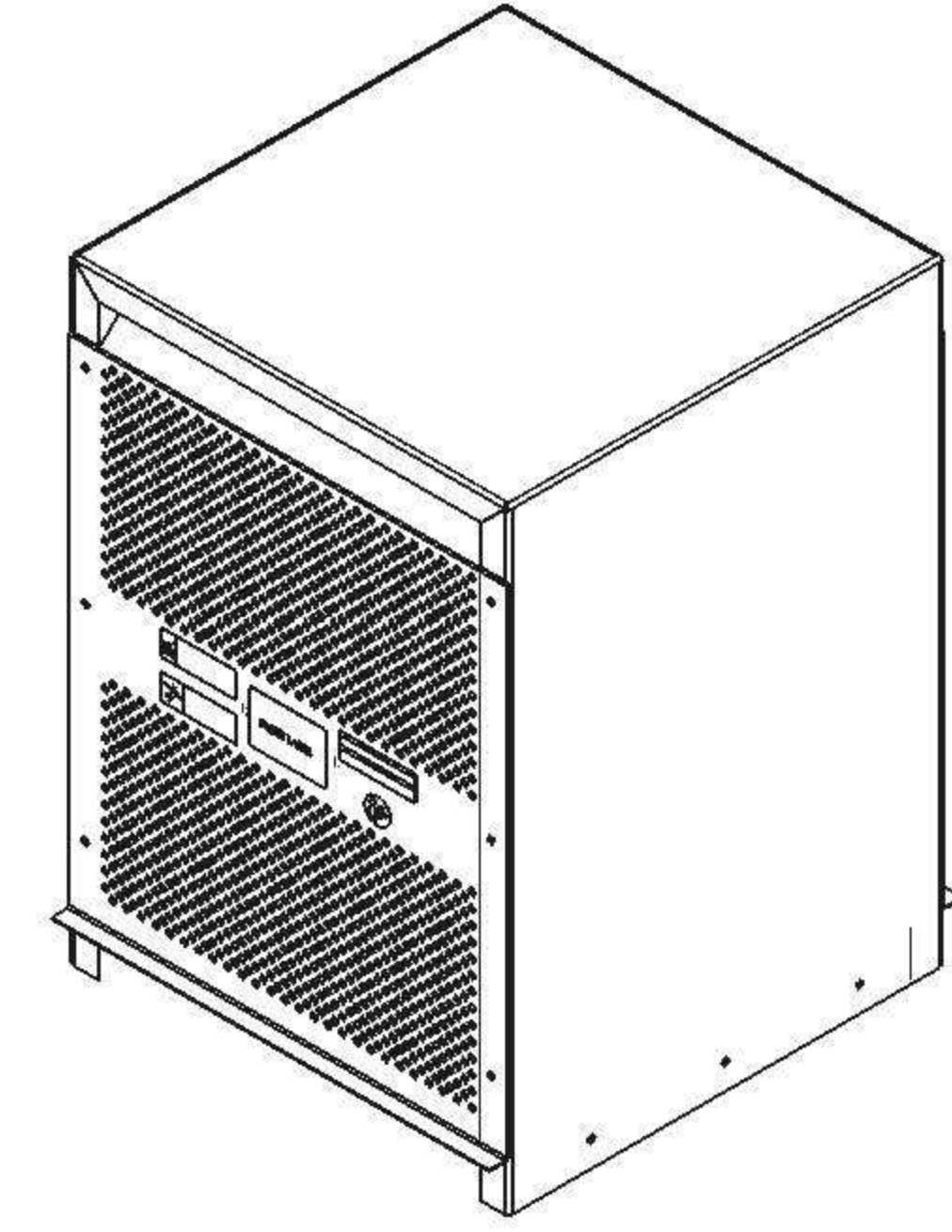
GROUNDING DETAIL



CUSTOMER THERMAL CONNECTION



TOP VIEW (PANELS REMOVED)



NOTES:

1. WIRE RANGE: 4 - 18 AWG
2. TERMINAL SCREW TIGHTENING TORQUE: 16 IN/LBS, MAX.
3. WIRE RANGE: 250 kcmil - 6 AWG
4. TERMINAL SCREW TIGHTENING TORQUE: 275 IN/LBS, MAX.

THE COMPONENT, PART OR ASSEMBLY DESCRIBED IN THIS DOCUMENT MUST COMPLY WITH THE EU (EUROPEAN UNION) DIRECTIVE RoHS2		MATERIAL		CONFIDENTIAL AND PROPRIETARY INFORMATION THIS DOCUMENT CONTAINS CONFIDENTIAL AND PROPRIETARY INFORMATION OF MTE CORPORATION AND MAY NOT BE USED, COPIED OR DISCLOSED TO OTHERS EXCEPT WITH THE AUTHORIZED WRITTEN PERMISSION OF MTE CORPORATION	
CONTAINS <0.1% OF ANY SVHC BY WEIGHT PER REACH REGULATION				DESCRIPTION	
UNLESS OTHERWISE SPECIFIED DIMENSIONS ARE IN INCHES (MM) TOLERANCES ARE:				DV SENTRY 130A 380-600V FILTER, NEMA 1/2 ENCL.	
ANGLES: ± 1°		DRAWN		SIZE	
1 PLACE .X: ± .1 [2.5]		MM		D	
2 PLACE .XX: ± .03 [0.76]		DATE		DWG No.	
3 PLACE .XXX: ± .010 [0.254]		07/24/14		CD DVSG0130E	
		CHECKED		REV	
		TM		01	
		DATE		SCALE	
		10/22/14		1:3	
		APPROVED		SHEET 1 OF 1	
		TM			



N83 W13330 Leon Road
Menomonee Falls, WI 53051 USA
800.455.4693
262.253.8200