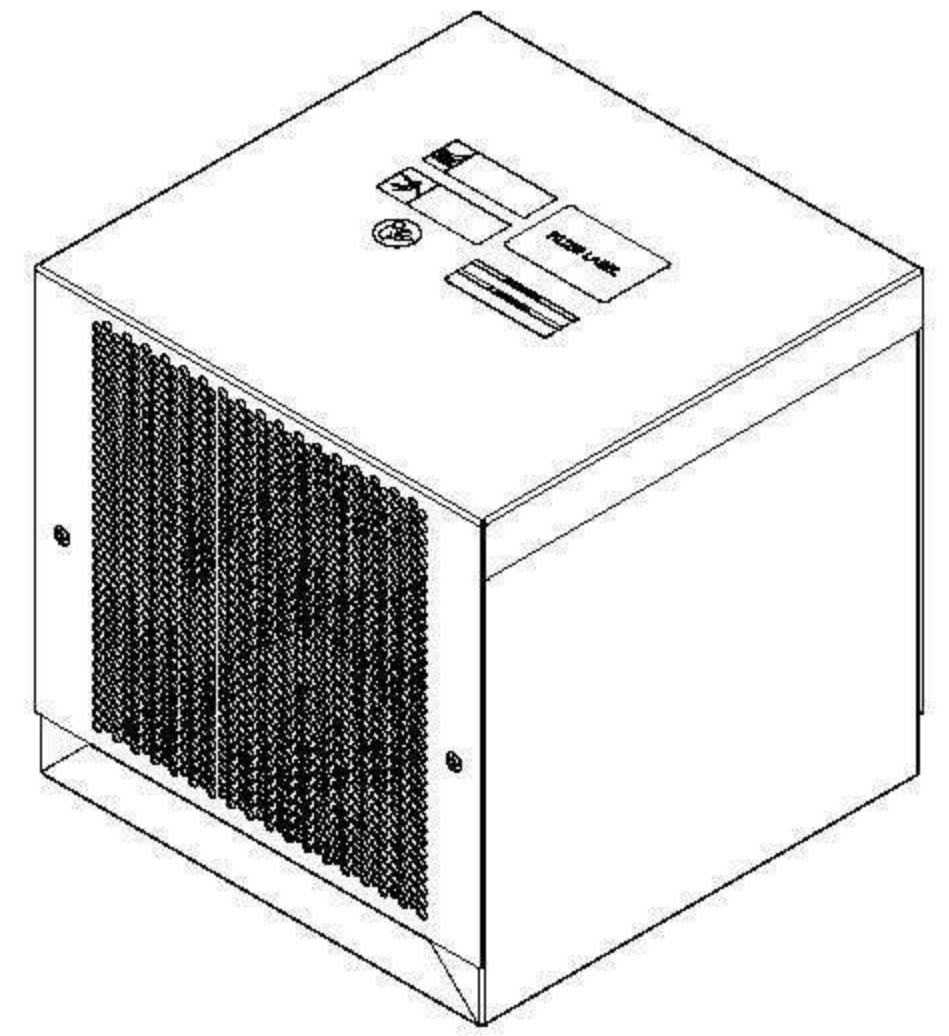
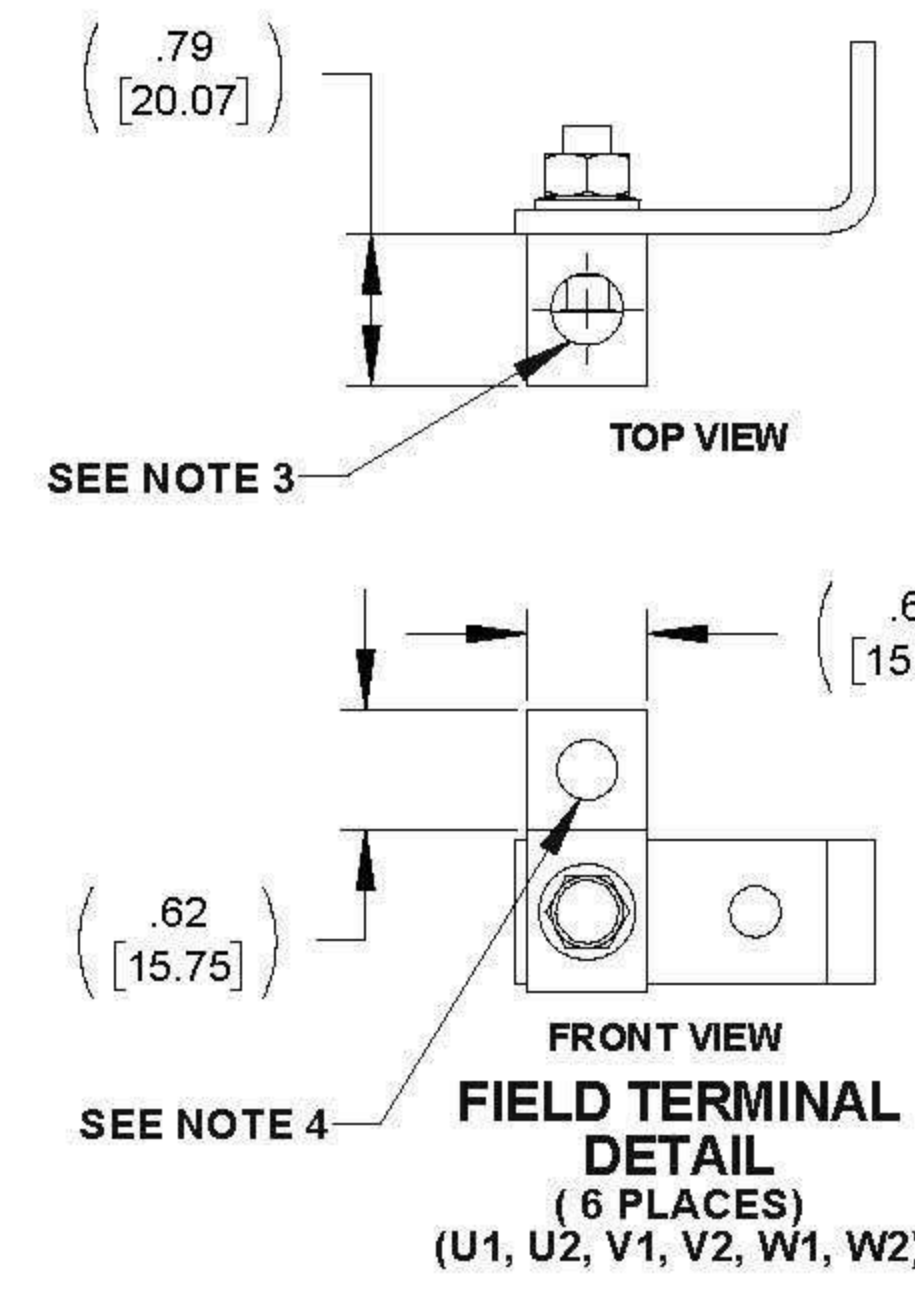
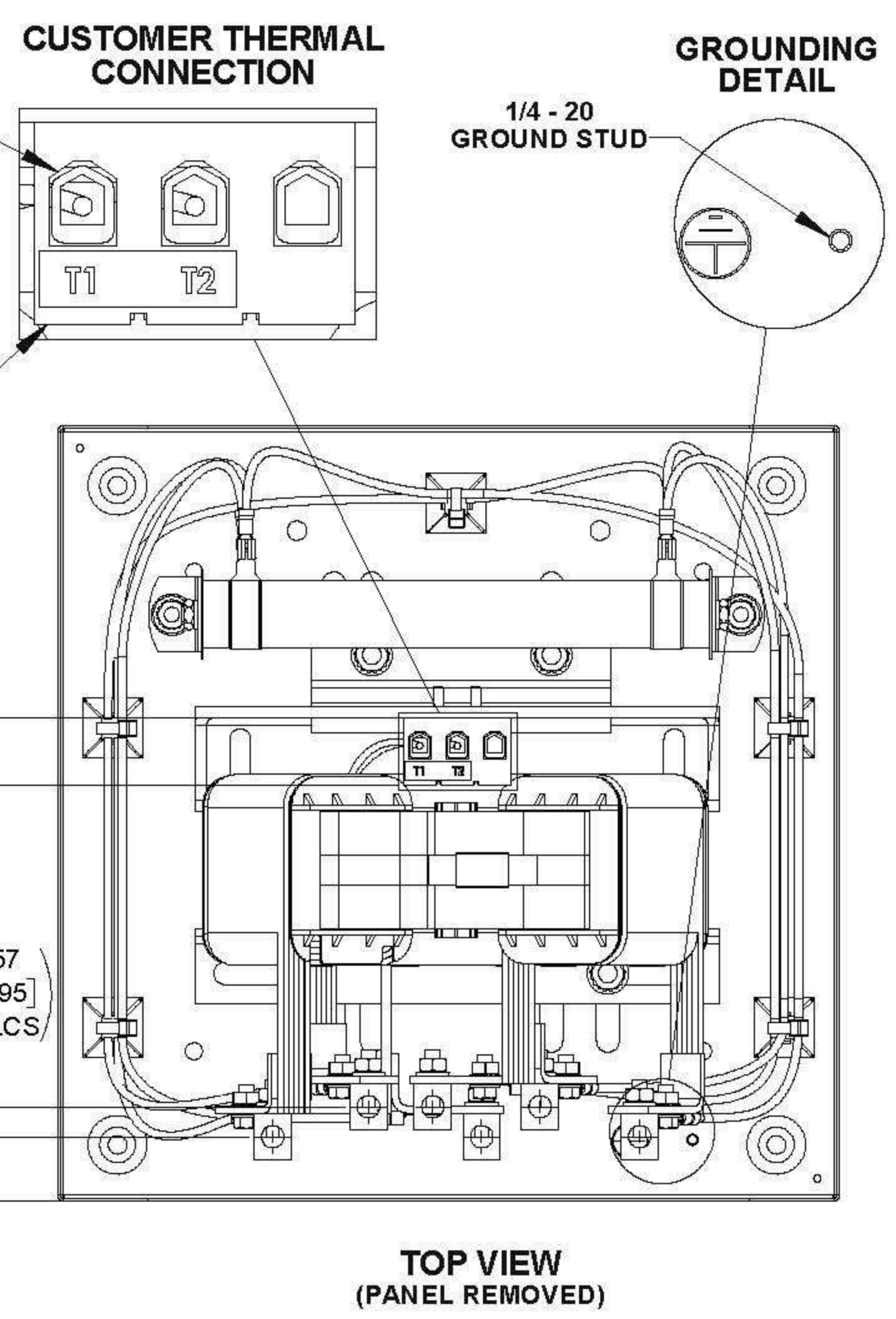
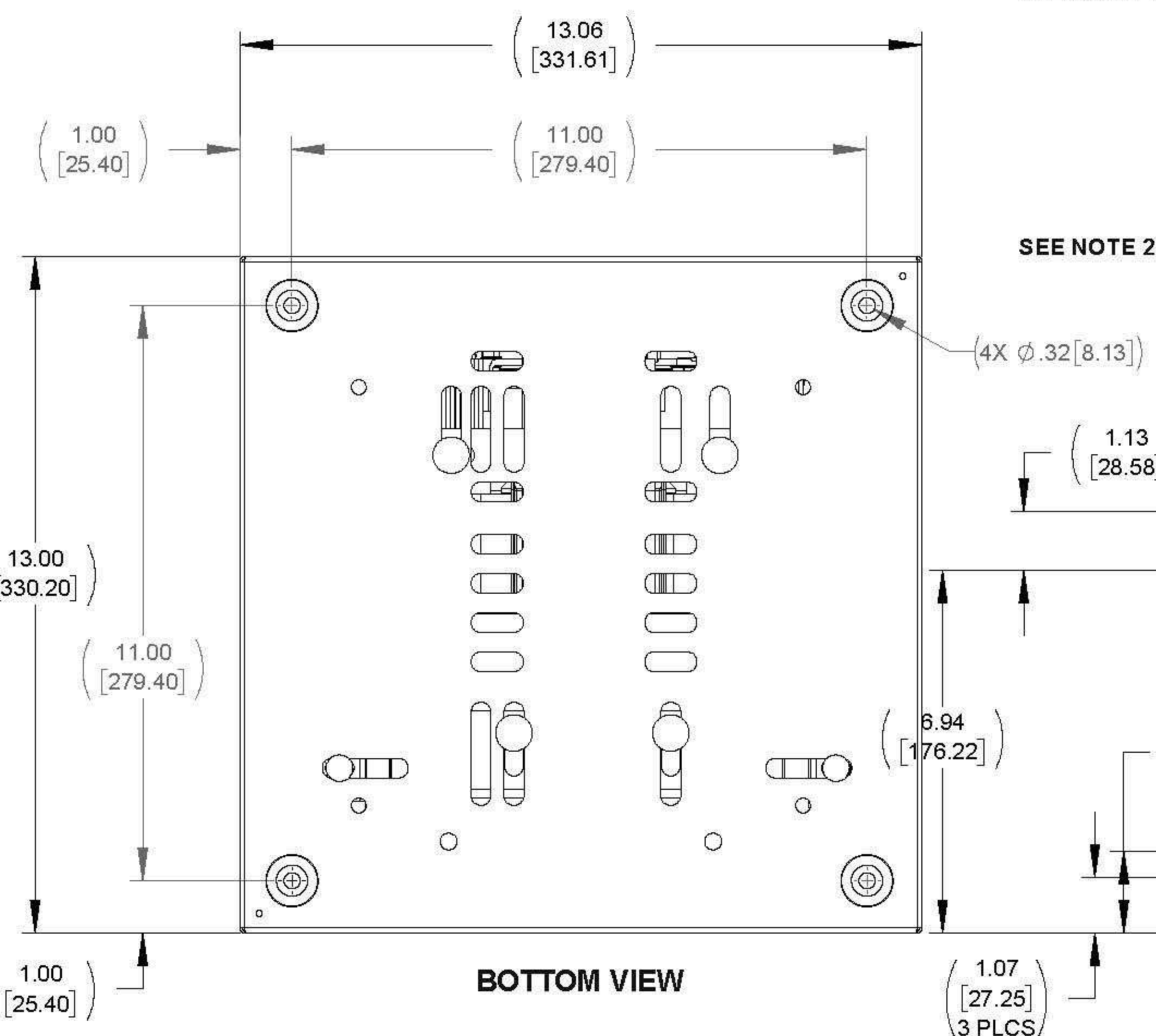
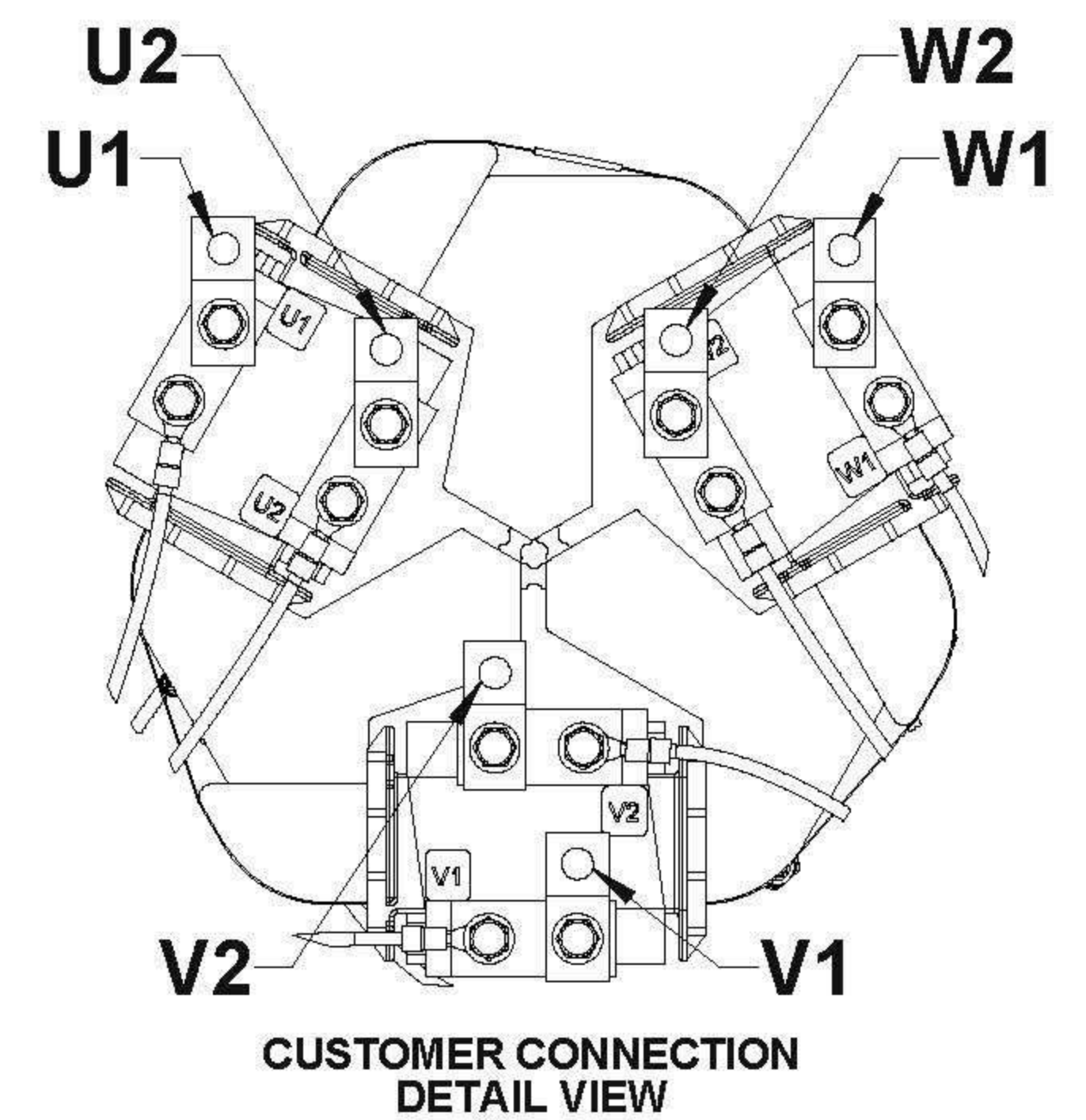
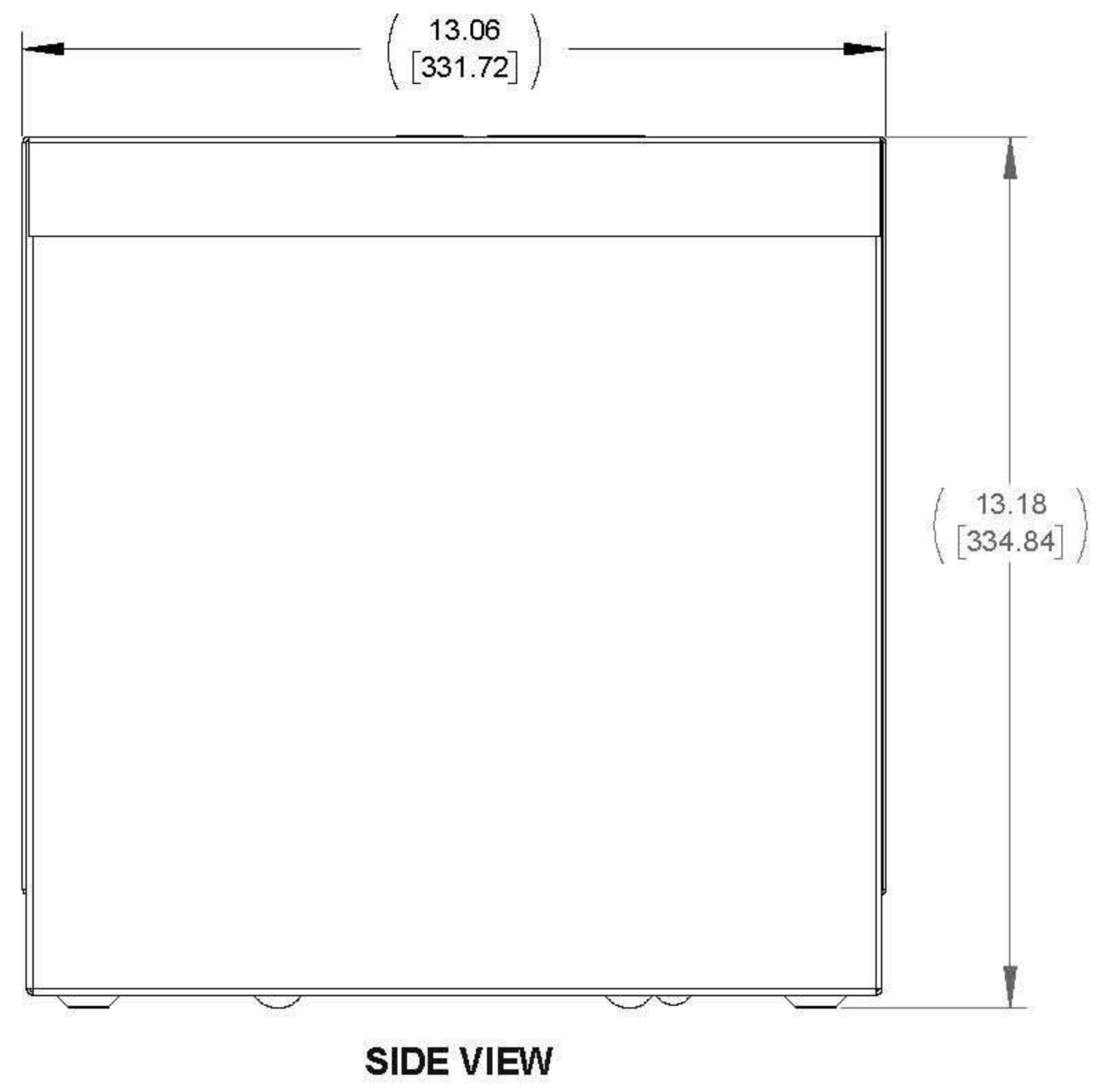
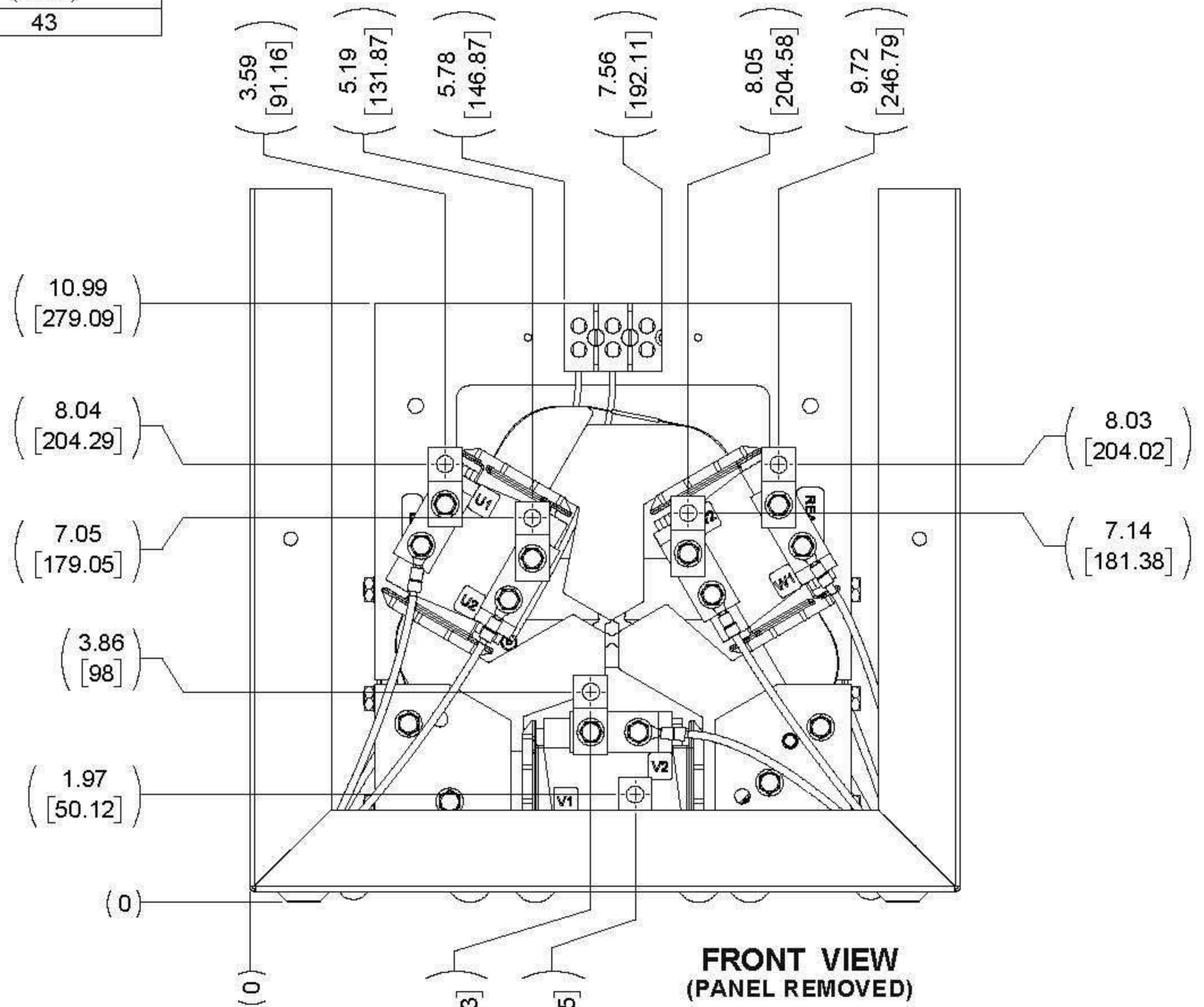


APPROX. WEIGHT (LBS.)  
43

ECO No	DESCRIPTION	REVBY	DATE
M10014	ADDED MOUNTING BRACKET TO REACTOR	MN	11/29/16



- NOTES:**
1. WIRE RANGE: 4 - 18 AWG.
  2. TERMINAL SCREW TIGHTENING TORQUE: 16 IN/LBS
  3. WIRE RANGE: 1/0 - 14 AWG.
  4. TERMINAL SCREW TIGHTENING TORQUE: (1/0-3AWG) 50 IN/LBS, (4-6AWG) 45 IN/LBS, (8AWG) 40 IN/LBS, (10-14AWG) 35 IN/LBS

<p>THE COMPONENT, PART OR ASSEMBLY DESCRIBED IN THIS DOCUMENT MUST COMPLY WITH THE EU (EUROPEAN UNION) DIRECTIVE RoHS2</p> <p>CONTAINS &lt;0.1% OF ANY SVHC BY WEIGHT PER REACH REGULATION</p>		<p>MATERIAL</p>		<p>CONFIDENTIAL AND PROPRIETARY INFORMATION THIS DOCUMENT CONTAINS CONFIDENTIAL AND PROPRIETARY INFORMATION OF MTE CORPORATION AND MAY NOT BE USED, COPIED OR DISCLOSED TO OTHERS EXCEPT WITH THE AUTHORIZED WRITTEN PERMISSION OF MTE CORPORATION</p>	
<p>UNLESS OTHERWISE SPECIFIED DIMENSIONS ARE IN INCHES (MM) TOLERANCES ARE:</p> <p>ANGLES: ± 1°</p> <p>1 PLACE .X: ± .1 [2.5]</p> <p>2 PLACE .XX: ± .03 [0.76]</p> <p>3 PLACE .XXX: ± .010 [0.254]</p>		<p><b>MTE</b> AN BL POWER ELECTRONICS COMPANY</p> <p>N83 W13330 Leon Road Menomonee Falls, WI 53051 USA 800.455.4693 262.253.8200</p>		<p>DESCRIPTION</p> <p>DV SENTRY 110A 380-600V FILTER, NEMA 1/2 ENCL.</p>	
<p>DRAWN JT</p> <p>CHECKED TM</p> <p>APPROVED TM</p>	<p>DATE 06/11/14</p> <p>DATE 01/18/17</p> <p>DATE 01/18/17</p>	<p>SIZE D</p> <p>SCALE 1:2</p>	<p>DWG No. CD DVSG0110E</p>	<p>REV 02</p>	<p>SHEET 1 OF 1</p>