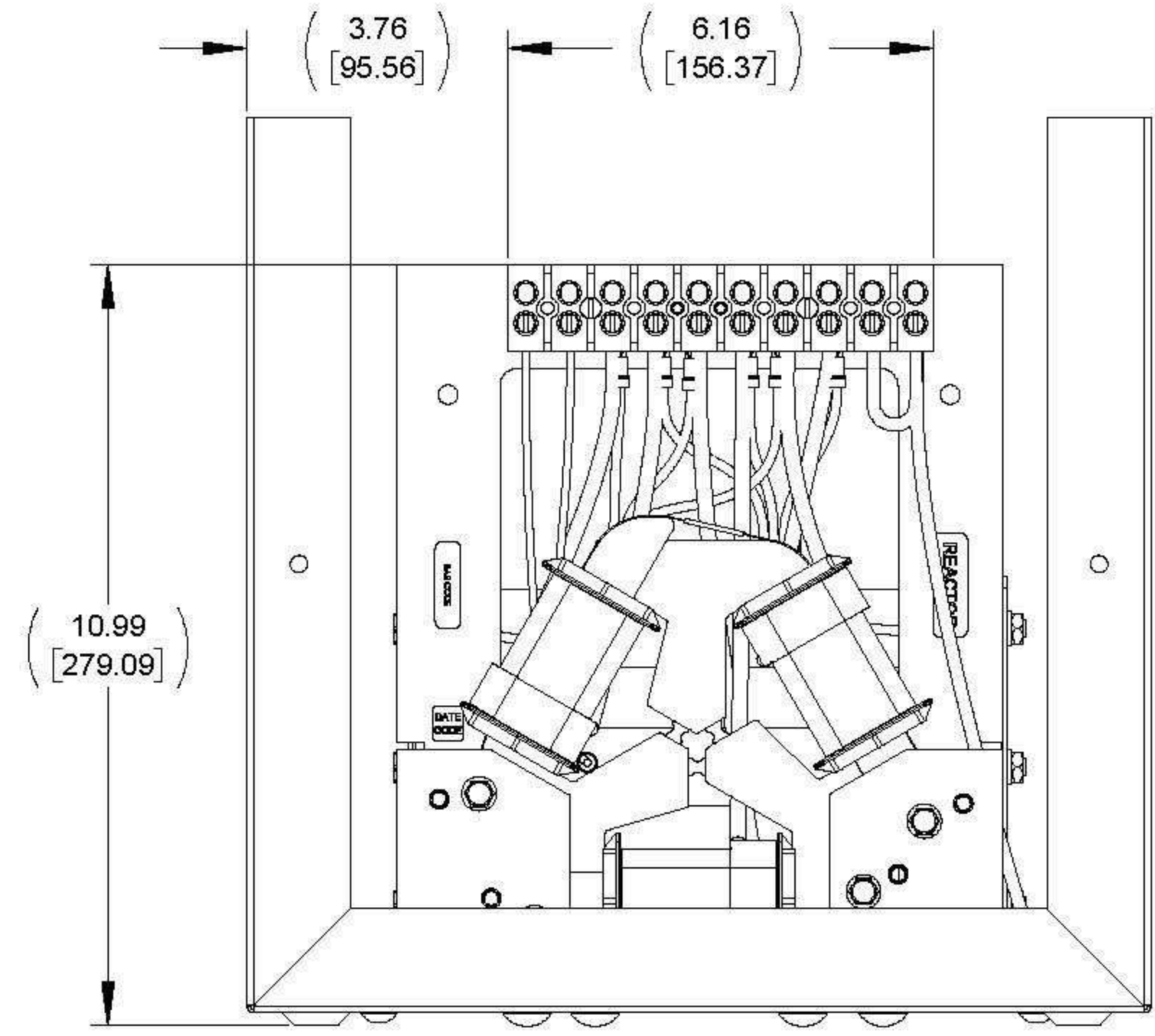
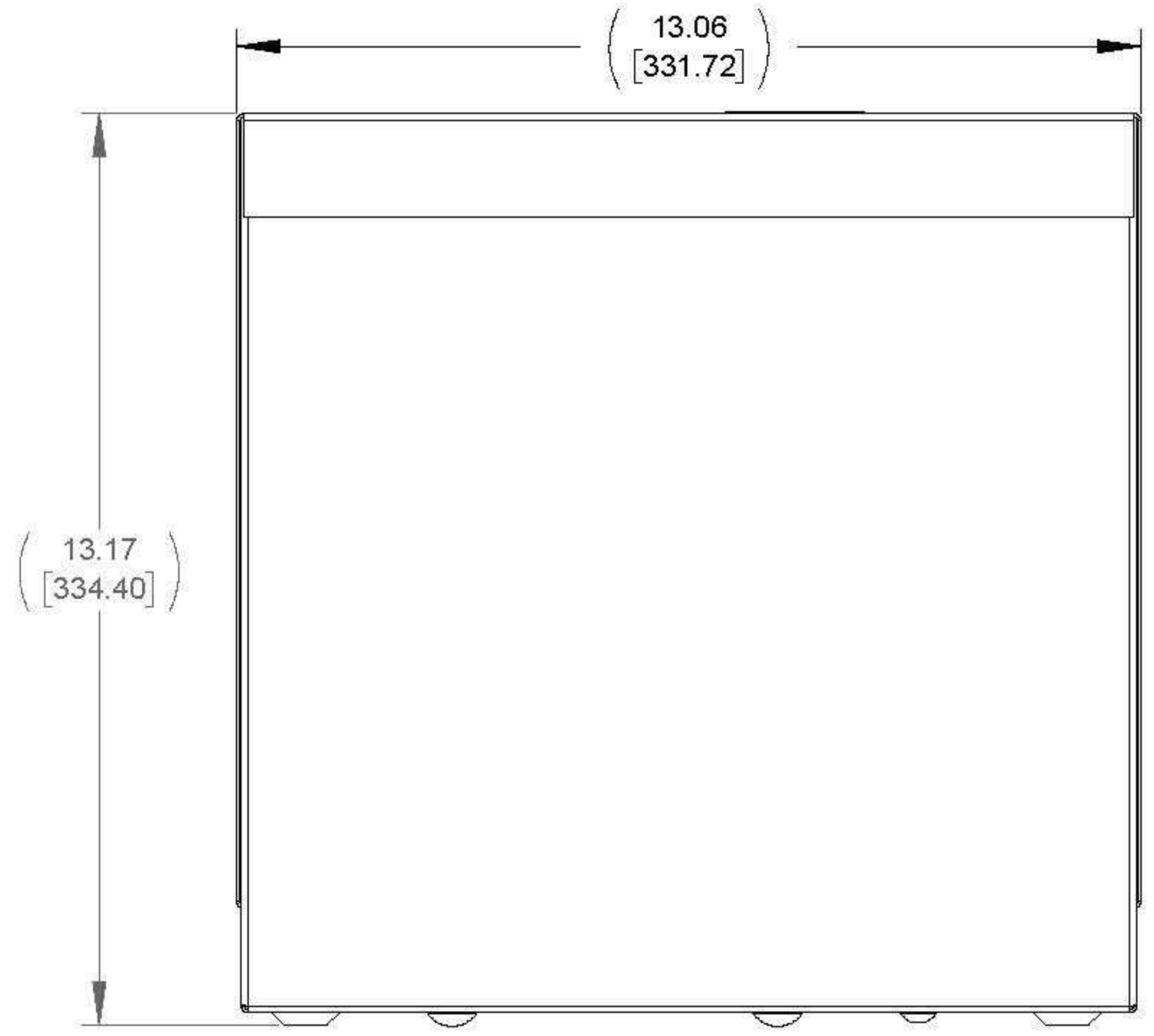


APPROX. WEIGHT (LBS)
26

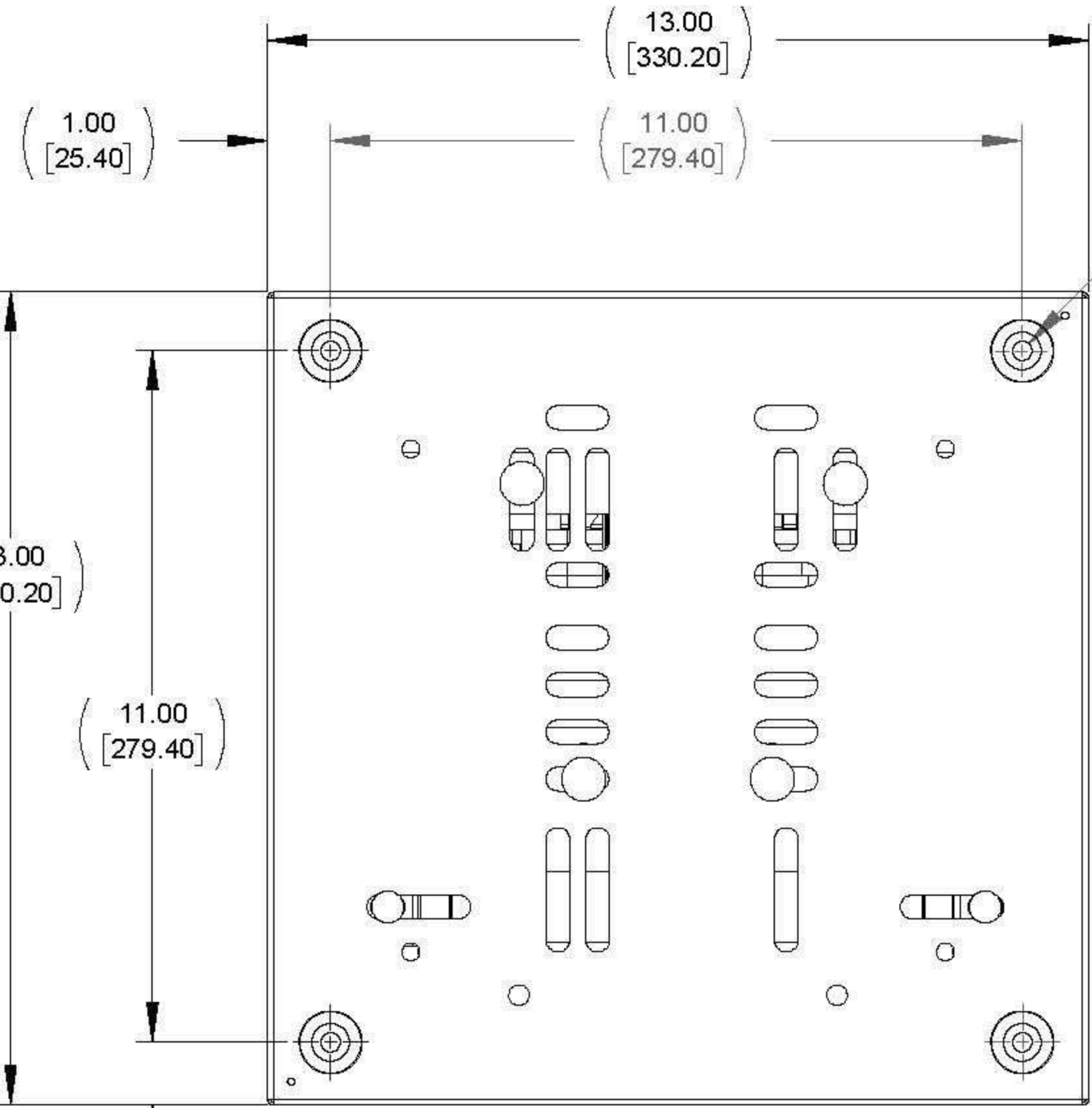
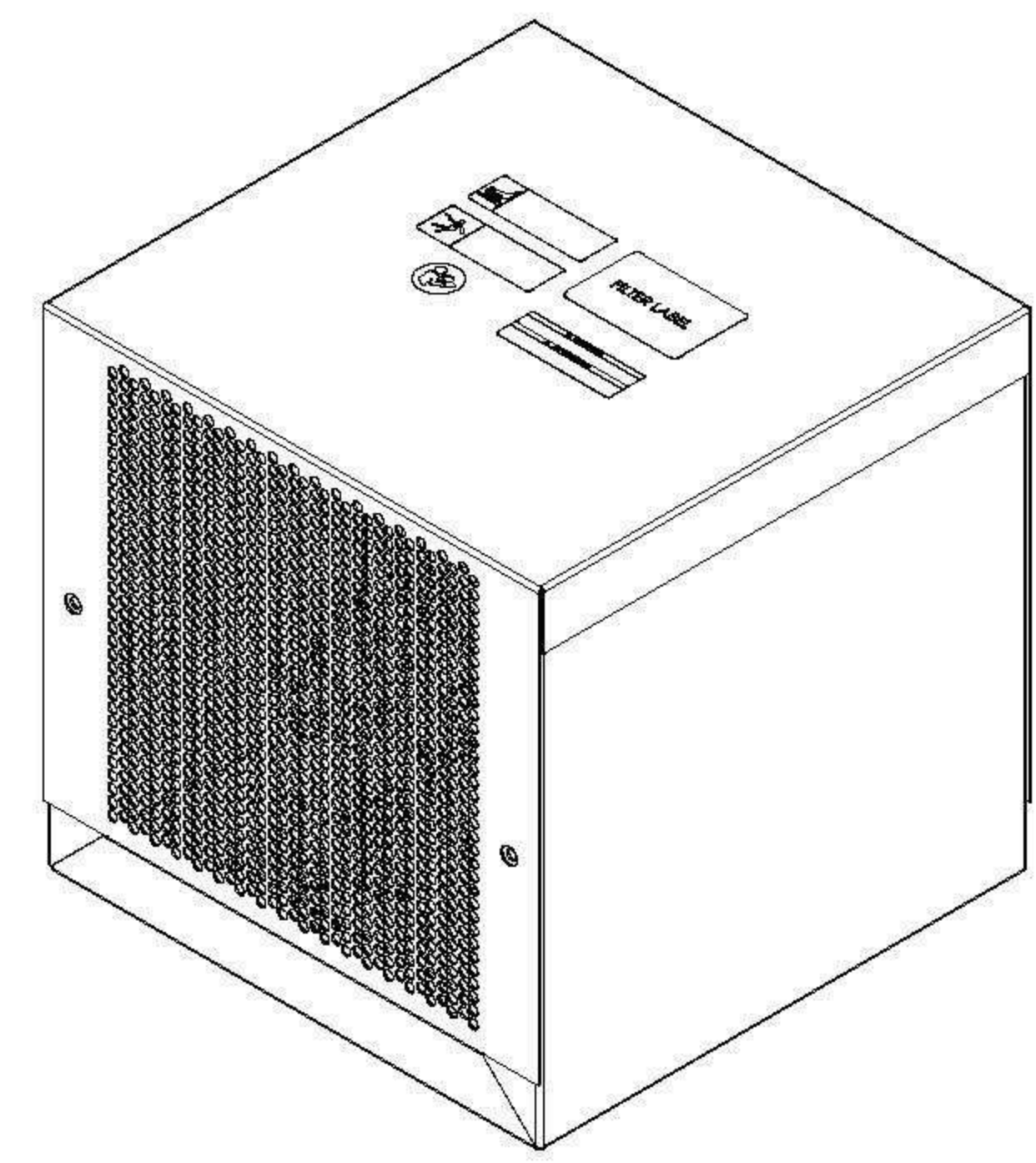
ECO No	DESCRIPTION	REVBY	DATE
M10014	ADDED MOUNTING BRACKET TO REACTOR	MN	11/29/16



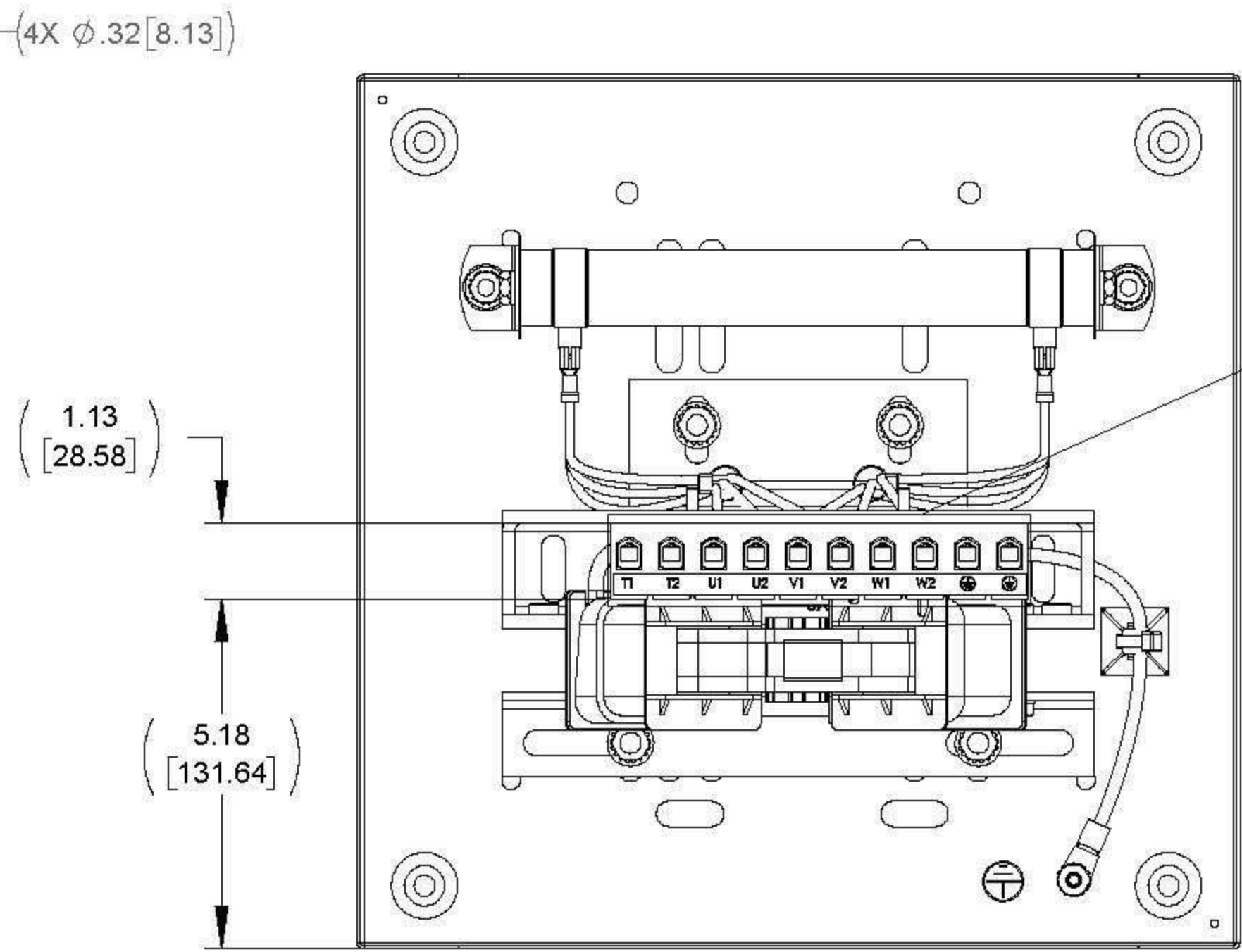
FRONT VIEW
(PANEL REMOVED)



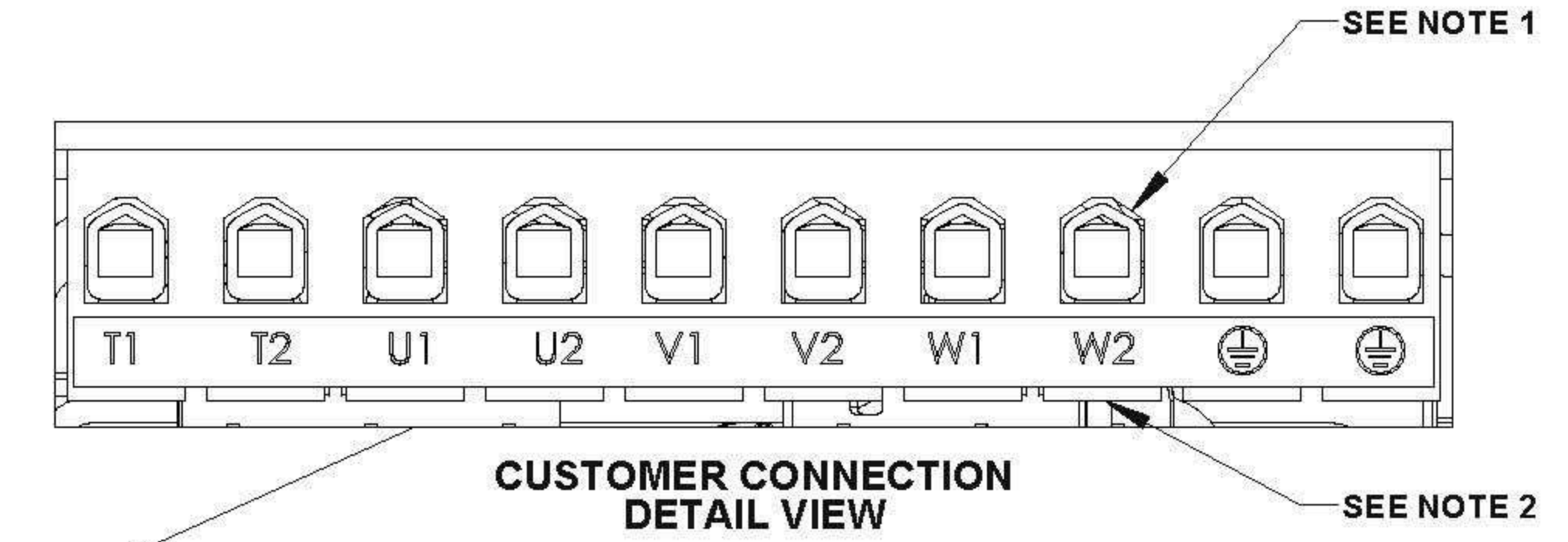
SIDE VIEW



BOTTOM VIEW



TOP VIEW
(PANEL REMOVED)



CUSTOMER CONNECTION
DETAIL VIEW

NOTES:

1. WIRE RANGE: 4 - 18 AWG.
2. TERMINAL SCREW TIGHTENING TORQUE: 16 IN/LBS.

THE COMPONENT, PART OR ASSEMBLY DESCRIBED IN THIS DOCUMENT MUST COMPLY WITH THE EU (EUROPEAN UNION) DIRECTIVE RoHS2 CONTAINS <0.1% OF ANY SVHC BY WEIGHT PER REACH REGULATION		MATERIAL		CONFIDENTIAL AND PROPRIETARY INFORMATION THIS DOCUMENT CONTAINS CONFIDENTIAL AND PROPRIETARY INFORMATION OF MTE CORPORATION AND MAY NOT BE USED, COPIED OR DISCLOSED TO OTHERS EXCEPT WITH THE AUTHORIZED WRITTEN PERMISSION OF MTE CORPORATION	
UNLESS OTHERWISE SPECIFIED DIMENSIONS ARE IN INCHES (MM) TOLERANCES ARE: ANGLES: ± 1° 1 PLACE .X: ± .1 [2.5] 2 PLACE .XX: ± .03 [0.76] 3 PLACE .XXX: ± .010 [0.254]		 N83 W13330 Leon Road Menomonee Falls, WI 53051 USA 800.455.4693 262.253.8200		DESCRIPTION DV SENTRY 45A 380-600V FILTER, NEMA 1/2 ENCL.	
DRAWN: MM CHECKED: TM APPROVED: TM		DATE: 07/02/14 DATE: 01/18/17 DATE: 01/18/17		SIZE: D DWG No: CD DVSG0045E REV: 02	
SCALE: 1:2		SHEET 1 OF 1			