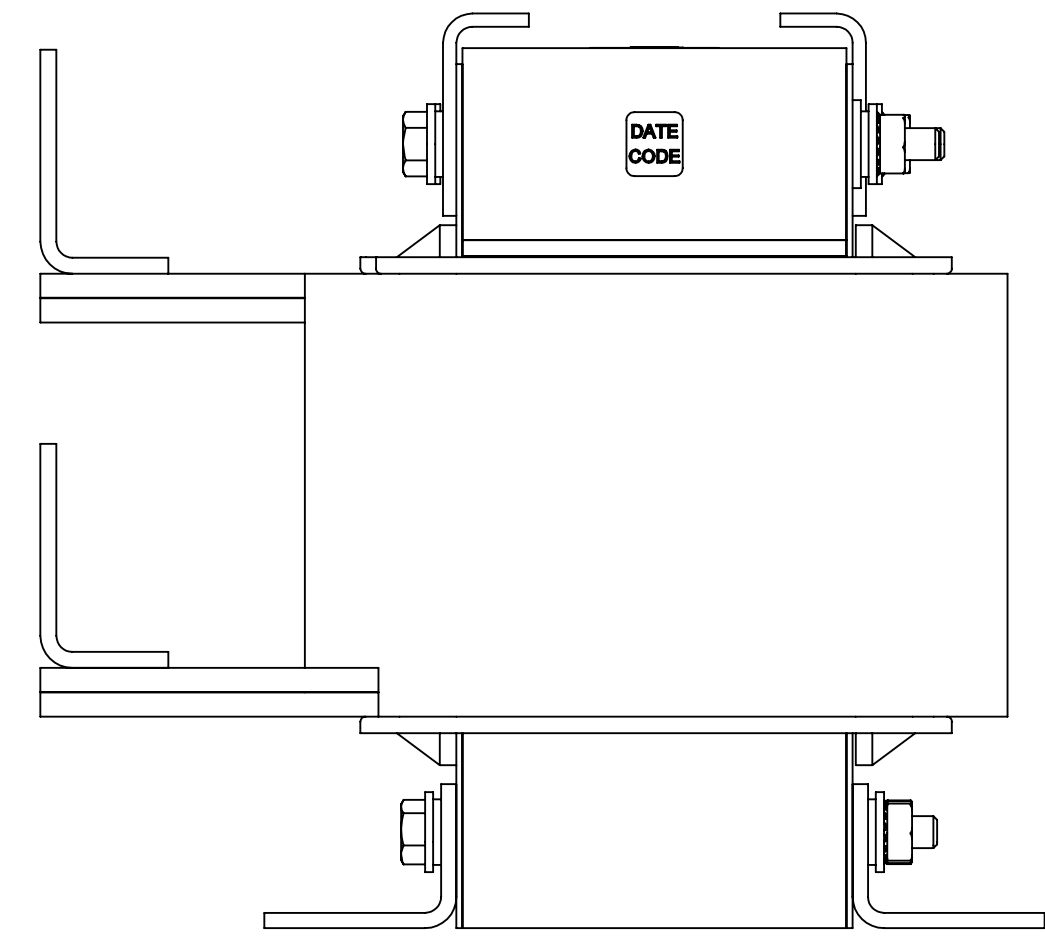
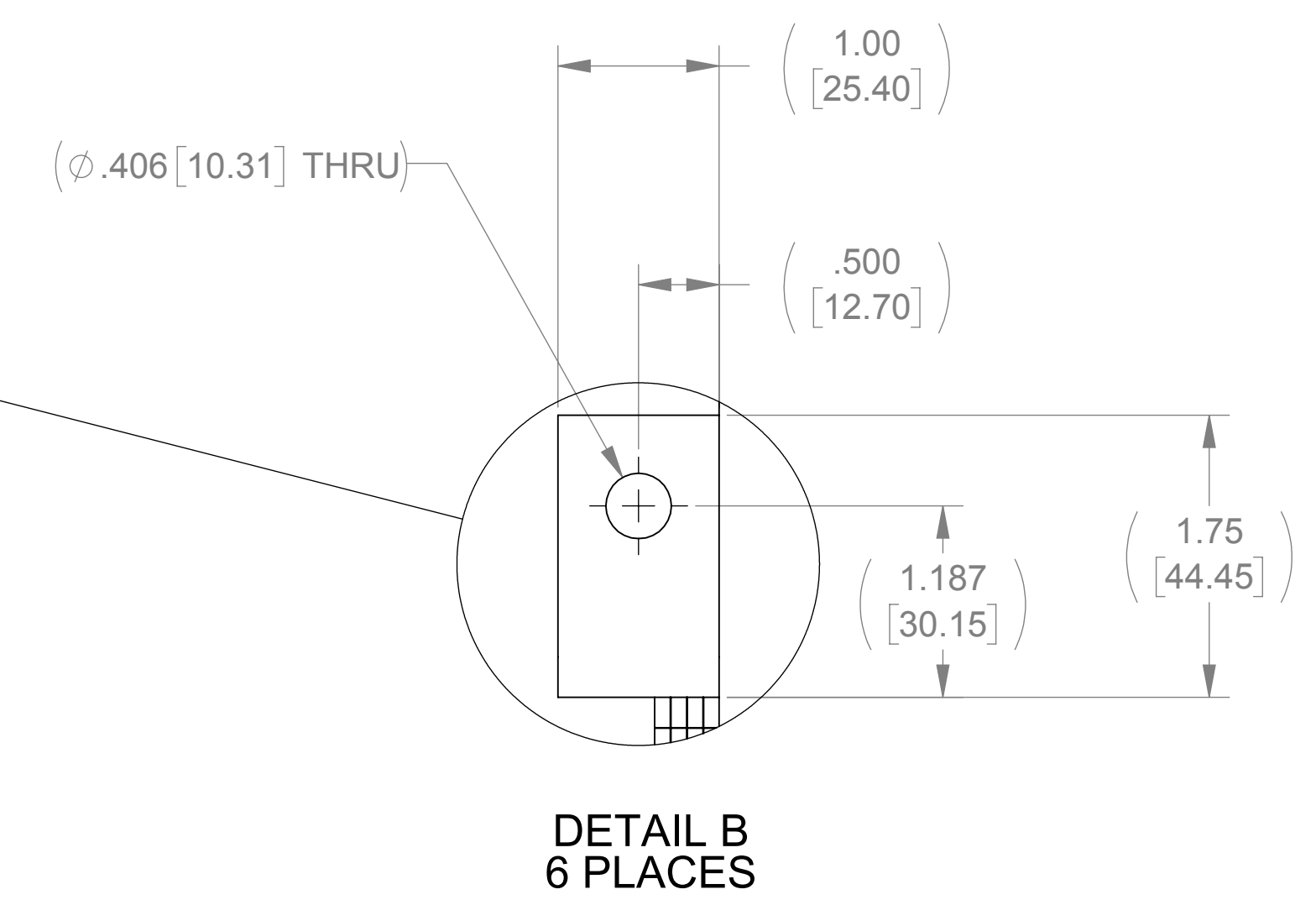
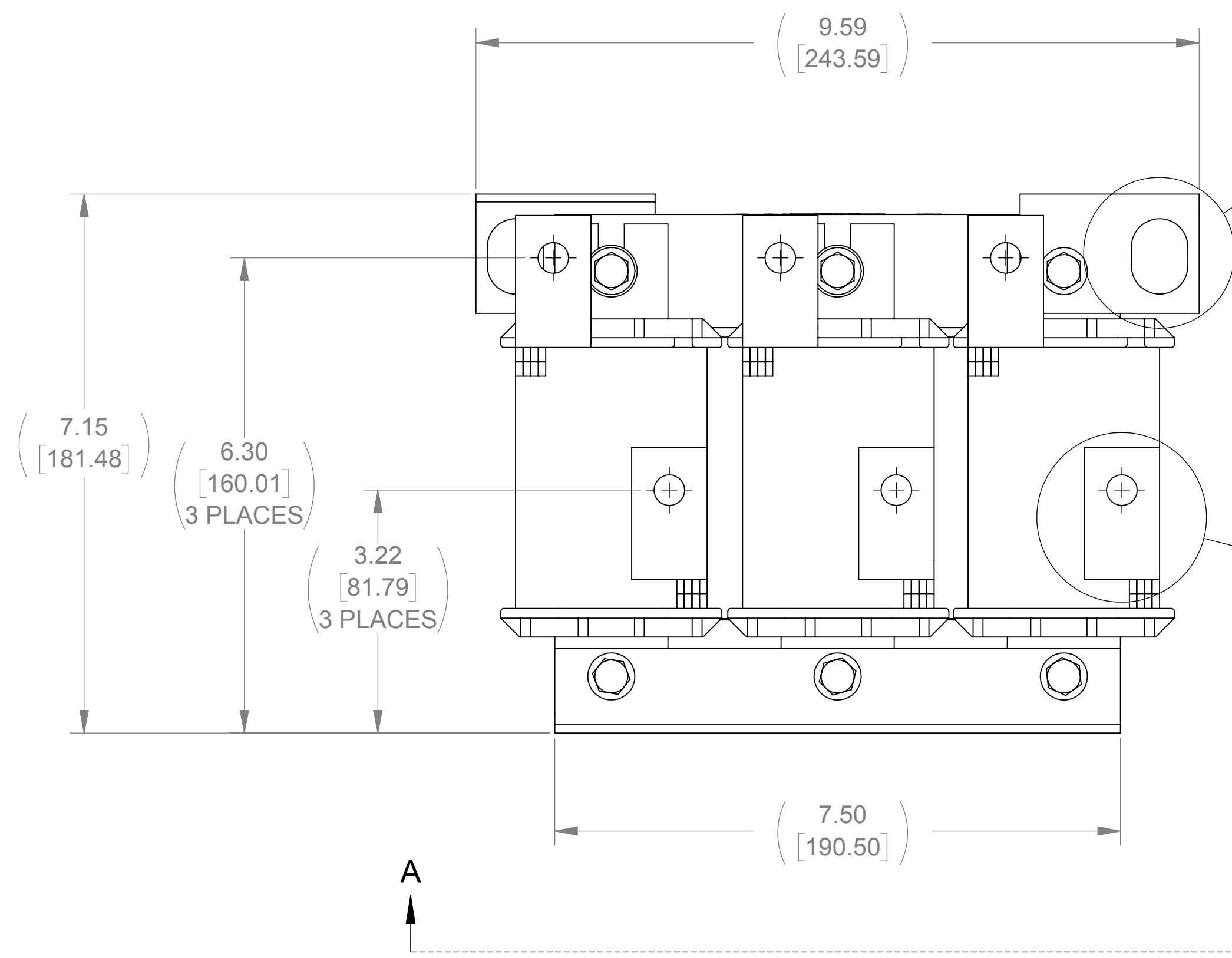
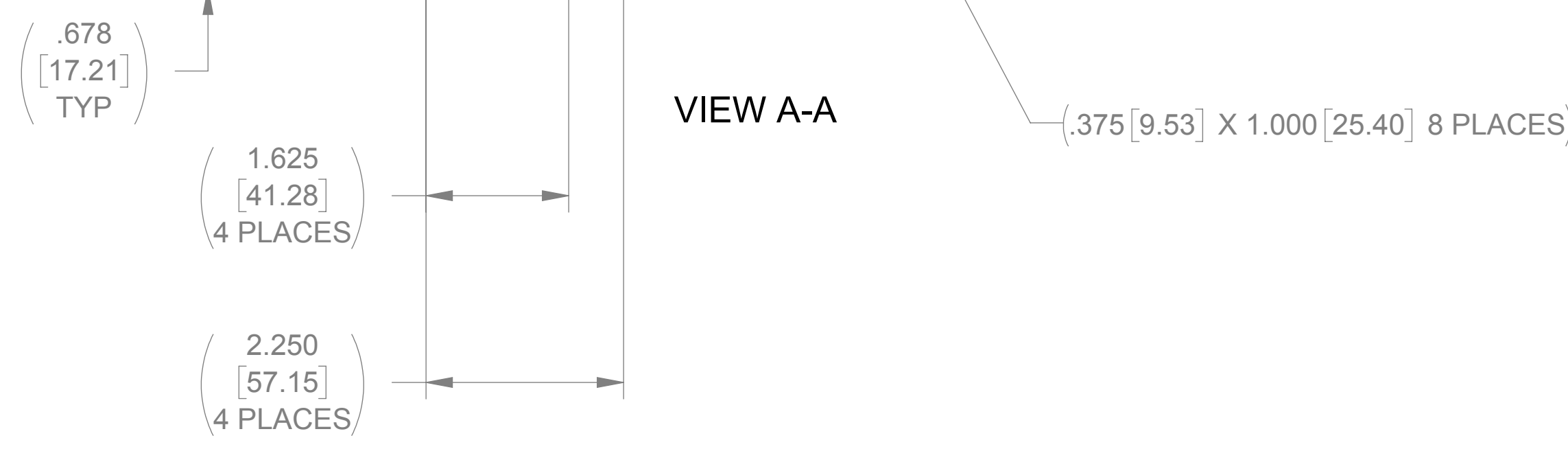
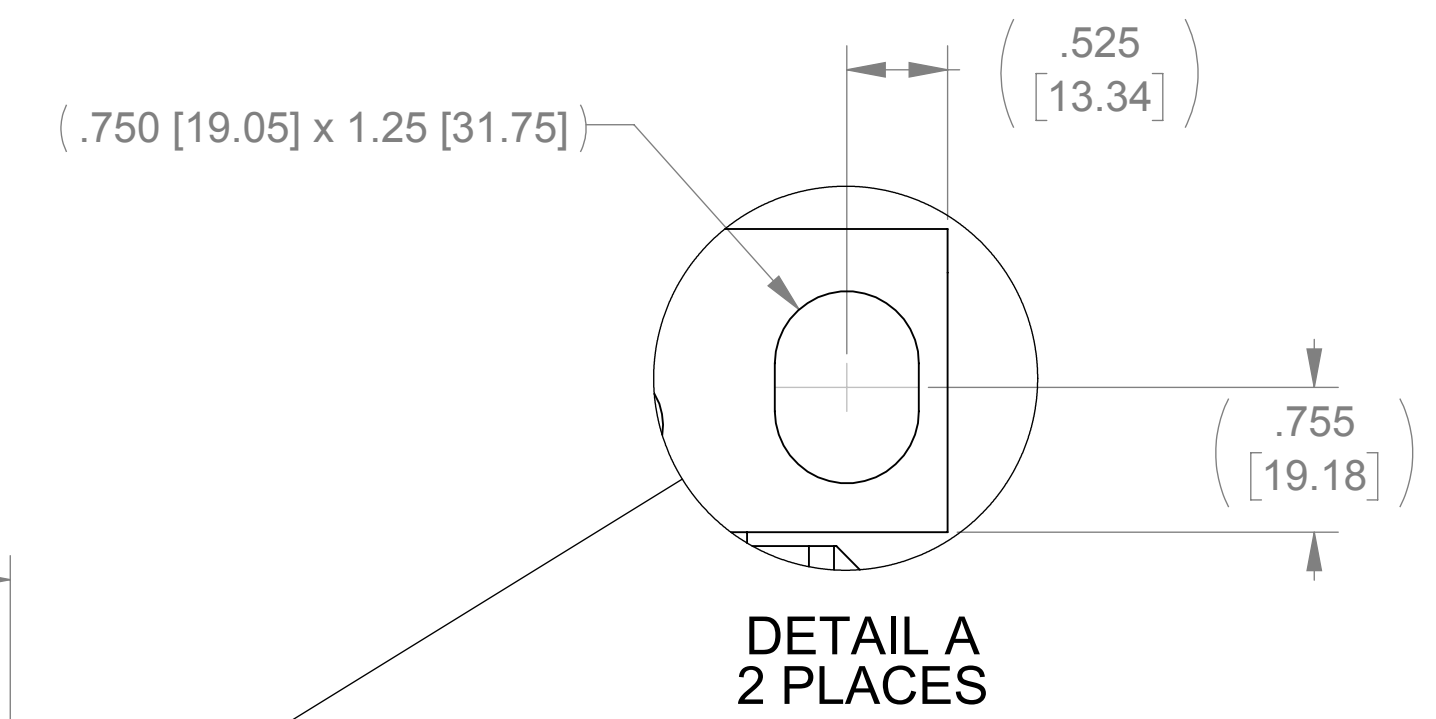
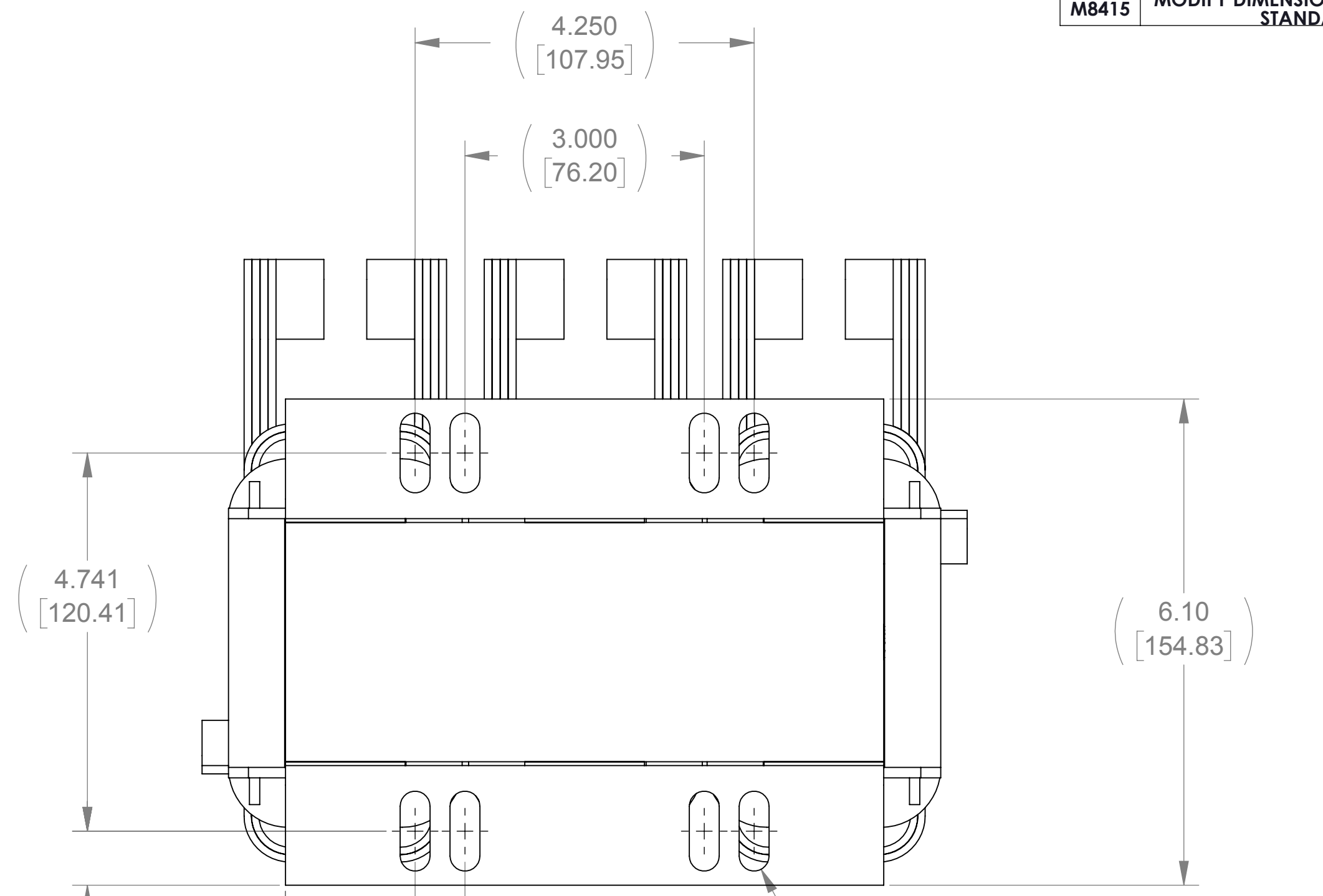
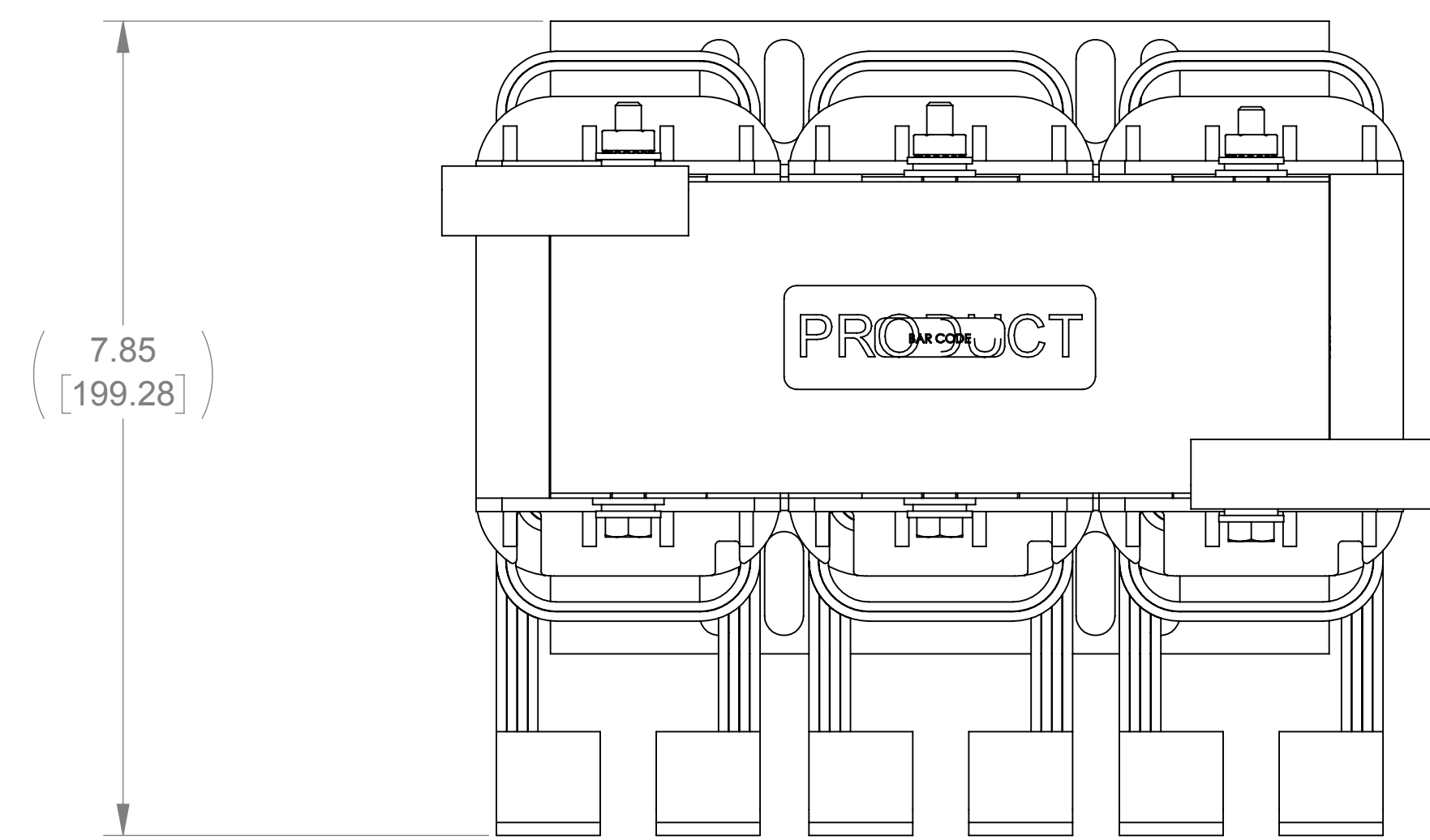


WEIGHT (LBS)	INDUCTANCE	LOSS (WATTS)
54	0.110 mH	168

ECO No	DESCRIPTION	REV BY	DATE
M8415	MODIFY DIMENSIONS TO CURRENT STANDARD	SU	02/25/13



<p>THE COMPONENT, PART OR ASSEMBLY DESCRIBED IN THIS DOCUMENT MUST COMPLY WITH THE EU (EUROPEAN UNION) DIRECTIVE RoHS</p> <p>CONTAINS <0.1% OF ANY SVHC BY WEIGHT PER REACH REGULATION</p> <p>UNLESS OTHERWISE SPECIFIED DIMENSIONS ARE IN INCHES [MM] TOLERANCES ARE:</p> <p>ANGLES: ± 1°</p> <p>1 PLACE .X: ± .1 [2.5]</p> <p>2 PLACE .XX: ± .03 [0.76]</p> <p>3 PLACE .XXX: ± .010 [0.254]</p>		<p>N83 W13330 Leon Road Menomonee Falls, WI 53051 USA 800.455.4683 262.253.8200</p>	<p>MATERIAL</p>		<p>CONFIDENTIAL AND PROPRIETARY INFORMATION</p> <p>THIS DOCUMENT CONTAINS CONFIDENTIAL AND PROPRIETARY INFORMATION OF MTE CORPORATION AND MAY NOT BE USED, COPIED OR DISCLOSED TO OTHERS EXCEPT WITH THE AUTHORIZED WRITTEN PERMISSION OF MTE CORPORATION</p>
<p>DRAWN KPH</p> <p>CHECKED TM</p> <p>APPROVED TM</p>			<p>DATE 04/15/05</p> <p>DATE 03/19/13</p> <p>DATE 03/19/13</p>		
<p>SIZE D</p> <p>SCALE 1:2</p>		<p>DWG No CD RL-20002B14</p> <p>REV 11</p>		<p>SHEET 1 OF 1</p>	