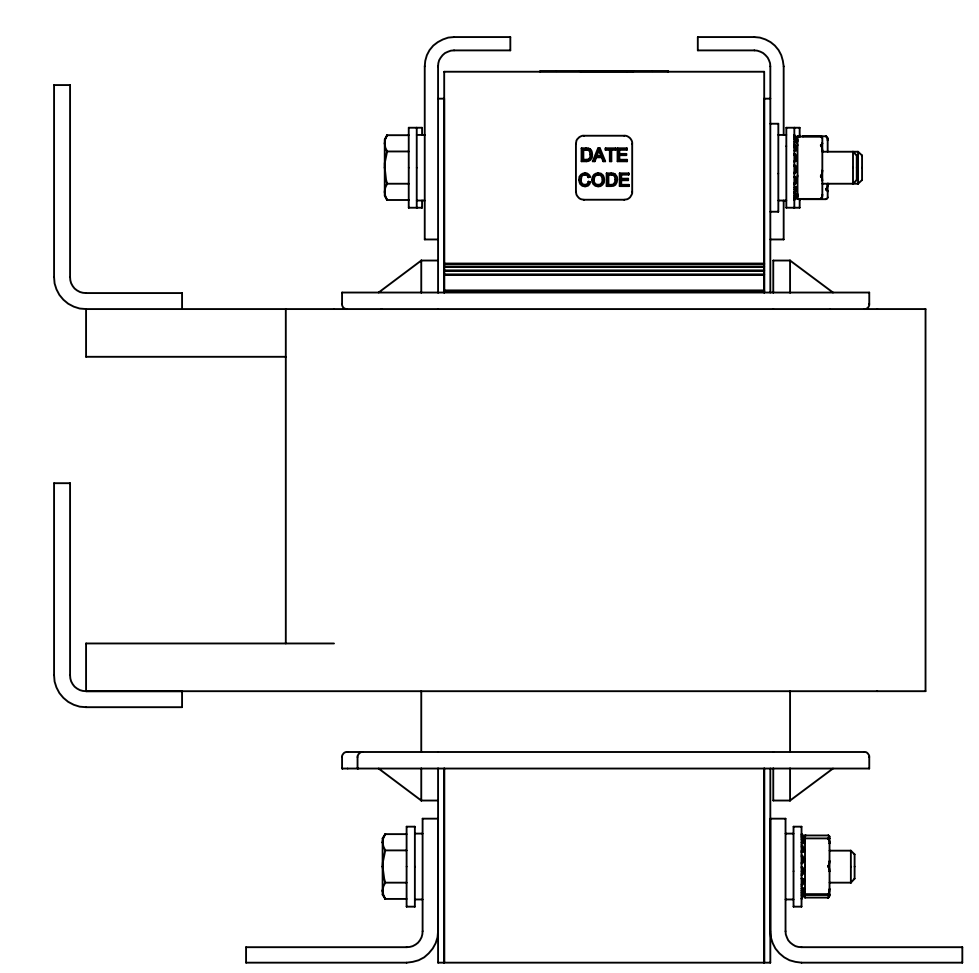
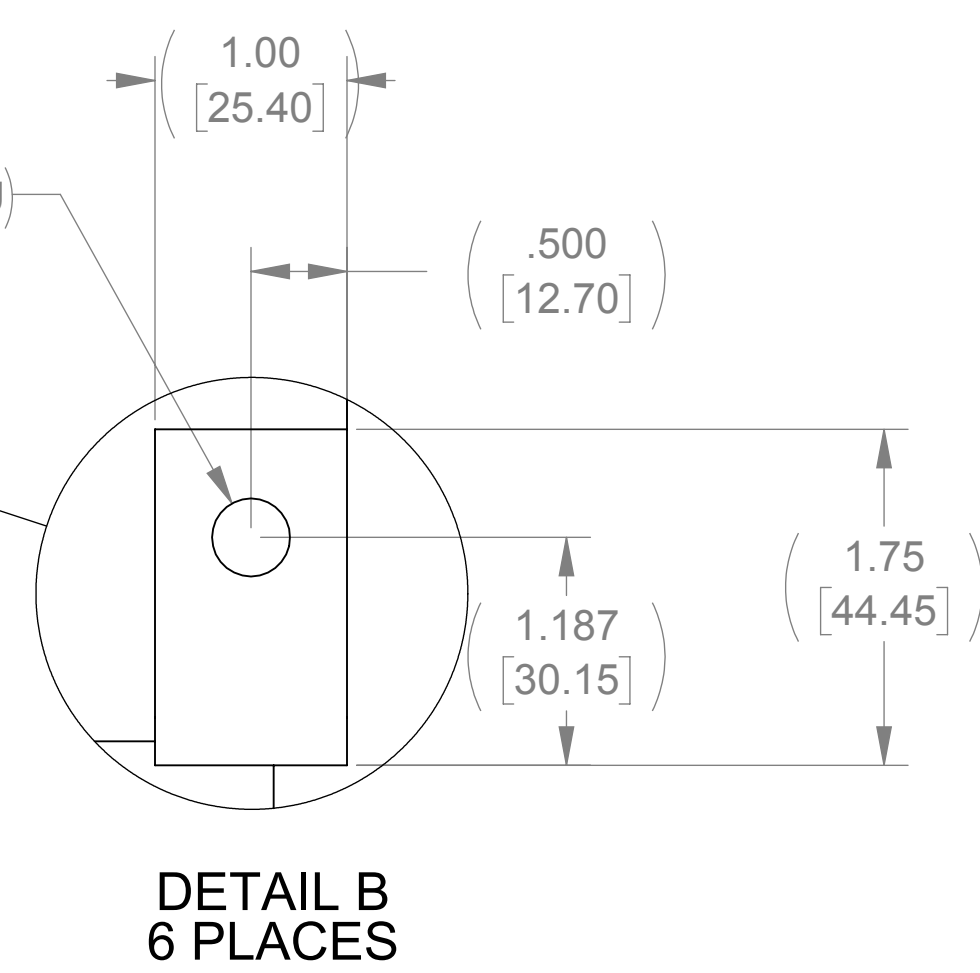
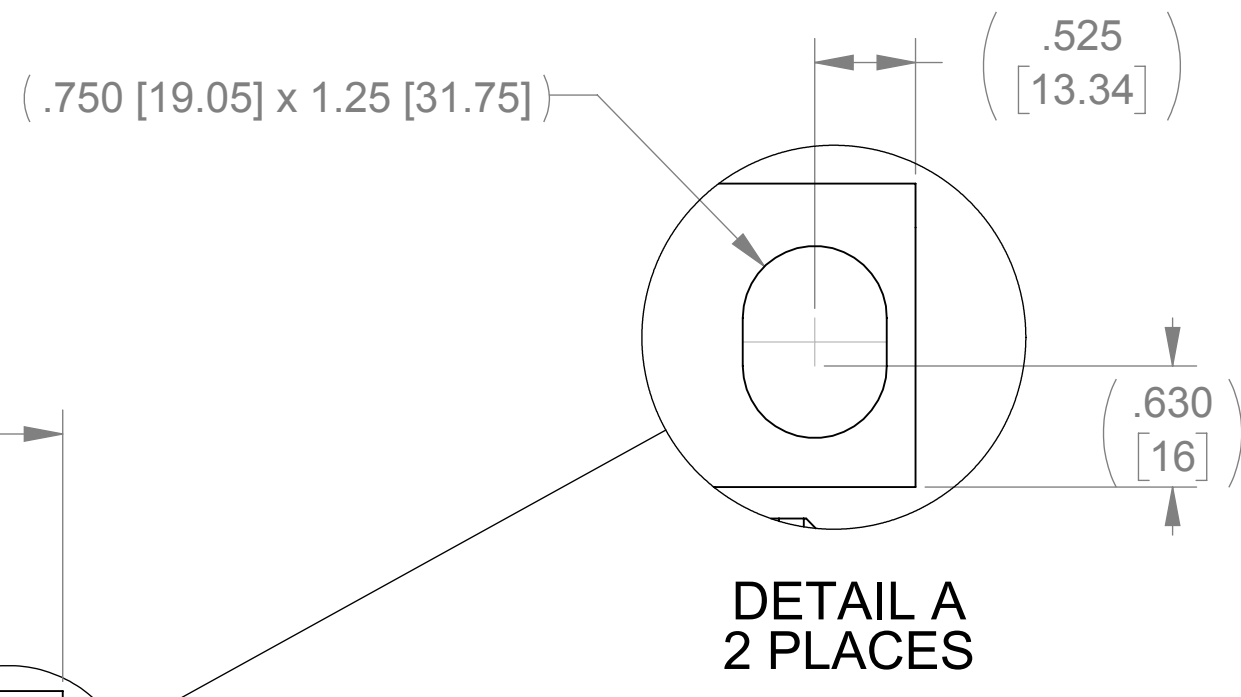
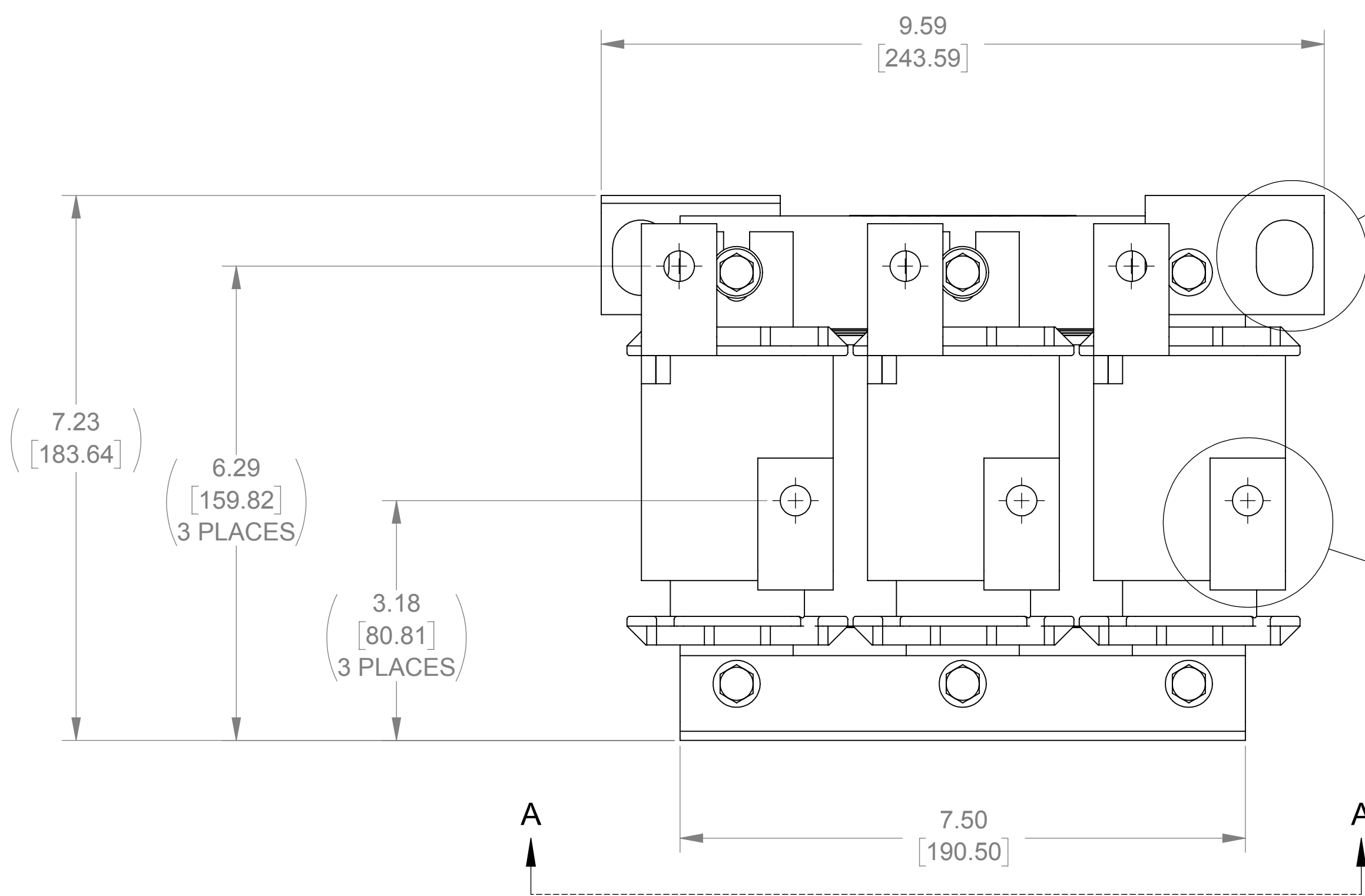
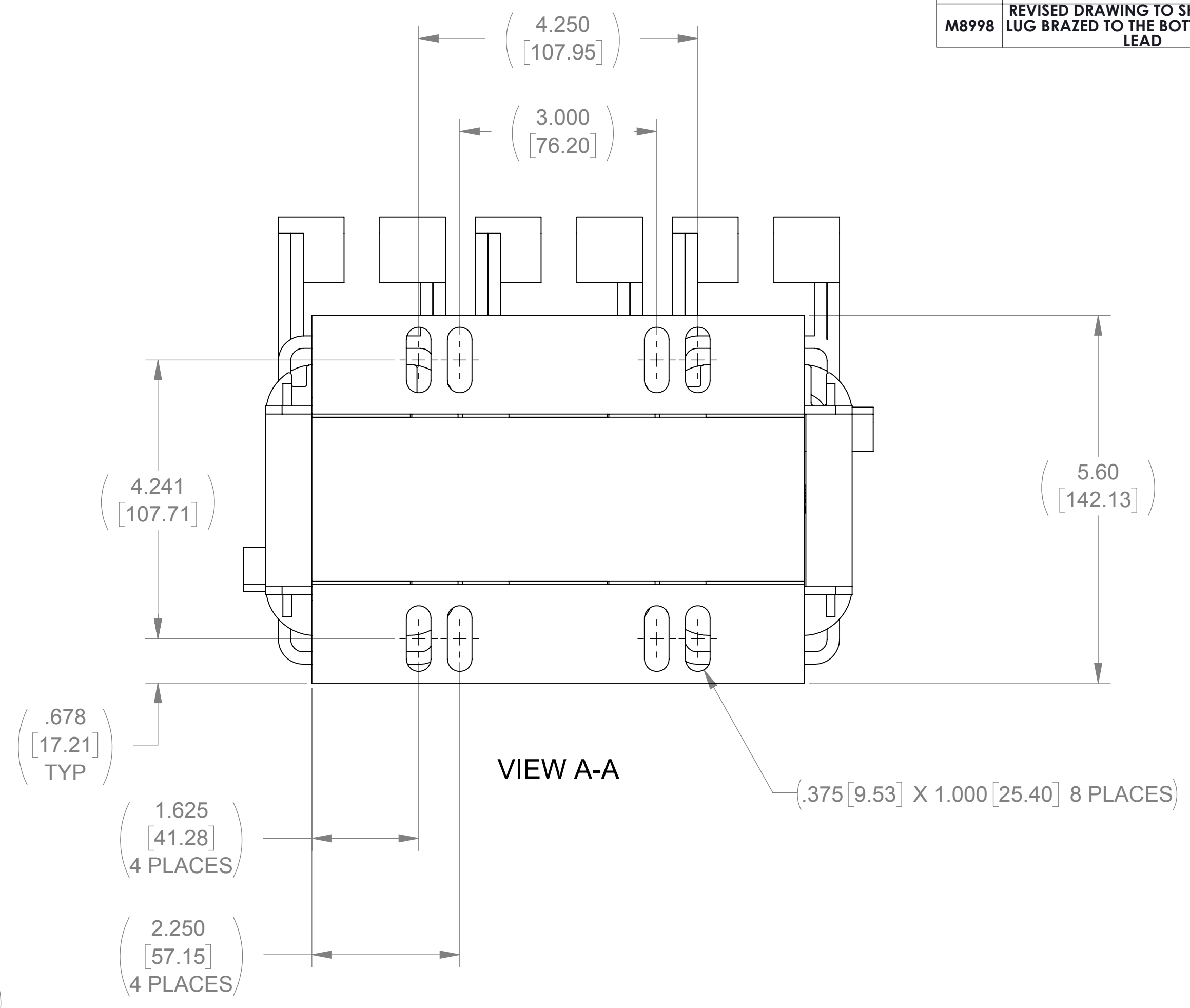
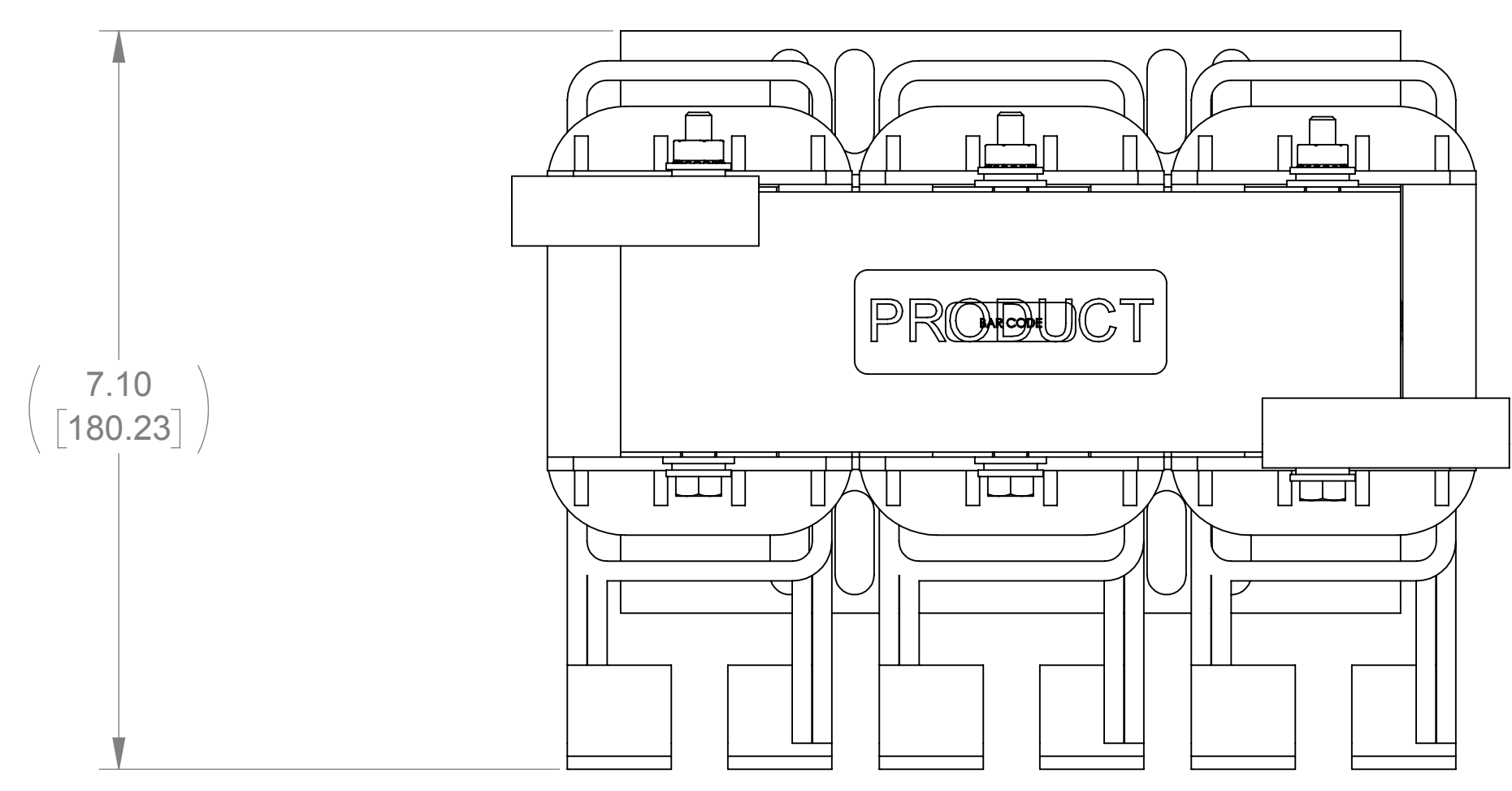


WEIGHT (LBS)	INDUCTANCE	LOSS (WATTS)
38	0.055 mH	124

ECO No	DESCRIPTION	REV BY	DATE
M8998	REVISED DRAWING TO SHOW FINISH LUG BRAZED TO THE BOTTOM OF THE LEAD	KV	02/12/14



<p>THE COMPONENT, PART OR ASSEMBLY DESCRIBED IN THIS DOCUMENT MUST COMPLY WITH THE EU (EUROPEAN UNION) DIRECTIVE RoHS</p> <p>CONTAINS <0.1% OF ANY SVHC BY WEIGHT PER REACH REGULATION</p> <p>UNLESS OTHERWISE SPECIFIED DIMENSIONS ARE IN INCHES [MM] TOLERANCES ARE:</p> <p>ANGLES: ± 1°</p> <p>1 PLACE .X: ± .1 [2.5]</p> <p>2 PLACE .XX: ± .03 [0.76]</p> <p>3 PLACE .XXX: ± .010 [0.254]</p>		<p>N83 W13330 Leon Road Menomonee Falls, WI 53051 USA 800.455.4683 262.253.8200</p>	<p>MATERIAL</p>		<p>CONFIDENTIAL AND PROPRIETARY INFORMATION THIS DOCUMENT CONTAINS CONFIDENTIAL AND PROPRIETARY INFORMATION OF MTE CORPORATION AND MAY NOT BE USED, COPIED OR DISCLOSED TO OTHERS EXCEPT WITH THE AUTHORIZED WRITTEN PERMISSION OF MTE CORPORATION</p>	
<p>DRAWN AGK DATE 04/15/05</p> <p>CHECKED EM DATE 02/12/14</p> <p>APPROVED EM DATE 02/12/14</p>			<p>DESCRIPTION</p> <p>LINE/LOAD REACTOR</p>		<p>SIZE D DWG No. CD RL-20001B14 REV 05</p> <p>SCALE 1:2 SHEET 1 OF 1</p>	