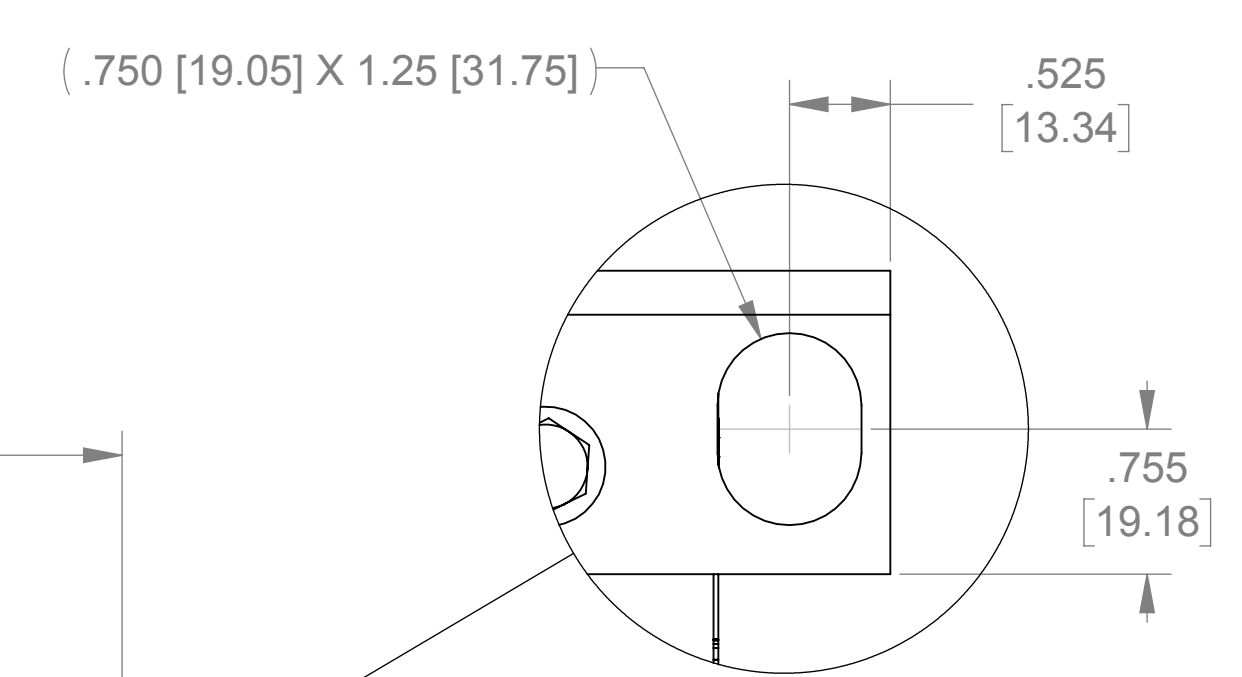
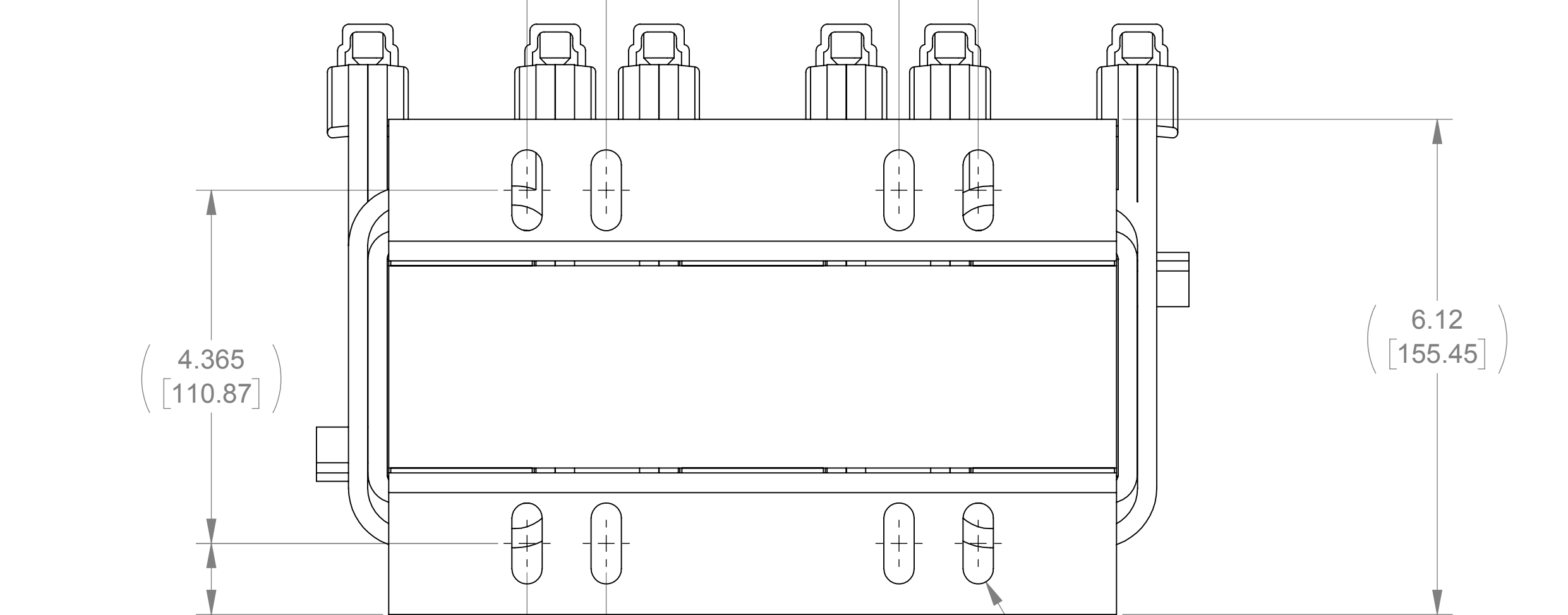
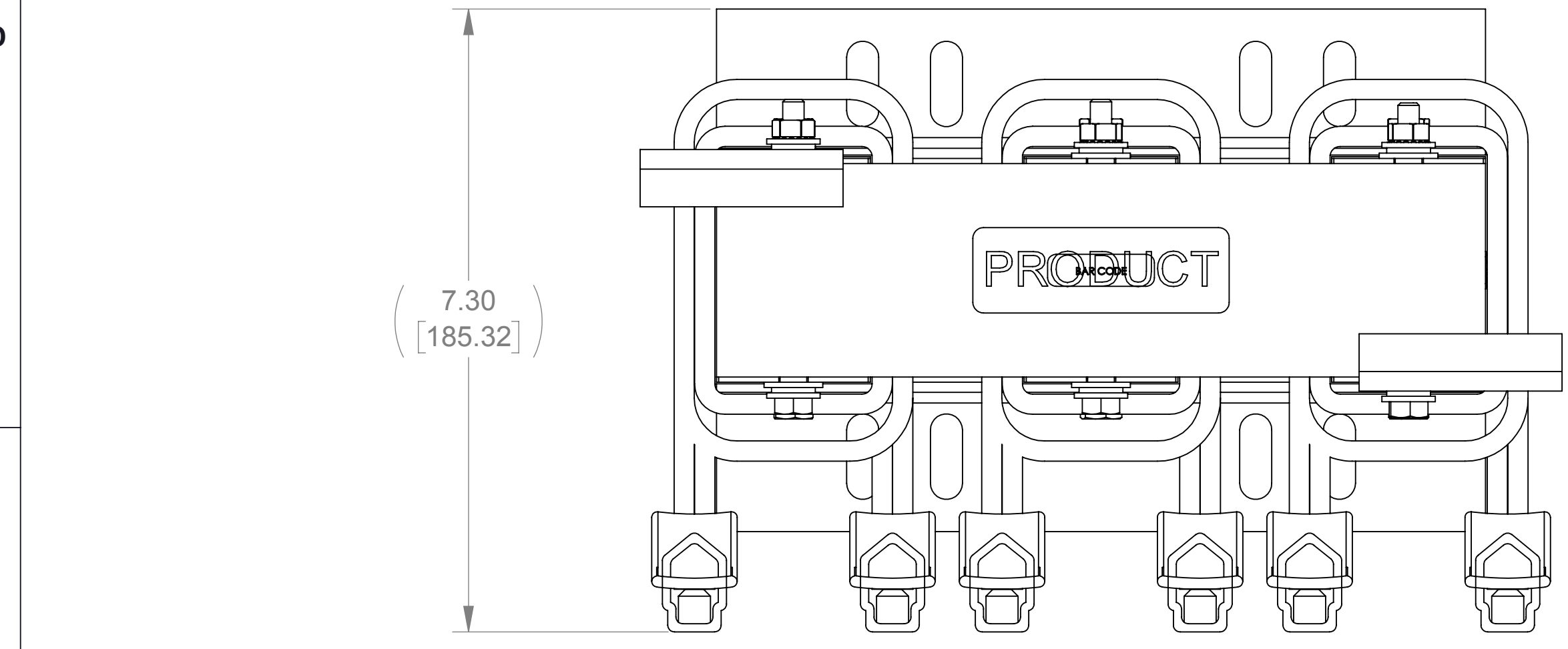
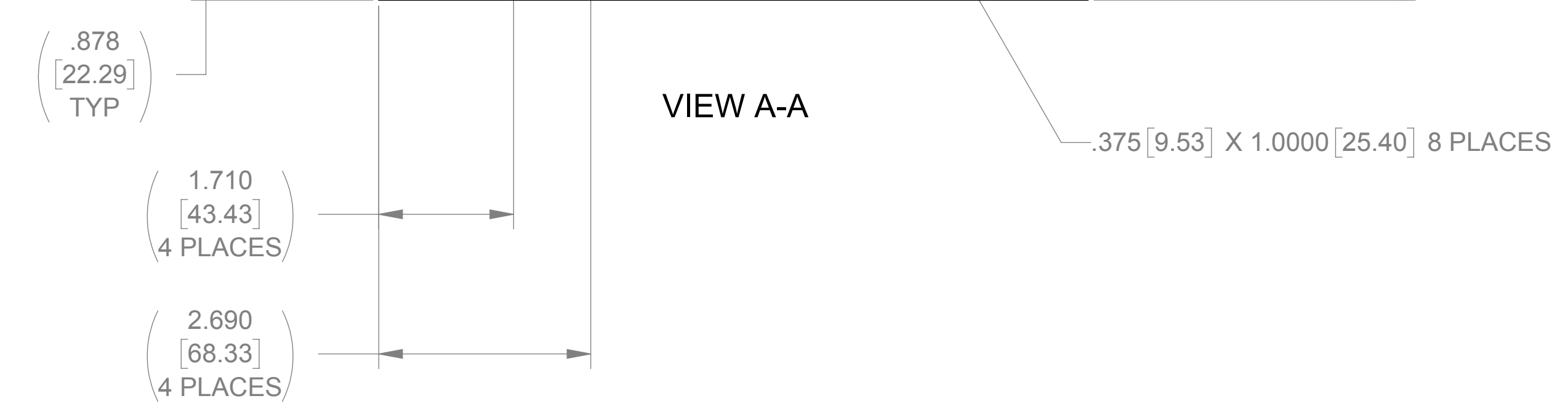
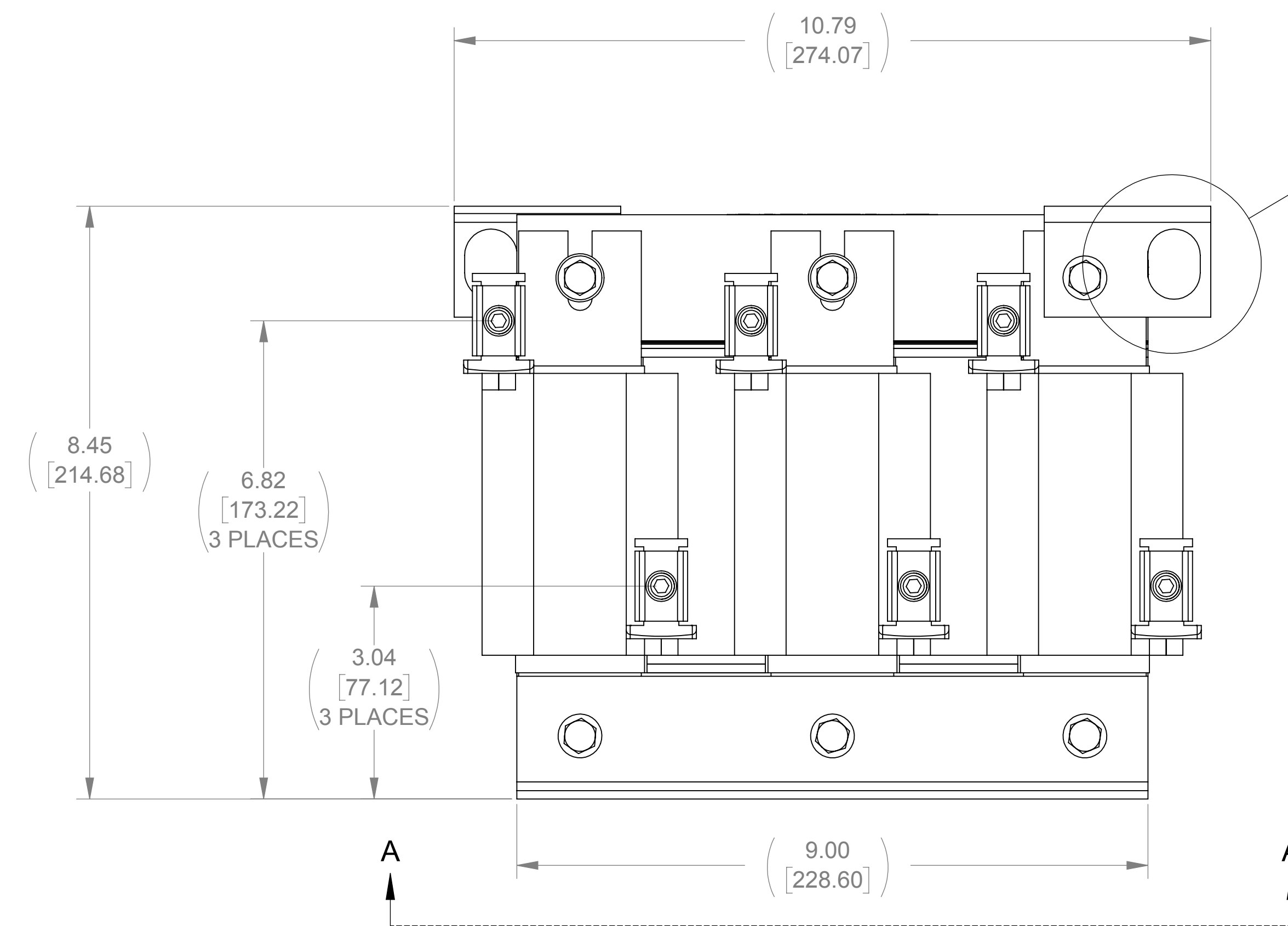


WEIGHT (LBS)	INDUCTANCE	LOSS (WATTS)
64	0.30 mH	128

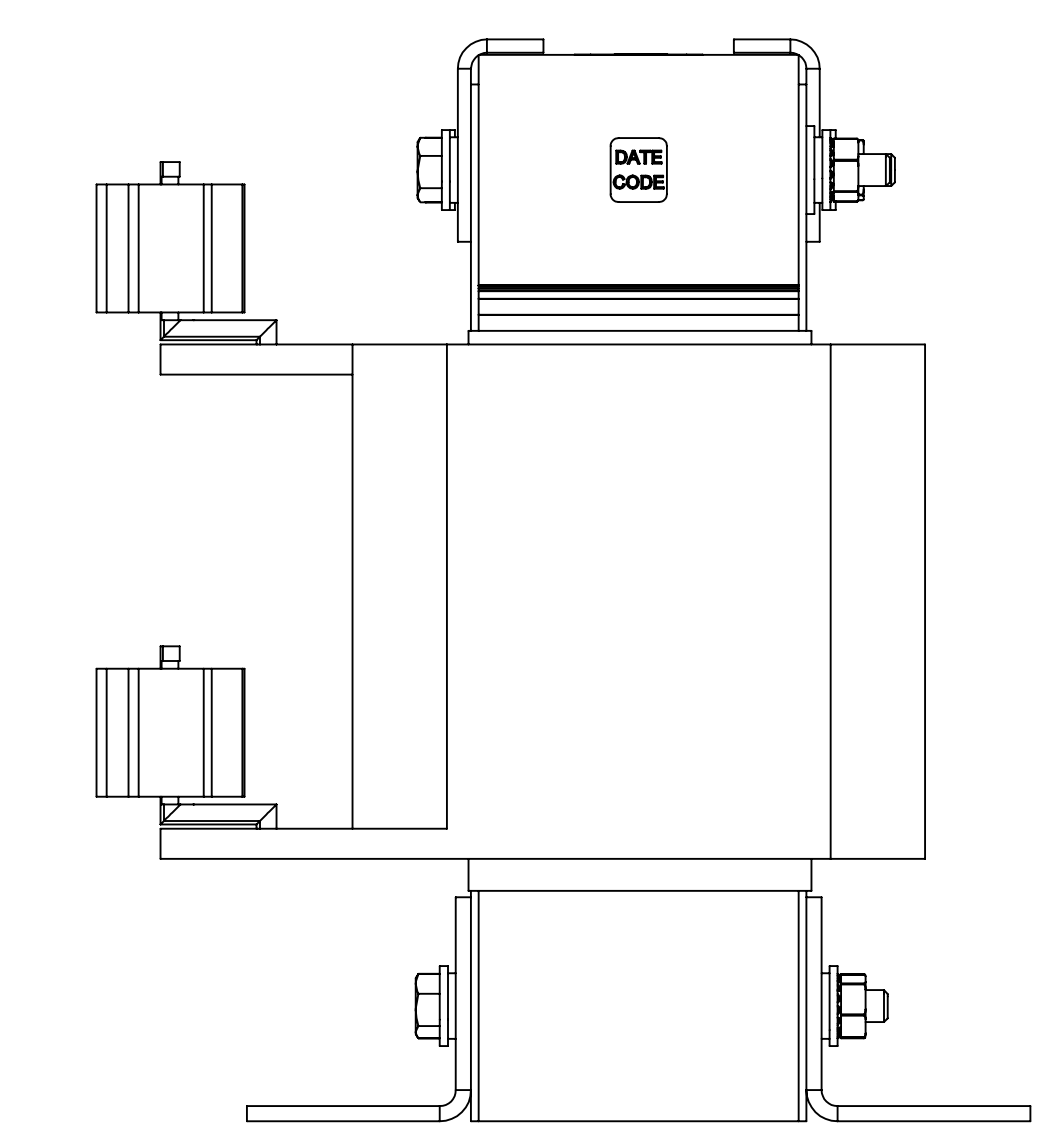
ECO No	DESCRIPTION	REV BY	DATE
M8417	MODIFY DIMENSIONS TO CURRENT STANDARDS	SU	02/27/13



DETAIL A  
2 PLACES



VIEW A-A



<p>THE COMPONENT, PART OR ASSEMBLY DESCRIBED IN THIS DOCUMENT MUST COMPLY WITH THE EU (EUROPEAN UNION) DIRECTIVE RoHS</p> <p>CONTAINS &lt;0.1% OF ANY SVHC BY WEIGHT PER REACH REGULATION</p> <p>UNLESS OTHERWISE SPECIFIED DIMENSIONS ARE IN INCHES [MM] TOLERANCES ARE:</p> <p>ANGLES: ± 1°</p> <p>1 PLACE .X: ± .1 [2.5]</p> <p>2 PLACE .XX: ± .03 [0.76]</p> <p>3 PLACE .XXX: ± .010 [0.254]</p>		<p>N83 W13330 Leon Road Menomonee Falls, WI 53051 USA 800.455.4683 262.253.8200</p>	<p>MATERIAL</p>		<p>CONFIDENTIAL AND PROPRIETARY INFORMATION THIS DOCUMENT CONTAINS CONFIDENTIAL AND PROPRIETARY INFORMATION OF MTE CORPORATION AND MAY NOT BE USED, COPIED OR DISCLOSED TO OTHERS EXCEPT WITH THE AUTHORIZED WRITTEN PERMISSION OF MTE CORPORATION</p>																			
<p>UNLESS OTHERWISE SPECIFIED DIMENSIONS ARE IN INCHES [MM] TOLERANCES ARE:</p> <p>ANGLES: ± 1°</p> <p>1 PLACE .X: ± .1 [2.5]</p> <p>2 PLACE .XX: ± .03 [0.76]</p> <p>3 PLACE .XXX: ± .010 [0.254]</p>			<table border="1"> <tr> <td>DRAWN</td> <td>DATE</td> </tr> <tr> <td>MSM</td> <td>8/25/97</td> </tr> <tr> <td>CHECKED</td> <td>DATE</td> </tr> <tr> <td>TM</td> <td>03/21/13</td> </tr> <tr> <td>APPROVED</td> <td>DATE</td> </tr> <tr> <td>TM</td> <td>03/21/13</td> </tr> </table>	DRAWN	DATE	MSM	8/25/97	CHECKED	DATE	TM	03/21/13	APPROVED	DATE	TM	03/21/13	<p>DESCRIPTION</p> <p>LINE/LOAD REACTOR</p>		<table border="1"> <tr> <td>SIZE</td> <td>DWG No.</td> <td>REV</td> </tr> <tr> <td>D</td> <td>CD RL-13003</td> <td>25</td> </tr> </table>	SIZE	DWG No.	REV	D	CD RL-13003	25
DRAWN	DATE																							
MSM	8/25/97																							
CHECKED	DATE																							
TM	03/21/13																							
APPROVED	DATE																							
TM	03/21/13																							
SIZE	DWG No.	REV																						
D	CD RL-13003	25																						