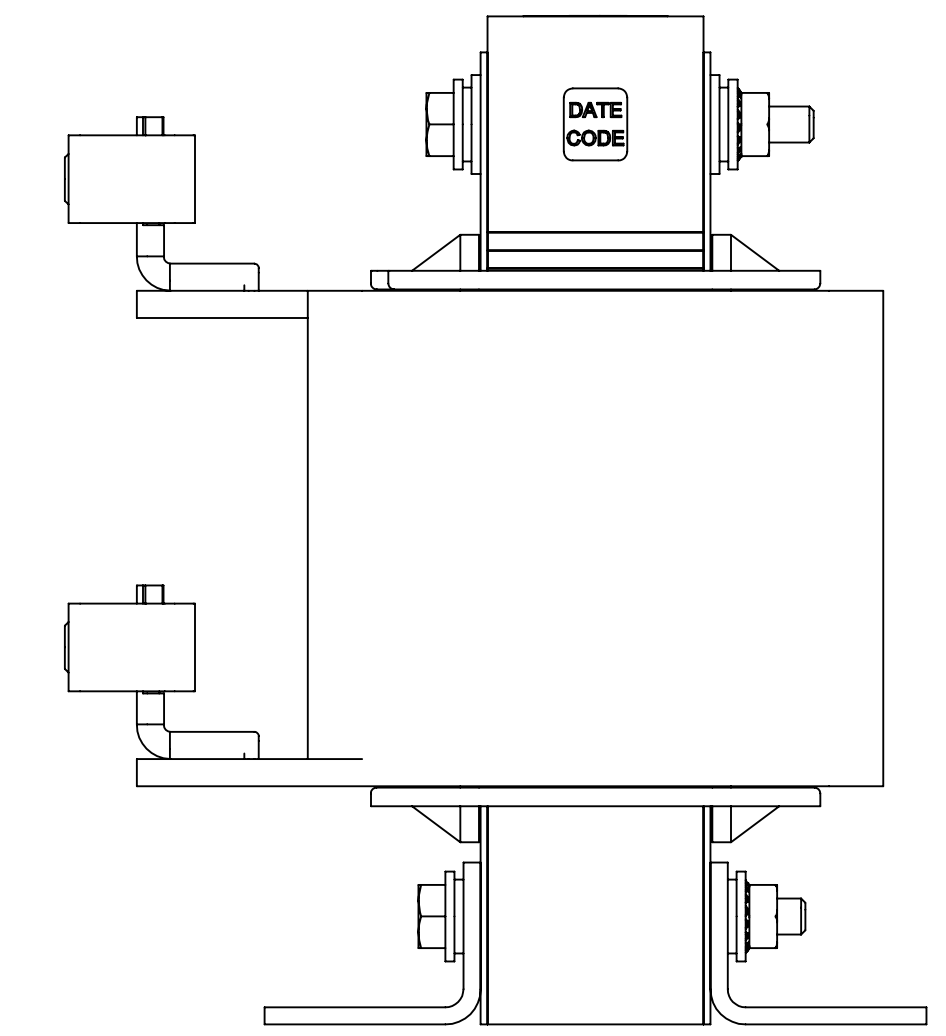
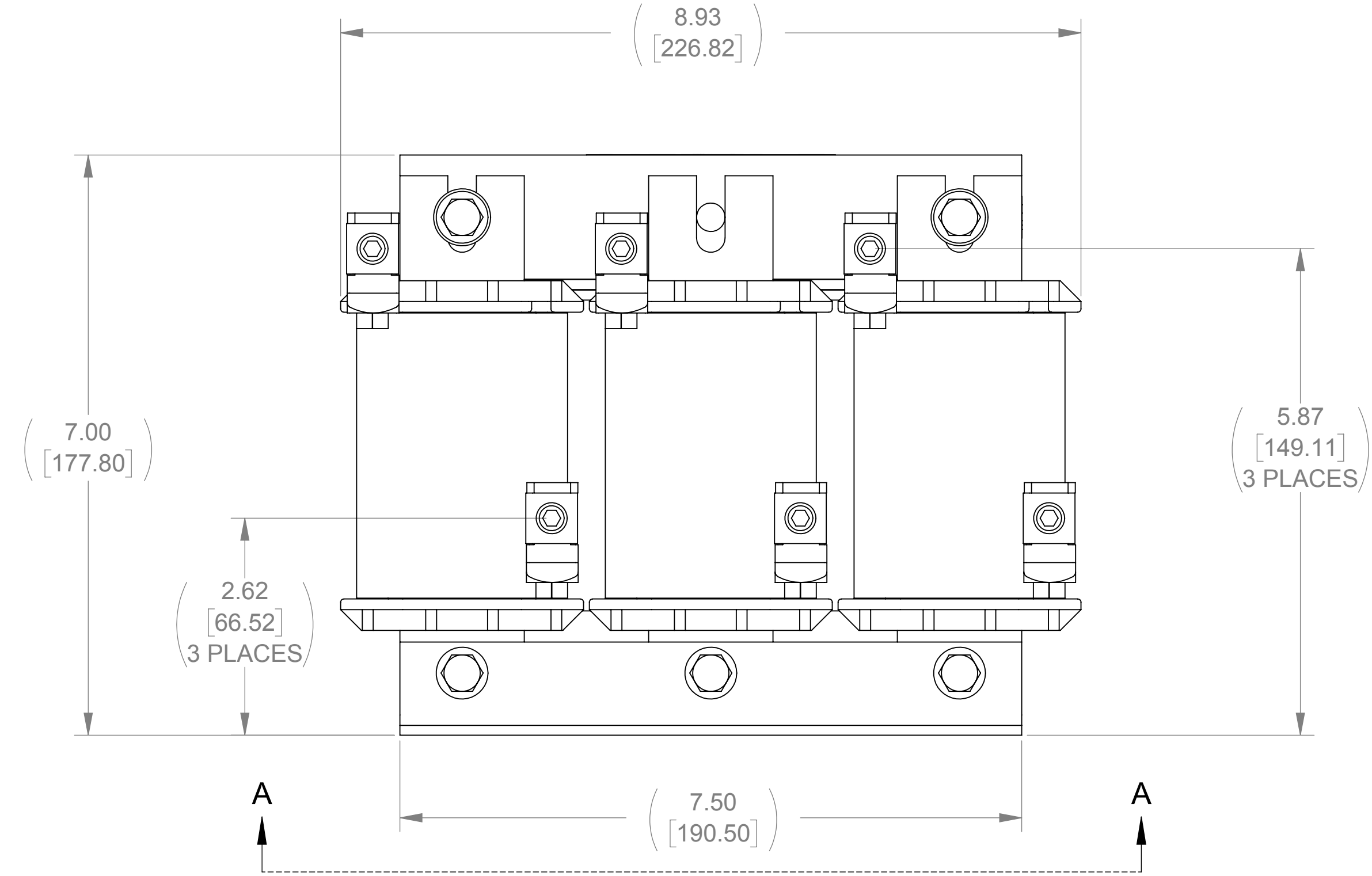
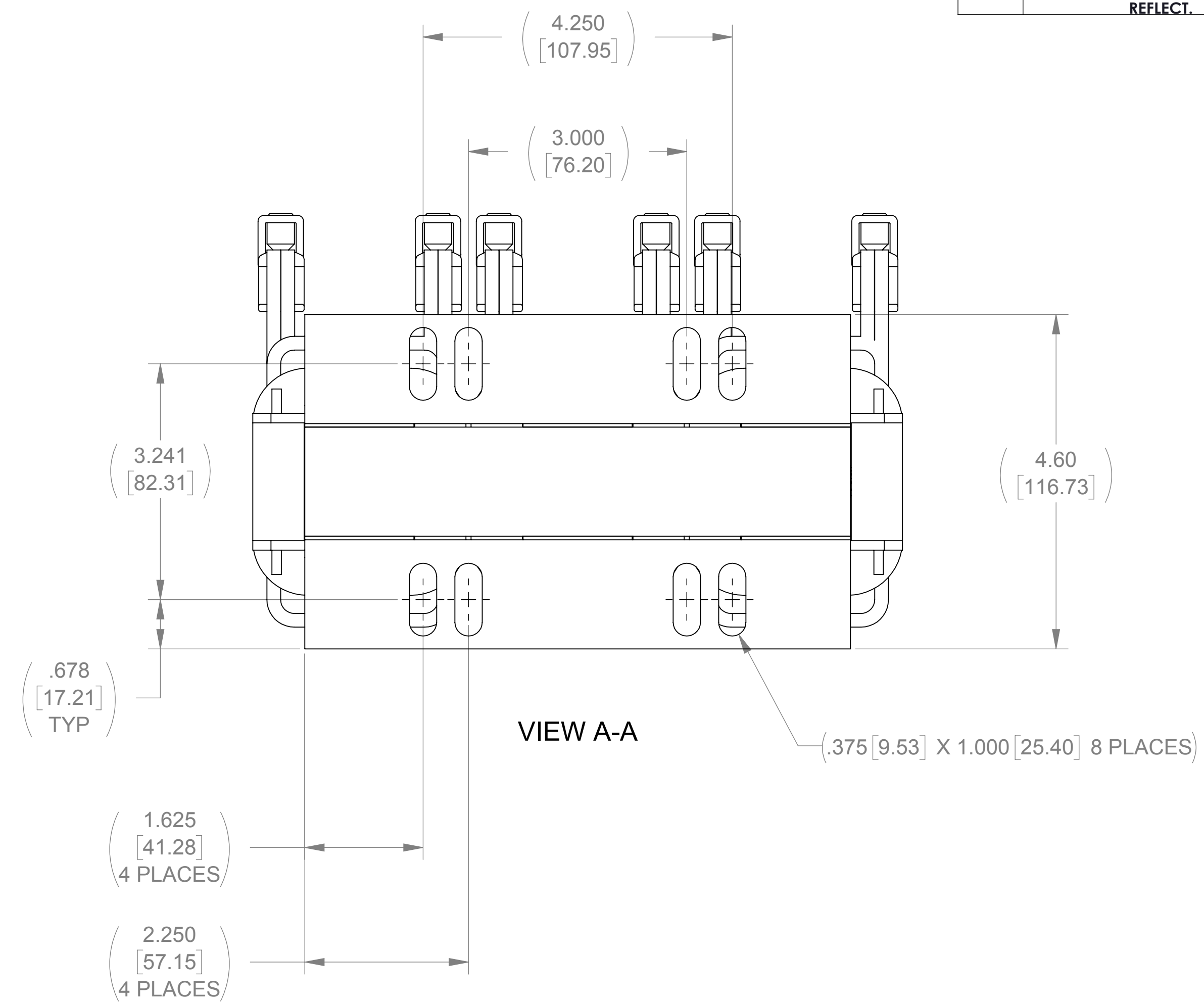
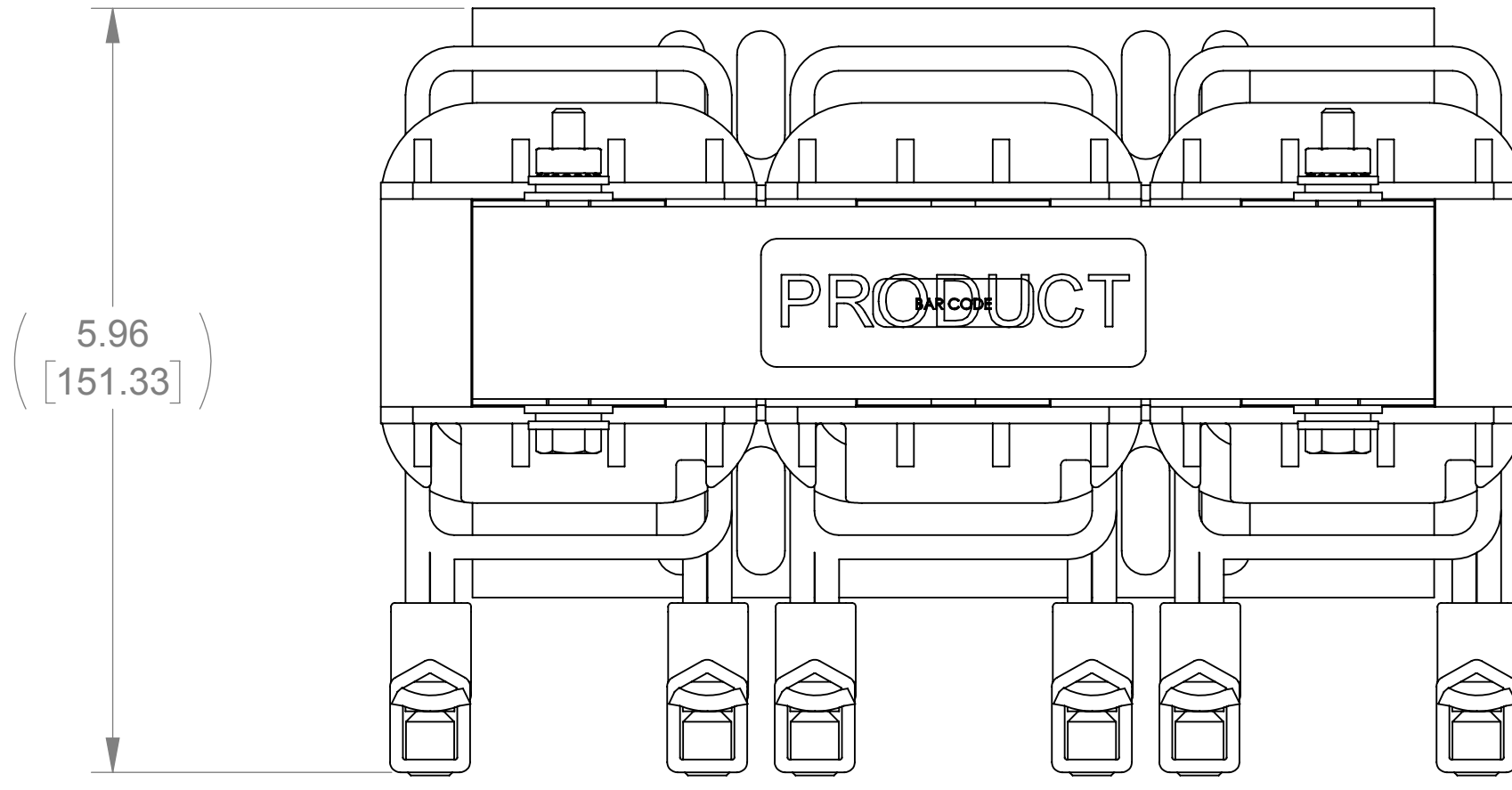


WEIGHT (LBS)	INDUCTANCE	LOSS (WATTS)
29	0.15 mH	94

ECO No	DESCRIPTION	REV BY	DATE
M8988	UPDATE COIL/LUG ORIENTATION. CHANGE LUG DIMENSIONS TO REFLECT.	RT	02/05/14



- NOTES:  
 1. TERMINAL SCREW TORQUE:  
 6-4 (45 IN-LBS MAX)  
 2-0 (50 IN-LBS MAX)  
 2. WIRE RANGE: 6-0 AWG

THE COMPONENT, PART OR ASSEMBLY DESCRIBED IN THIS DOCUMENT MUST COMPLY WITH THE EU (EUROPEAN UNION) DIRECTIVE RoHS CONTAINS <0.1% OF ANY SVHC BY WEIGHT PER REACH REGULATION		<b>MATERIAL</b>		<b>CONFIDENTIAL AND PROPRIETARY INFORMATION</b> THIS DOCUMENT CONTAINS CONFIDENTIAL AND PROPRIETARY INFORMATION OF MTE CORPORATION AND MAY NOT BE USED, COPIED OR DISCLOSED TO OTHERS EXCEPT WITH THE AUTHORIZED WRITTEN PERMISSION OF MTE CORPORATION	
UNLESS OTHERWISE SPECIFIED DIMENSIONS ARE IN INCHES [MM] TOLERANCES ARE: ANGLES: ± 1° 1 PLACE .X: ± .1 [2.5] 2 PLACE .XX: ± .03 [0.76] 3 PLACE .XXX: ± .010 [0.254]		 N83 W13330 Leon Road Menomonee Falls, WI 53051 USA 800.455.4683 262.253.8200		<b>DESCRIPTION</b> LINE/LOAD REACTOR	
DRAWN MDG CHECKED EM APPROVED EM		DATE 9/30/05 DATE 02/05/14 DATE 02/05/14		SIZE D DWG No. CD RL-10001 SCALE 1:2	
				REV 16 SHEET 1 OF 1	