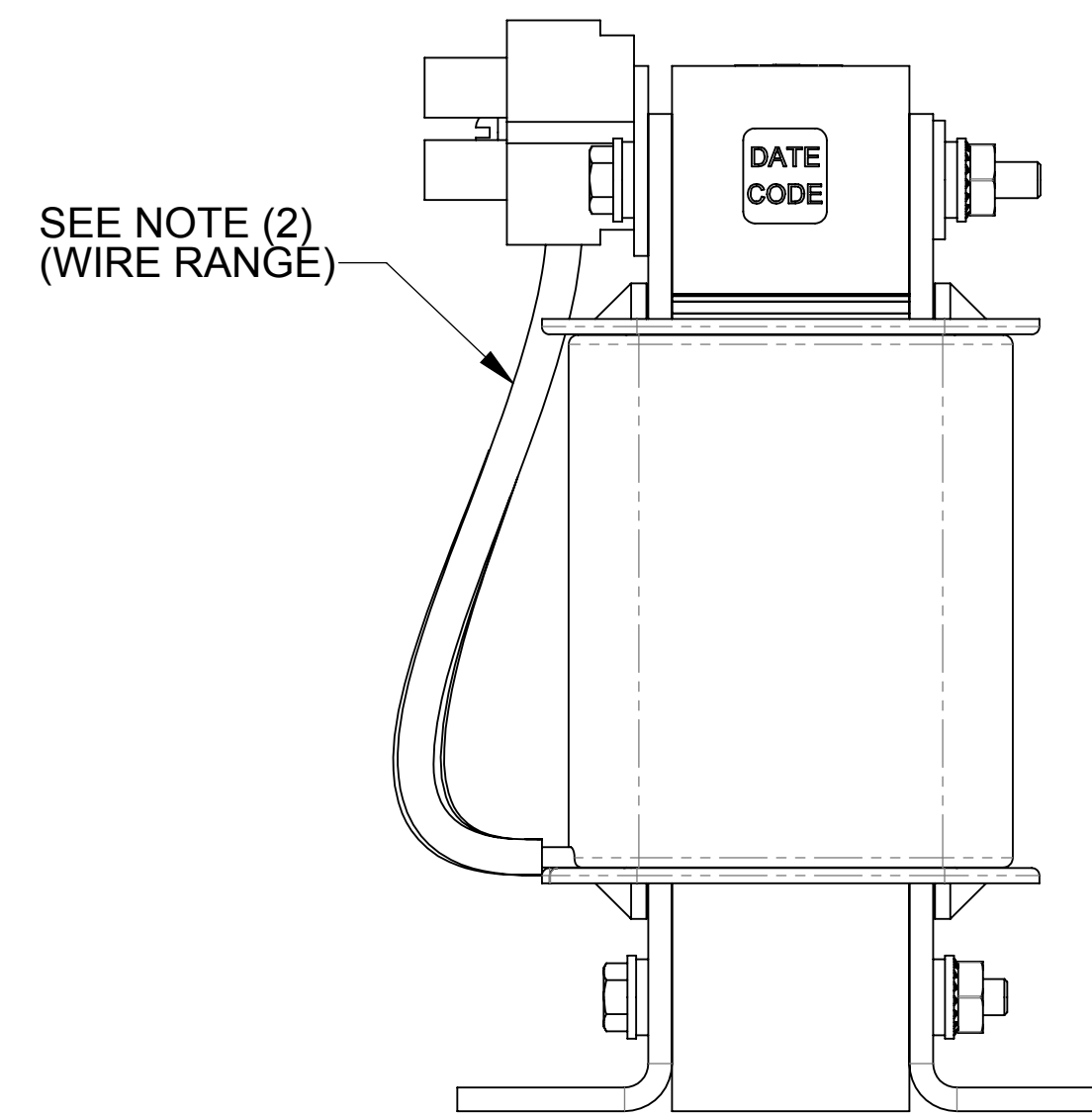
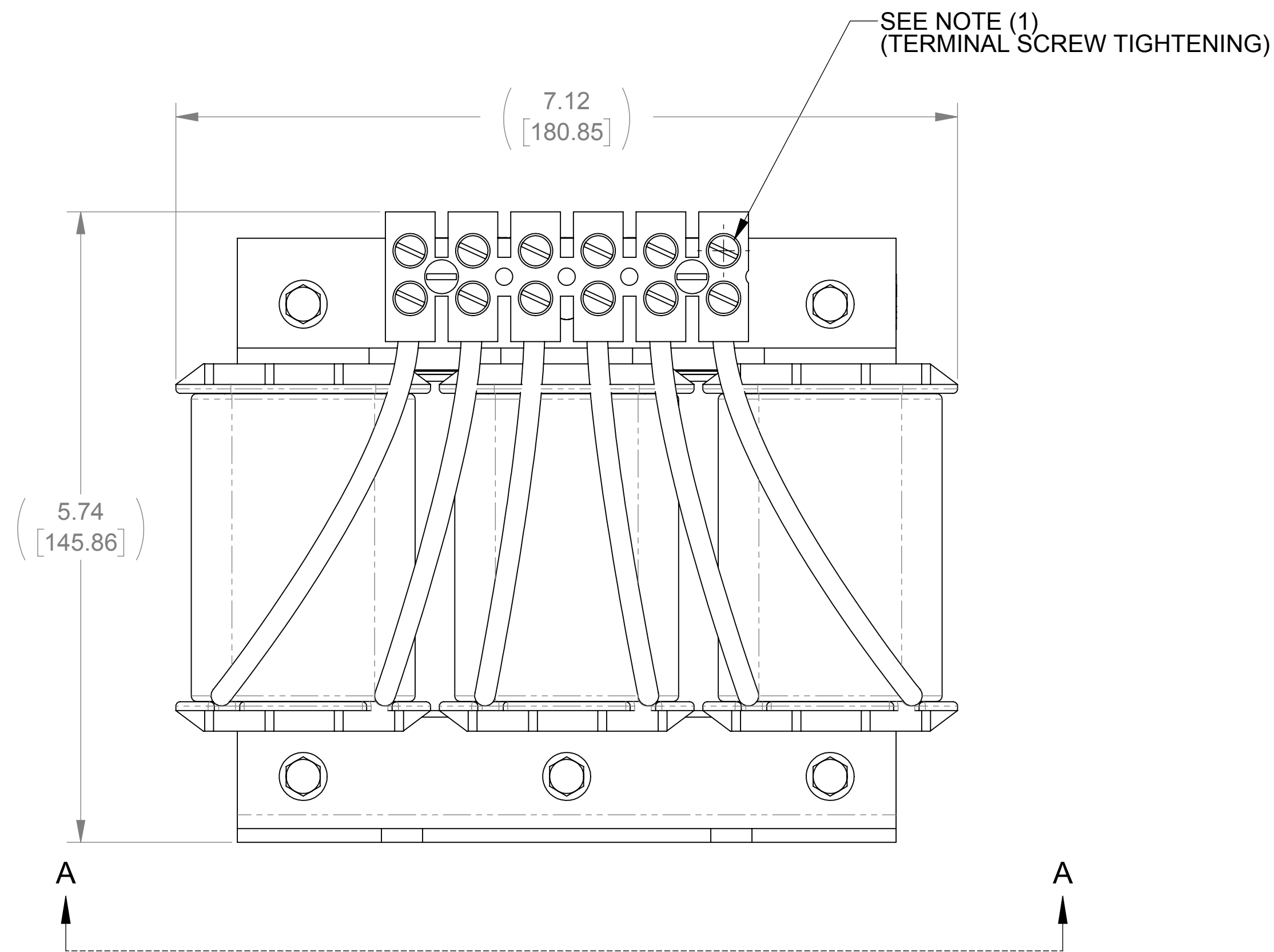
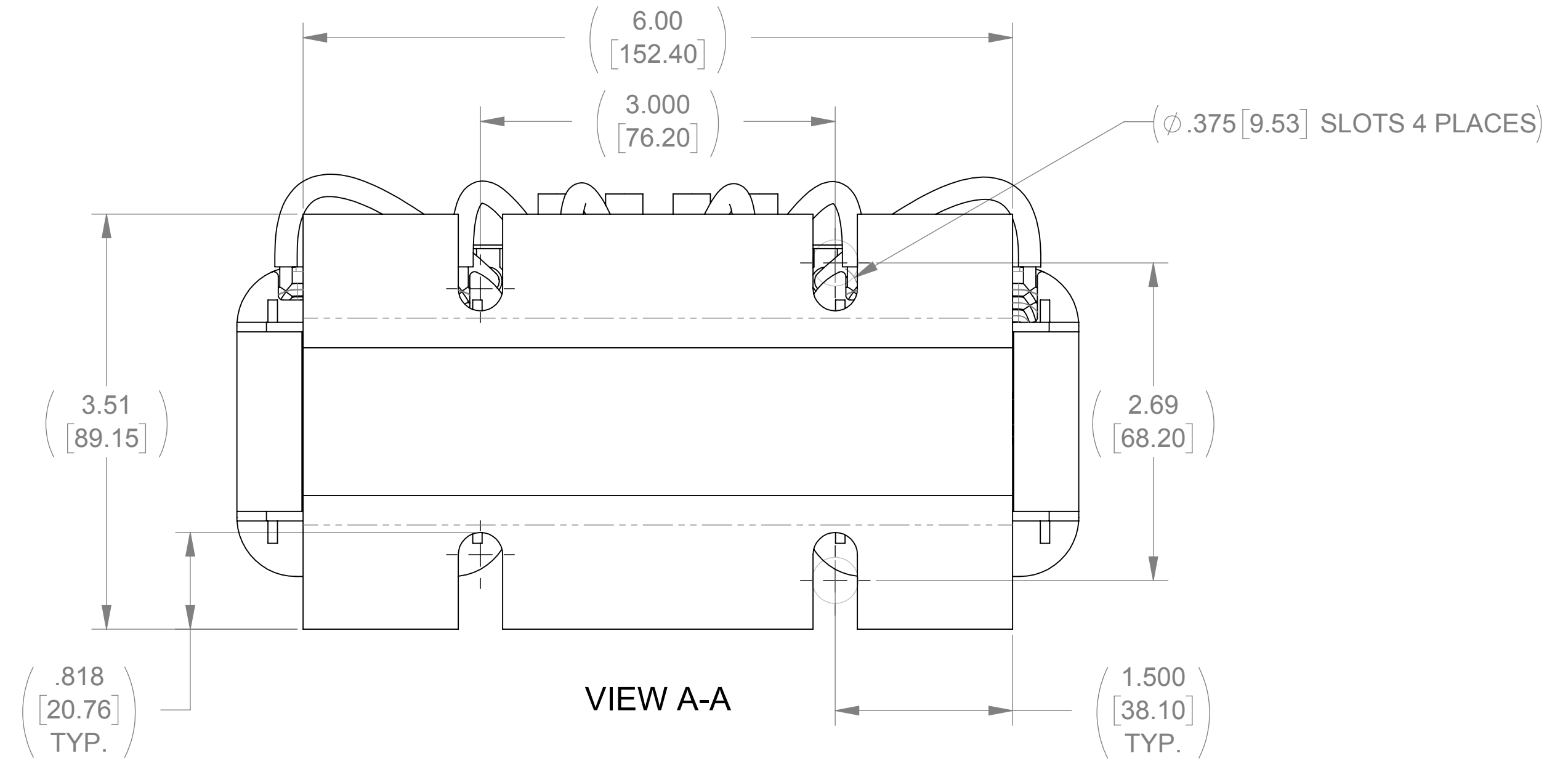
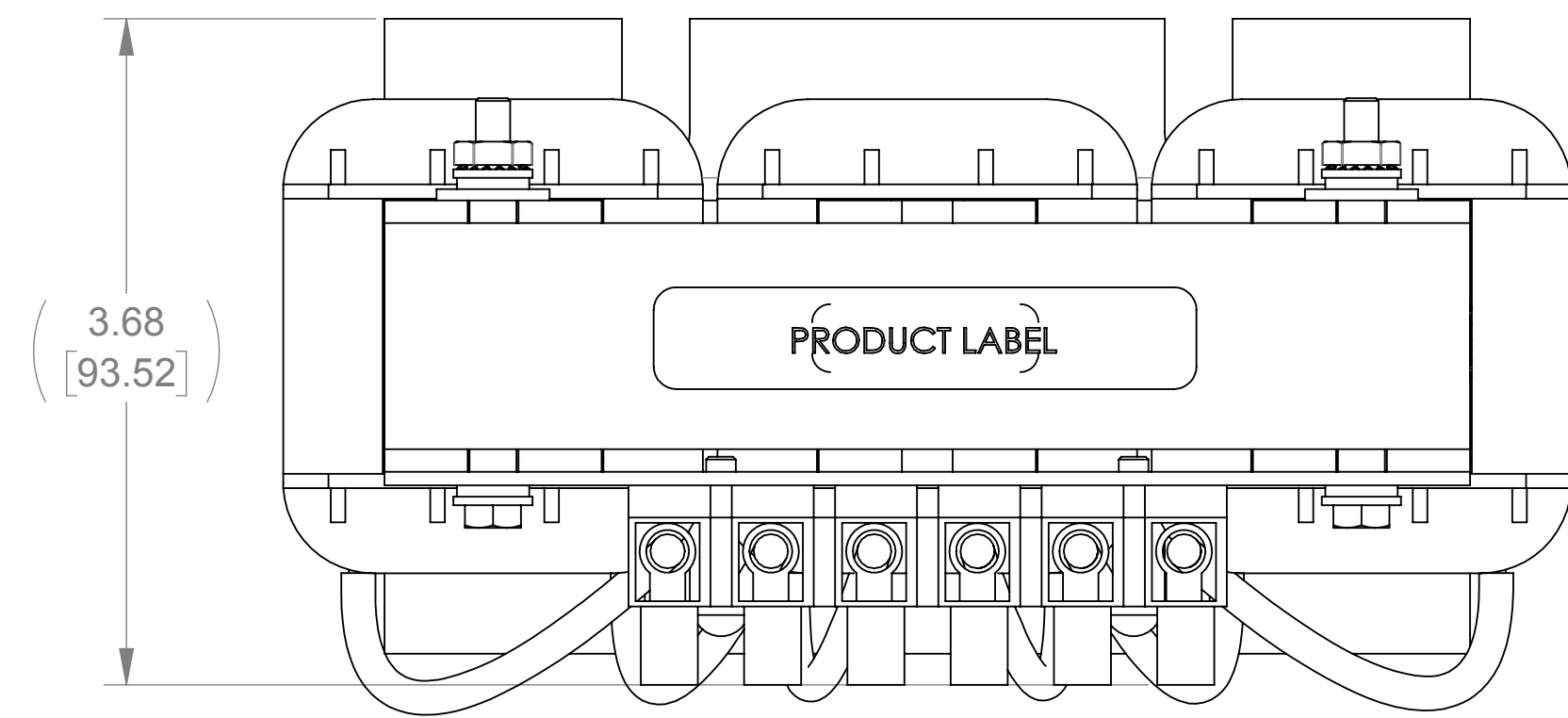


WEIGHT (LBS)	INDUCTANCE	LOSS (WATTS)
16	2.5 mH	43

ECO No	DESCRIPTION	REV BY	DATE
M8353	REDRAW IN SOLIDWORKS	JP	01/11/13



NOTES:

1. TERMINAL SCREW TIGHTENING TORQUE: 16 in-lbs MAX
2. WIRE RANGE: 14 - 4 AWG

THE COMPONENT, PART OR ASSEMBLY DESCRIBED IN THIS DOCUMENT MUST COMPLY WITH THE EU (EUROPEAN UNION) DIRECTIVE RoHS CONTAINS <0.1% OF ANY SVHC BY WEIGHT PER REACH REGULATION		MATERIAL		CONFIDENTIAL AND PROPRIETARY INFORMATION THIS DOCUMENT CONTAINS CONFIDENTIAL AND PROPRIETARY INFORMATION OF MTE CORPORATION AND MAY NOT BE USED, COPIED OR DISCLOSED TO OTHERS EXCEPT WITH THE AUTHORIZED WRITTEN PERMISSION OF MTE CORPORATION	
UNLESS OTHERWISE SPECIFIED DIMENSIONS ARE IN INCHES [MM] TOLERANCES ARE: ANGLES: ± 1° 1 PLACE .X: ± .1 [2.5] 2 PLACE .XX: ± .03 [0.76] 3 PLACE .XXX: ± .010 [0.254]		 N83 W13330 Leon Road Menomonee Falls, WI 53051 USA 800.455.4683 262.253.8200		DESCRIPTION 3 PHASE REACTOR	
DRAWN RD	DATE 06/29/93	CHECKED TM	DATE 01/17/13	SIZE D	DWG No. CD RL-01803
APPROVED TM	DATE 01/17/13	REV 16		SCALE 1:1	SHEET 1 OF 1