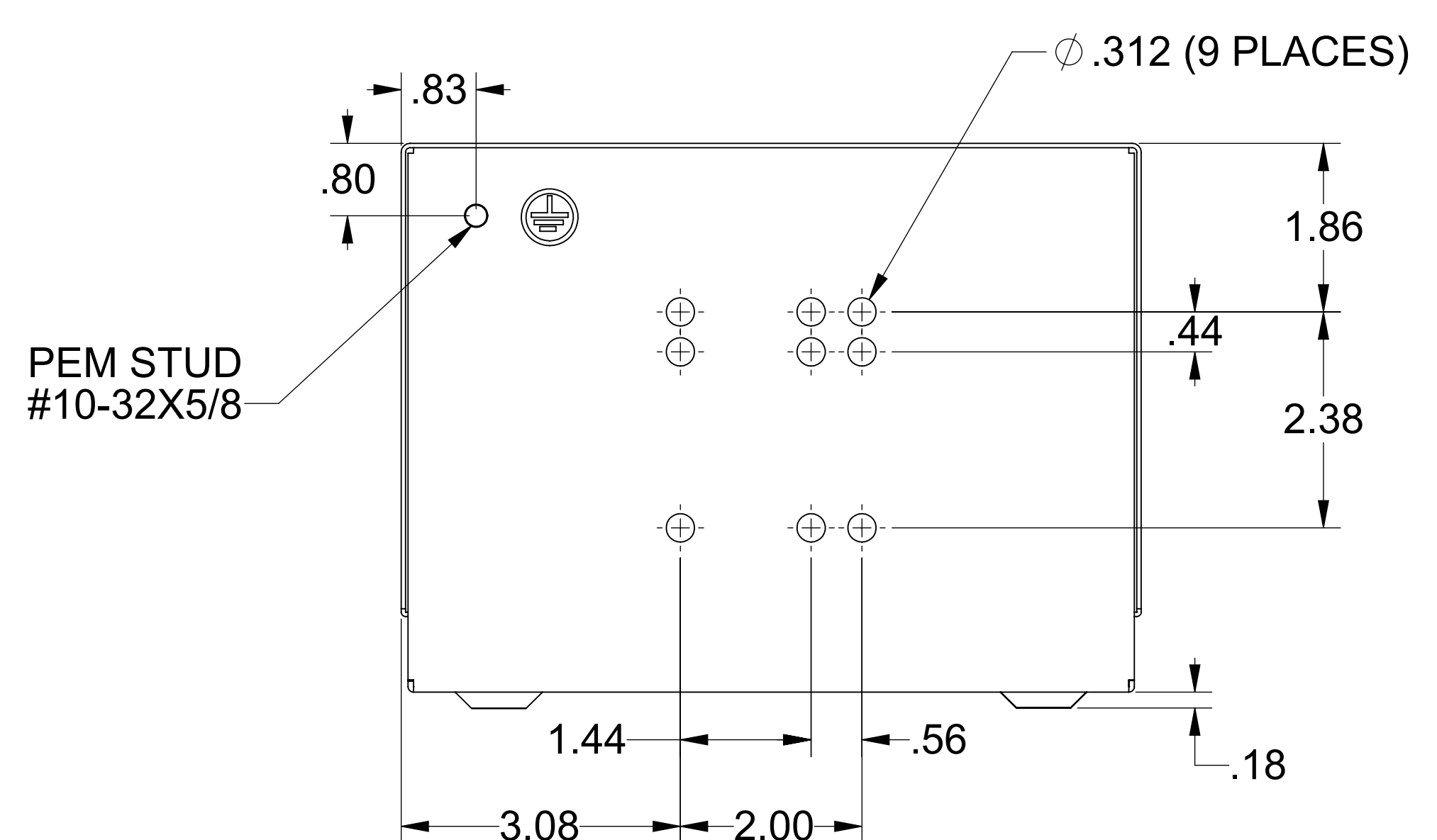
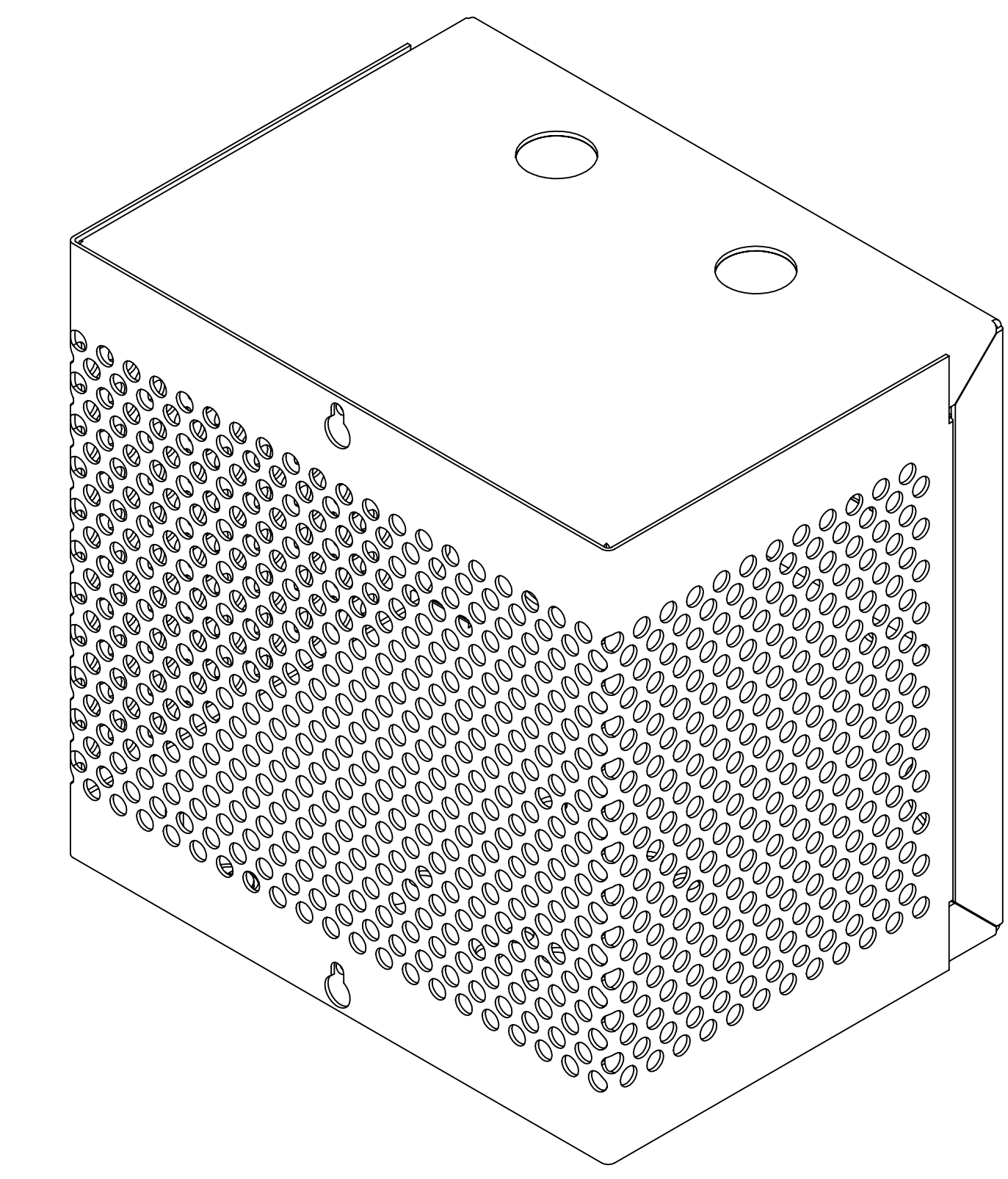
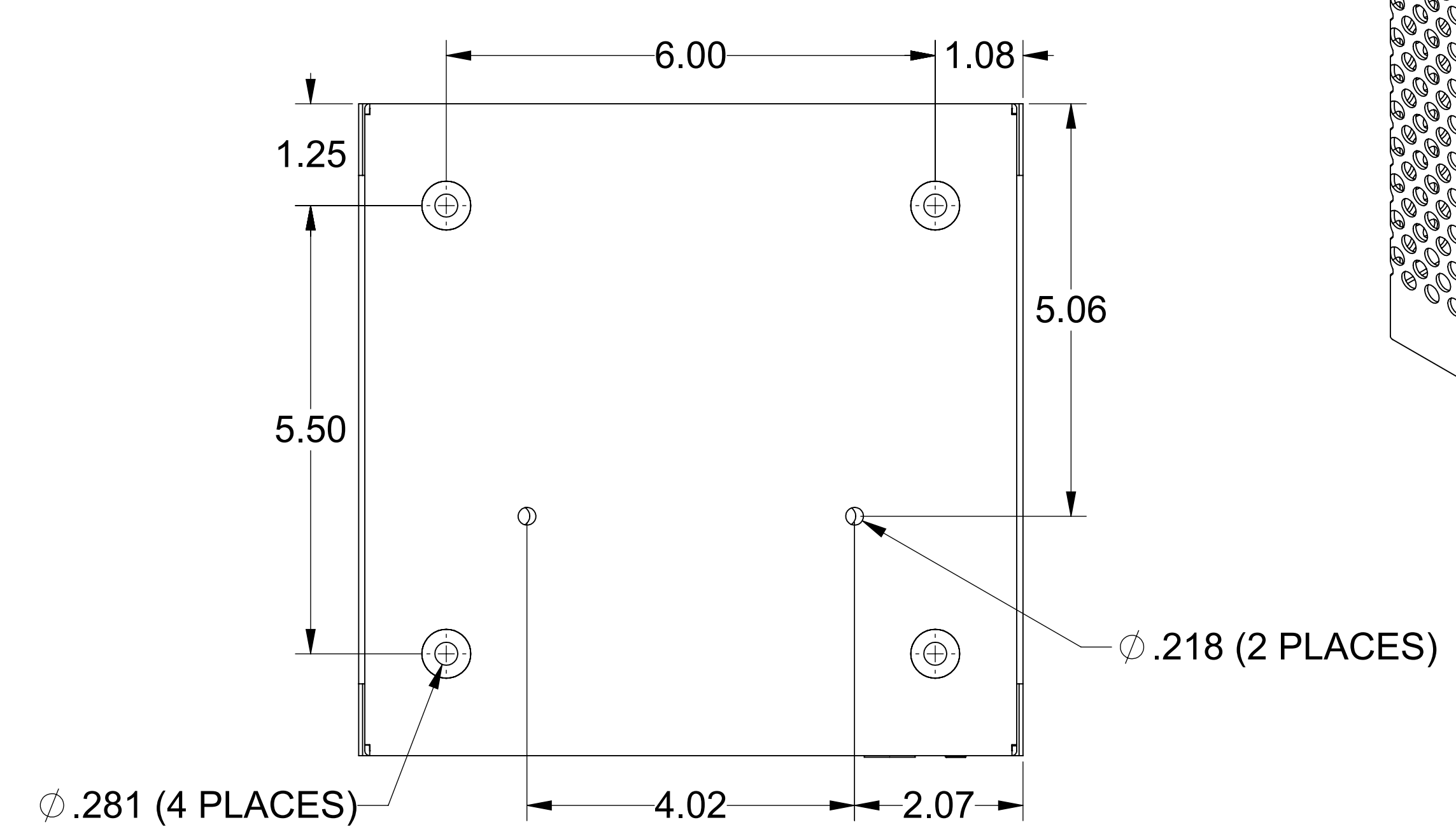
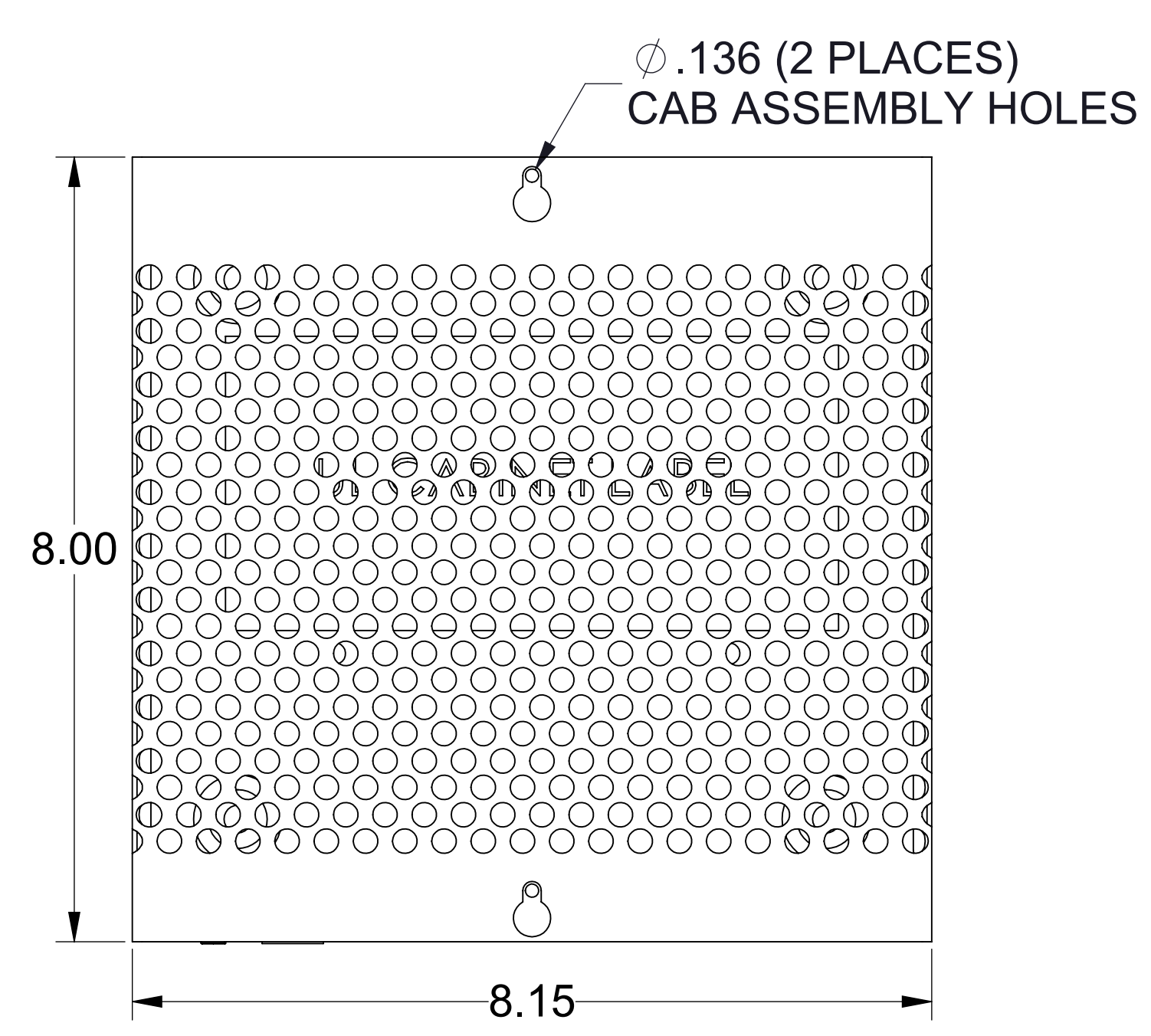
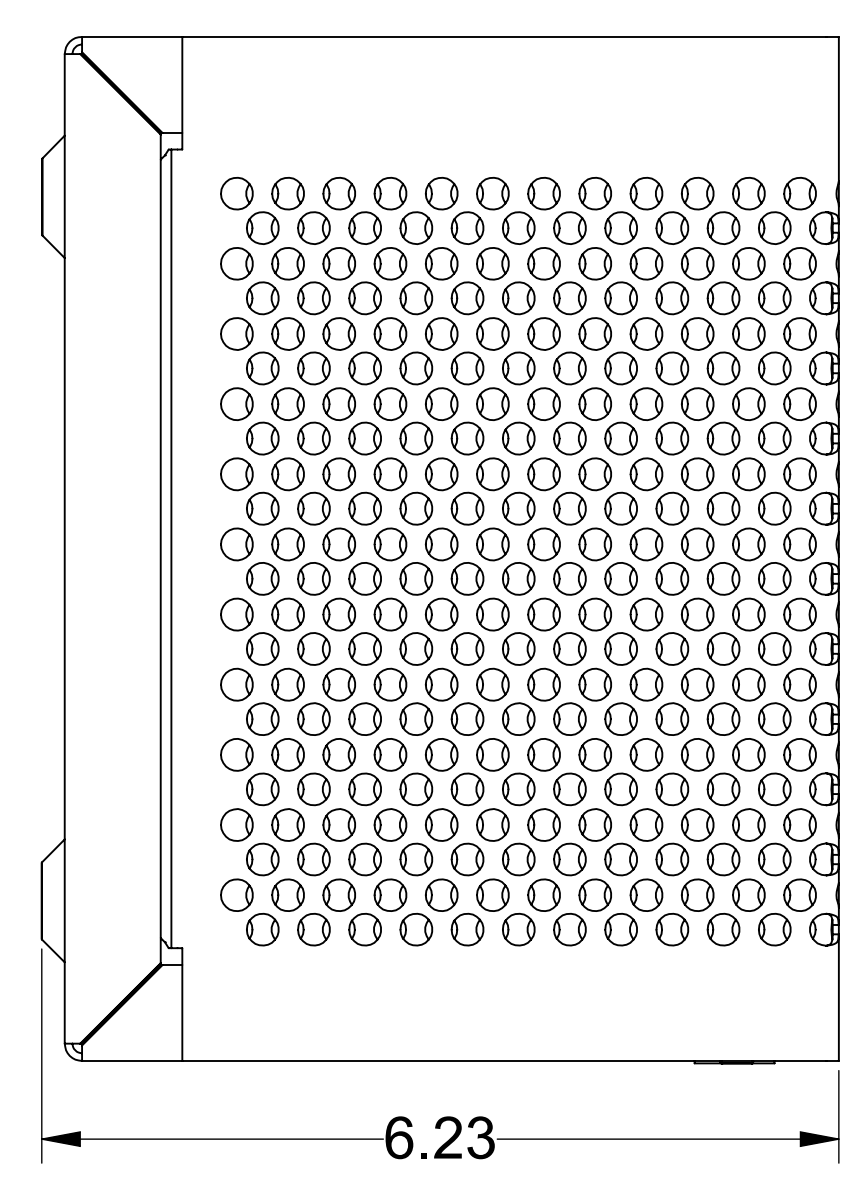
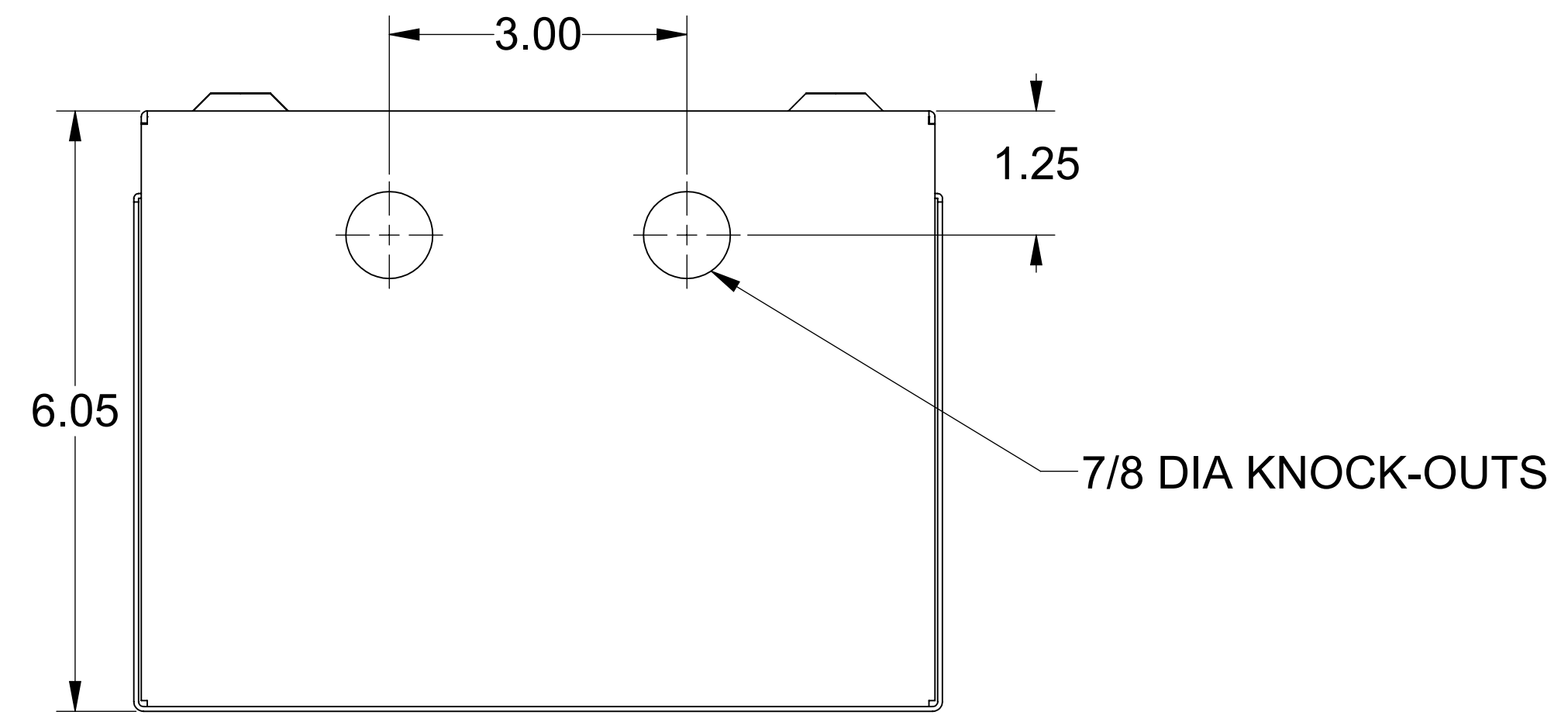



ECO No	DESCRIPTION	REV BY	DATE
M11988	UPDATED HARDWARE QTY.	JD	09/11/19



- HARDWARE -LOCATED INSIDE ENCLOSURE**
- BAG, CLEAR PLASTIC, 4X6X.002 1M/BOX QTY 1
 - NUT 1/4-20 HEX STEEL ZINC PLATED QTY 4
 - SCREW 1/4-20X3/4 HEX STEEL ZINC PLATED QTY 4
 - WASHER 1/4 FLAT STEEL ZINC PLATED QTY 8
 - WASHER 1/4 SPLITLOCK STEEL ZINC PLATED QTY 4
 - WASHER #10 FLAT STEEL ZINC PLATED QTY 8
 - WASHER #10 SPLITLOCK STEEL ZINC PLATED QTY 4
 - NUT #10-32 HEX STEEL ZINC PLATED QTY 4
 - SCREW #10-32X3/4 RH STEEL ZINC PLATED QTY 4
 - SCREW #8-32X3/4 RH SLFT STL ZINC PLATED QTY 2

19

THE COMPONENT, PART OR ASSEMBLY DESCRIBED IN THIS DOCUMENT MUST COMPLY WITH THE EU (EUROPEAN UNION) DIRECTIVE RoHS2 CONTAINS <0.1% OF ANY SVHC BY WEIGHT PER REACH REGULATION		MATERIAL		CONFIDENTIAL AND PROPRIETARY INFORMATION THIS DOCUMENT CONTAINS CONFIDENTIAL AND PROPRIETARY INFORMATION OF MTE CORPORATION AND MAY NOT BE USED, COPIED OR DISCLOSED TO OTHERS EXCEPT WITH THE AUTHORIZED WRITTEN PERMISSION OF MTE CORPORATION	
UNLESS OTHERWISE SPECIFIED DIMENSIONS ARE IN INCHES [MM] TOLERANCES ARE: ANGLES: ± 1° 1 PLACE .X: ± .1 [2.5] 2 PLACE .XX: ± .03 [0.76] 3 PLACE .XXX: ± .010 [0.254]		 N83 W13330 Leon Road Menomonee Falls, WI 53051 USA 800.455.4693 262.253.8200		DESCRIPTION CUSTOMER DRAWING	
DRAWN RH	DATE 08/08/12	CHECKED JD	DATE 09/11/19	SIZE D	DWG No. CD CAB-8
APPROVED AK	DATE 09/17/19	SCALE 1:1.5	REV 19	SHEET 1 OF 1	