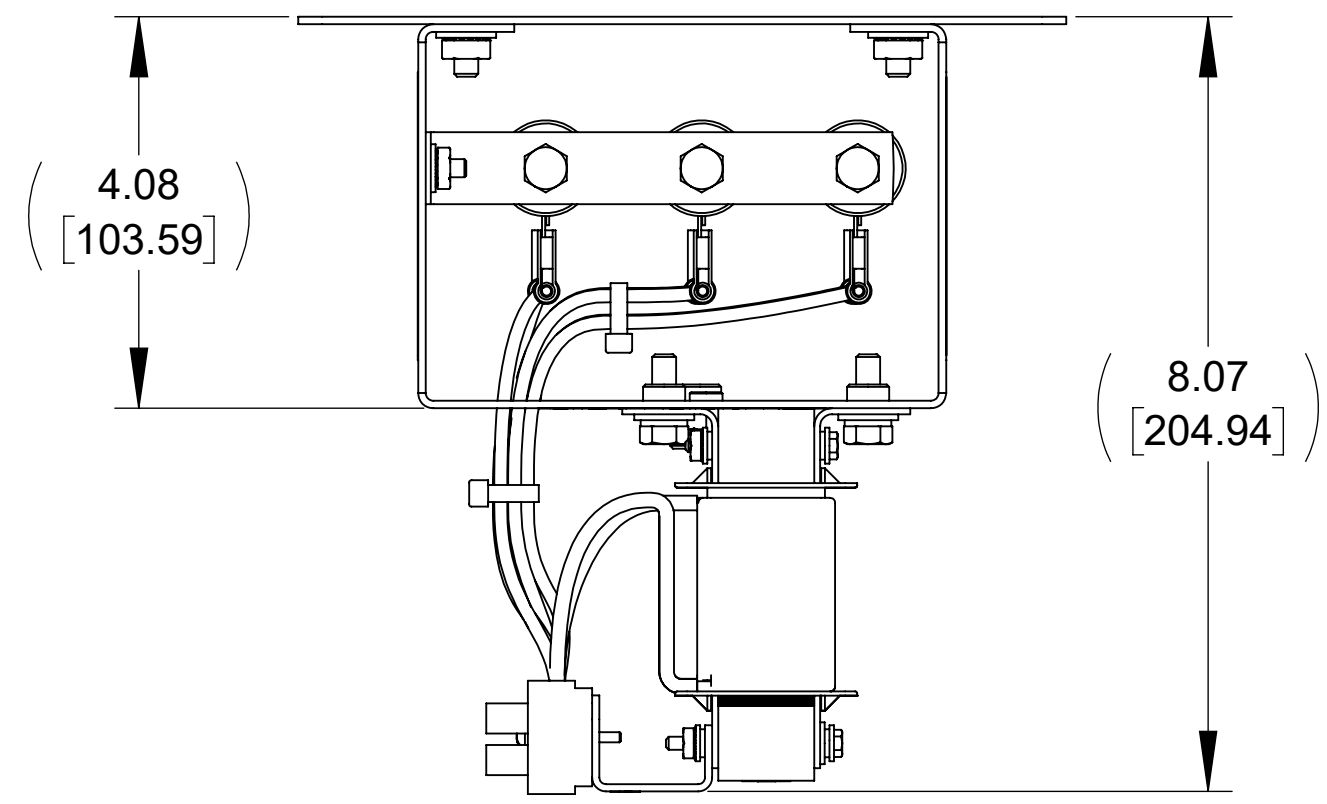
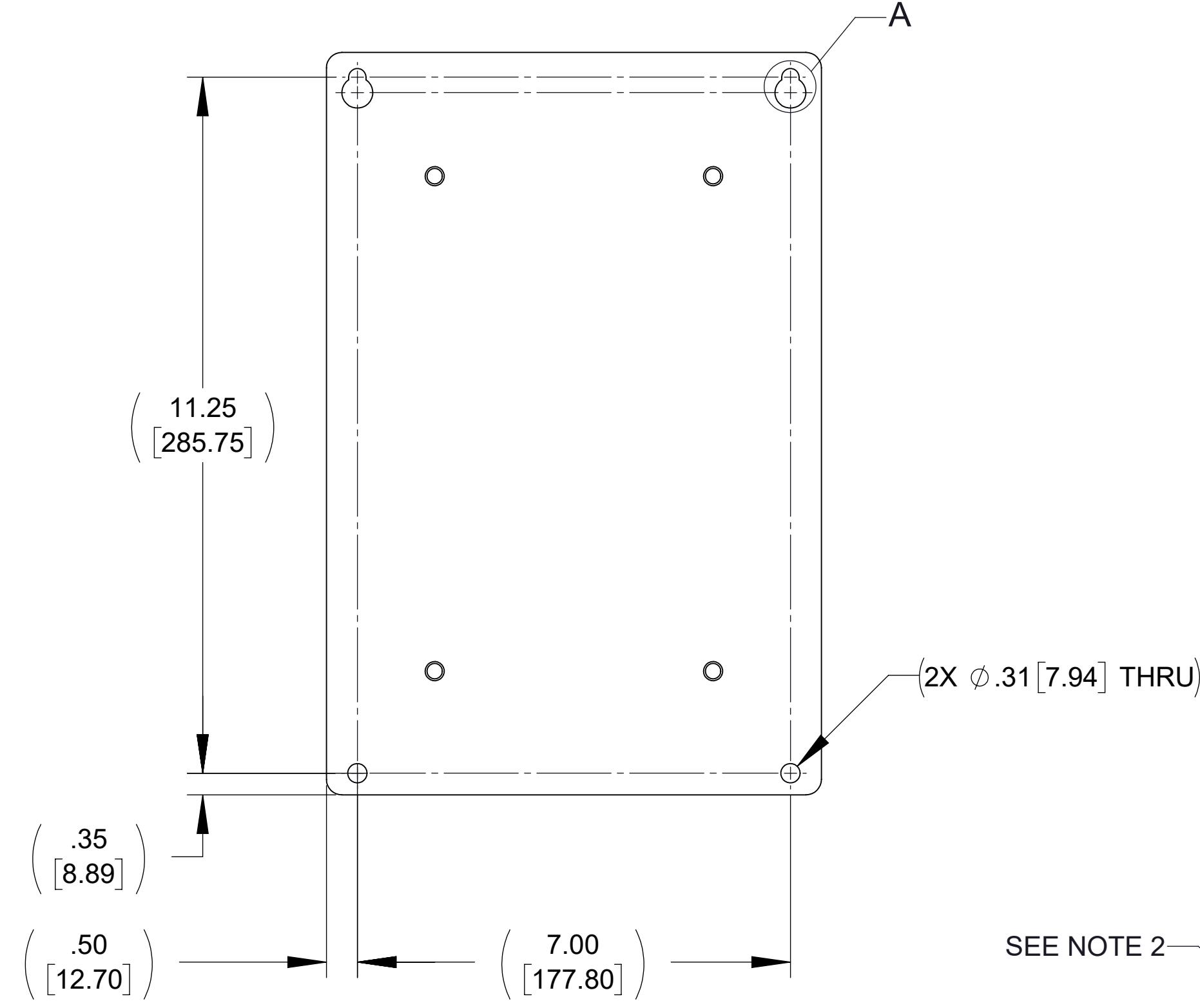


APPROX. WEIGHT (LBS)
10

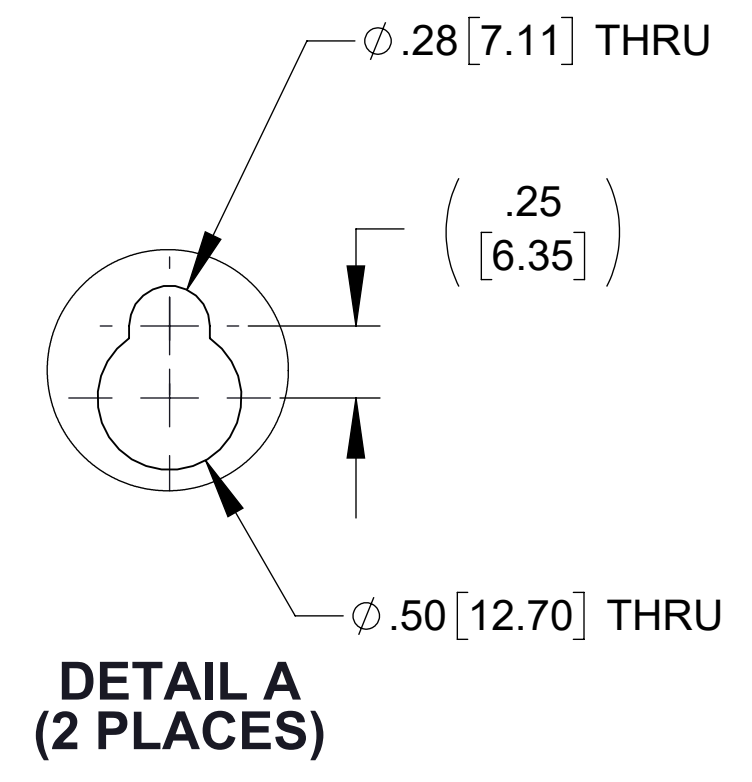
ECO No	DESCRIPTION	REV BY	DATE
M14094	ALL LEADS CHANGED TO BLACK	JD	11/12/21



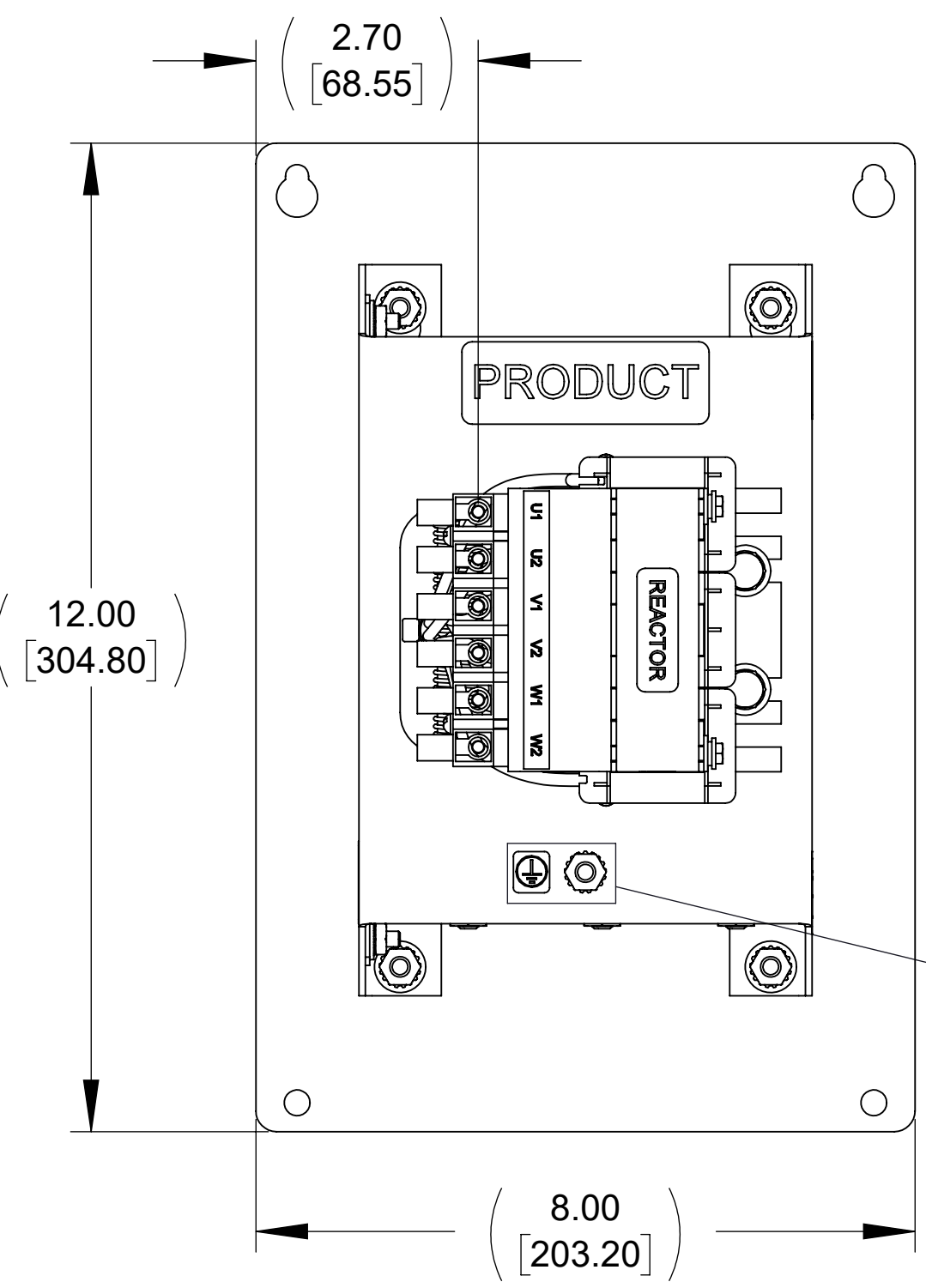
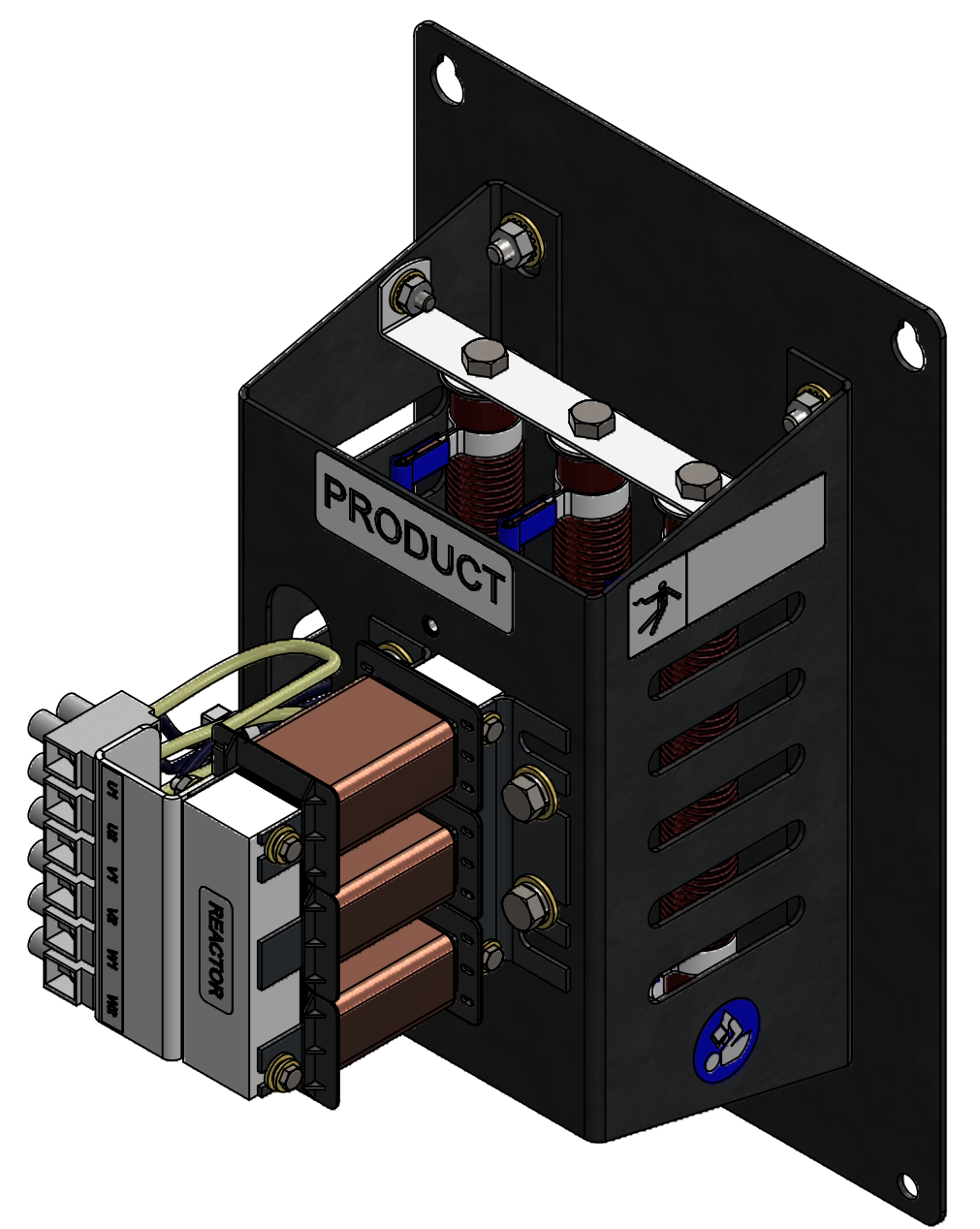
TOP VIEW



BACK VIEW

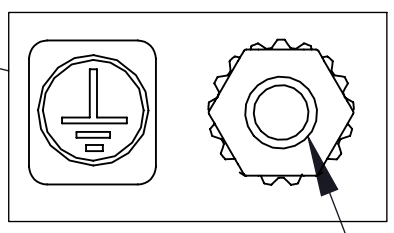


DETAIL A (2 PLACES)

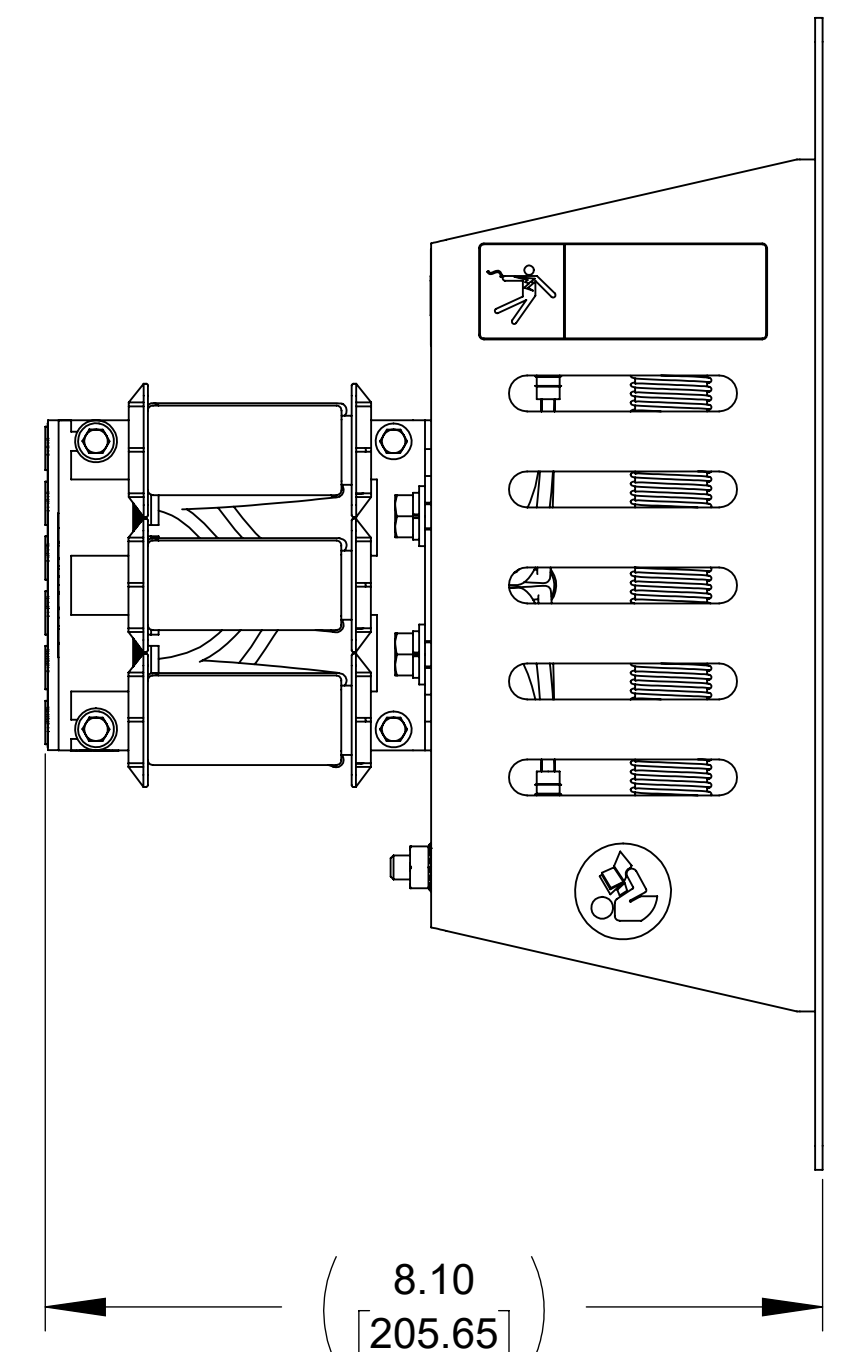


FRONT VIEW

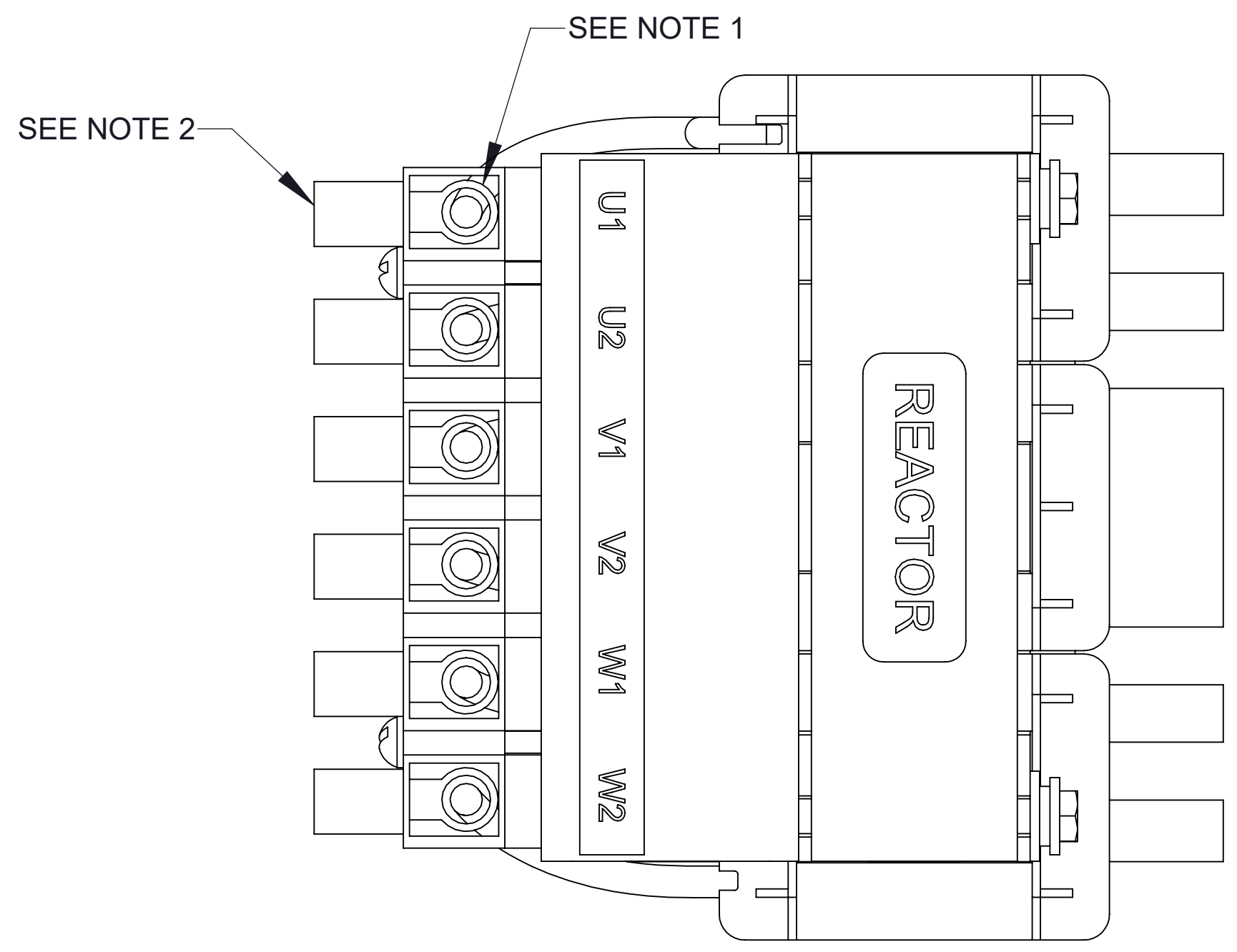
MOUNTING ORIENTATION → UP



1/4-20 GROUND STUD



SIDE VIEW



CUSTOMER CONNECTION DETAIL VIEW

NOTES:

1. TERMINAL WIRE RANGE: 4-16 AWG.
2. TERMINAL SCREW TIGHTENING TORQUE: 16 IN/LBS.
3. REFER TO USER MANUAL FOR COMPLETE INSTALLATION INSTRUCTIONS.

THE COMPONENT, PART OR ASSEMBLY DESCRIBED IN THIS DOCUMENT MUST COMPLY WITH THE EU (EUROPEAN UNION) DIRECTIVE RoHS2		DRAWN BY: KV	DATE 07/08/21	CONFIDENTIAL AND PROPRIETARY INFORMATION THIS DOCUMENT CONTAINS CONFIDENTIAL AND PROPRIETARY INFORMATION OF MTE CORPORATION AND MAY NOT BE USED, COPIED OR DISCLOSED TO OTHERS EXCEPT WITH THE AUTHORIZED WRITTEN PERMISSION OF MTE CORPORATION	
CONTAINS <0.1% OF ANY SVHC BY WEIGHT PER REACH REGULATION		CHECKED BY: JD	DATE 11/12/21	DESCRIPTION DVDT E SERIES 45A 208-600V 2-4kHz FILTER, OPEN PANEL	
UNLESS OTHERWISE SPECIFIED DIMENSIONS ARE IN INCHES [MM] TOLERANCES ARE: ANGLES: ± 1° 1 PLACE .X: ± .1 [2.5] 2 PLACE .XX: ± .03 [0.76] 3 PLACE .XXX: ± .010 [0.254]		ME APPROVED BY: DP	DATE 11/12/21	SIZE D	DWG No. CD DVTP0045E
 N83 W13330 Leon Road Menomonee Falls, WI 53051 USA 800.455.4683 262.253.8200		RE APPROVED BY: PY	DATE 11/15/21	SCALE 1:2	REV 01
		SHEET 1 OF 1		Sheet1	