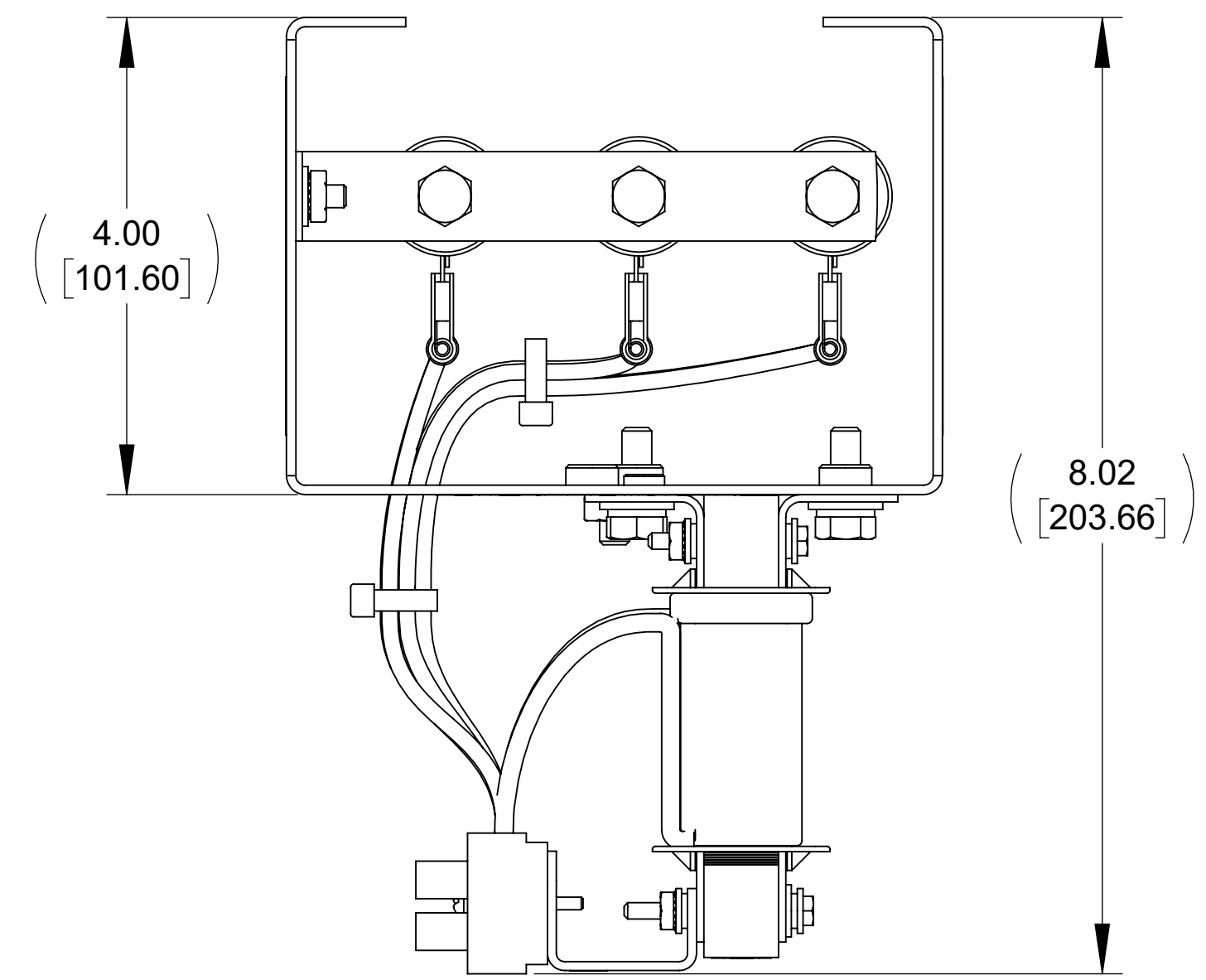
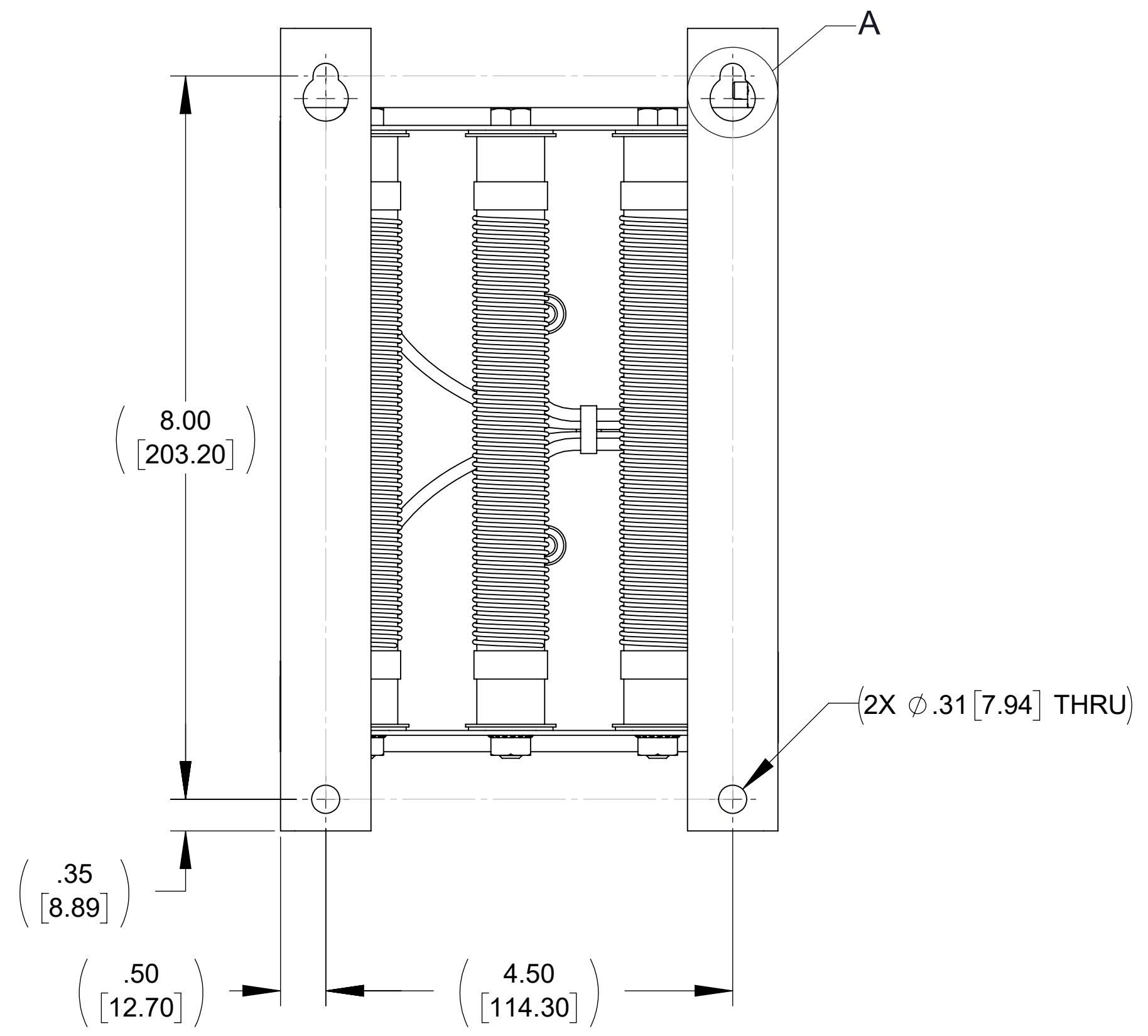


APPROX. WEIGHT (LBS)
7

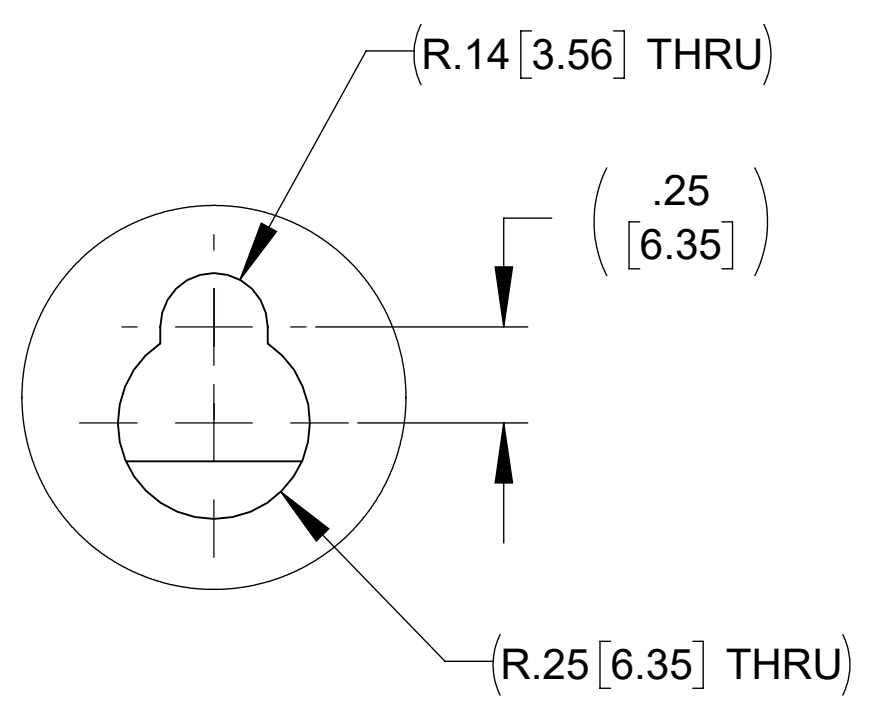
ECO No	DESCRIPTION	REV BY	DATE
M14094	ALL LEADS CHANGED TO BLACK	JD	11/12/21



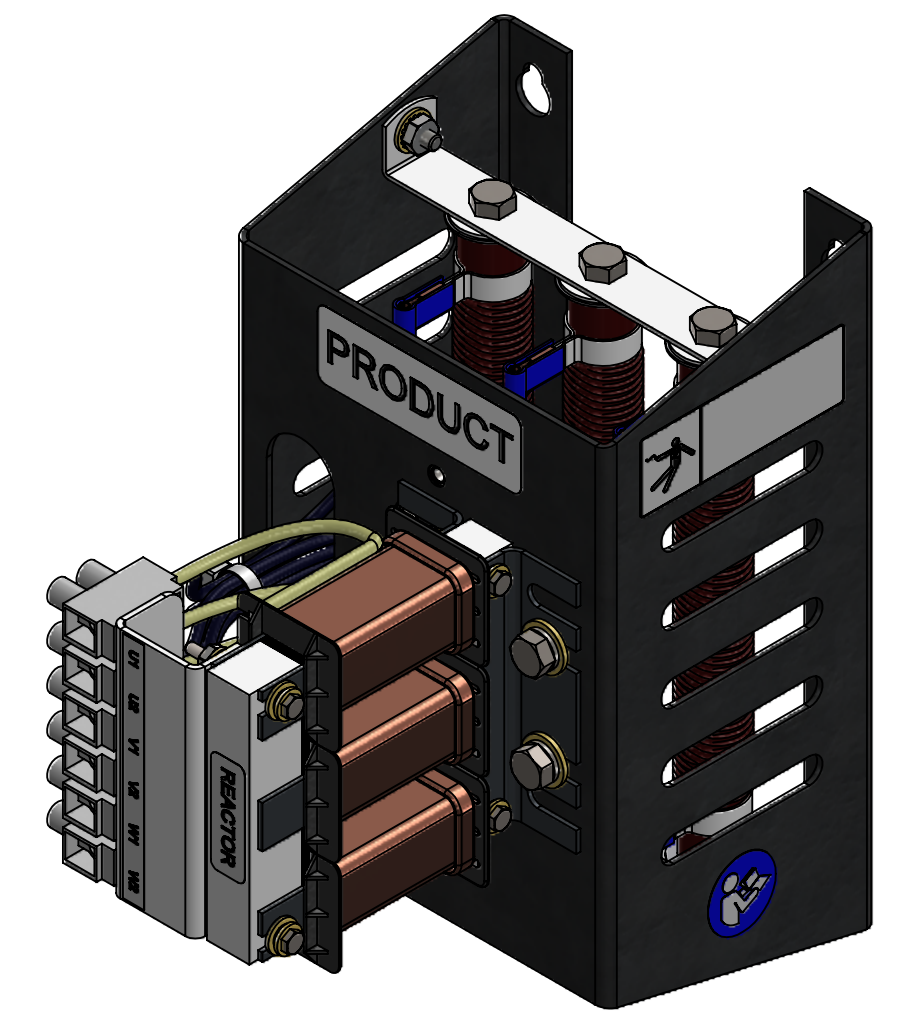
TOP VIEW



BACK VIEW

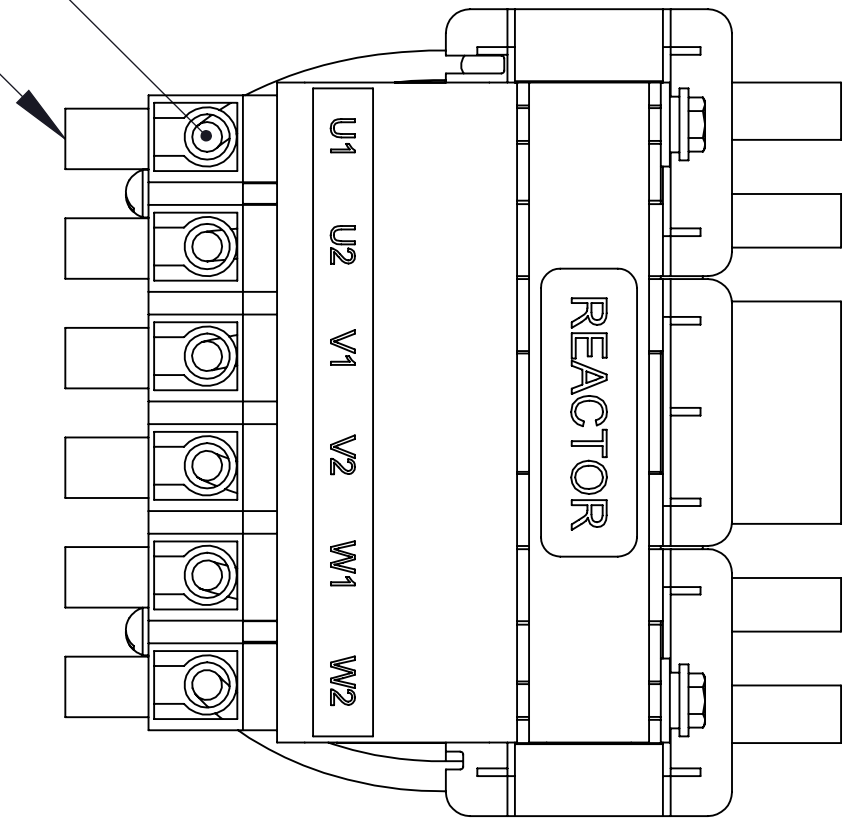


DETAIL A (2 PLACES)



SEE NOTE 1

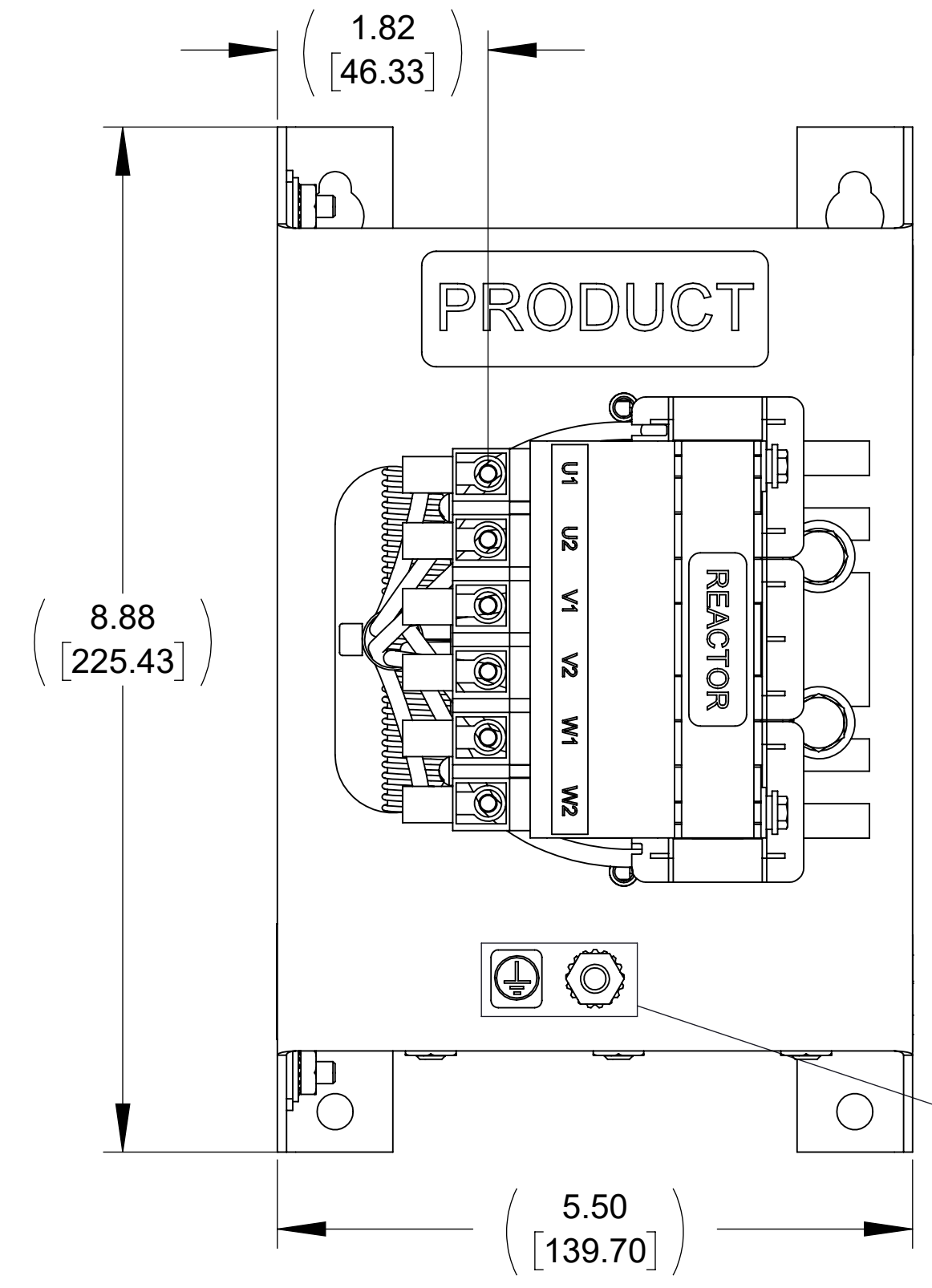
SEE NOTE 2



CUSTOMER CONNECTION DETAIL VIEW

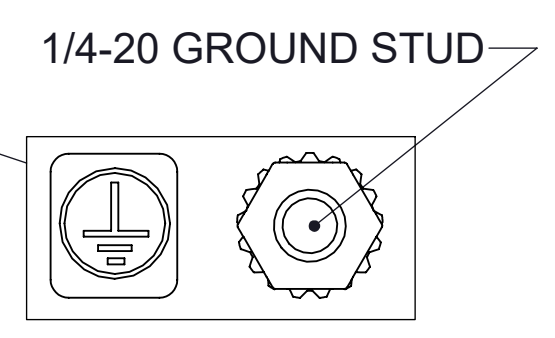
NOTES:

1. TERMINAL WIRE RANGE: 4-14 AWG.
2. TERMINAL SCREW TIGHTENING TORQUE: 16 INLBS.
3. REFER TO USER MANUAL FOR COMPLETE INSTALLATION INSTRUCTIONS.

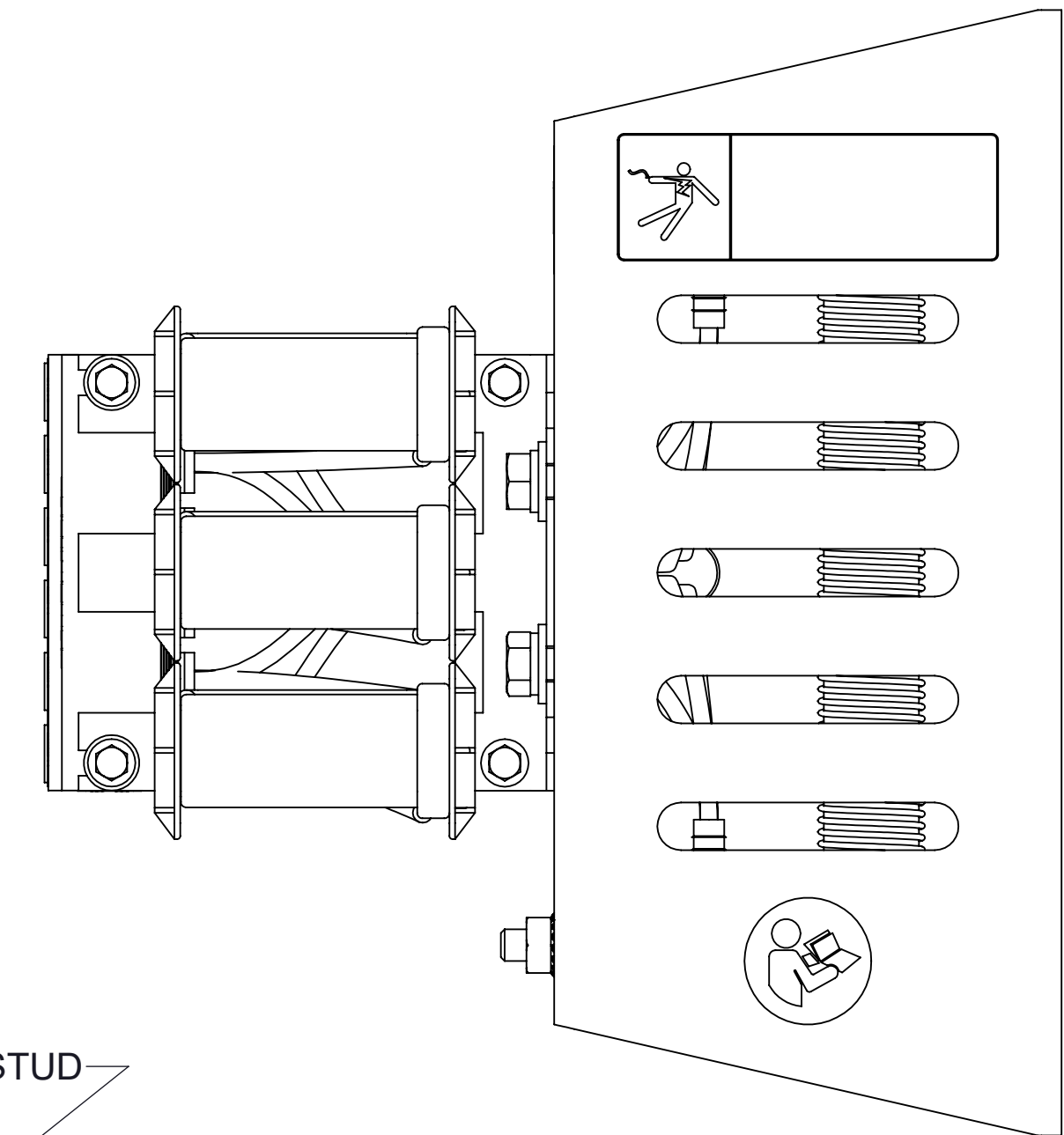


FRONT VIEW

MOUNTING ORIENTATION → UP



1/4-20 GROUND STUD



SIDE VIEW

<p>THE COMPONENT, PART OR ASSEMBLY DESCRIBED IN THIS DOCUMENT MUST COMPLY WITH THE EU (EUROPEAN UNION) DIRECTIVE ROHS2</p> <p>CONTAINS <0.1% OF ANY SVHC BY WEIGHT PER REACH REGULATION</p>		<p>DRAWN BY: MK</p> <p>DATE: 07/07/21</p>	<p>CONFIDENTIAL AND PROPRIETARY INFORMATION</p> <p>THIS DOCUMENT CONTAINS CONFIDENTIAL AND PROPRIETARY INFORMATION OF MTE CORPORATION AND MAY NOT BE USED, COPIED OR DISCLOSED TO OTHERS EXCEPT WITH THE AUTHORIZED WRITTEN PERMISSION OF MTE CORPORATION</p>
<p>UNLESS OTHERWISE SPECIFIED DIMENSIONS ARE IN INCHES [MM] TOLERANCES ARE:</p> <p>ANGLES: ± 1°</p> <p>1 PLACE .X: ± .1 [2.5]</p> <p>2 PLACE .XX: ± .03 [0.76]</p> <p>3 PLACE .XXX: ± .010 [0.254]</p>		<p>CHECKED BY: JD</p> <p>DATE: 11/12/21</p> <p>ME APPROVED BY: DP</p> <p>DATE: 11/12/21</p> <p>RE APPROVED BY: PY</p> <p>DATE: 11/15/21</p>	
<p>MTE POWER QUALITY SOLVED A STEEL PARTNERS COMPANY</p> <p>N83 W13330 Leon Road Menomonee Falls, WI 53051 USA 800.455.4683 262.253.8200</p>		<p>SIZE: D</p> <p>SCALE: 3:4</p>	<p>DWG No. CD DVTP0017E</p> <p>REV: 01</p> <p>SHEET 1 OF 1</p>