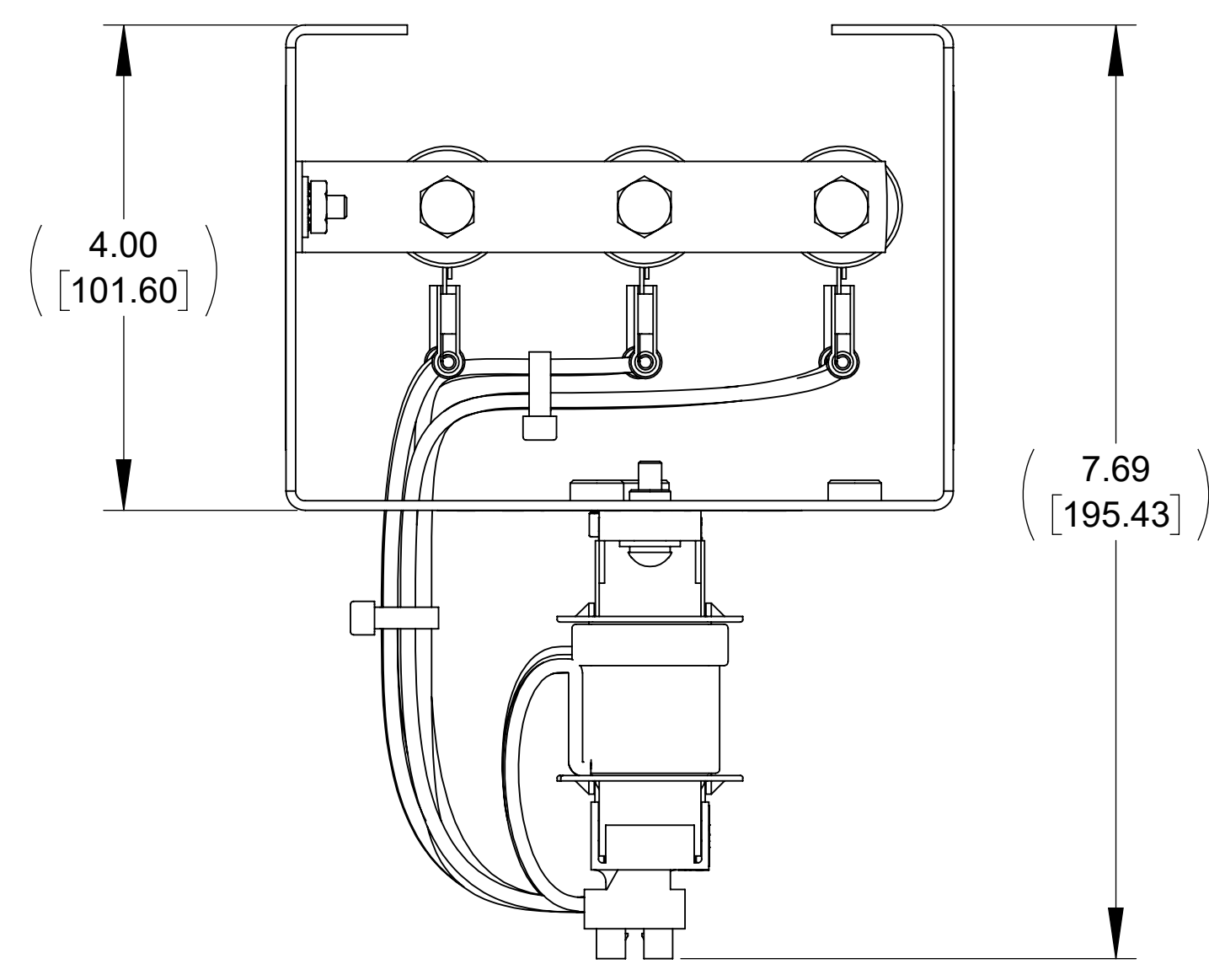
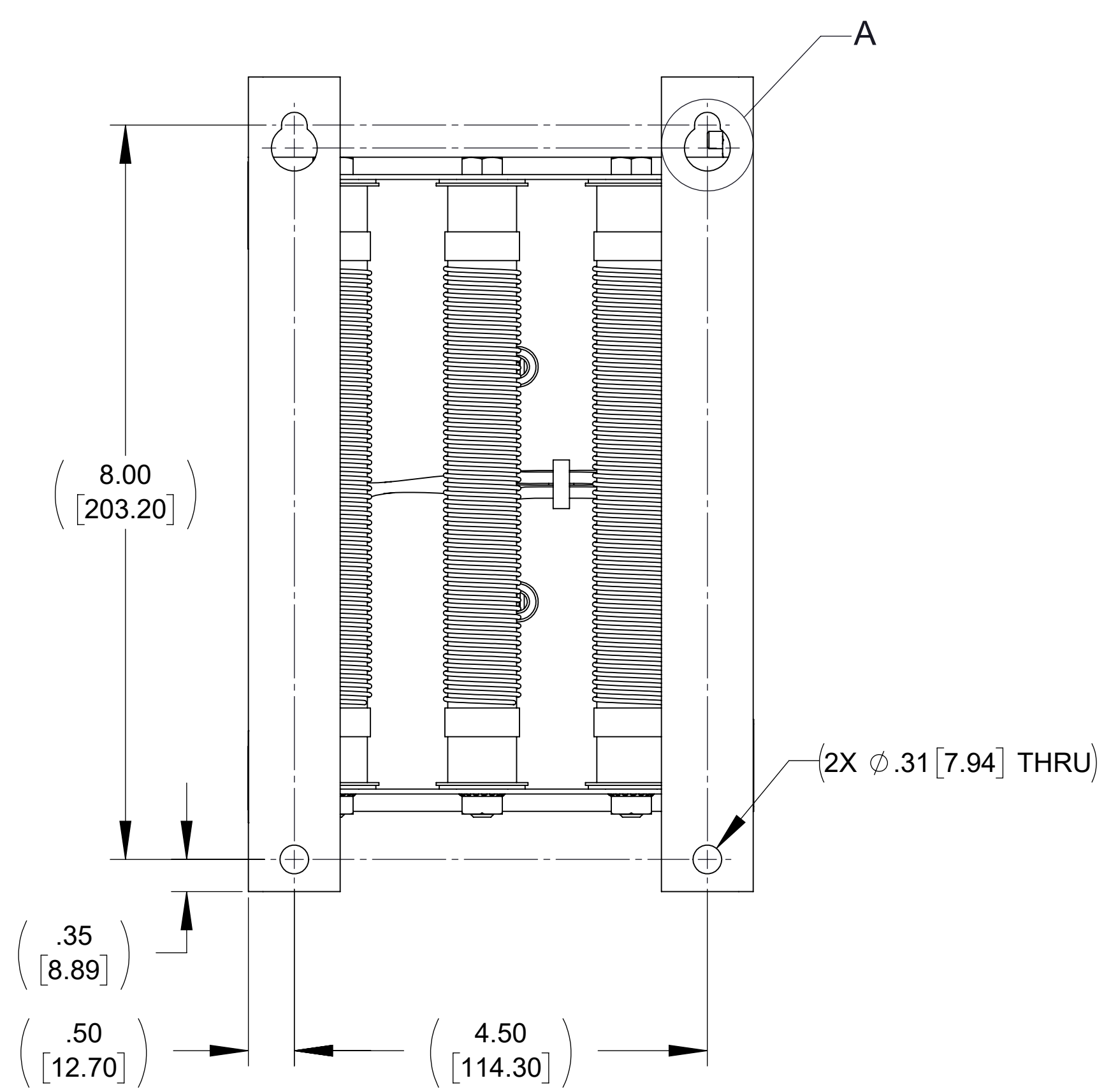


APPROX. WEIGHT (LBS)
6

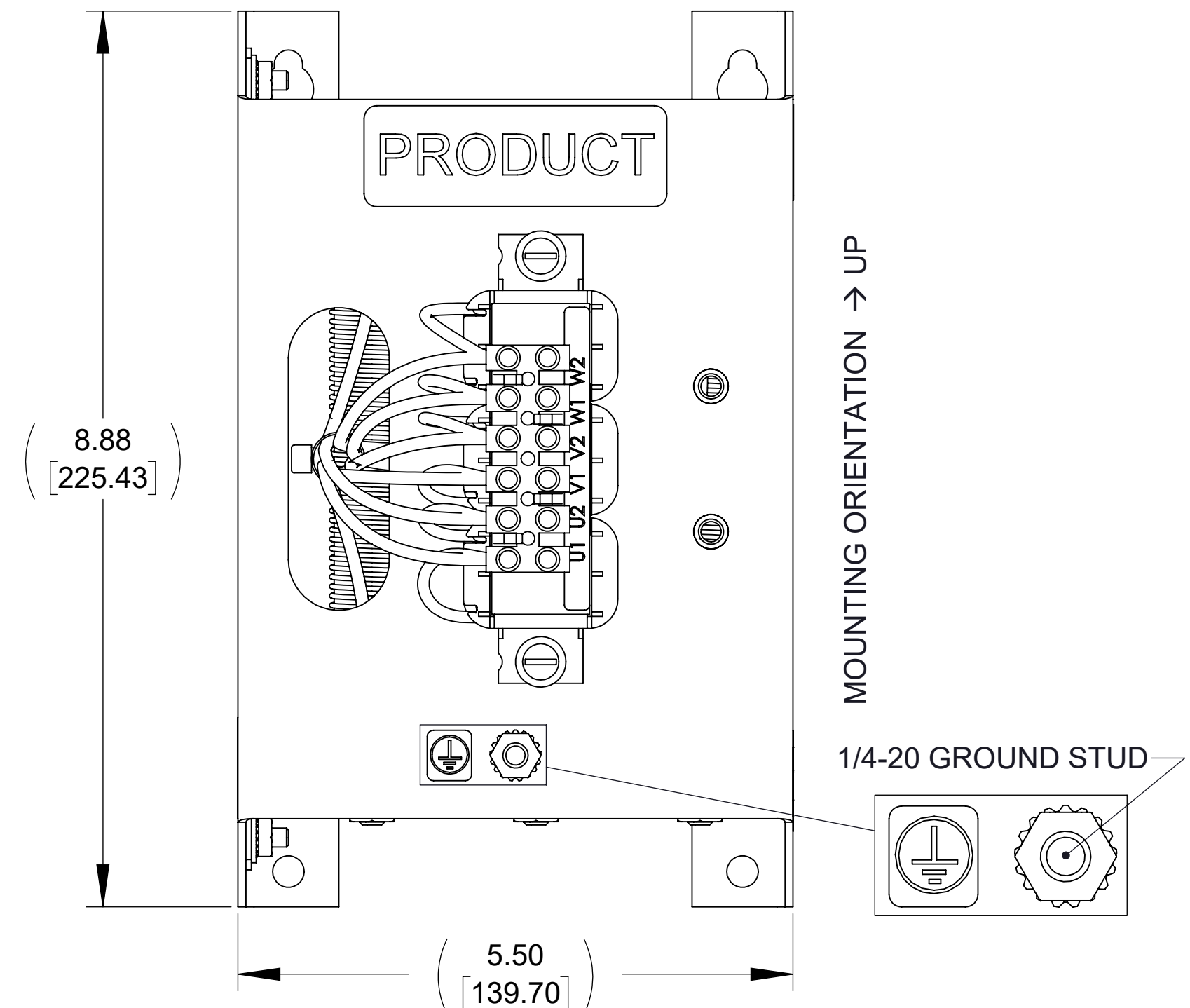
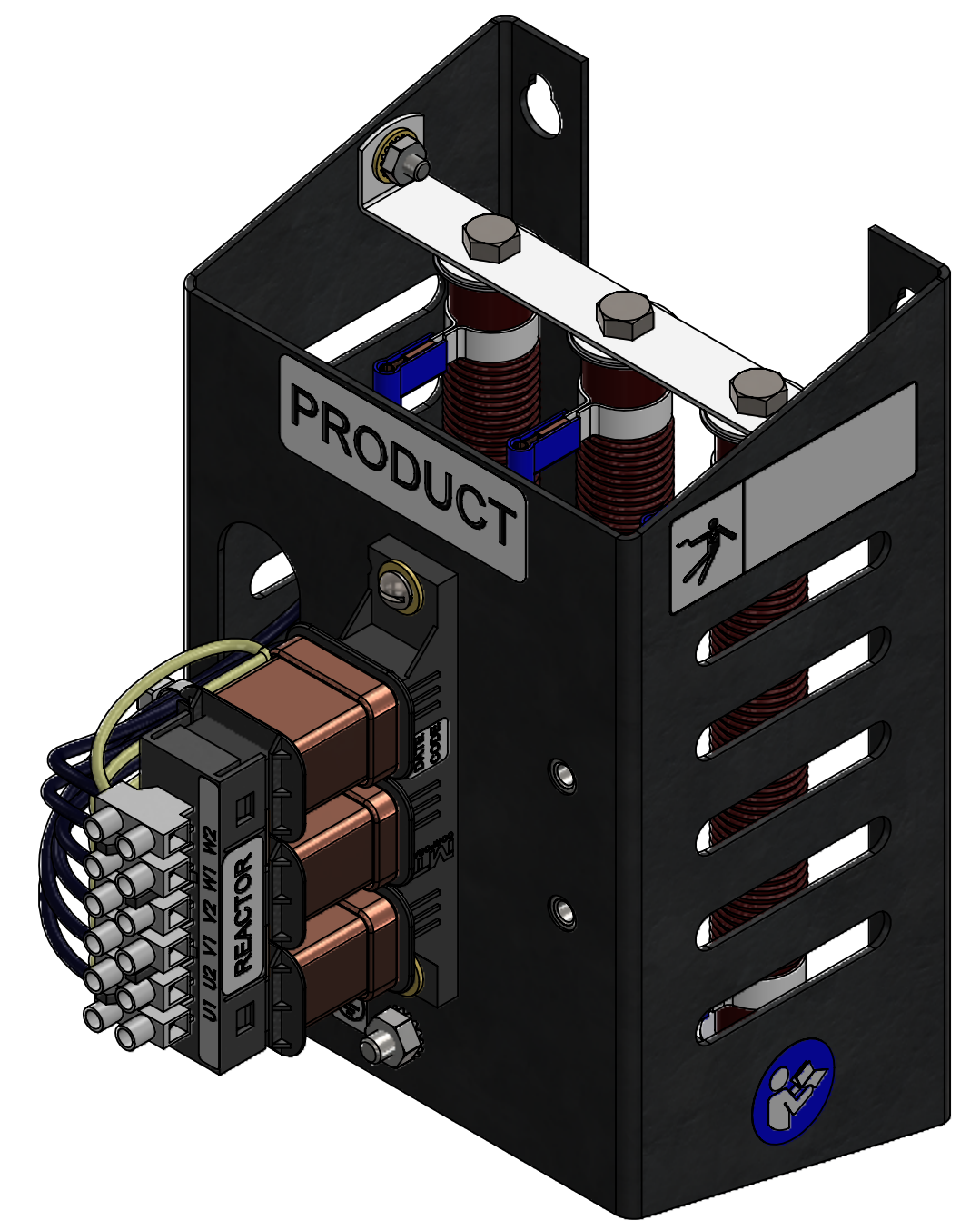
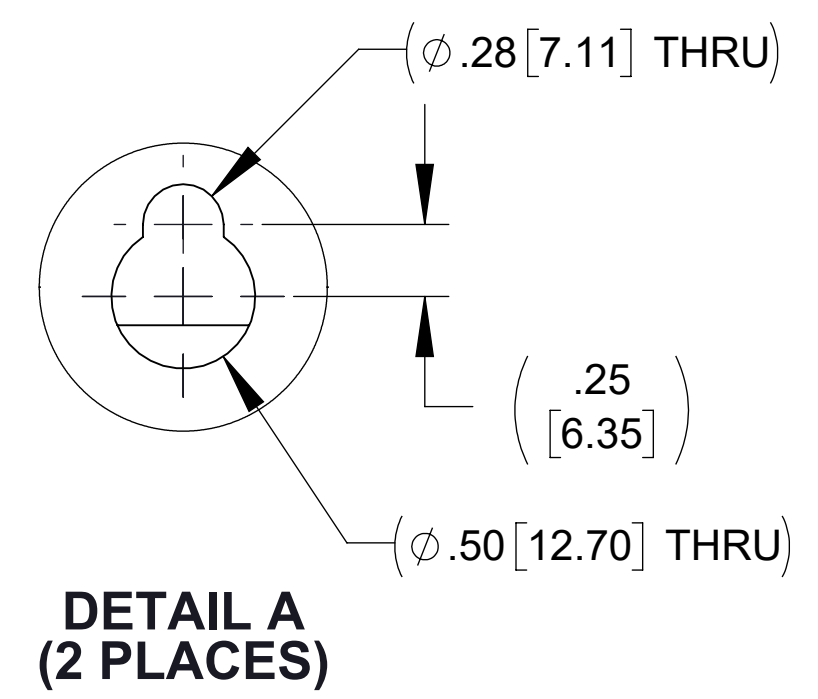
ECO No	DESCRIPTION	REV BY	DATE
M14093	ALL LEADS CHANGED TO BLACK	JD	11/12/21



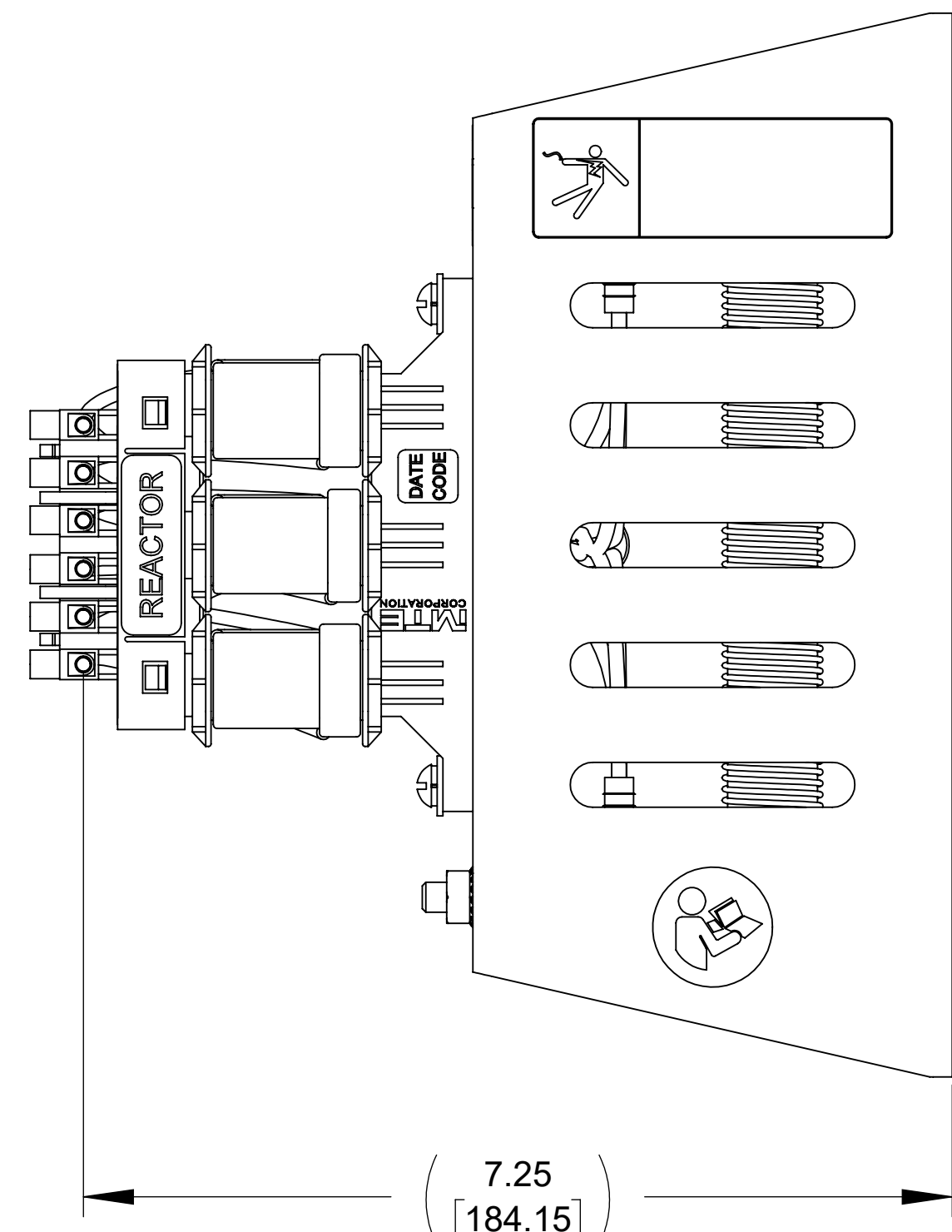
TOP VIEW



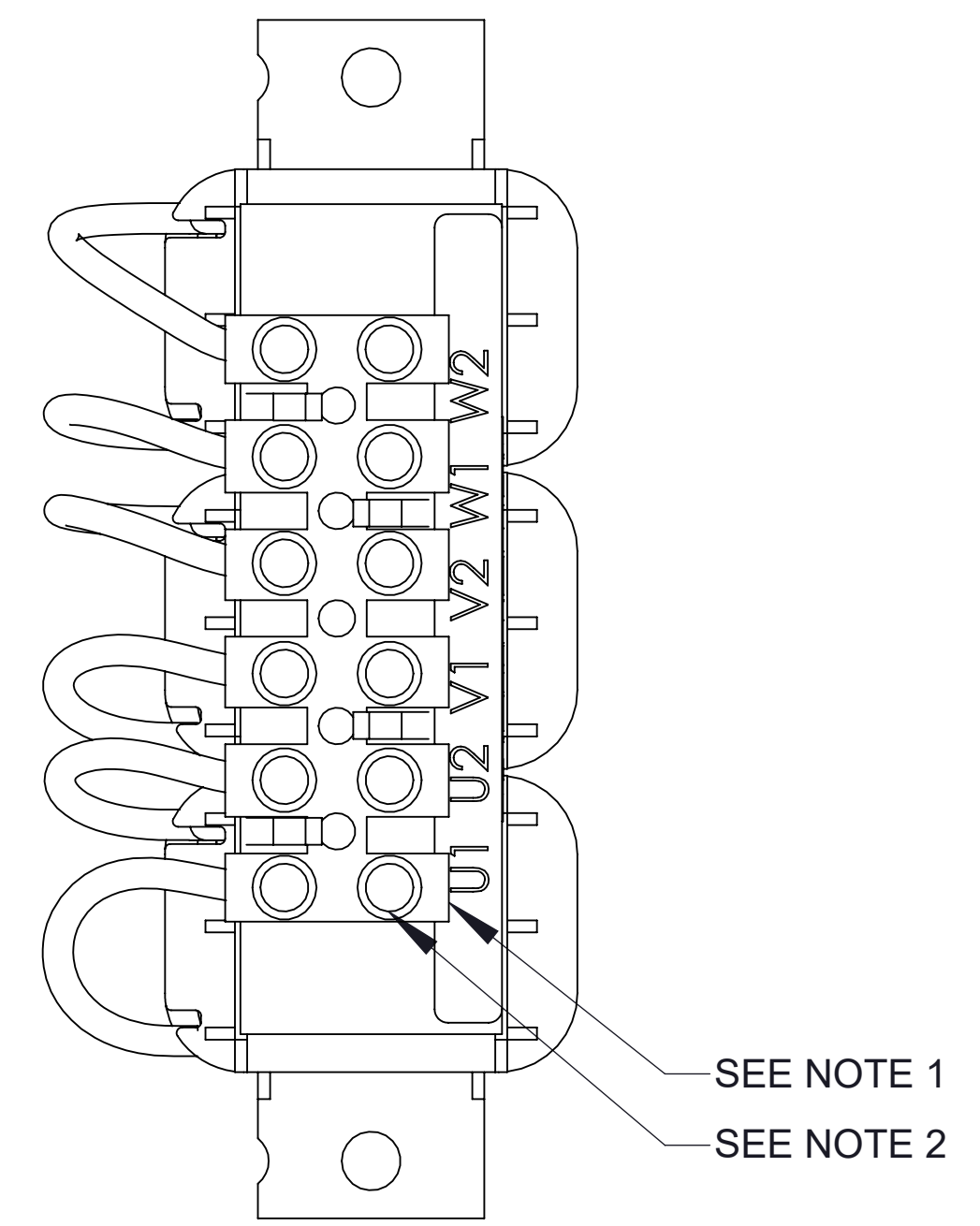
BACK VIEW



FRONT VIEW




SIDE VIEW



CUSTOMER CONNECTION DETAIL VIEW

NOTES:

1. TERMINAL WIRE RANGE: 10-22 AWG.
2. TERMINAL SCREW TIGHTENING TORQUE: 4.0 IN/LBS.
3. REFER TO USER MANUAL FOR COMPLETE INSTALLATION INSTRUCTIONS.

THE COMPONENT, PART OR ASSEMBLY DESCRIBED IN THIS DOCUMENT MUST COMPLY WITH THE EU (EUROPEAN UNION) DIRECTIVE ROHS2		DRAWN BY: JD	DATE 06/23/21	CONFIDENTIAL AND PROPRIETARY INFORMATION THIS DOCUMENT CONTAINS CONFIDENTIAL AND PROPRIETARY INFORMATION OF MTE CORPORATION AND MAY NOT BE USED, COPIED OR DISCLOSED TO OTHERS EXCEPT WITH THE AUTHORIZED WRITTEN PERMISSION OF MTE CORPORATION		
CONTAINS <0.1% OF ANY SVHC BY WEIGHT PER REACH REGULATION		CHECKED BY: JD	DATE 11/12/21			
UNLESS OTHERWISE SPECIFIED DIMENSIONS ARE IN INCHES [MM] TOLERANCES ARE: ANGLES: ± 1° 1 PLACE .X: ± .1 [2.5] 2 PLACE .XX: ± .03 [0.76] 3 PLACE .XXX: ± .010 [0.254]		ME APPROVED BY: DP	DATE 11/12/21	DESCRIPTION DVDT E SERIES 12A 208-600V 2-4kHz FILTER, OPEN PANEL		
 N83 W13330 Leon Road Menomonee Falls, WI 53051 USA 800.455.4683 262.253.8200		RE APPROVED BY: PY	DATE 11/15/21			SIZE D
				SCALE 3:4	Sheet1	SHEET 1 OF 1