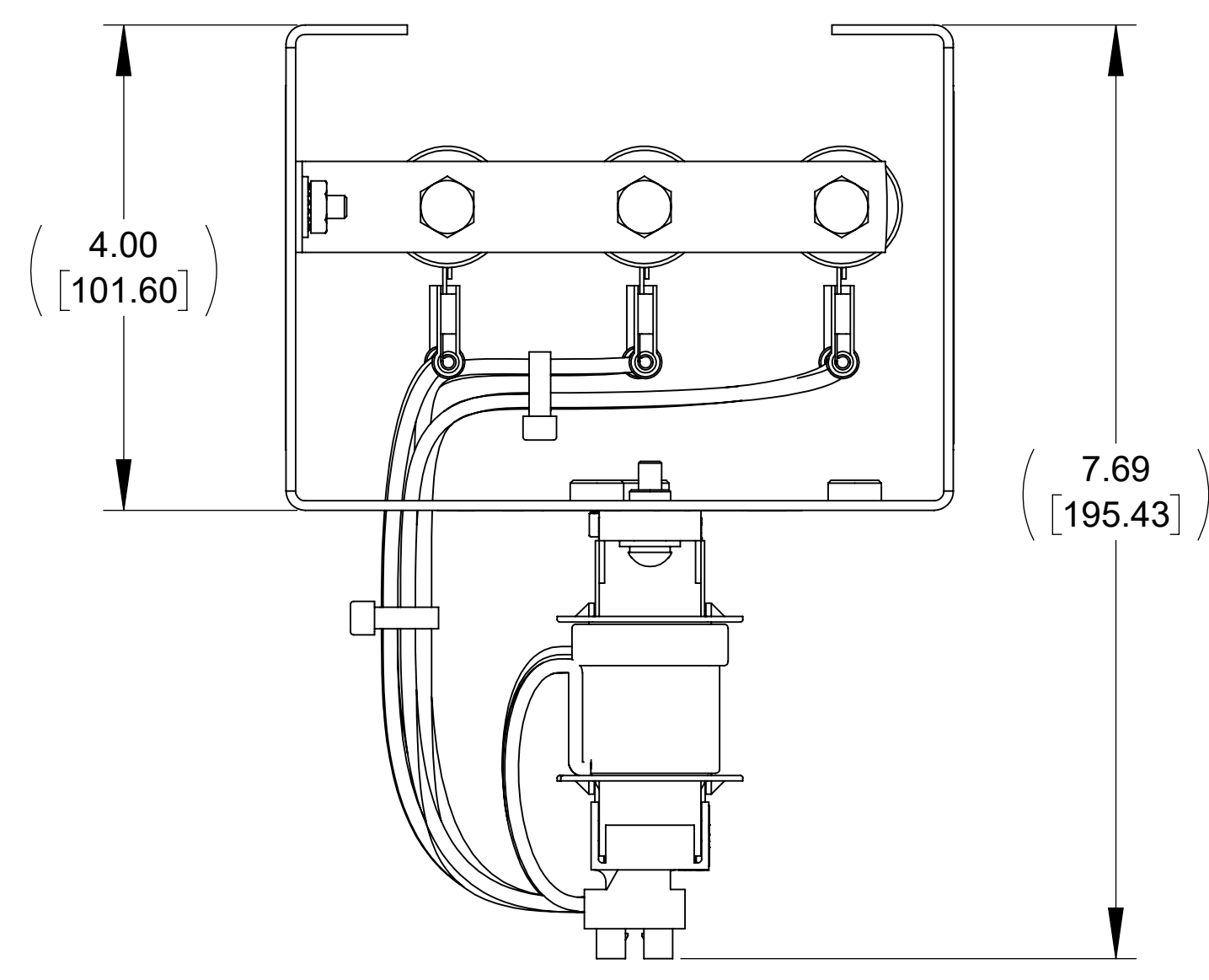
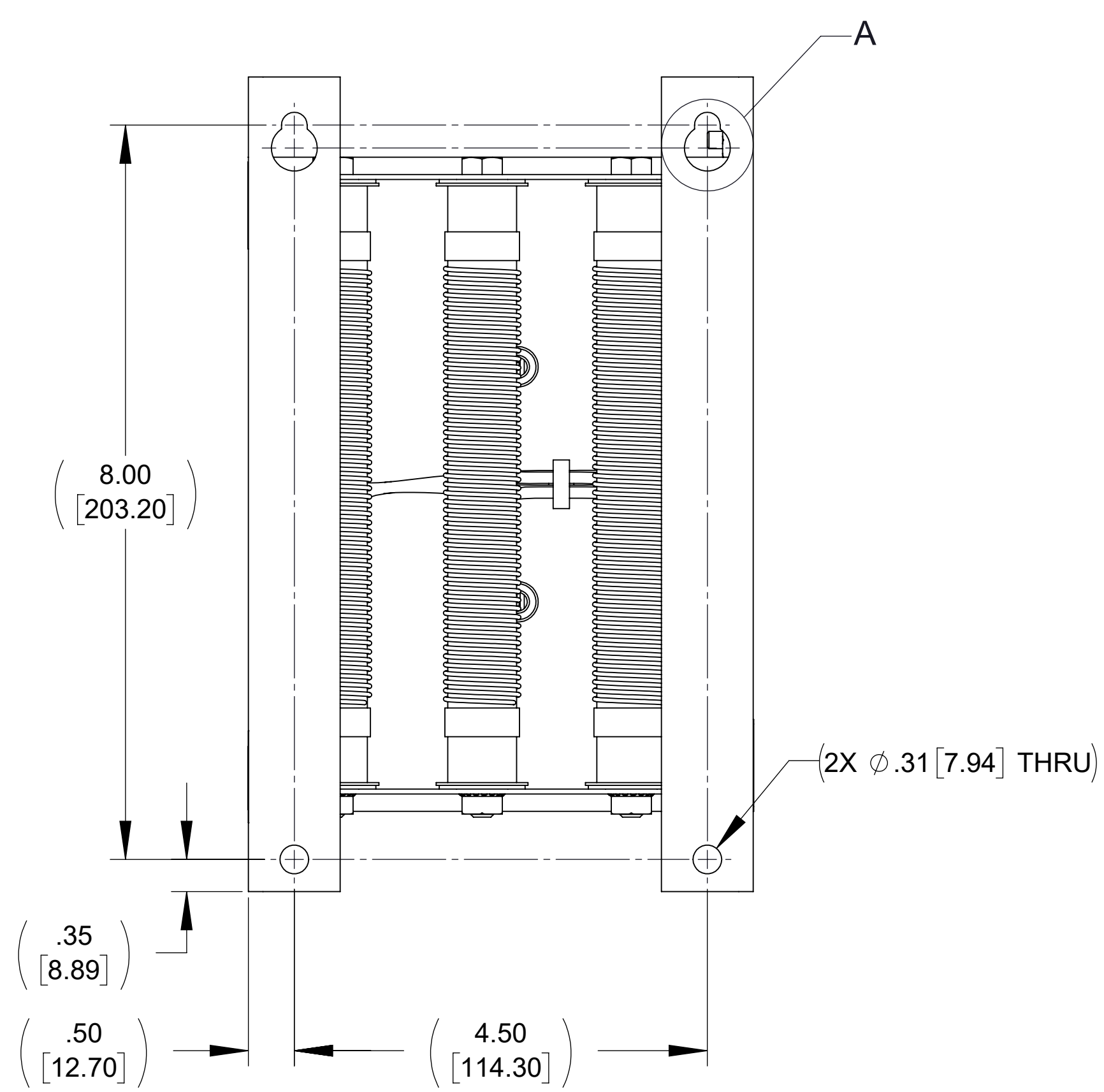


APPROX. WEIGHT (LBS)
6

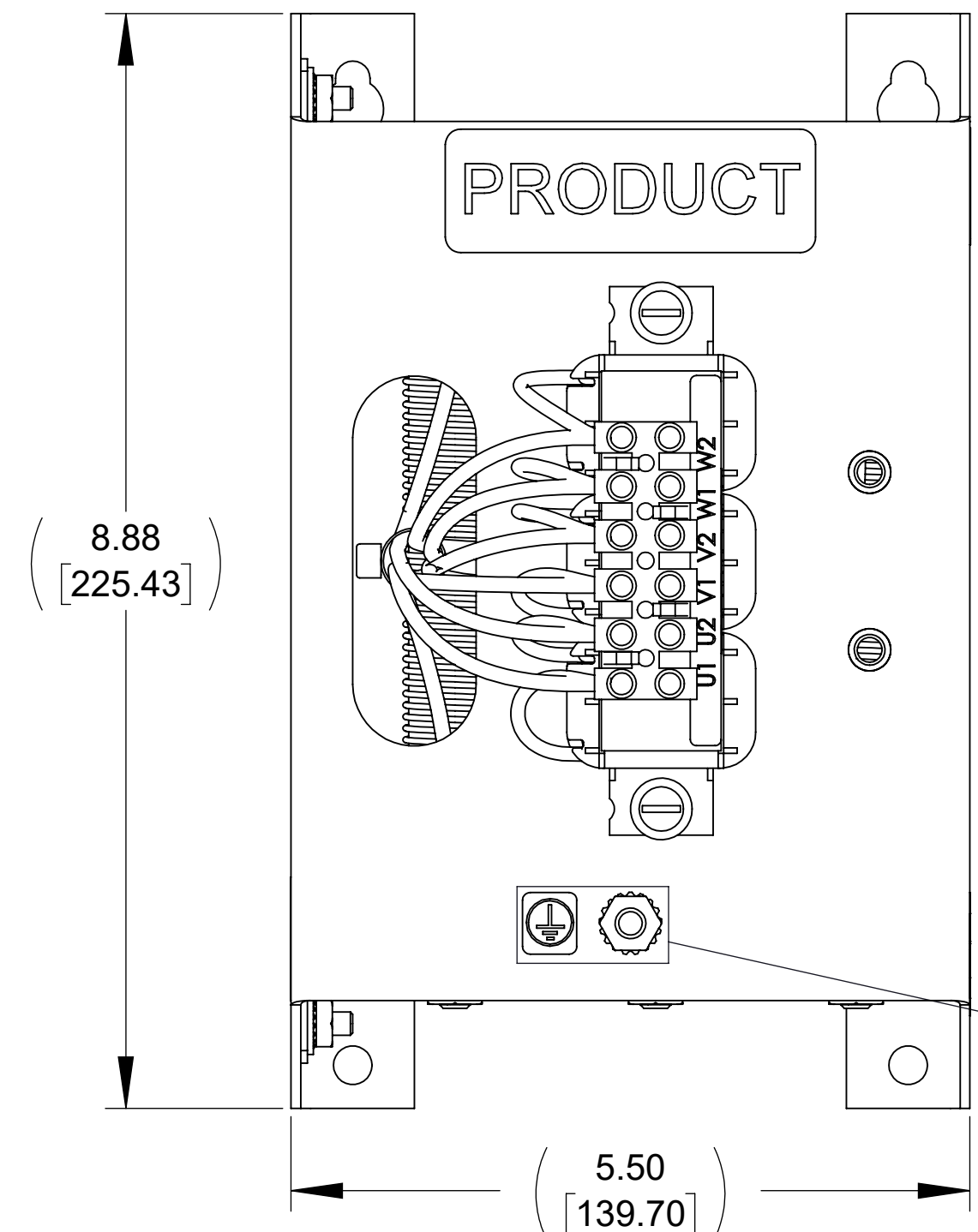
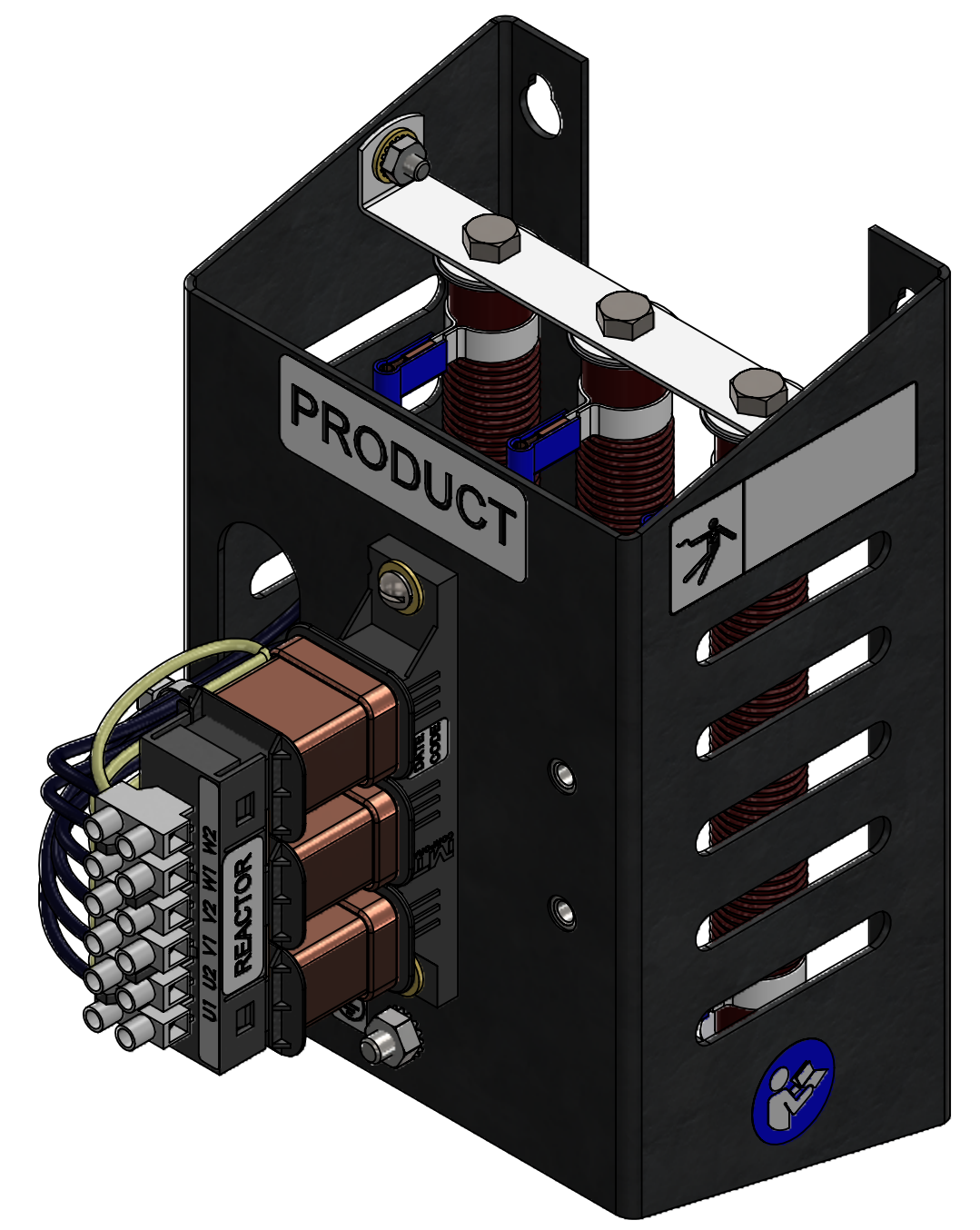
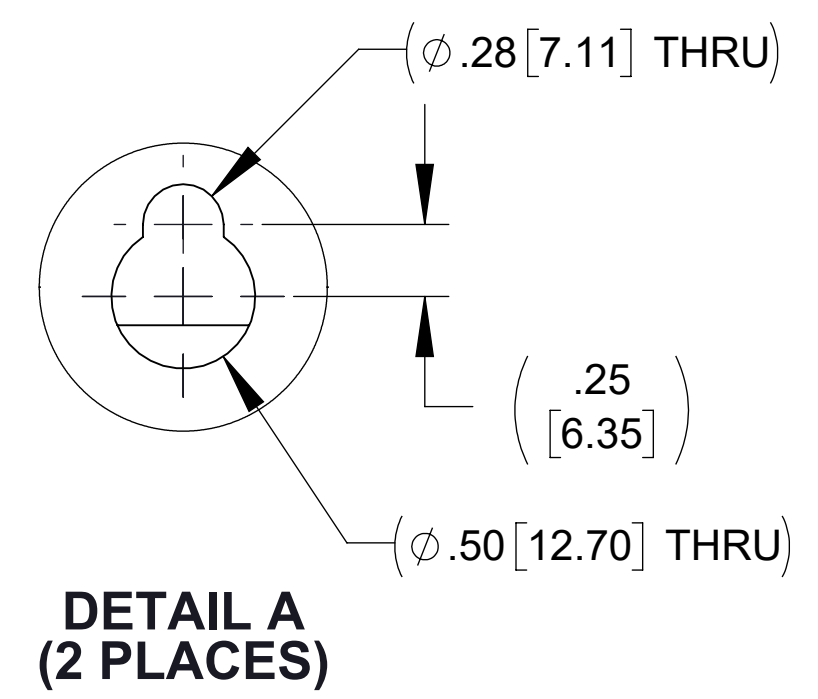
| ECO No | DESCRIPTION | REV BY | DATE |
|--------|----------------------------|--------|----------|
| M14093 | ALL LEADS CHANGED TO BLACK | JD | 11/12/21 |



TOP VIEW

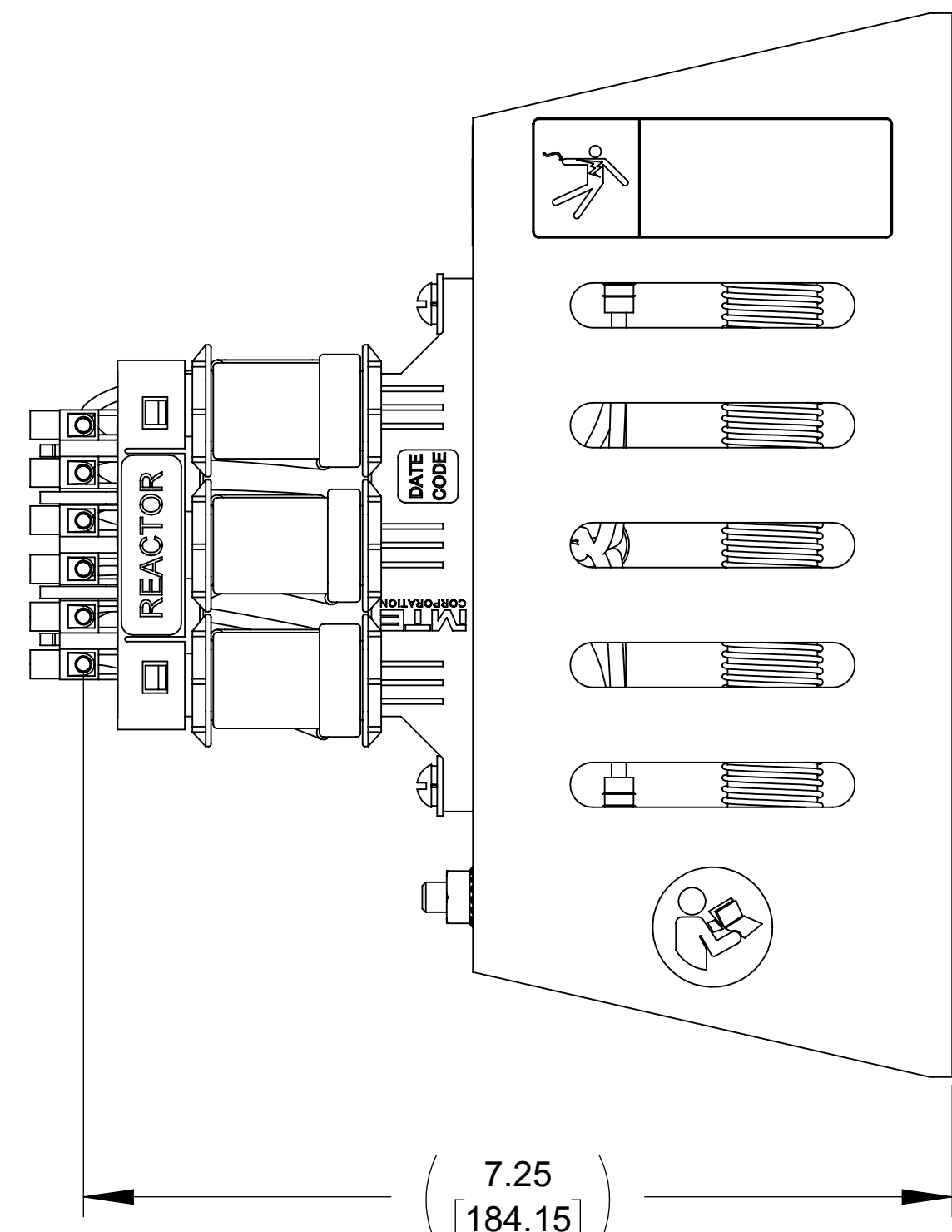
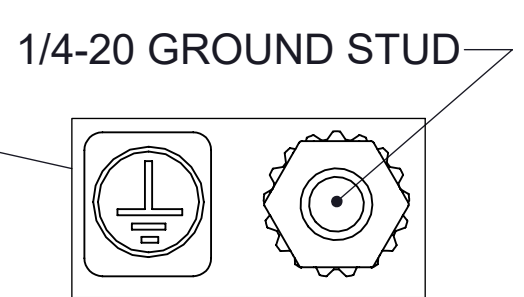


BACK VIEW

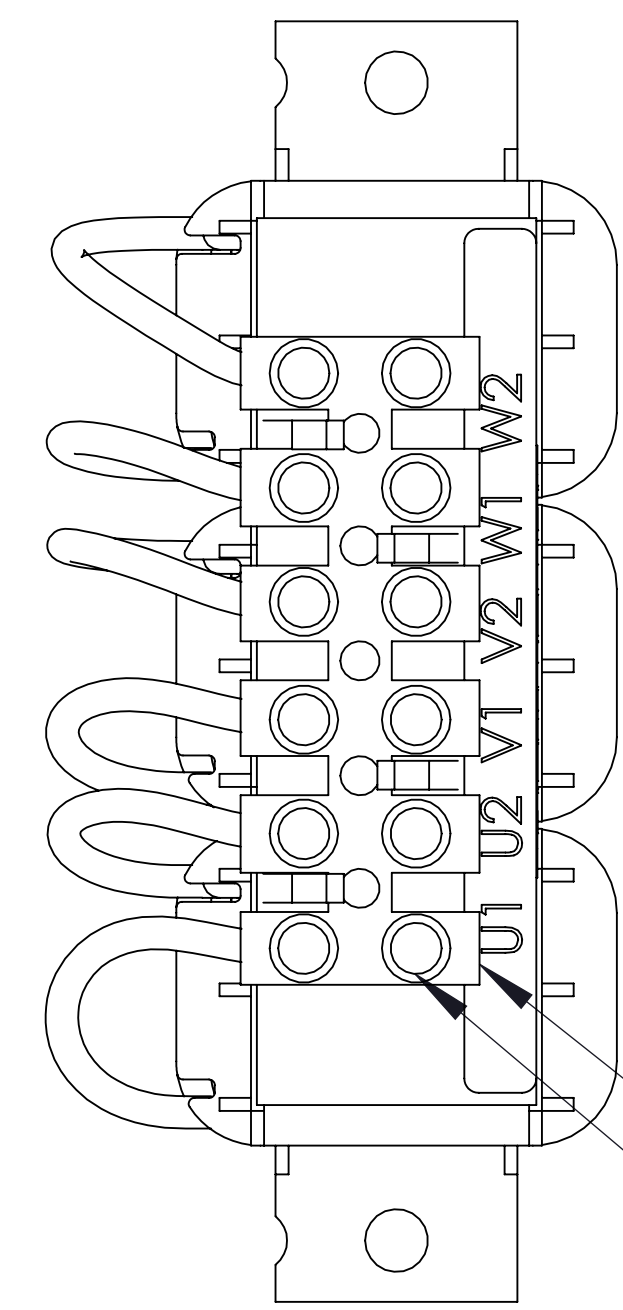


FRONT VIEW

MOUNTING ORIENTATION → UP



SIDE VIEW



SEE NOTE 1
SEE NOTE 2

CUSTOMER CONNECTION DETAIL VIEW

NOTES:

1. TERMINAL WIRE RANGE: 10-22 AWG.
2. TERMINAL SCREW TIGHTENING TORQUE: 4.0 IN/LBS.
3. REFER TO USER MANUAL FOR COMPLETE INSTALLATION INSTRUCTIONS.

| | | | | | | |
|---|--|-----------------------|------------------|--|-------------------------|-----------|
| THE COMPONENT, PART OR ASSEMBLY DESCRIBED IN THIS DOCUMENT MUST COMPLY WITH THE EU (EUROPEAN UNION) DIRECTIVE ROHS2 | | DRAWN BY: JD | DATE 06/23/21 | CONFIDENTIAL AND PROPRIETARY INFORMATION THIS DOCUMENT CONTAINS CONFIDENTIAL AND PROPRIETARY INFORMATION OF MTE CORPORATION AND MAY NOT BE USED, COPIED OR DISCLOSED TO OTHERS EXCEPT WITH THE AUTHORIZED WRITTEN PERMISSION OF MTE CORPORATION | | |
| CONTAINS <0.1% OF ANY SVHC BY WEIGHT PER REACH REGULATION | | CHECKED BY: JD | DATE 11/12/21 | DESCRIPTION DVDT E SERIES 9A 208-600V 2-4kHz FILTER, OPEN PANEL | | |
| UNLESS OTHERWISE SPECIFIED DIMENSIONS ARE IN INCHES [MM] TOLERANCES ARE: ANGLES: ± 1° 1 PLACE .X: ± .1 [2.5] 2 PLACE .XX: ± .03 [0.76] 3 PLACE .XXX: ± .010 [0.254] | | ME APPROVED BY: DP | DATE 11/12/21 | | | |
| MTE POWER QUALITY SOLVED A STEEL PARTNERS COMPANY N83 W13330 Leon Road Menomonee Falls, WI 53051 USA 800.455.4683 262.253.8200 | | RE APPROVED BY: PY | DATE 11/15/21 | SIZE D | DWG No. CD DVTP0009E | REV 01 |
| | | SCALE 3:4 | | Sheet1 | SHEET 1 OF 1 | |