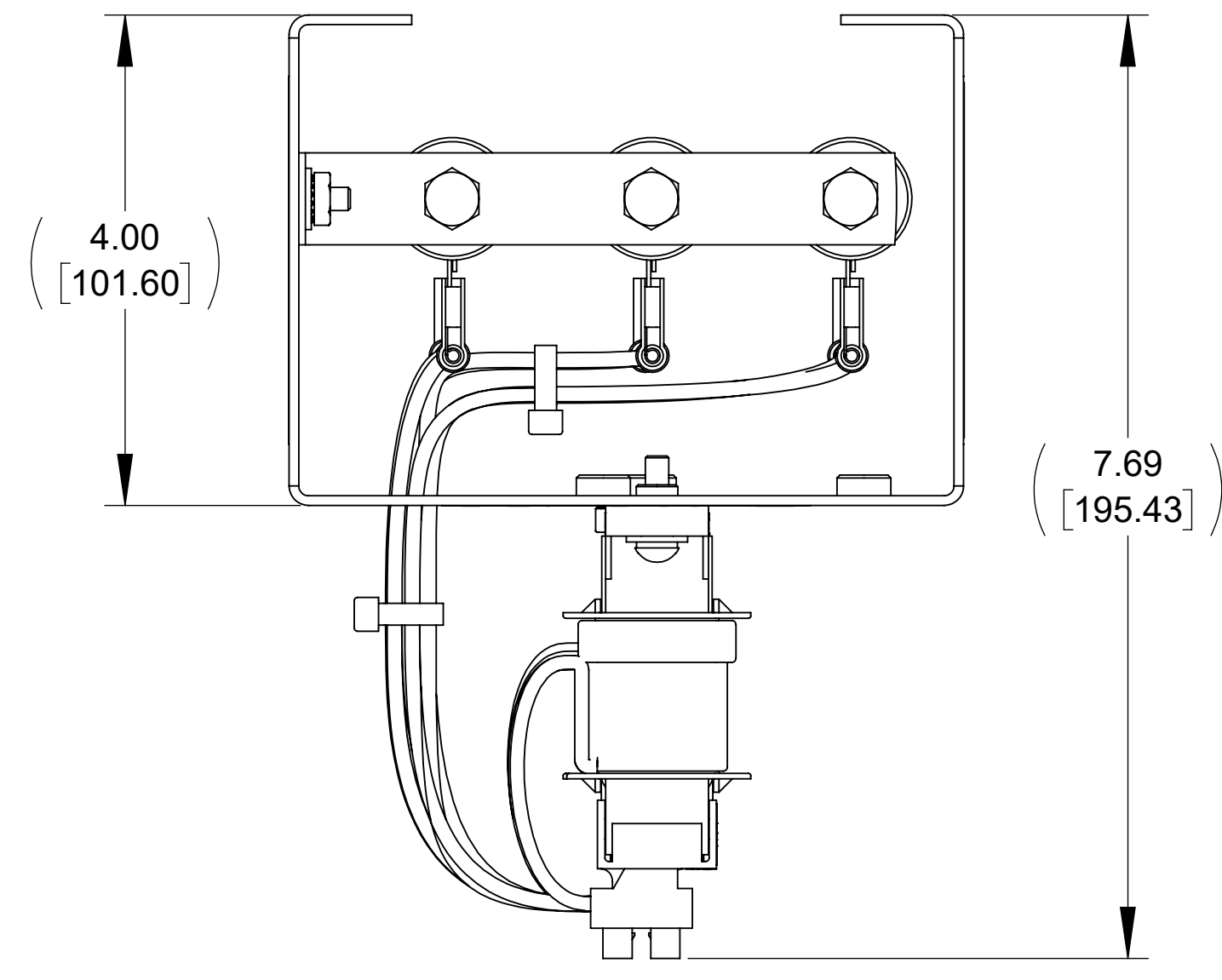
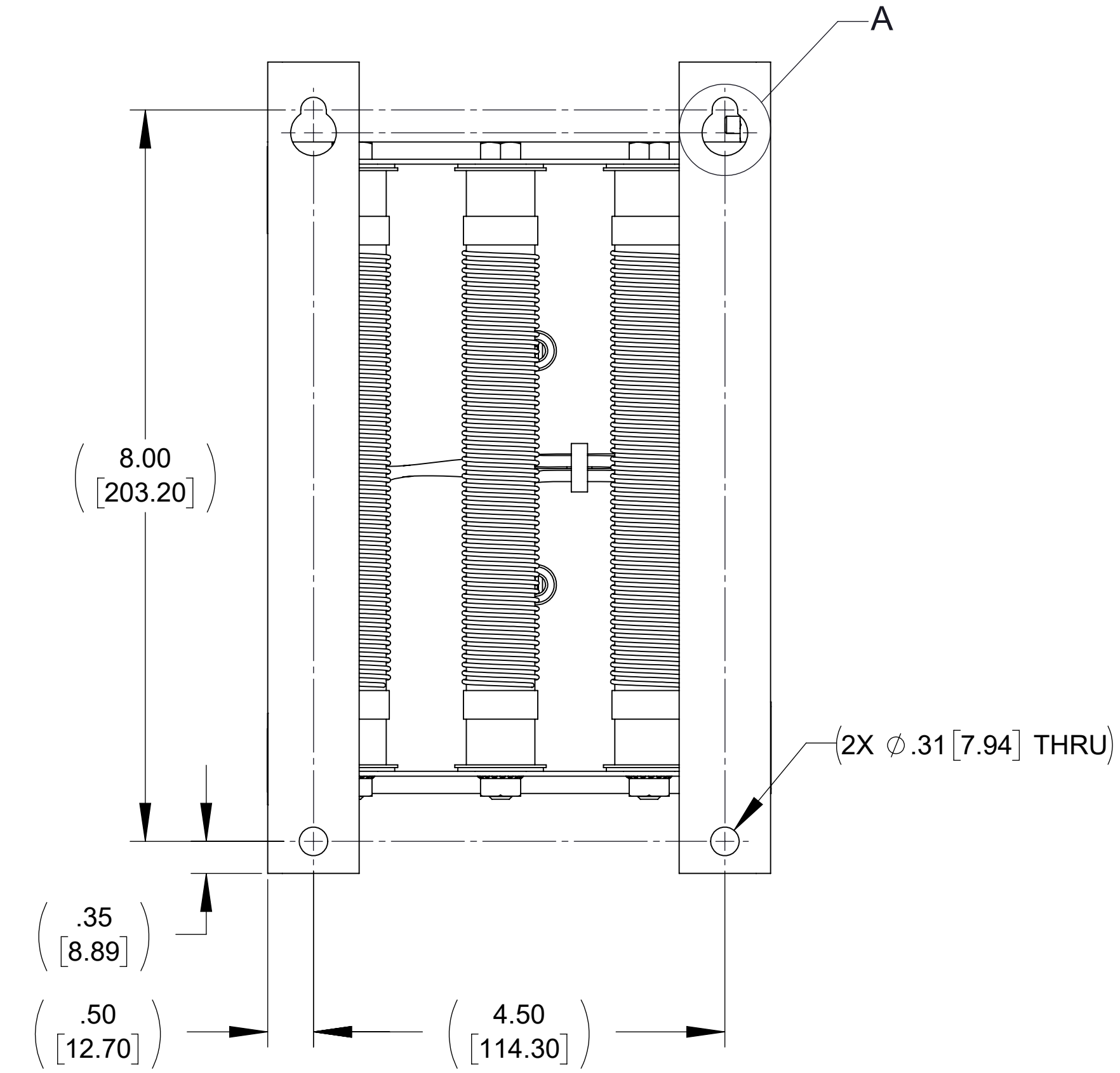


APPROX. WEIGHT (LBS)
6

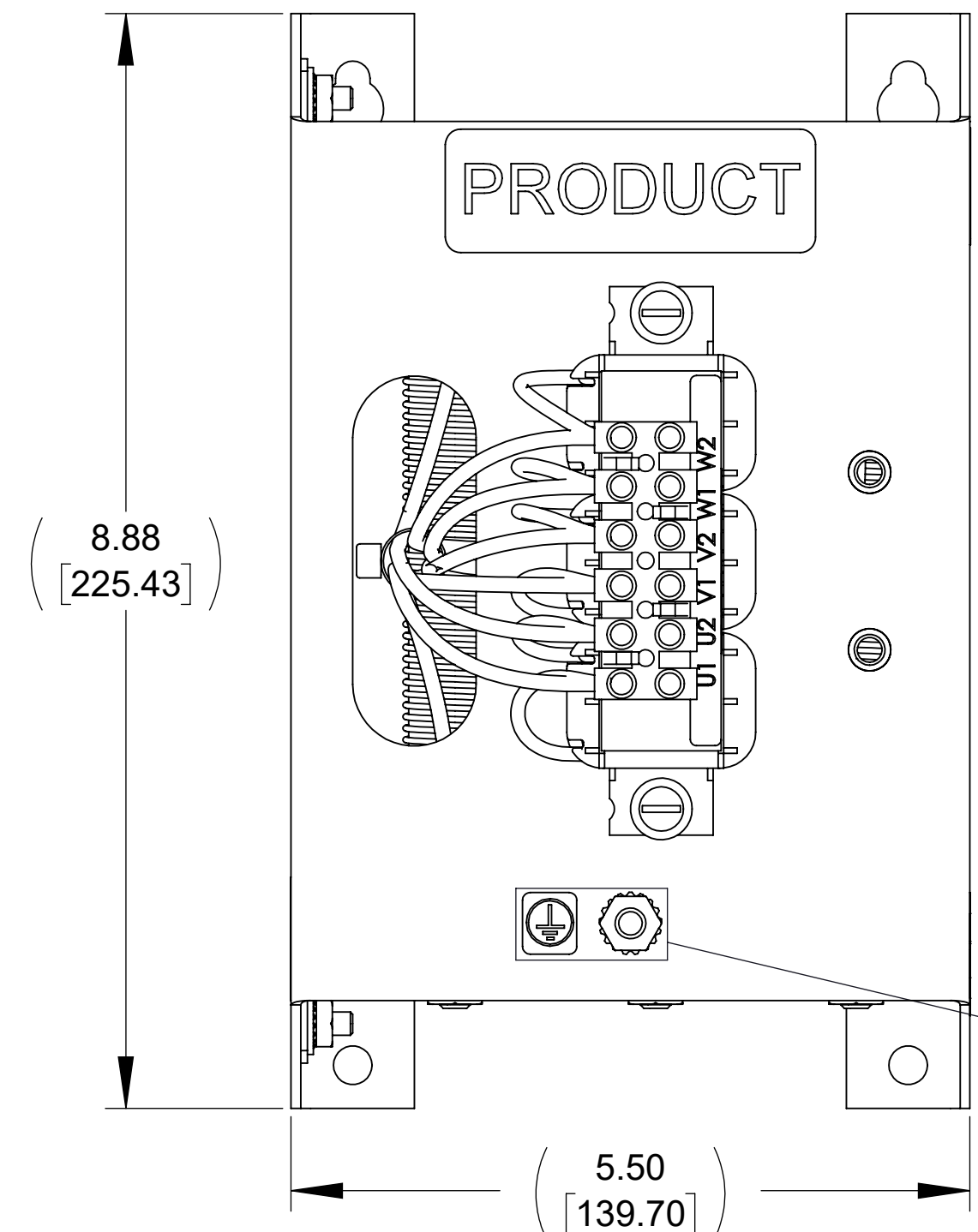
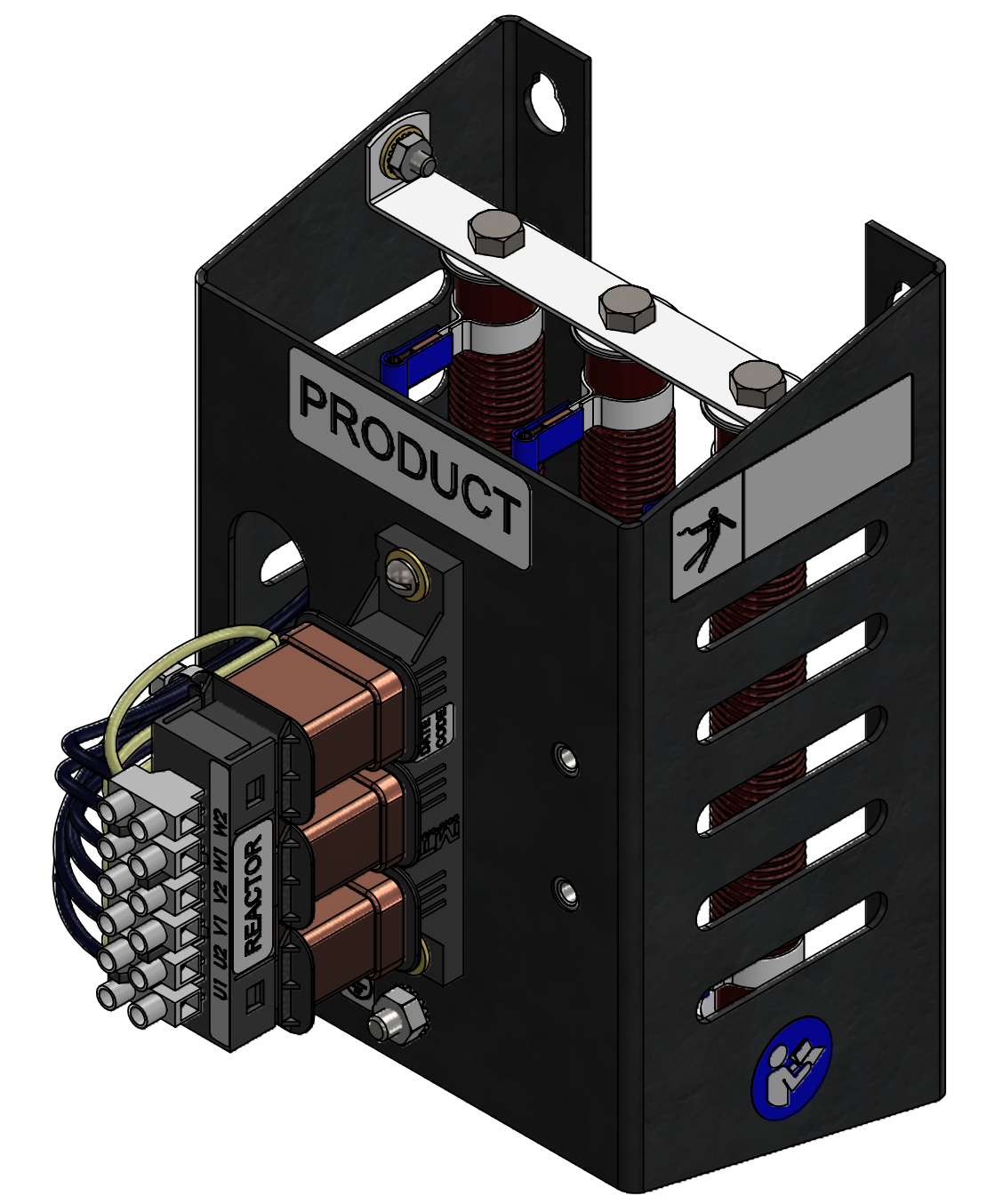
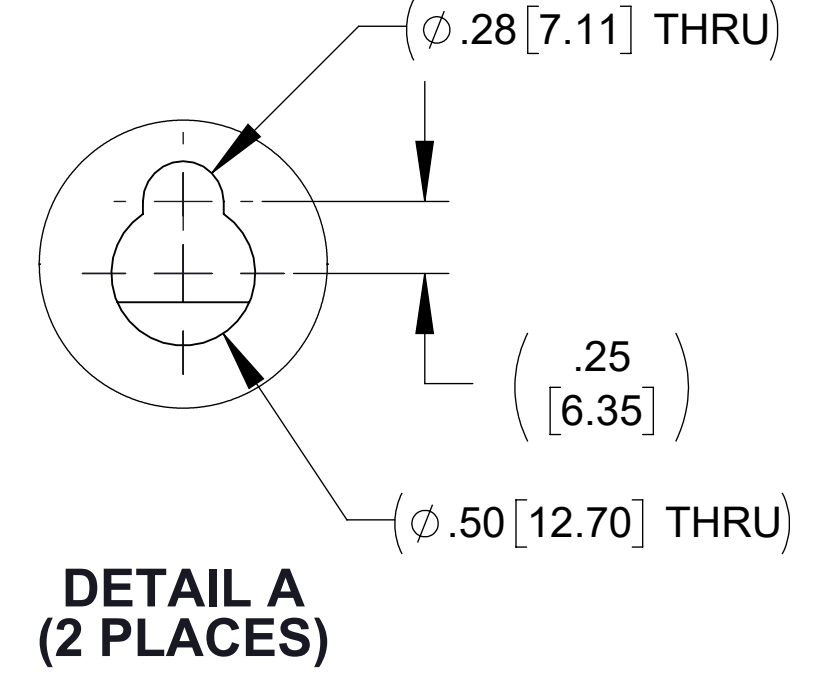
ECO No	DESCRIPTION	REV BY	DATE
M14093	ALL LEADS CHANGED TO BLACK	JD	11/12/21



TOP VIEW

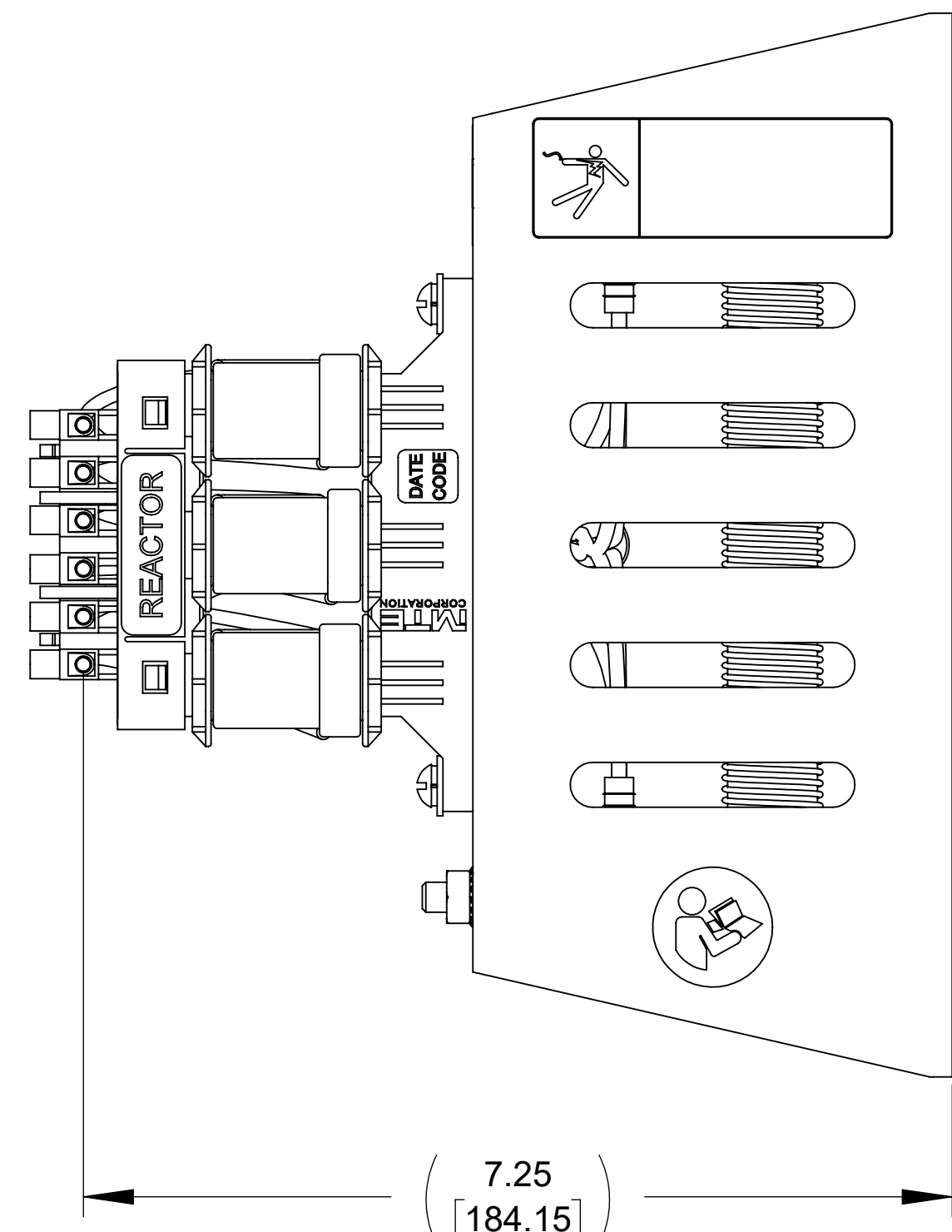
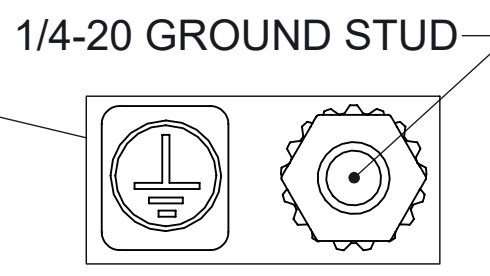


BACK VIEW

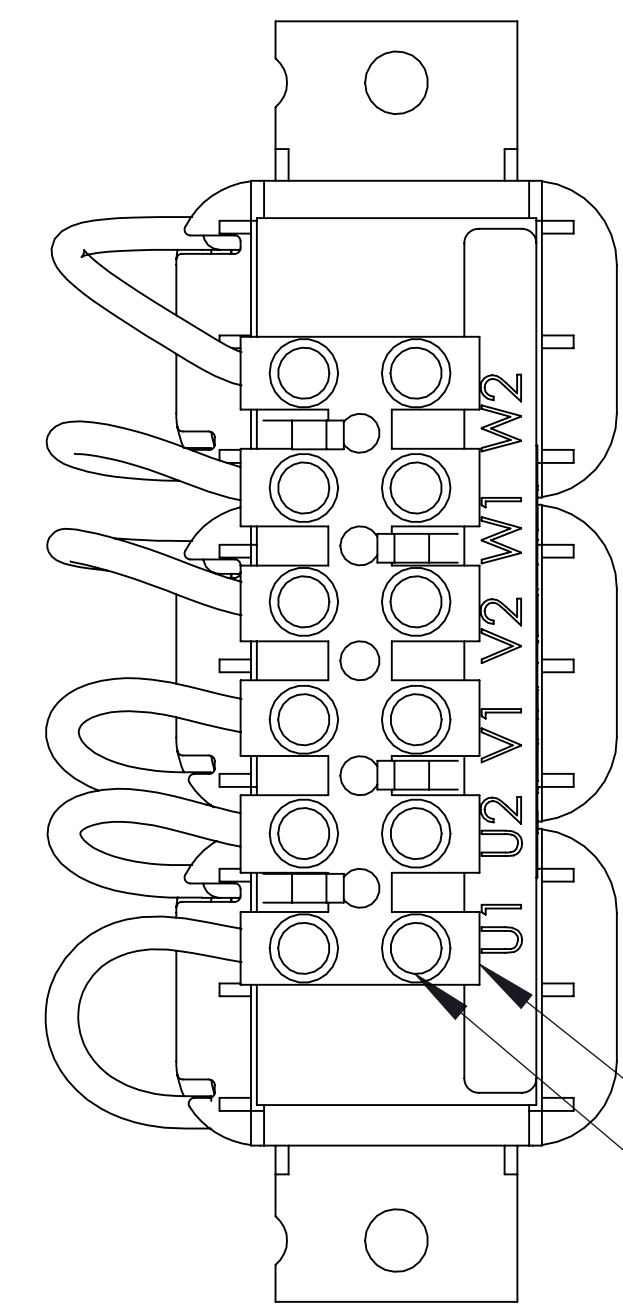


FRONT VIEW

MOUNTING ORIENTATION → UP



SIDE VIEW



SEE NOTE 1
SEE NOTE 2

CUSTOMER CONNECTION DETAIL VIEW

NOTES:

1. TERMINAL WIRE RANGE: 10-22 AWG.
2. TERMINAL SCREW TIGHTENING TORQUE: 4.0 IN/LBS.
3. REFER TO USER MANUAL FOR COMPLETE INSTALLATION INSTRUCTIONS.

THE COMPONENT, PART OR ASSEMBLY DESCRIBED IN THIS DOCUMENT MUST COMPLY WITH THE EU (EUROPEAN UNION) DIRECTIVE ROHS2		DRAWN BY:	DATE	CONFIDENTIAL AND PROPRIETARY INFORMATION THIS DOCUMENT CONTAINS CONFIDENTIAL AND PROPRIETARY INFORMATION OF MTE CORPORATION AND MAY NOT BE USED, COPIED OR DISCLOSED TO OTHERS EXCEPT WITH THE AUTHORIZED WRITTEN PERMISSION OF MTE CORPORATION		
CONTAINS <0.1% OF ANY SVHC BY WEIGHT PER REACH REGULATION		JD	06/23/21			
UNLESS OTHERWISE SPECIFIED DIMENSIONS ARE IN INCHES [MM] TOLERANCES ARE: ANGLES: ± 1° 1 PLACE .X: ± .1 [2.5] 2 PLACE .XX: ± .03 [0.76] 3 PLACE .XXX: ± .010 [0.254]		CHECKED BY:	DATE	DESCRIPTION DVDT E SERIES 4A 208-600V 2-4kHz FILTER, OPEN PANEL		
		JD	11/12/21			
MTE POWER QUALITY SOLVED A STEEL PARTNERS COMPANY N83 W13330 Leon Road Menomonee Falls, WI 53051 USA 800.455.4683 262.253.8200		ME APPROVED BY:	DATE	SIZE	DWG No.	REV
		DP	11/12/21	D	CD DVTP0004E	01
		RE APPROVED BY:	DATE	SCALE	SHEET 1 OF 1	
		PY	11/15/21	3:4	Sheet1	