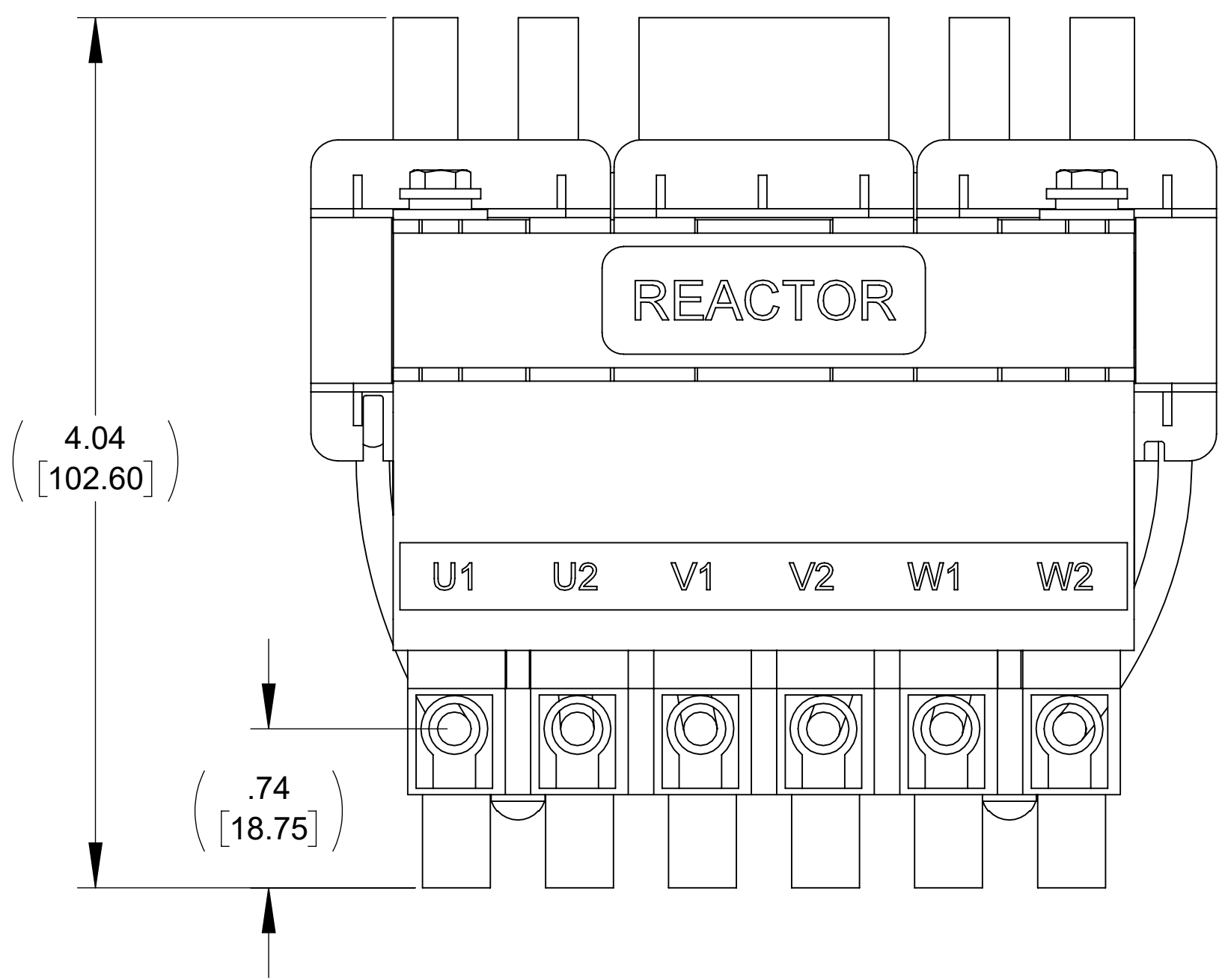
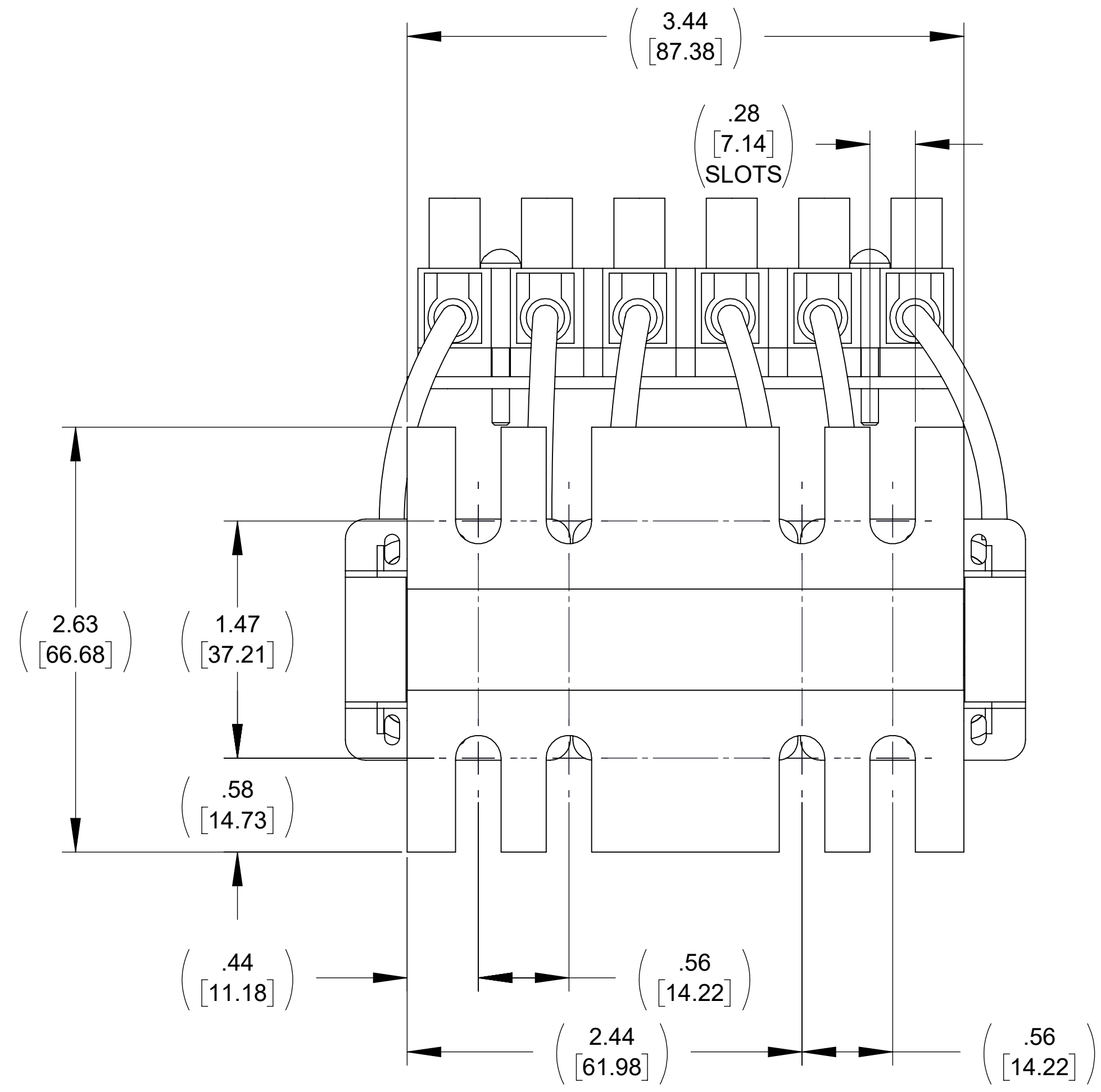


APPROX. WEIGHT (LBS)
4

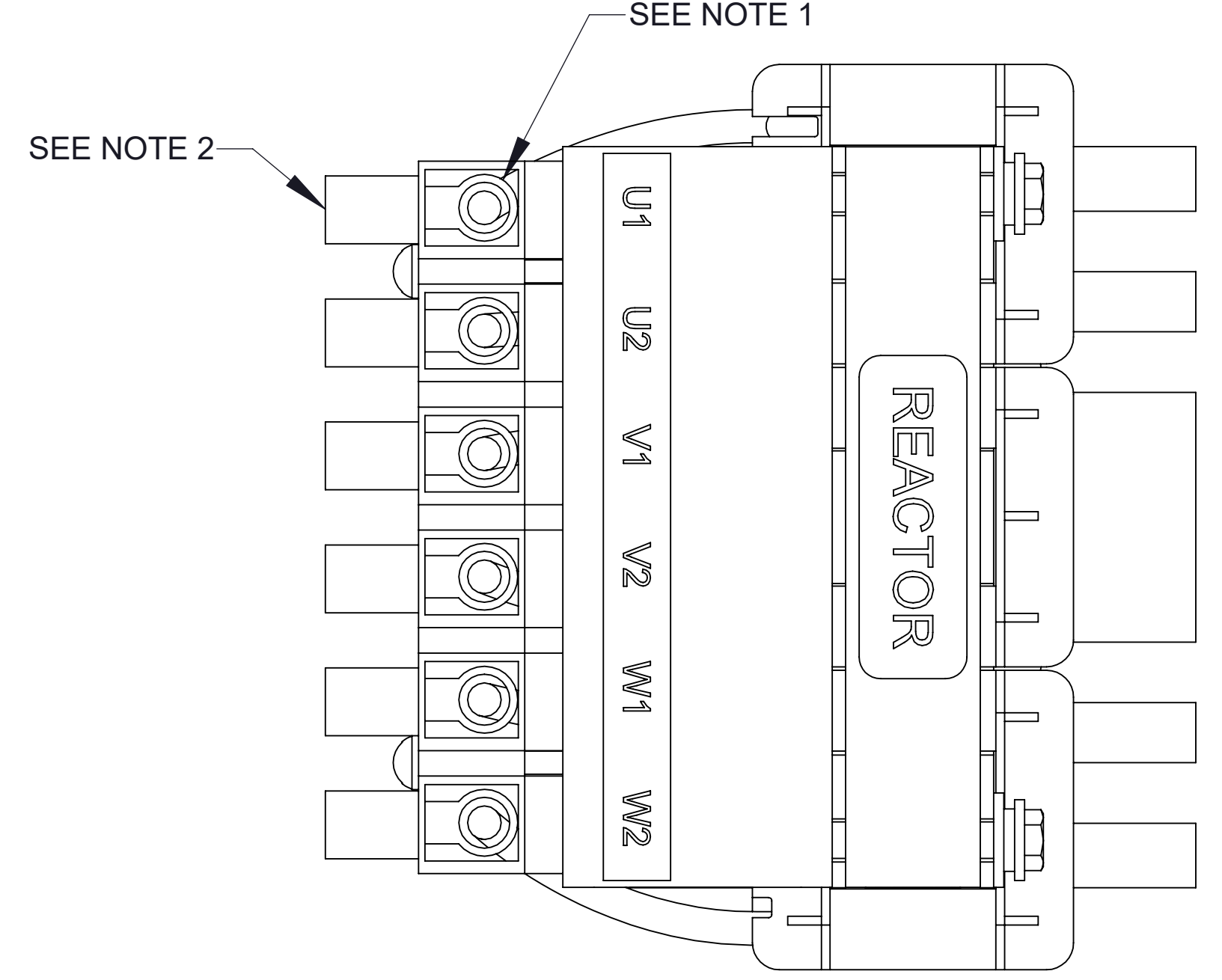
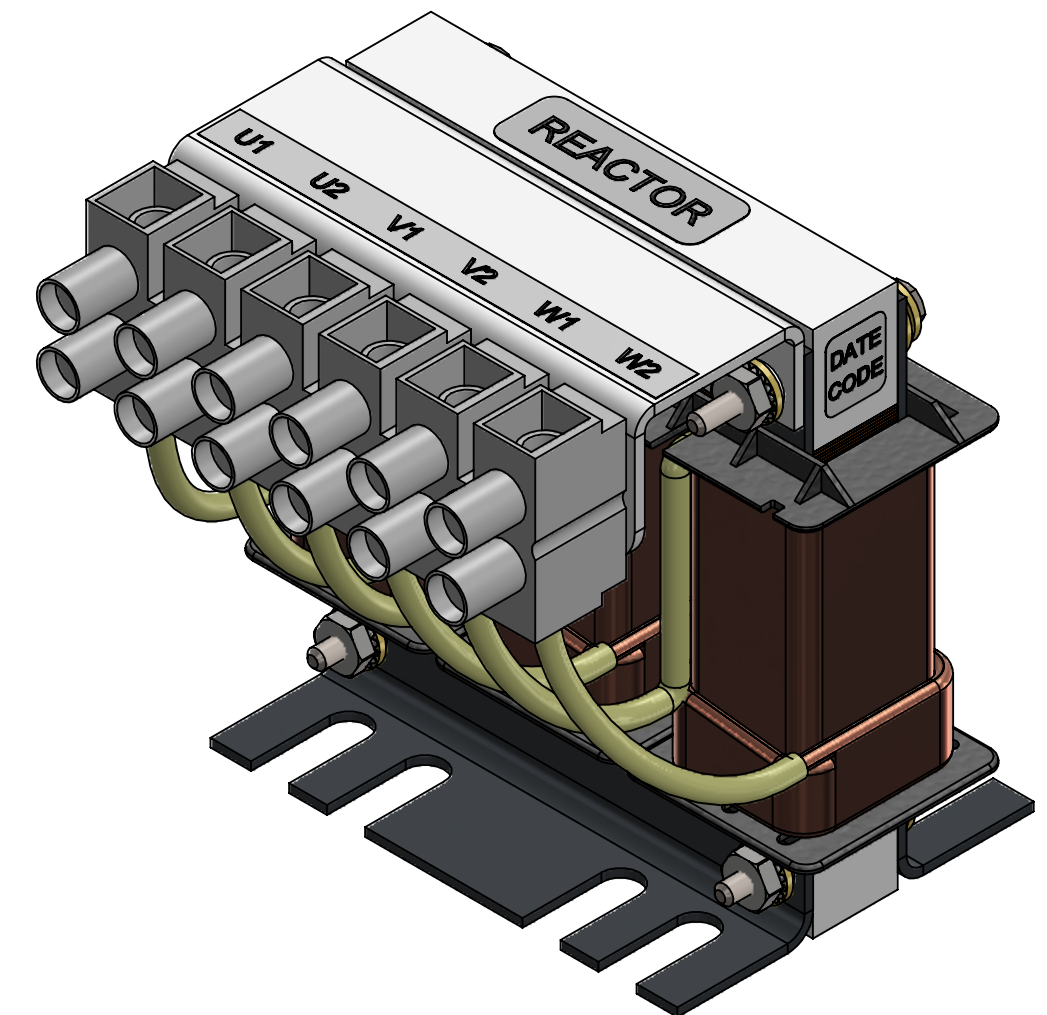
ECO No	DESCRIPTION	REV BY	DATE
M14111	ADDED RESISTOR DETAIL SHEET 2	CB	11/18/21



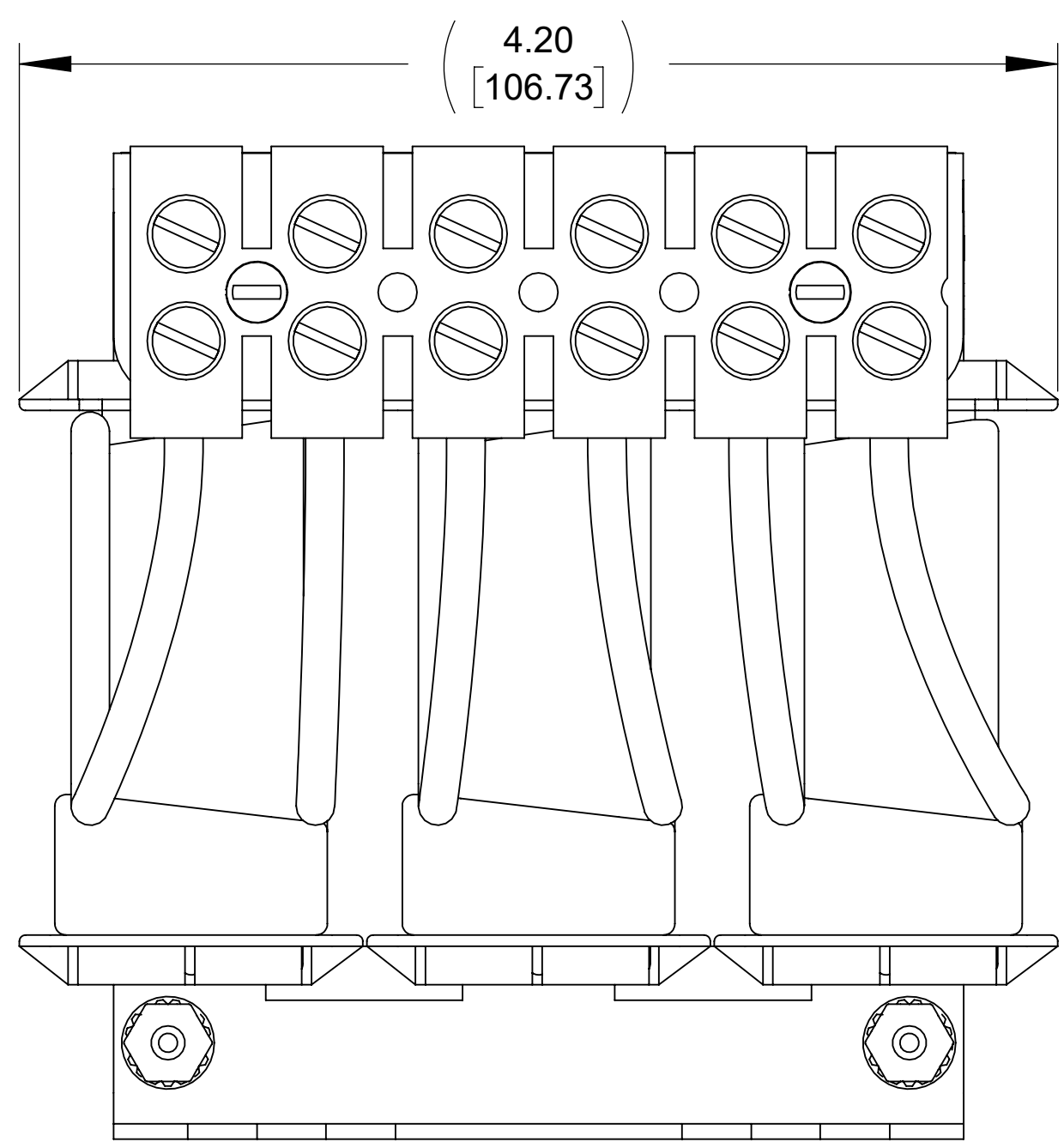
TOP VIEW



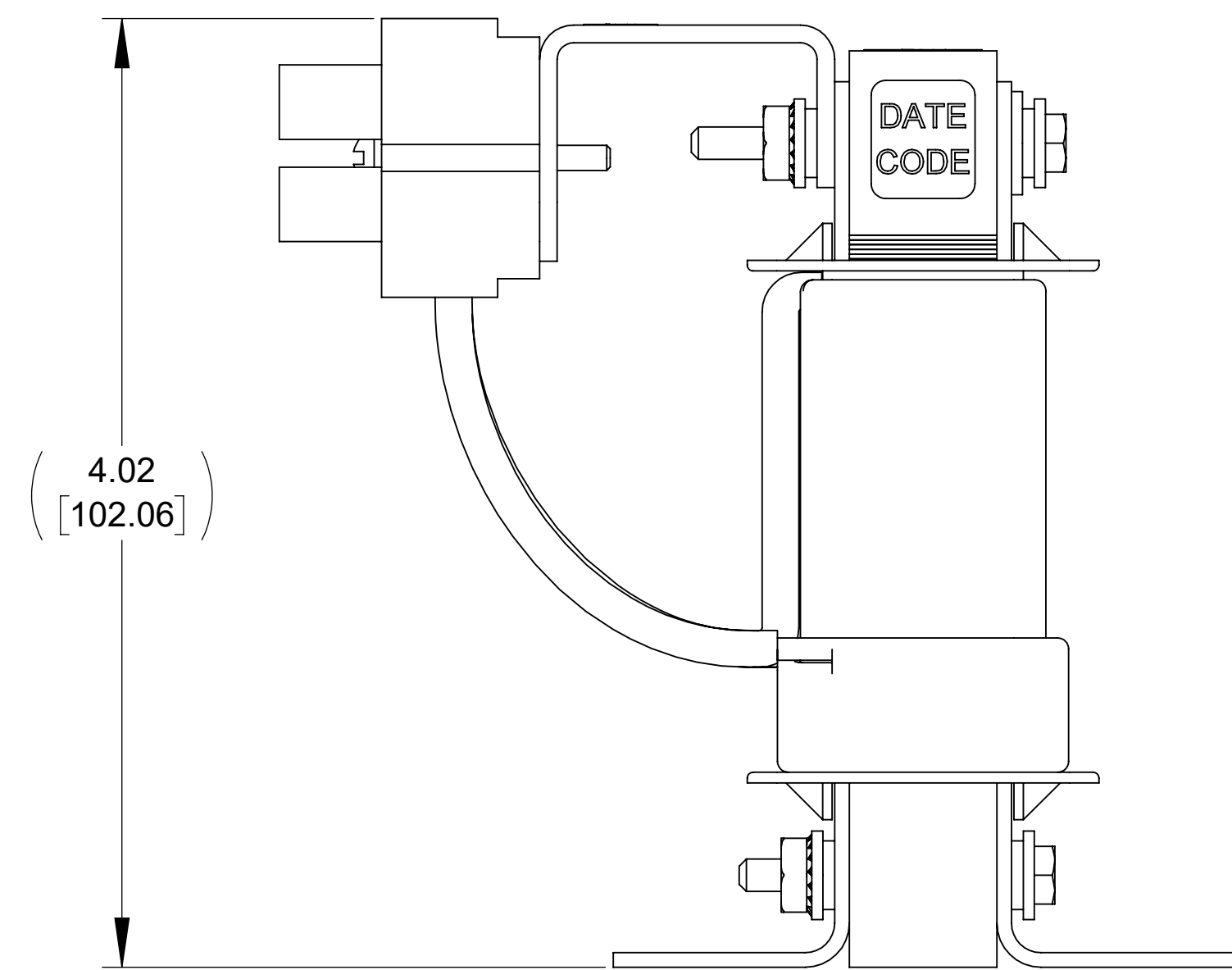
BOTTOM VIEW



CUSTOMER CONNECTION DETAIL VIEW




FRONT VIEW

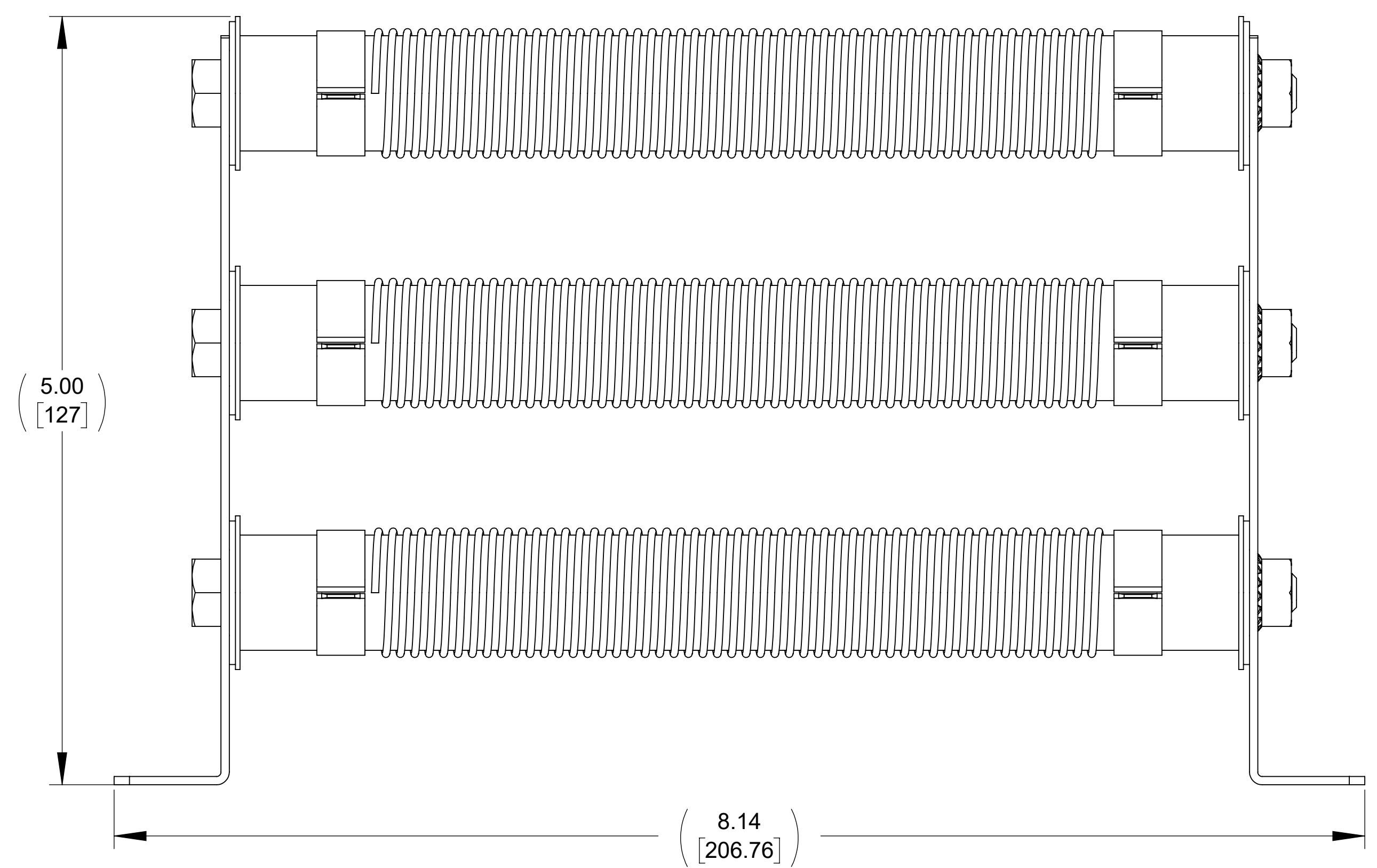


SIDE VIEW

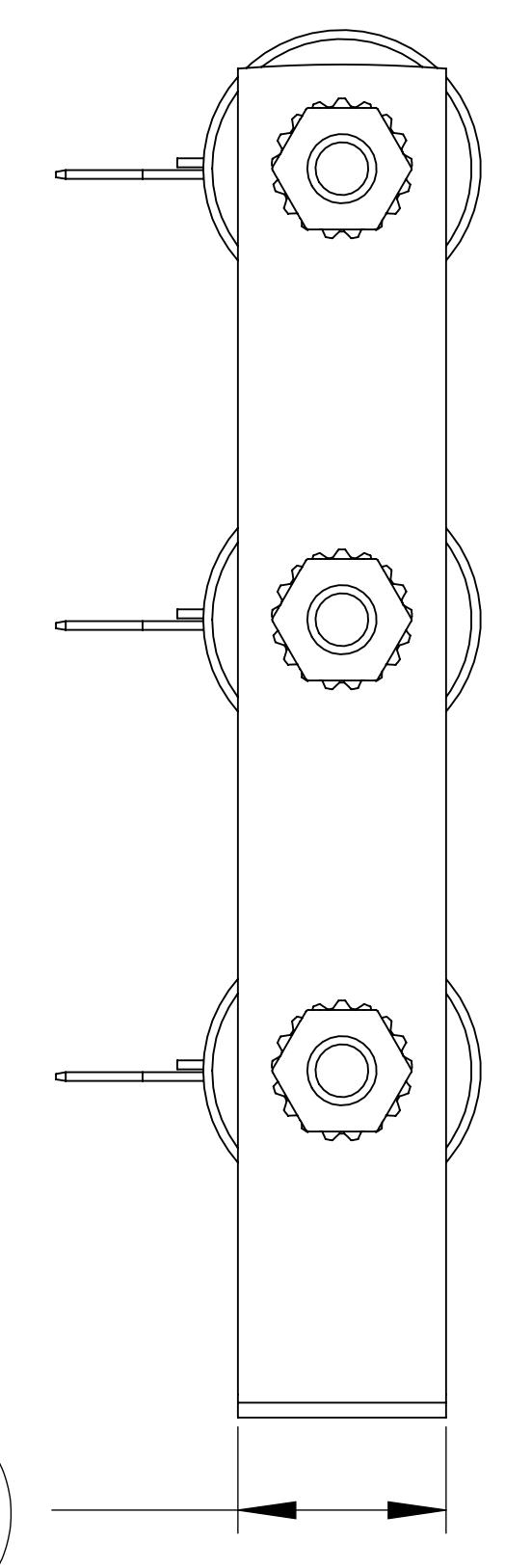
NOTES:

1. TERMINAL WIRE RANGE: 4-16 AWG.
2. TERMINAL SCREW TIGHTENING TORQUE: 16 INLBS.
3. REFER TO USER MANUAL FOR COMPLETE INSTALLATION INSTRUCTIONS.
4. FILTER INCLUDES: RESISTOR-191 (QTY. 1).

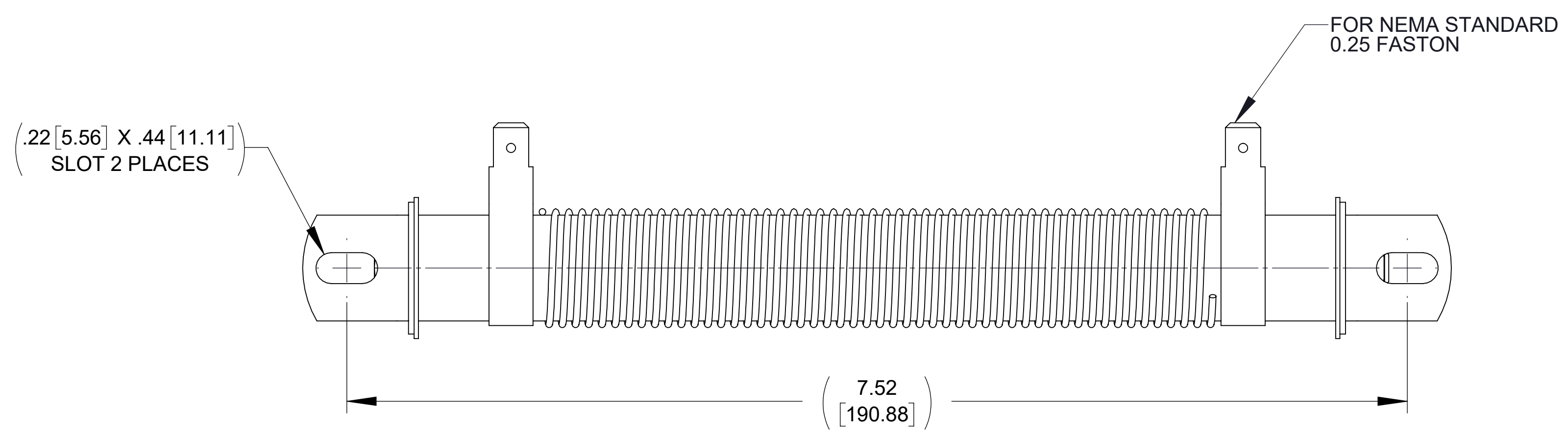
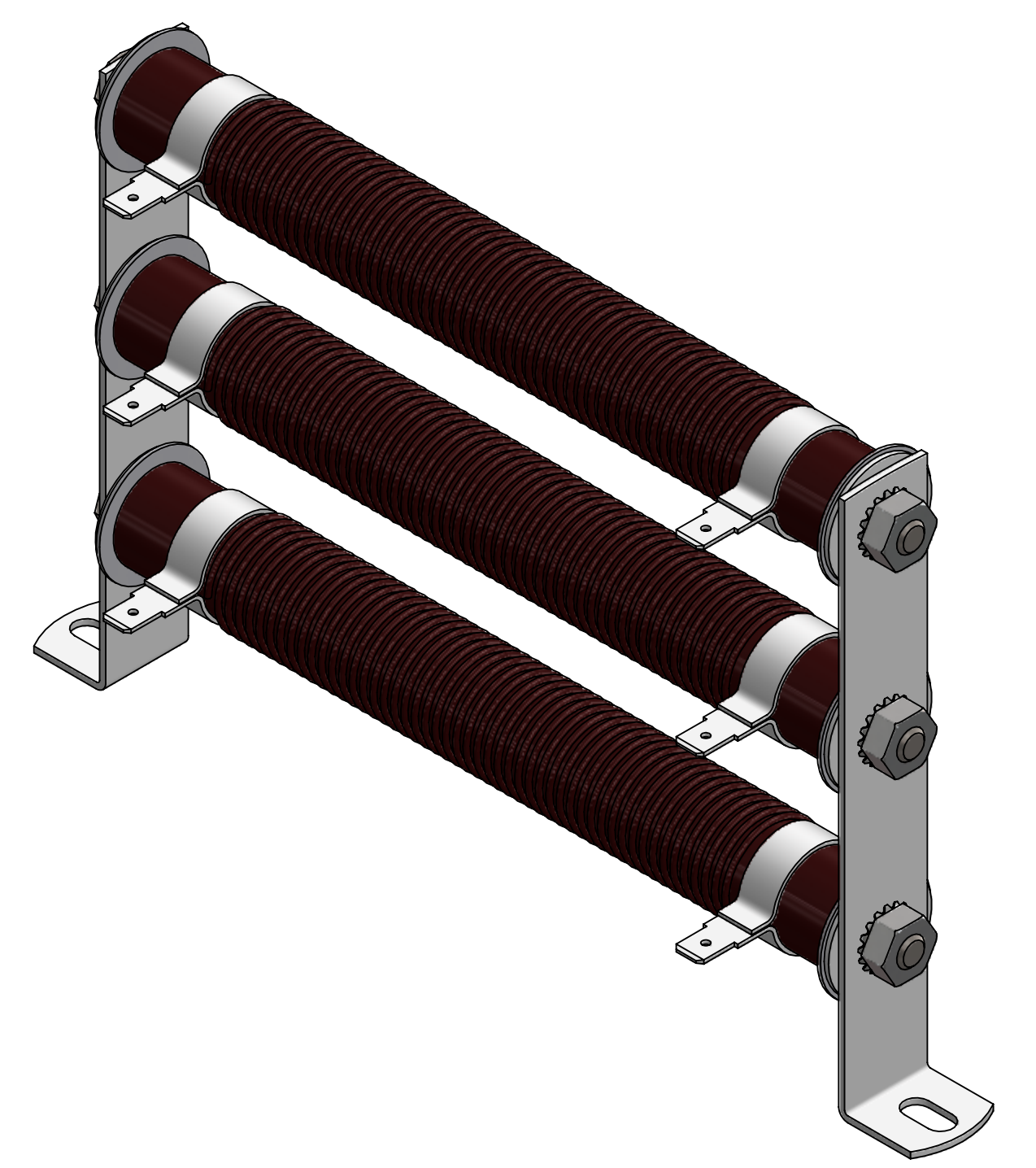
THE COMPONENT, PART OR ASSEMBLY DESCRIBED IN THIS DOCUMENT MUST COMPLY WITH THE EU (EUROPEAN UNION) DIRECTIVE RoHS2		DRAWN BY: KV	DATE 08/09/21	CONFIDENTIAL AND PROPRIETARY INFORMATION THIS DOCUMENT CONTAINS CONFIDENTIAL AND PROPRIETARY INFORMATION OF MTE CORPORATION AND MAY NOT BE USED, COPIED OR DISCLOSED TO OTHERS EXCEPT WITH THE AUTHORIZED WRITTEN PERMISSION OF MTE CORPORATION
CONTAINS <0.1% OF ANY SVHC BY WEIGHT PER REACH REGULATION		CHECKED BY: CB	DATE 11/18/21	
UNLESS OTHERWISE SPECIFIED DIMENSIONS ARE IN INCHES [MM] TOLERANCES ARE: ANGLES: ± 1° 1 PLACE .X: ± .1 [2.5] 2 PLACE .XX: ± .03 [0.76] 3 PLACE .XXX: ± .010 [0.254]		ME APPROVED BY: DP	DATE 11/18/21	DESCRIPTION DVDT E SERIES 27A KIT 208-600V 2-4kHz
 <p>N83 W13330 Leon Road Menomonee Falls, WI 53051 USA 800.455.4683 262.253.8200</p>		RE APPROVED BY: PY	DATE 11/18/21	
		SIZE D	DWG No. CD DVTK0027E	REV 01
		SCALE 3:2	Sheet1	SHEET 1 OF 2



FRONT VIEW



SIDE VIEW



BOTTOM VIEW

THE COMPONENT, PART OR ASSEMBLY DESCRIBED IN THIS DOCUMENT MUST COMPLY WITH THE EU (EUROPEAN UNION) DIRECTIVE RoHS2 CONTAINS <0.1% OF ANY SVHC BY WEIGHT PER REACH REGULATION		DRAWN BY: KV DATE: 08/09/21	CONFIDENTIAL AND PROPRIETARY INFORMATION THIS DOCUMENT CONTAINS CONFIDENTIAL AND PROPRIETARY INFORMATION OF MTE CORPORATION AND MAY NOT BE USED, COPIED OR DISCLOSED TO OTHERS EXCEPT WITH THE AUTHORIZED WRITTEN PERMISSION OF MTE CORPORATION
UNLESS OTHERWISE SPECIFIED DIMENSIONS ARE IN INCHES [MM] TOLERANCES ARE: ANGLES: ± 1 ° 1 PLACE .X: ± .1 [2.5] 2 PLACE .XX: ± .03 [0.76] 3 PLACE .XXX: ± .010 [0.254]		CHECKED BY: CB DATE: 11/18/21	
<p>N83 W13330 Leon Road Menomonee Falls, WI 53051 USA 800.455.4683 262.253.8200</p>		ME APPROVED BY: DP DATE: 11/18/21	SIZE: D DWG No. CD DVTK0027E REV: 01
		RE APPROVED BY: PY DATE: 11/18/21	SCALE: 3:2 Sheet2