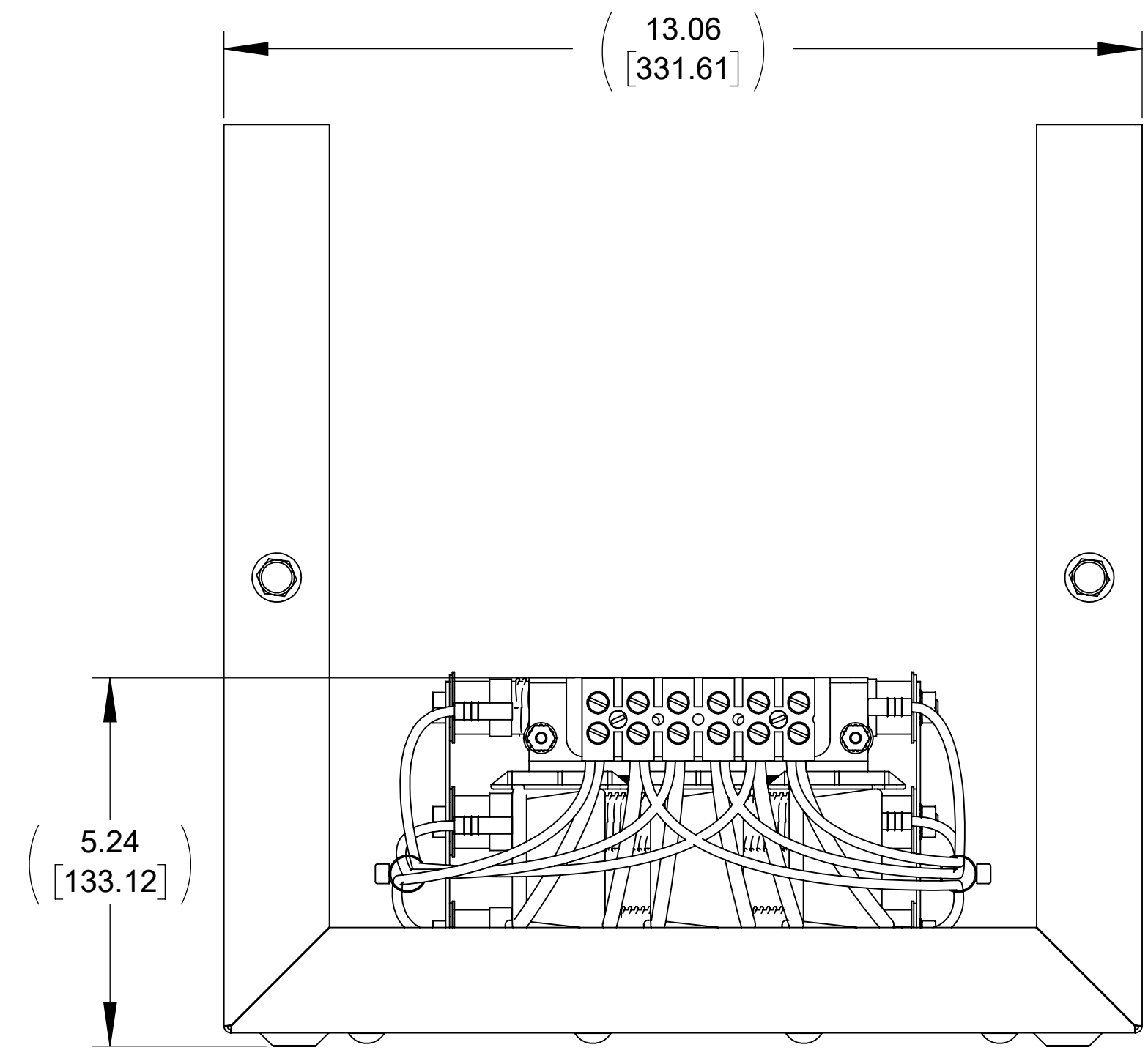
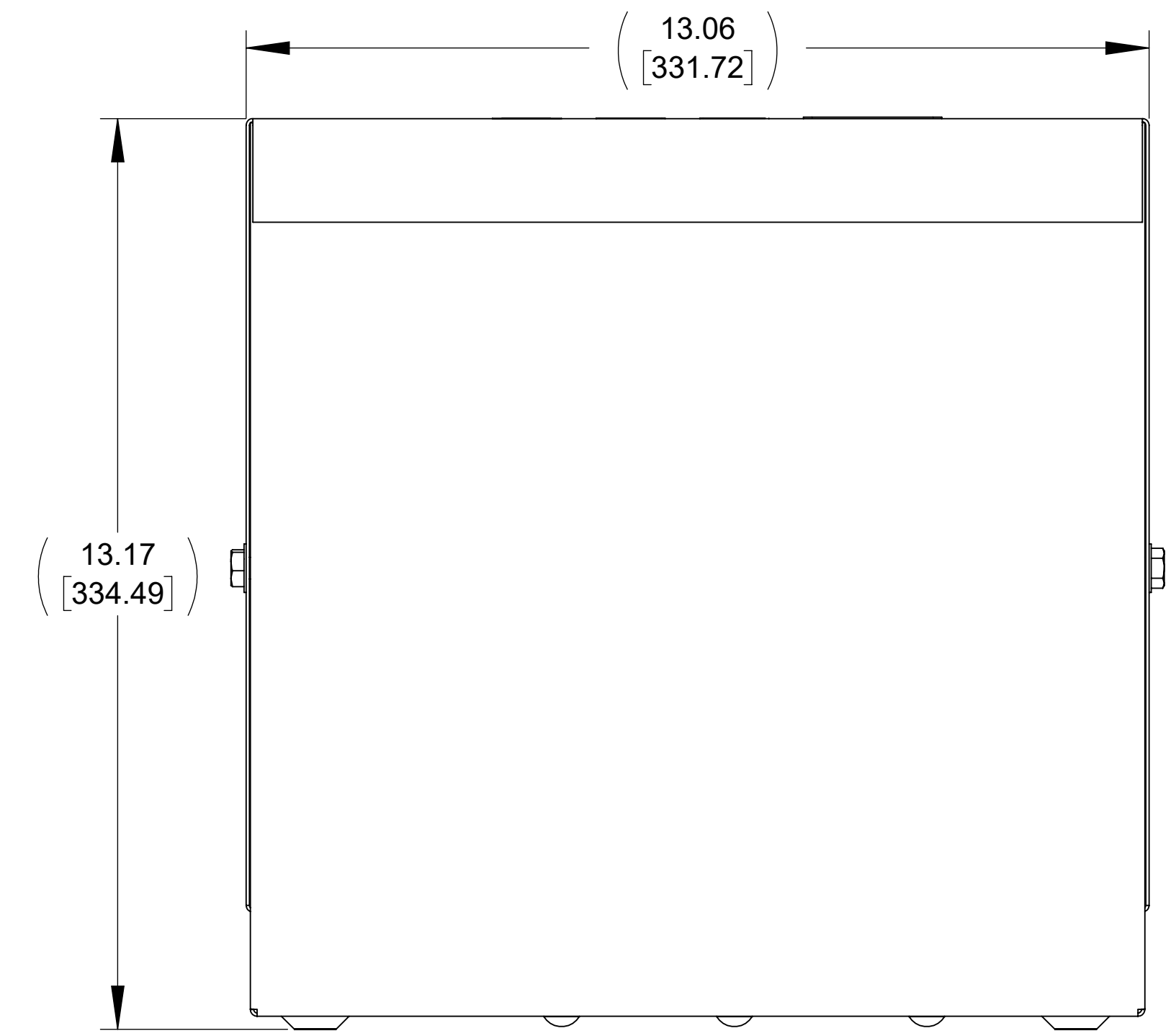


APPROX. WEIGHT (LBS)
22

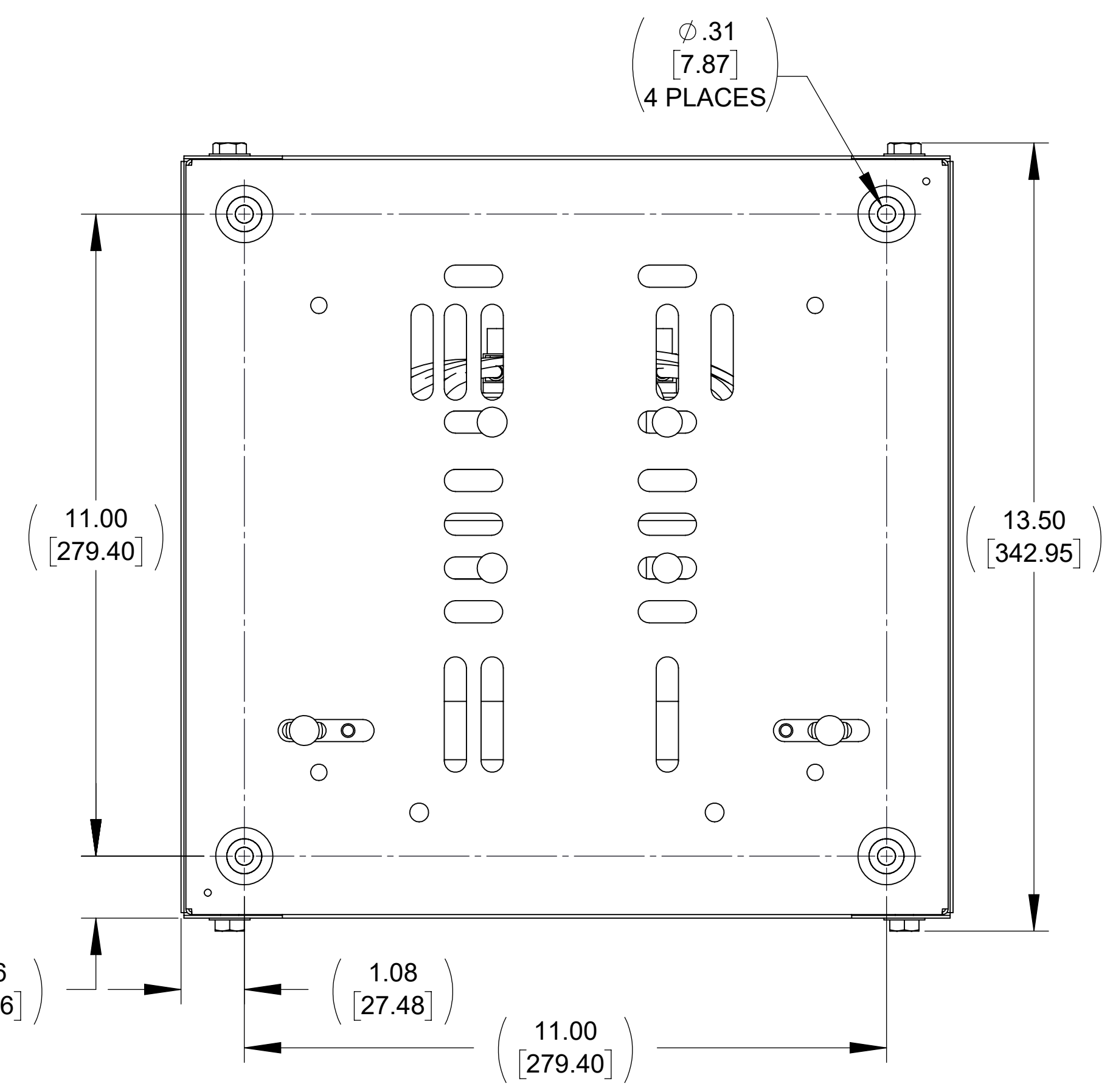
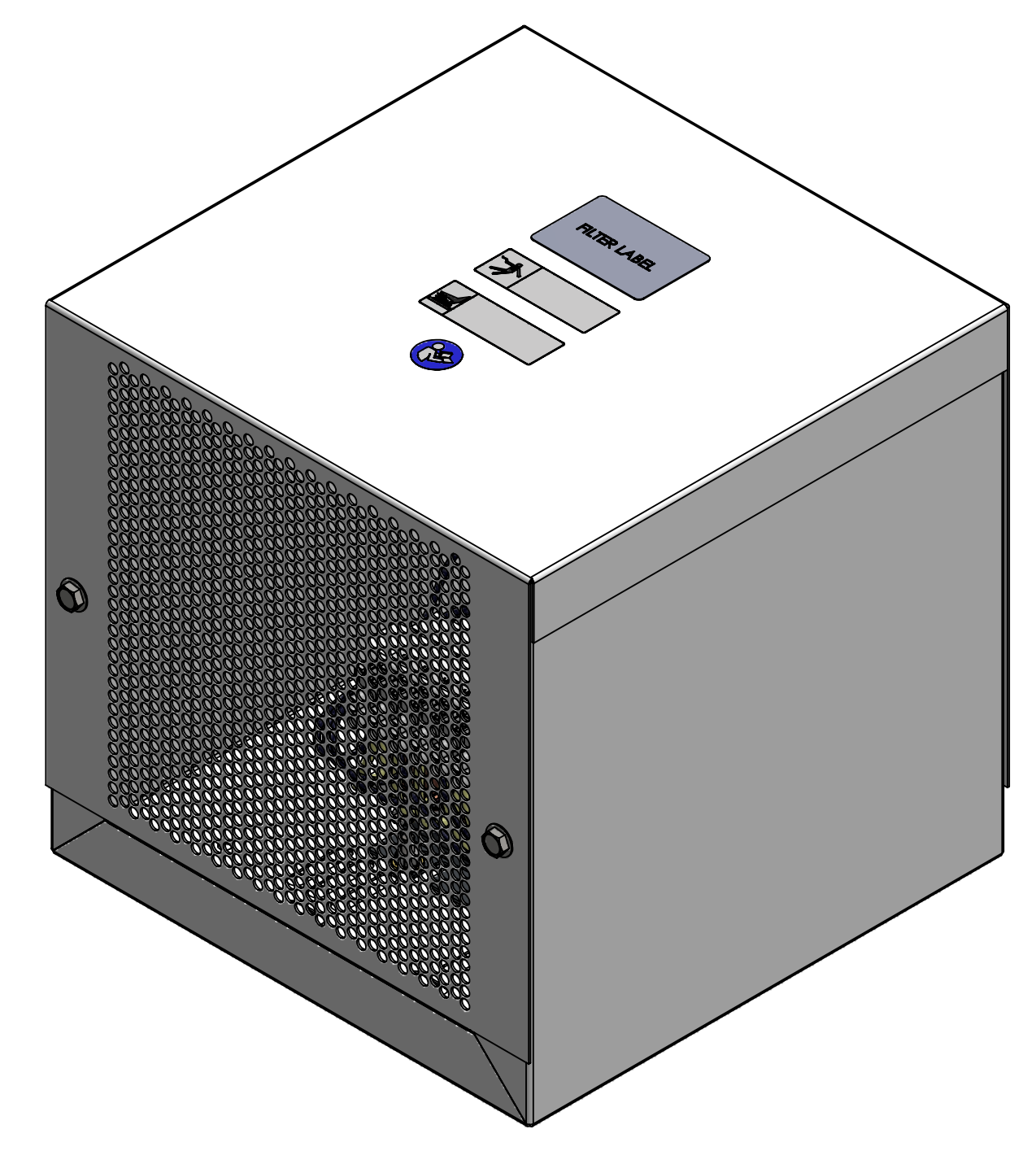
ECO No	DESCRIPTION	REV BY	DATE
M13966	RELEASED TO PRODUCTION	JD	11/09/21



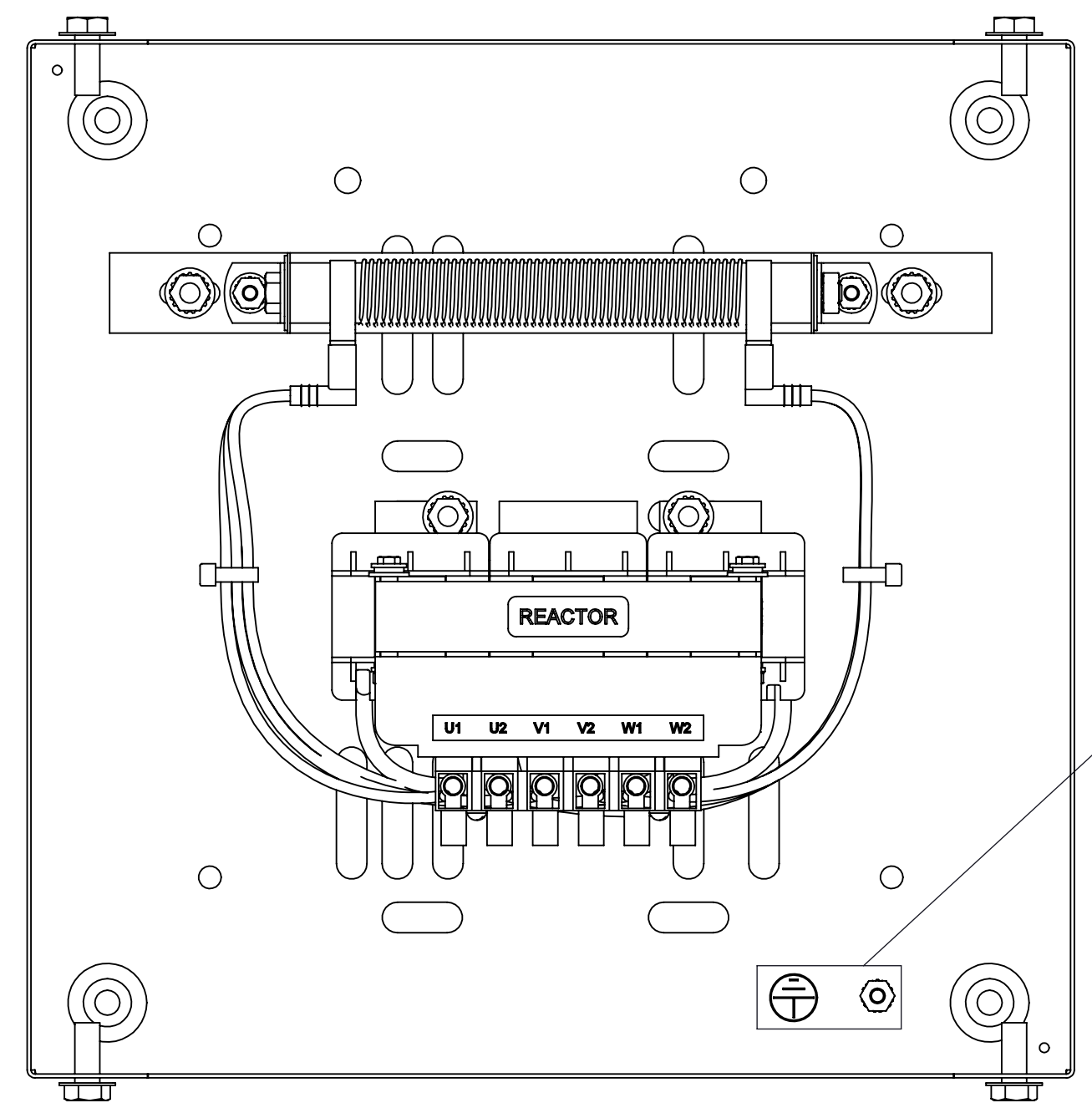
**FRONT VIEW
(PANELS REMOVED)**



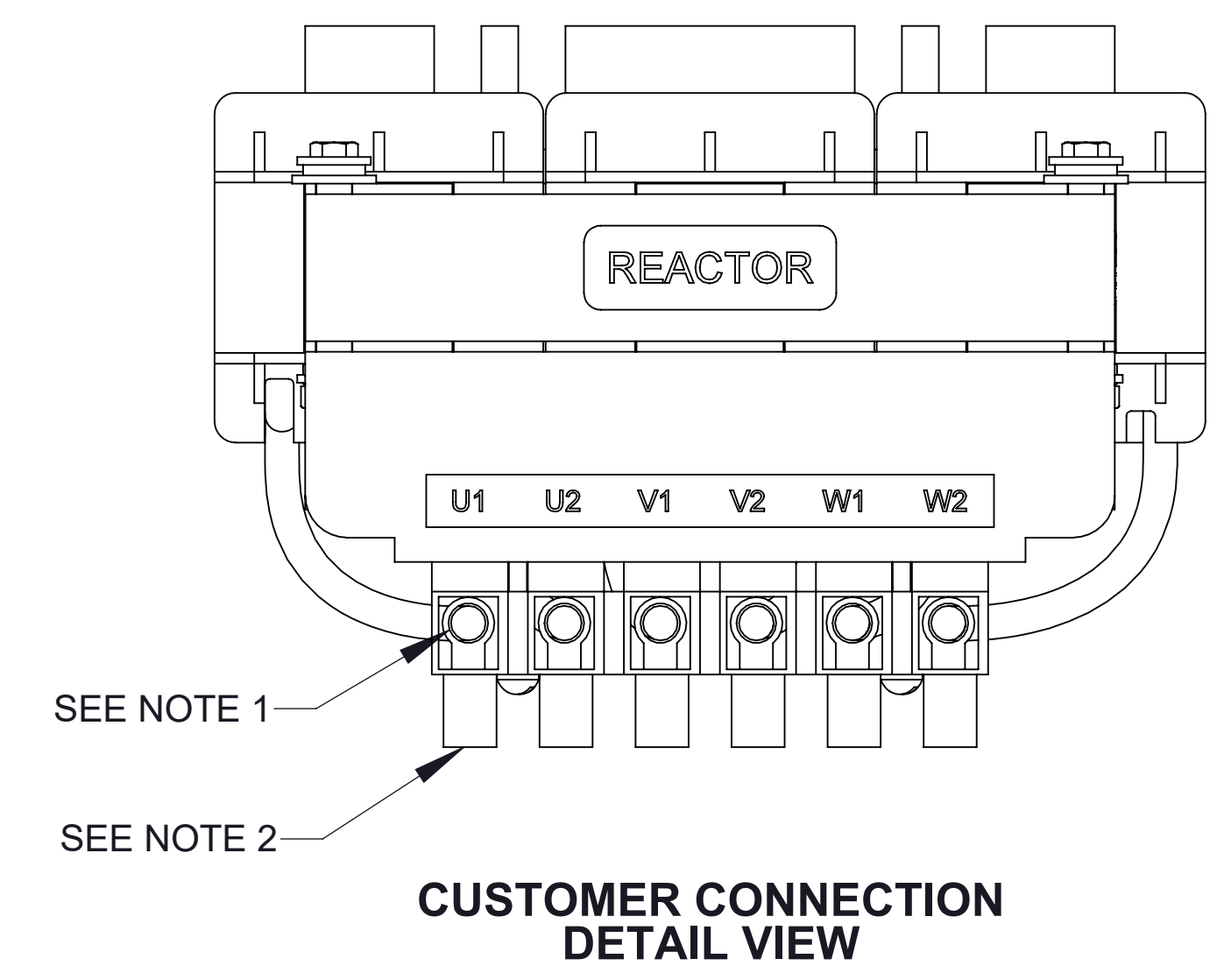
SIDE VIEW



BOTTOM VIEW



**TOP VIEW
(PANELS REMOVED)**



**CUSTOMER CONNECTION
DETAIL VIEW**

NOTES:

1. TERMINAL WIRE RANGE: 10-22 AWG.
2. TERMINAL SCREW TIGHTENING TORQUE: 4.5 INLBS.
3. REFER TO USER MANUAL FOR COMPLETE INSTALLATION INSTRUCTIONS.

<p>THE COMPONENT, PART OR ASSEMBLY DESCRIBED IN THIS DOCUMENT MUST COMPLY WITH THE EU (EUROPEAN UNION) DIRECTIVE RoHS2</p> <p>CONTAINS <0.1% OF ANY SVHC BY WEIGHT PER REACH REGULATION</p>		<p>DRAWN BY: KV</p> <p>DATE: 08/19/21</p>	<p>CONFIDENTIAL AND PROPRIETARY INFORMATION</p> <p>THIS DOCUMENT CONTAINS CONFIDENTIAL AND PROPRIETARY INFORMATION OF MTE CORPORATION AND MAY NOT BE USED, COPIED OR DISCLOSED TO OTHERS EXCEPT WITH THE AUTHORIZED WRITTEN PERMISSION OF MTE CORPORATION</p>
<p>UNLESS OTHERWISE SPECIFIED DIMENSIONS ARE IN INCHES [MM] TOLERANCES ARE:</p> <p>ANGLES: ± 1°</p> <p>1 PLACE .X: ± .1 [2.5]</p> <p>2 PLACE .XX: ± .03 [0.76]</p> <p>3 PLACE .XXX: ± .010 [0.254]</p>		<p>CHECKED BY: JD</p> <p>DATE: 11/09/21</p> <p>ME APPROVED BY: DP</p> <p>DATE: 11/09/21</p> <p>RE APPROVED BY: PY</p> <p>DATE: 11/09/21</p>	
<p>MTE POWER QUALITY SOLVED. A STEEL PARTNERS COMPANY</p> <p>N83 W13330 Leon Road Menomonone Falls, WI 53051 USA 800.455.4683 262.253.8200</p>		<p>SIZE: D</p> <p>SCALE: 1:2</p>	<p>DWG No: CD DVTG0055E</p> <p>REV: 00</p> <p>SHEET 1 OF 1</p>