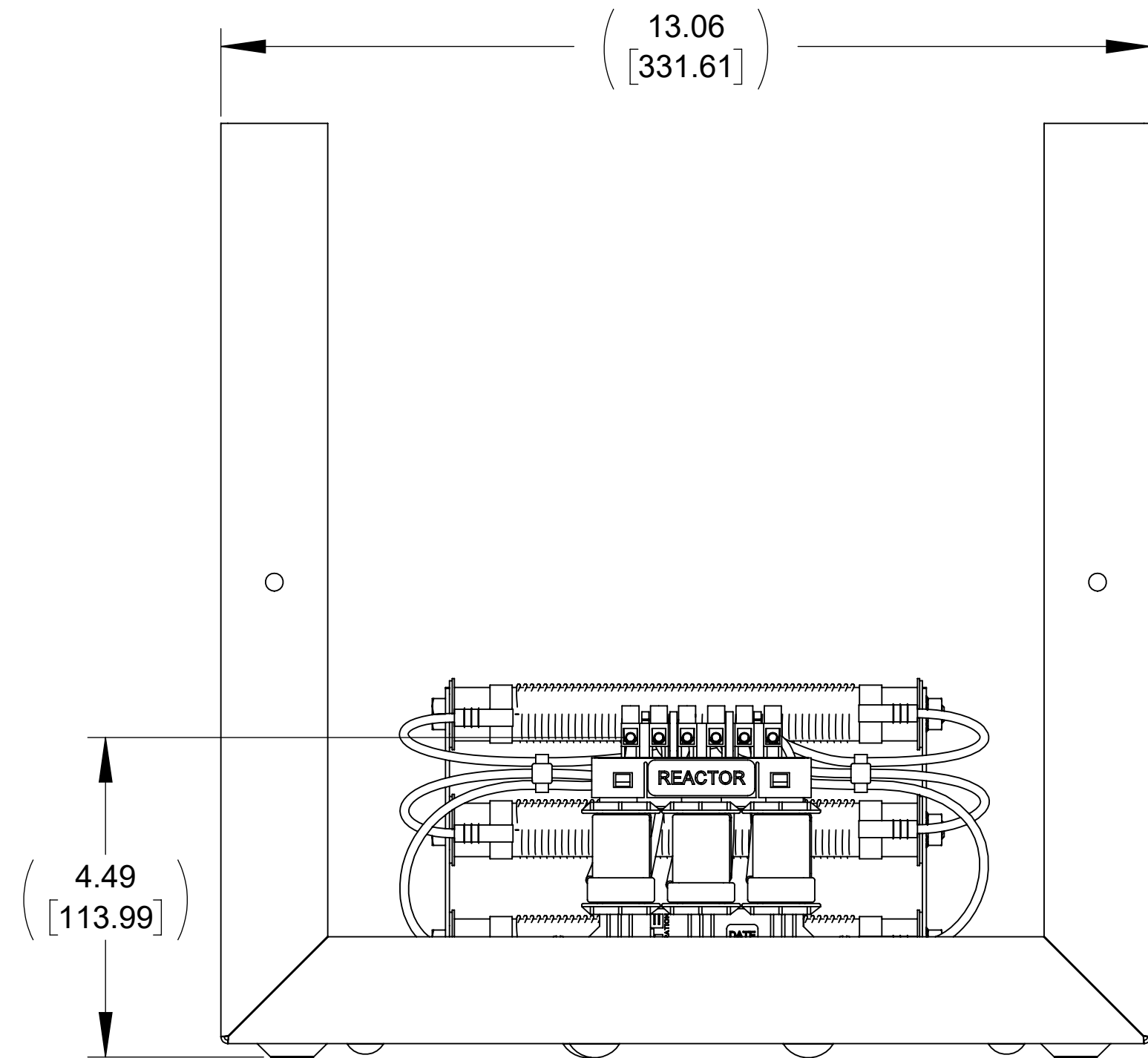
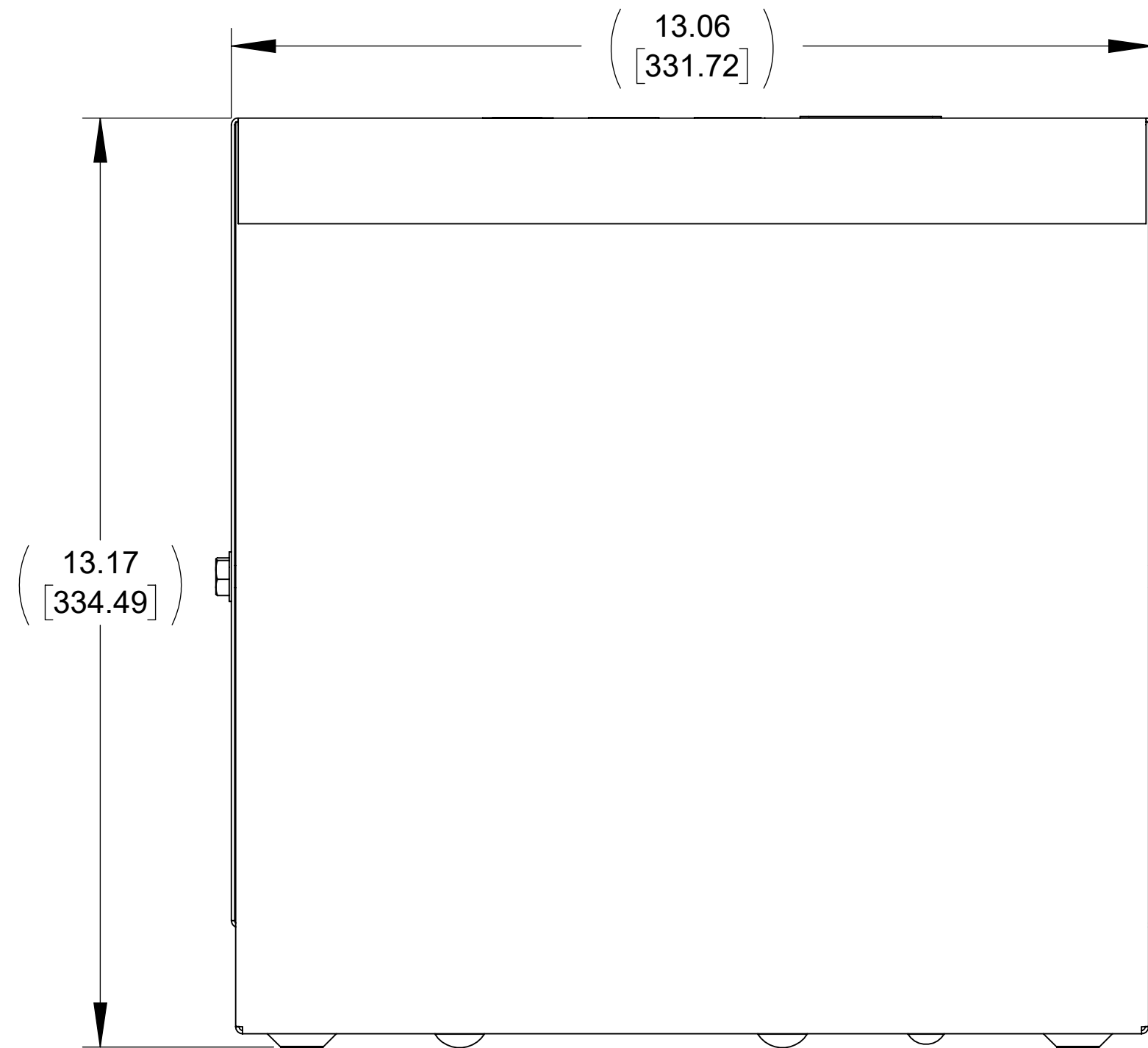


APPROX. WEIGHT (LBS)  
18

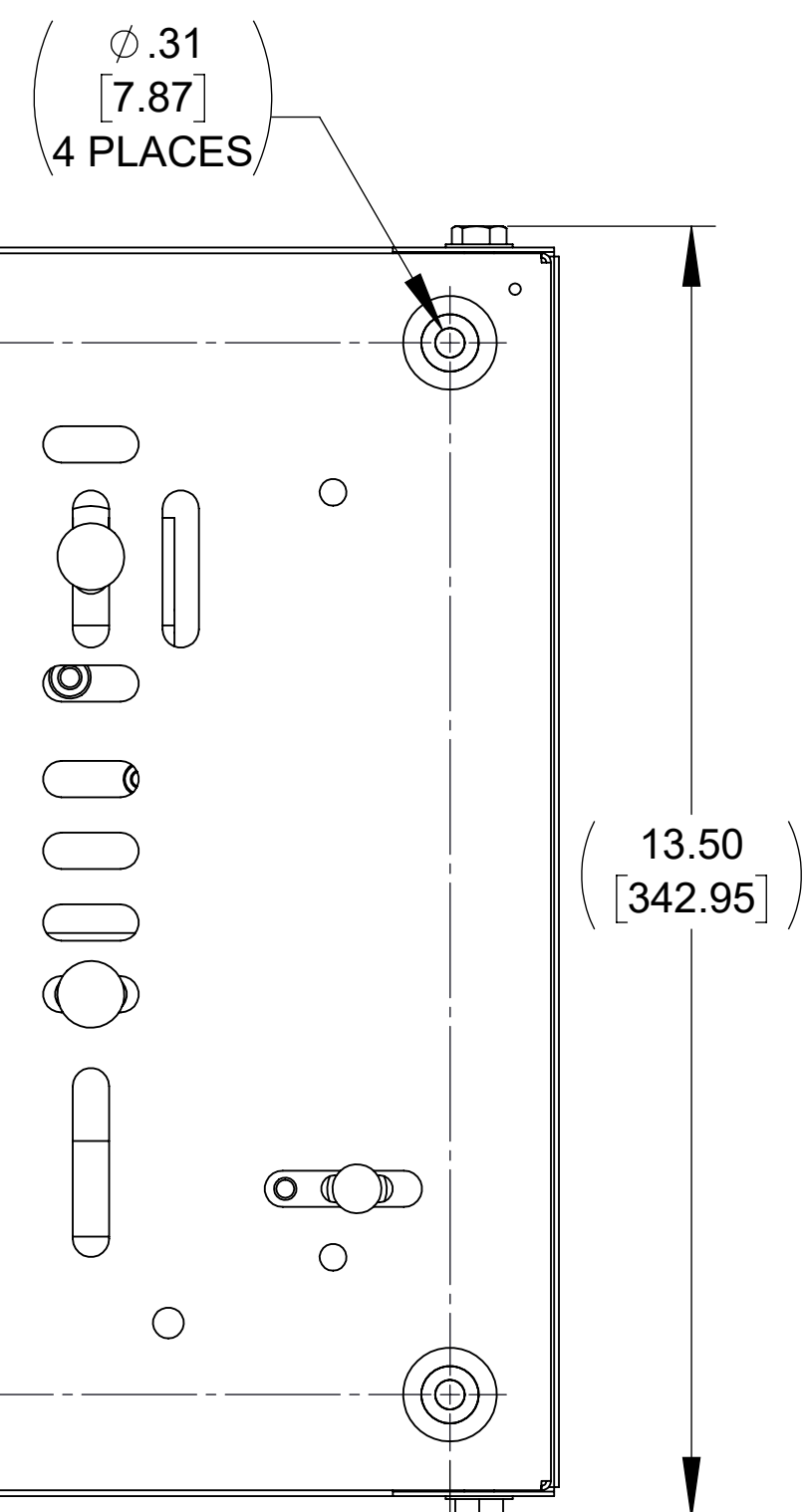
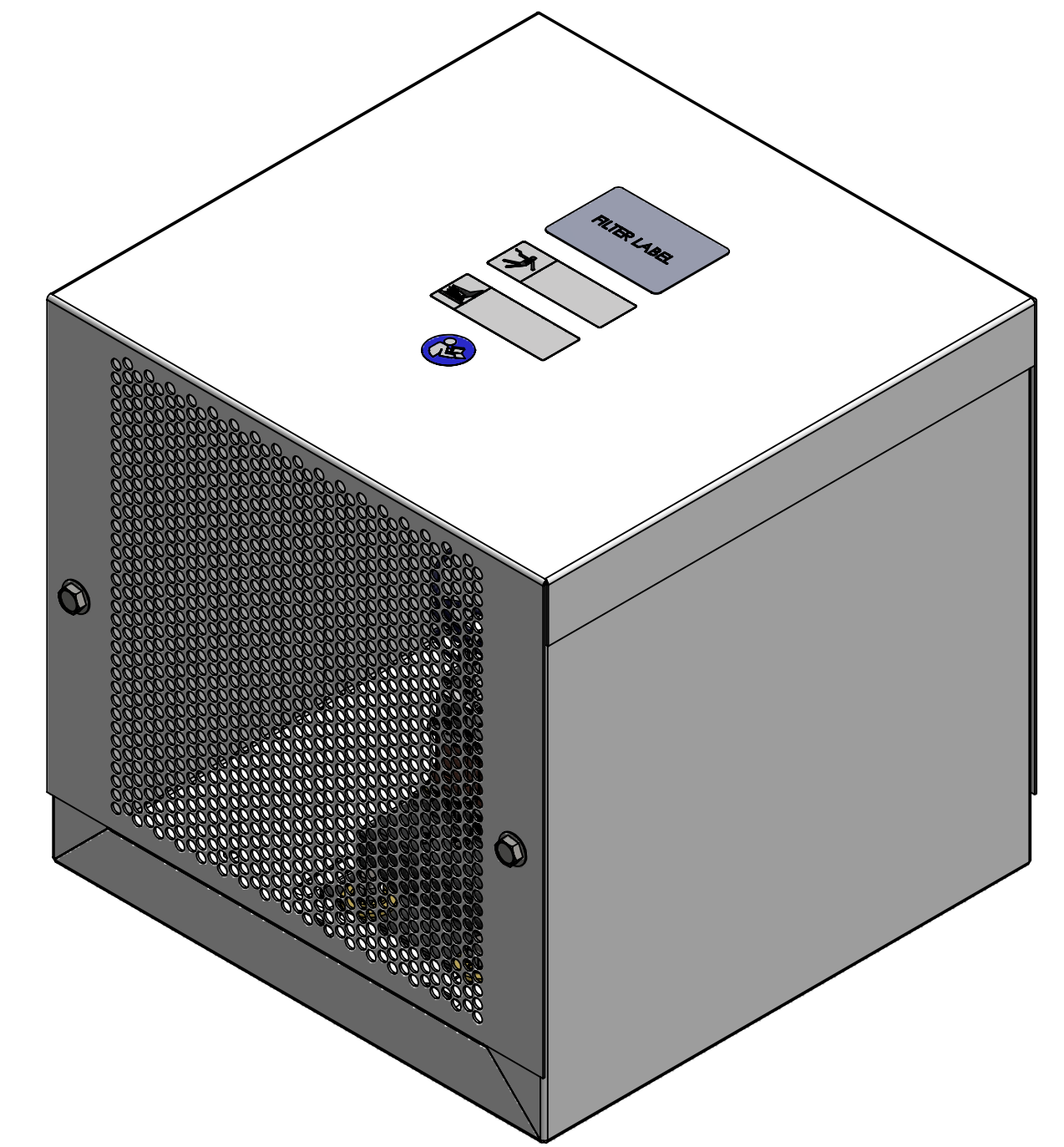
ECO No	DESCRIPTION	REV BY	DATE
M13960	RELEASED TO PRODUCTION	CB	11/05/21



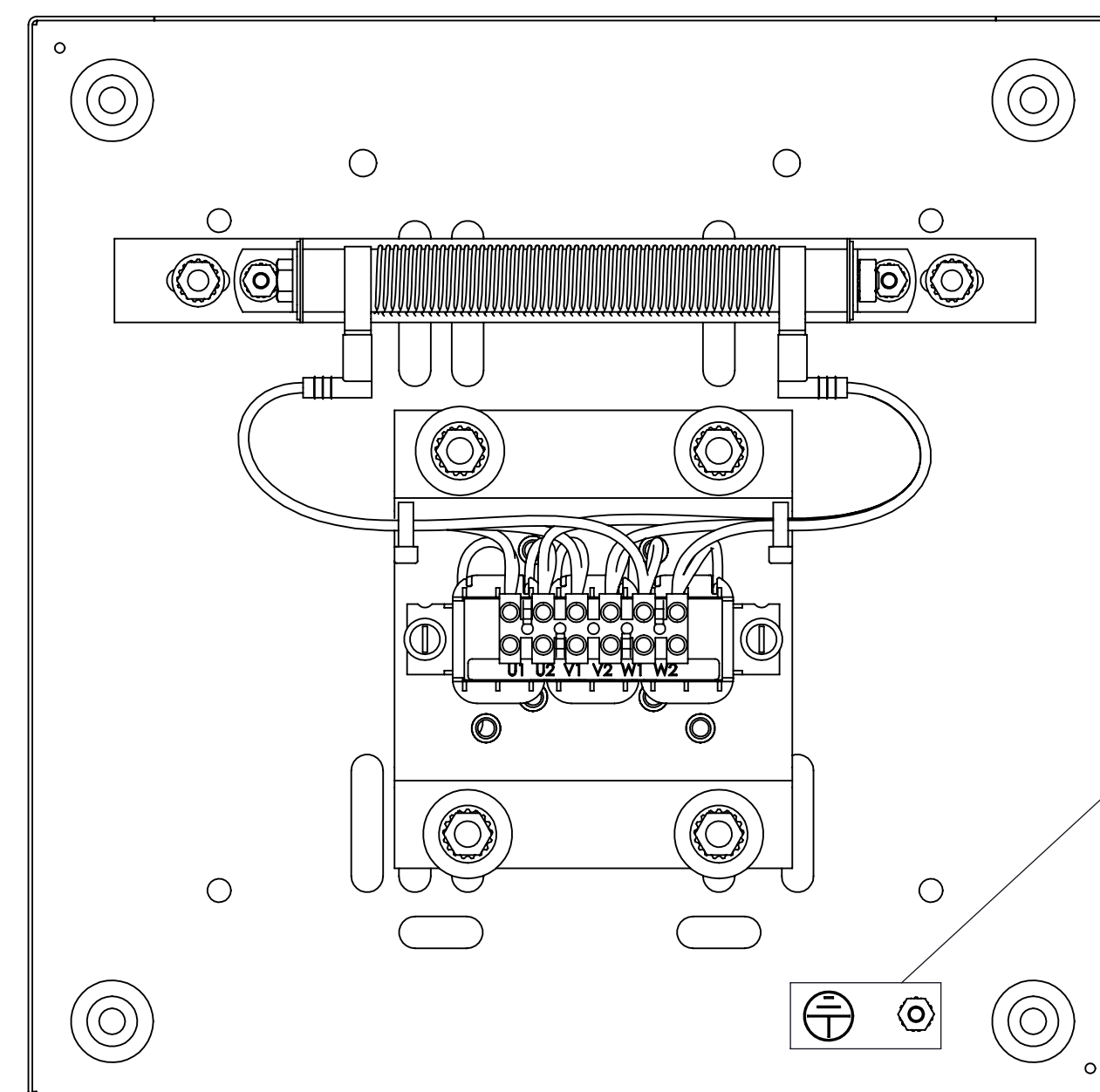
FRONT VIEW  
(PANELS REMOVED)



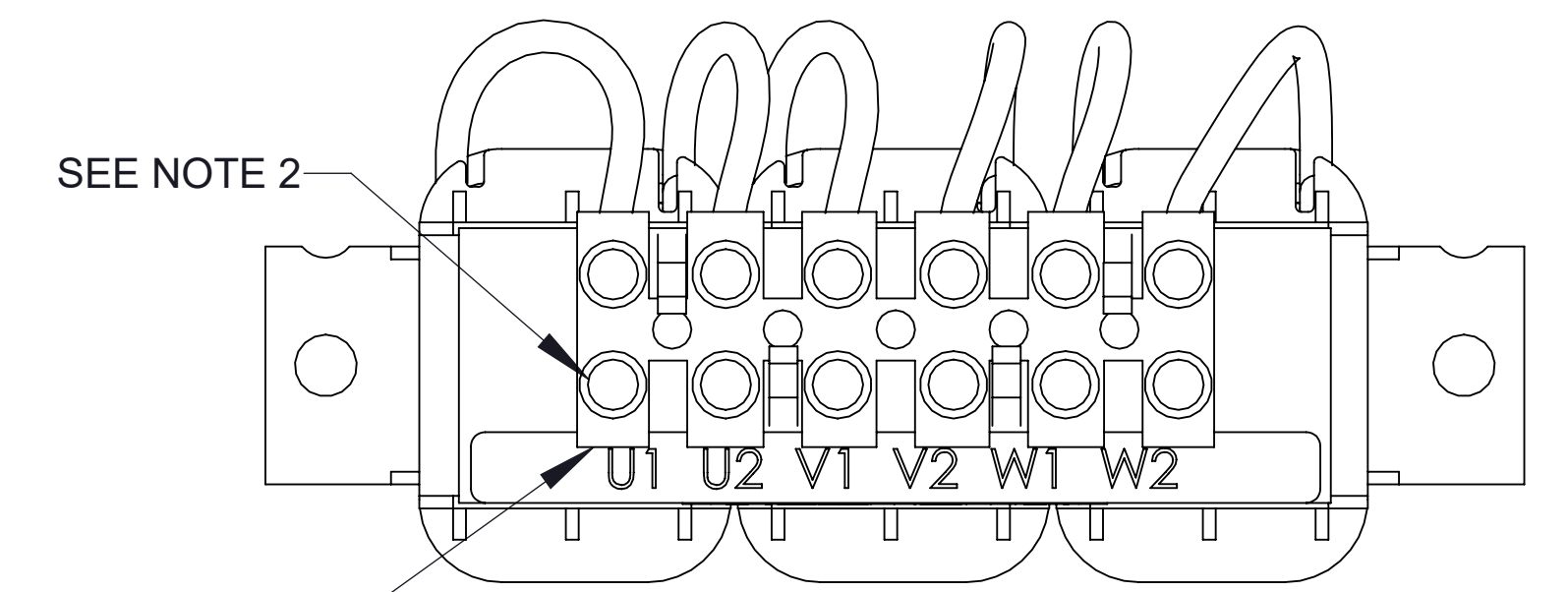
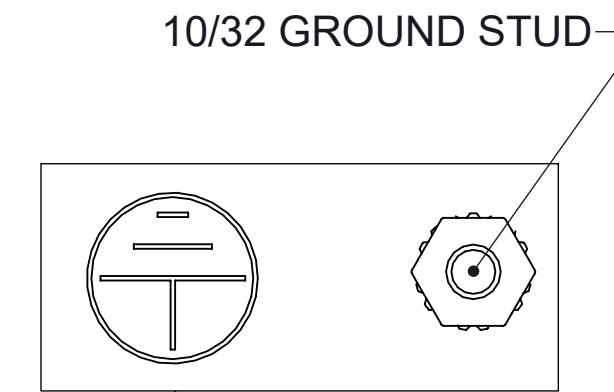
SIDE VIEW



BOTTOM VIEW



TOP VIEW  
(PANELS REMOVED)



CUSTOMER CONNECTION  
DETAIL VIEW

**NOTES:**

1. TERMINAL WIRE RANGE: 10-22 AWG.
2. TERMINAL SCREW TIGHTENING TORQUE: 4.5 IN/LBS.
3. REFER TO USER MANUAL FOR COMPLETE INSTALLATION INSTRUCTIONS.

THE COMPONENT, PART OR ASSEMBLY DESCRIBED IN THIS DOCUMENT MUST COMPLY WITH THE EU (EUROPEAN UNION) DIRECTIVE RoHS2		DRAWN BY: KV	DATE 08/19/21	CONFIDENTIAL AND PROPRIETARY INFORMATION THIS DOCUMENT CONTAINS CONFIDENTIAL AND PROPRIETARY INFORMATION OF MTE CORPORATION AND MAY NOT BE USED, COPIED OR DISCLOSED TO OTHERS EXCEPT WITH THE AUTHORIZED WRITTEN PERMISSION OF MTE CORPORATION
CONTAINS <0.1% OF ANY SVHC BY WEIGHT PER REACH REGULATION		CHECKED BY: CB	DATE 11/05/21	
UNLESS OTHERWISE SPECIFIED DIMENSIONS ARE IN INCHES [MM] TOLERANCES ARE: ANGLES: ± 1 ° 1 PLACE .X: ± .1 [2.5] 2 PLACE .XX: ± .03 [0.76] 3 PLACE .XXX: ± .010 [0.254]		ME APPROVED BY: DP	DATE 11/08/21	DESCRIPTION <b>DVDT E SERIES 3A 208-600V 2-4kHz FILTER, NEMA 1/2</b>
<p>N83 W13330 Leon Road Menomonee Falls, WI 53051 USA 800.455.4683 262.253.8200</p>		RE APPROVED BY: PY	DATE 11/09/21	
		SIZE D	DWG No. CD DVTG0003E	REV 01
		SCALE 1:2	Sheet1	SHEET 1 OF 1