

Basic Setup Steps

1. Power the module and connect to network.
2. Set IP address on computer to be on the same network as the module. (Example: Set computer to 192.168.1.50)
3. To configure the module, open a web browser and enter:
`http://192.168.1.2/setup.html`
4. Assign permanent IP address to module, then restart module.
5. Restore computer's IP address, if necessary, and access the module at its new IP address to finish setup.

Factory Default Settings

IP Address: 192.168.1.2

Subnet Mask: 255.255.255.0

Control Page Web Address: `http://192.168.1.2`

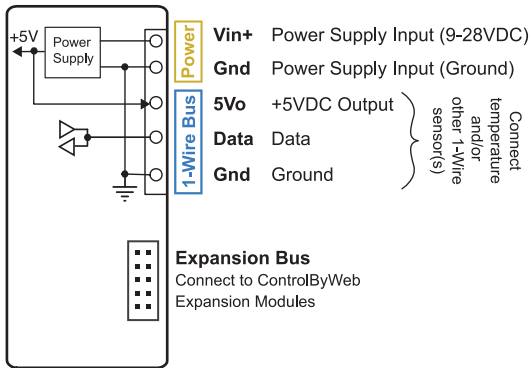
Control Password: *(no password set)*

Setup Page Web Address: `http://192.168.1.2/setup.html`

Setup Username: admin

Setup Password: webrelay *(all lower case)*

X-400 | Pinout Diagram



Warning: The maximum number of attached expansion modules is determined by power supply voltage and current, and type of modules attached. For some installations, additional power supplies and expansion bus power injectors may be required.



www.ControlByWeb.com

1681 West 2960 South, Nibley, UT 84321, USA