



## Temperature Module Quick Start Guide

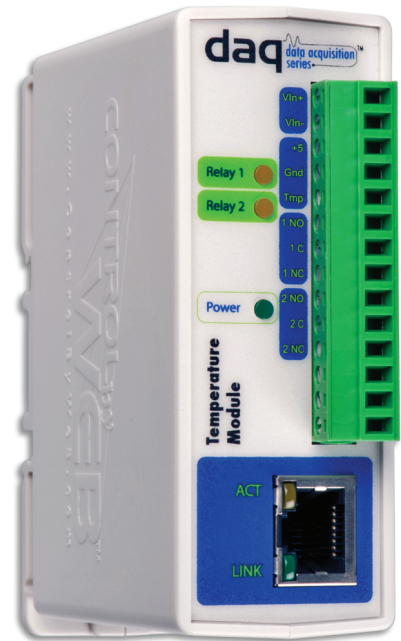
### Basic Setup Steps:

- (1) Connect unit to power and network.
- (2) Set up a computer on the same network as the Temperature Module. To do this, set the IP address of the computer to 192.168.1.50 with a netmask of 255.255.255.0.
- (3) Configure the Temperature Module using web browser. Do this by pointing browser to <http://192.168.1.2/setup.html>.

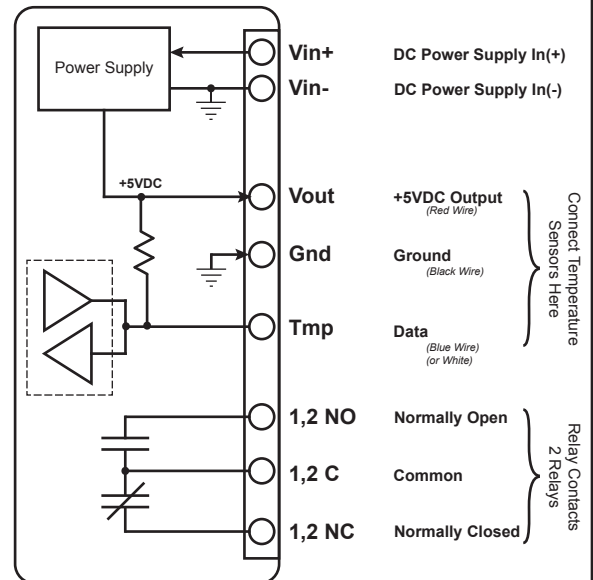
Username is **admin** and password is **webrelay** (all lower case).

- (4) Set the permanent IP address in the configuration page. Restart the Temperature Module (remove power, re-apply power).

After restarting the unit, set the computer back to its original settings and access the Temperature Module at its new IP address.



### Pinout



Note: The Temperature Module can be configured to operate at 10Mbps or 100Mbps. For best power savings and long term performance the 10Mbps setting is recommended.

### Factory Default Settings

IP Address: 192.168.1.2  
 Subnet Mask: 255.255.255.0  
 Control Web Address: <http://192.168.1.2>  
 Setup Web Address: <http://192.168.1.2/setup.html>  
 Setup Username: admin  
 Setup Password: webrelay (all lower case)  
 Control Password: no password set

Full Users Manual may be downloaded from <http://www.ControlByWeb.com>

For technical support, email questions to [support@ControlByWeb.com](mailto:support@ControlByWeb.com)



a division of...  
 Xytronix Research & Design, Inc.  
 Nibley, Utah, USA