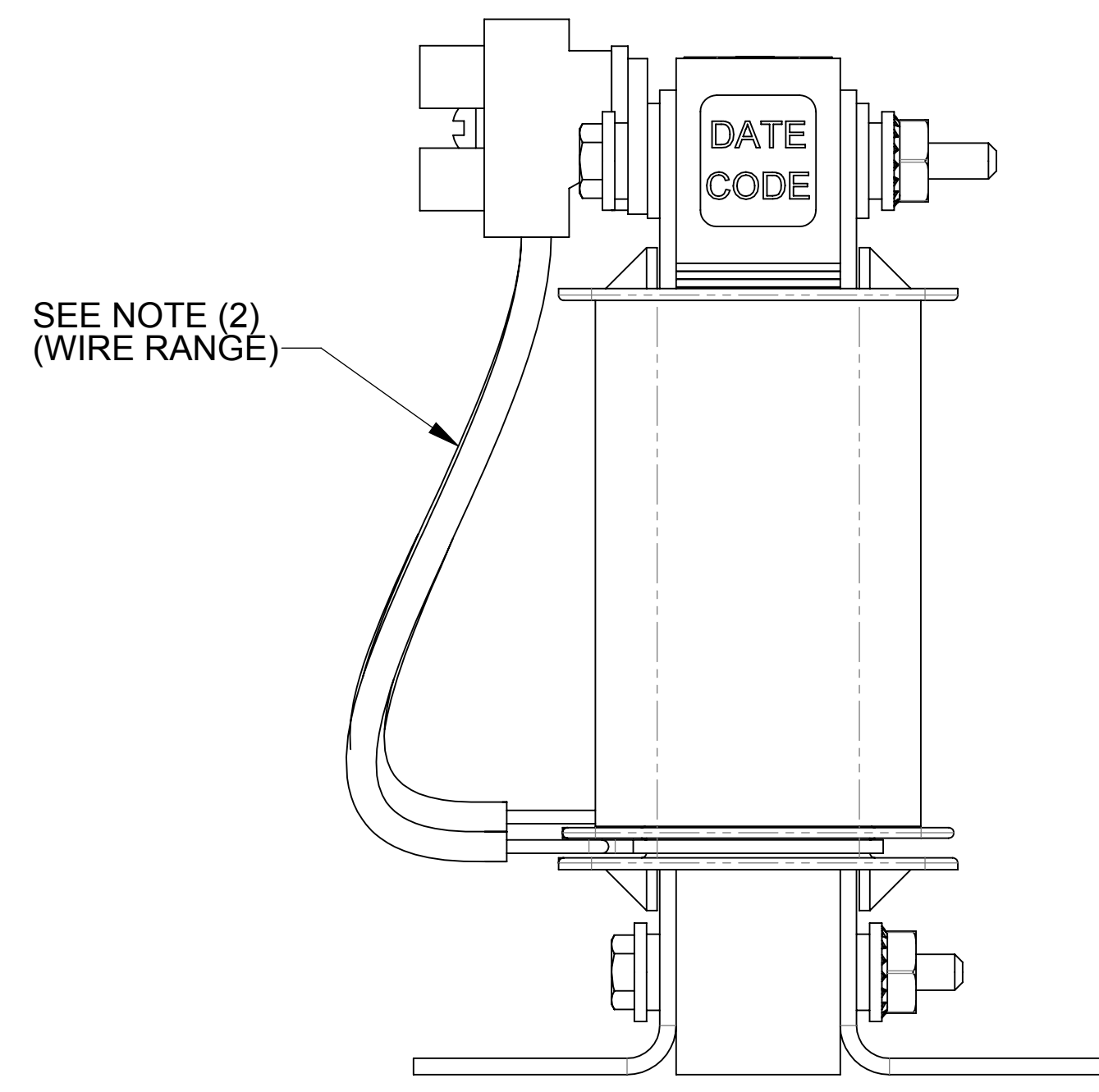
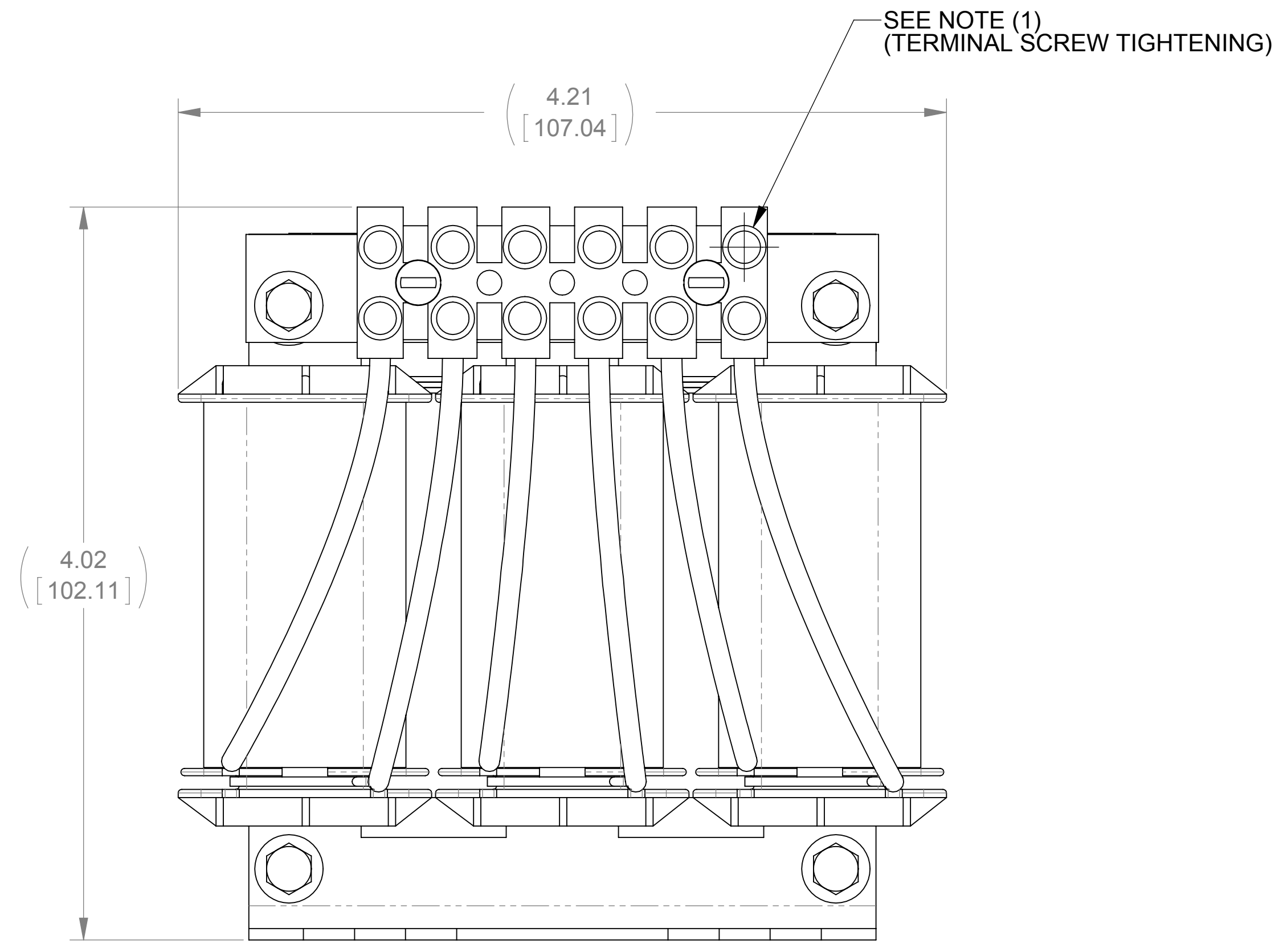
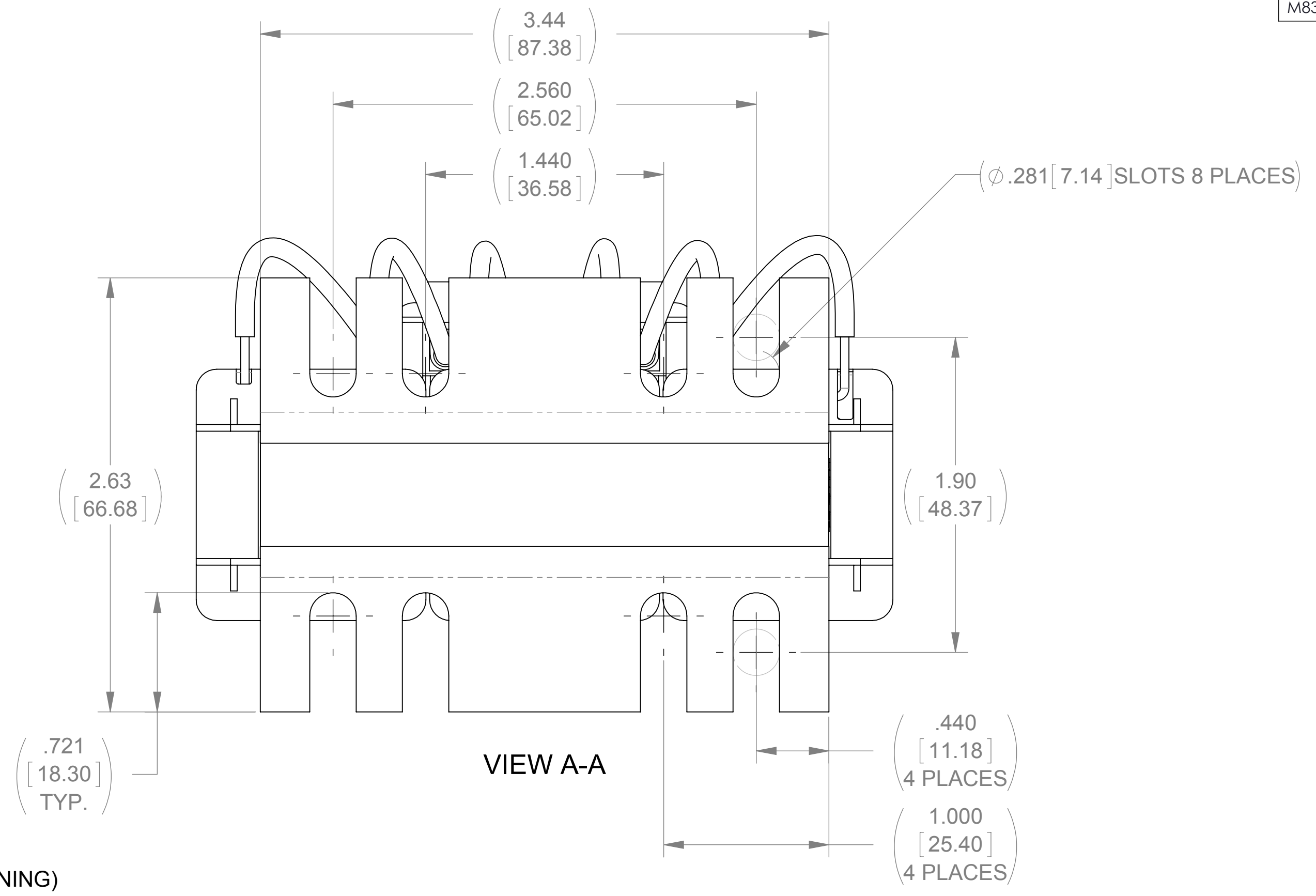
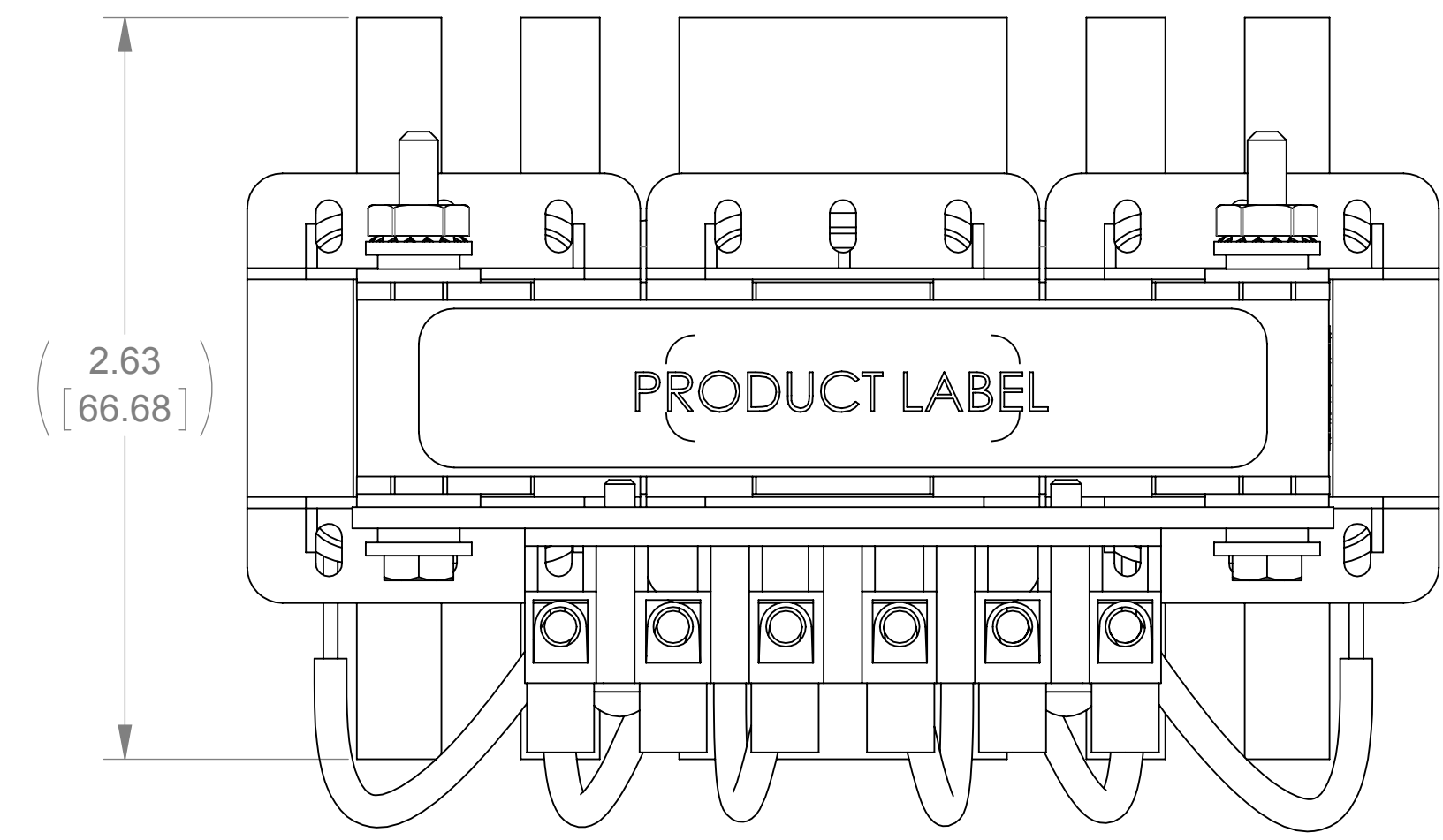
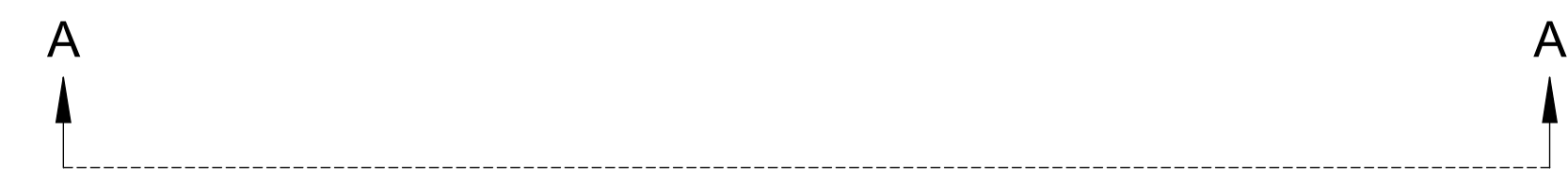


WEIGHT (LBS)	INDUCTANCE	LOSS (WATTS)
3	3mH	37.2

ECO No	DESCRIPTION	REV BY	DATE
M8321	DIMENSION CHANGE	JP	12/14/12



- NOTES:
1. TERMINAL SCREW TIGHTENING TORQUE: 4.5 in-lbs MAX
 2. WIRE RANGE: 22 - 10 AWG



<p>THE COMPONENT, PART OR ASSEMBLY DESCRIBED IN THIS DOCUMENT MUST COMPLY WITH THE EU (EUROPEAN UNION) DIRECTIVE RoHS</p> <p>CONTAINS <0.1% OF ANY SVHC BY WEIGHT PER REACH REGULATION</p> <p>UNLESS OTHERWISE SPECIFIED DIMENSIONS ARE IN INCHES [MM] TOLERANCES ARE:</p> <p>ANGLES: ± 1°</p> <p>1 PLACE .X: ± .1 [2.5]</p> <p>2 PLACE .XX: ± .03 [0.76]</p> <p>3 PLACE .XXX: ± .010 [0.254]</p>		<p>MTE</p> <p>AN BL POWER ELECTRONICS COMPANY</p> <p>N83 W13330 Leon Road Menomonee Falls, WI 53051 USA 800.455.4683 262.253.8200</p>	<p>MATERIAL</p> <table border="1"> <tr> <td>DRAWN</td> <td>DATE</td> </tr> <tr> <td>JP</td> <td>08/27/12</td> </tr> <tr> <td>CHECKED</td> <td>DATE</td> </tr> <tr> <td>TM</td> <td>12/21/12</td> </tr> <tr> <td>APPROVED</td> <td>DATE</td> </tr> <tr> <td>TM</td> <td>12/21/12</td> </tr> </table>	DRAWN	DATE	JP	08/27/12	CHECKED	DATE	TM	12/21/12	APPROVED	DATE	TM	12/21/12	<p>CONFIDENTIAL AND PROPRIETARY INFORMATION</p> <p>THIS DOCUMENT CONTAINS CONFIDENTIAL AND PROPRIETARY INFORMATION OF MTE CORPORATION AND MAY NOT BE USED, COPIED OR DISCLOSED TO OTHERS EXCEPT WITH THE AUTHORIZED WRITTEN PERMISSION OF MTE CORPORATION</p> <p>DESCRIPTION</p> <p>LINE REACTOR</p> <table border="1"> <tr> <td>SIZE</td> <td>DWG No.</td> <td>REV</td> </tr> <tr> <td>D</td> <td>CD RLW-07P603</td> <td>05</td> </tr> <tr> <td>SCALE</td> <td colspan="2">SHEET 1 OF 1</td> </tr> <tr> <td>5:3</td> <td colspan="2"></td> </tr> </table>	SIZE	DWG No.	REV	D	CD RLW-07P603	05	SCALE	SHEET 1 OF 1		5:3		
DRAWN	DATE																											
JP	08/27/12																											
CHECKED	DATE																											
TM	12/21/12																											
APPROVED	DATE																											
TM	12/21/12																											
SIZE	DWG No.	REV																										
D	CD RLW-07P603	05																										
SCALE	SHEET 1 OF 1																											
5:3																												