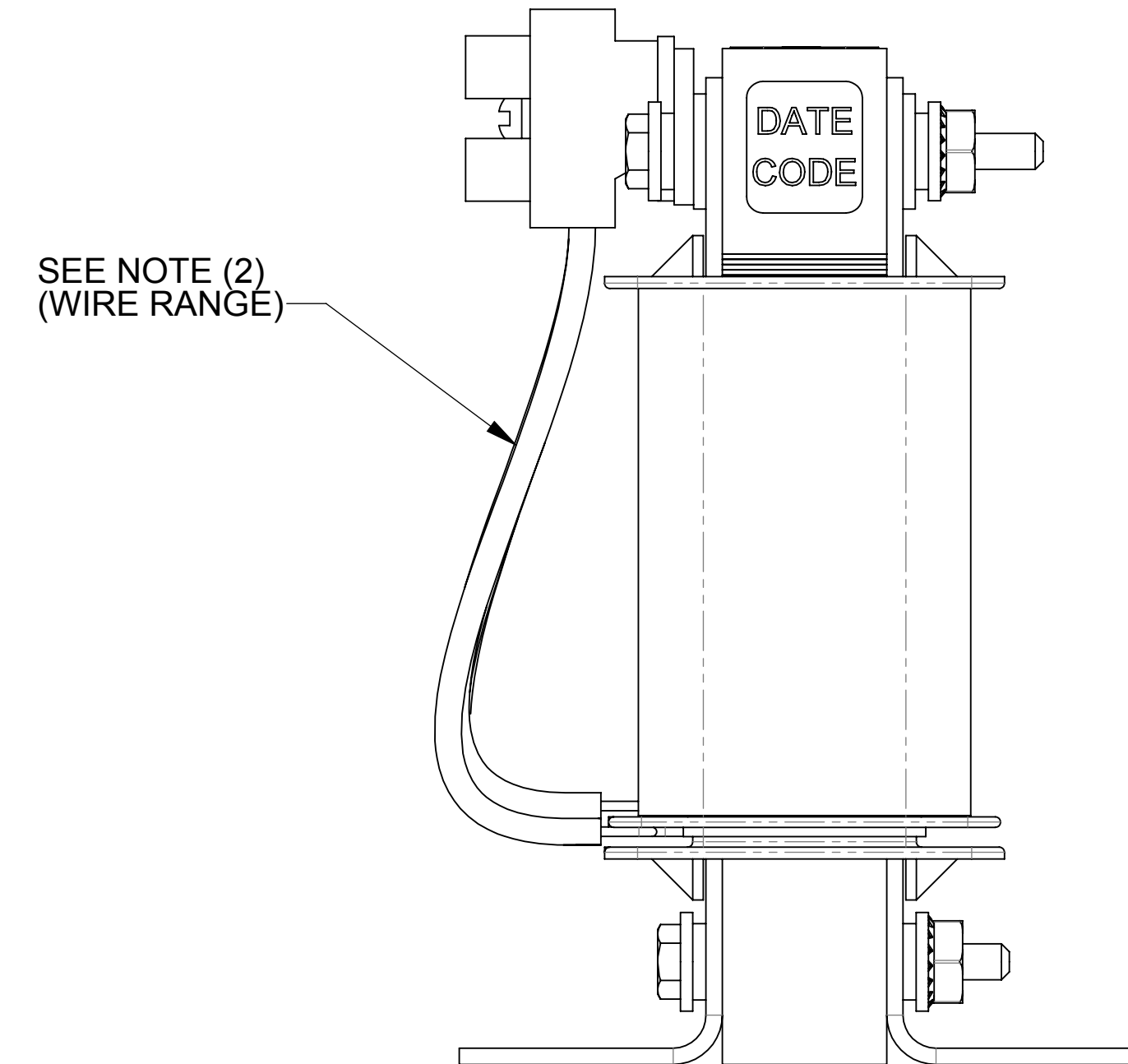
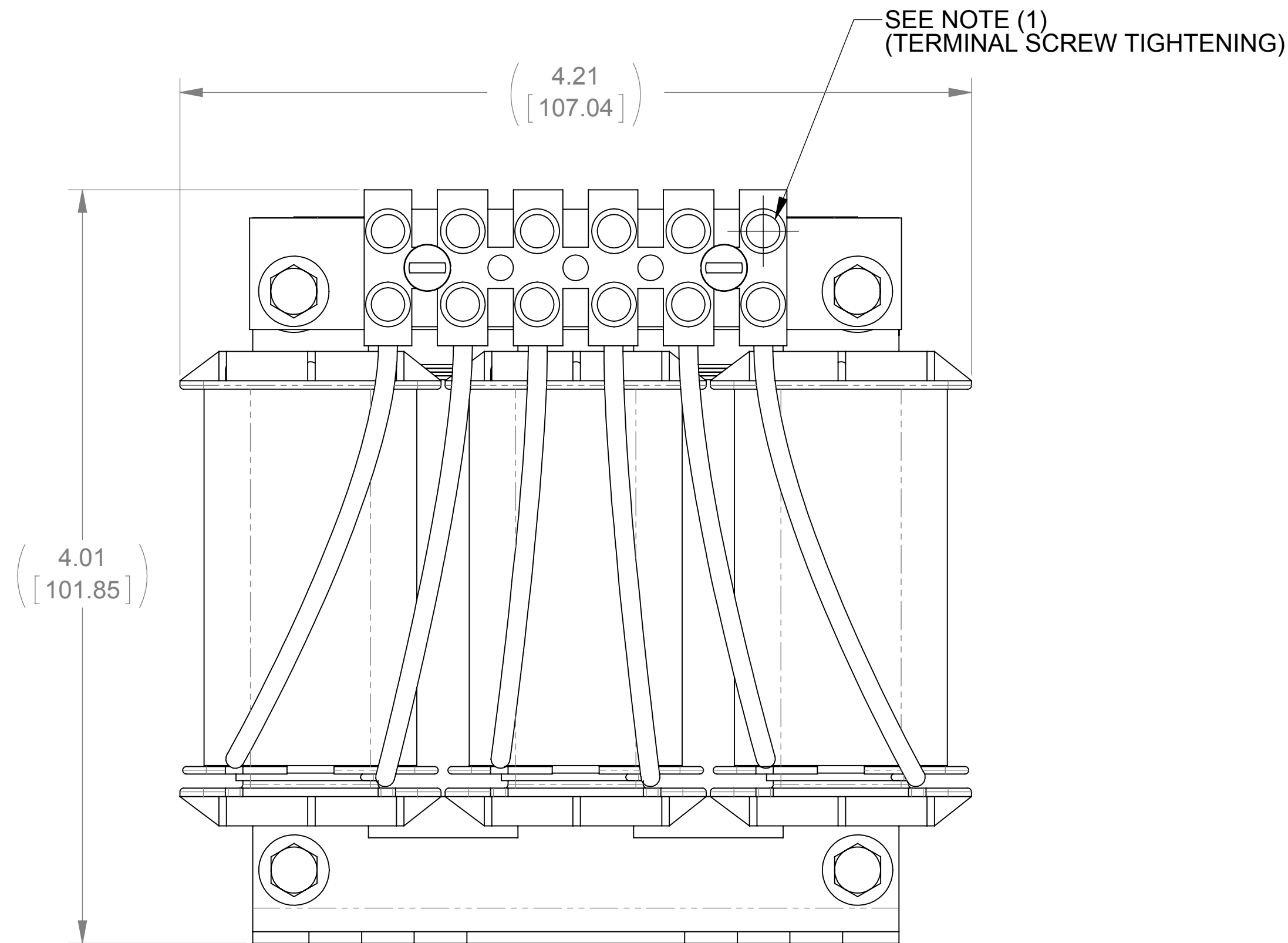
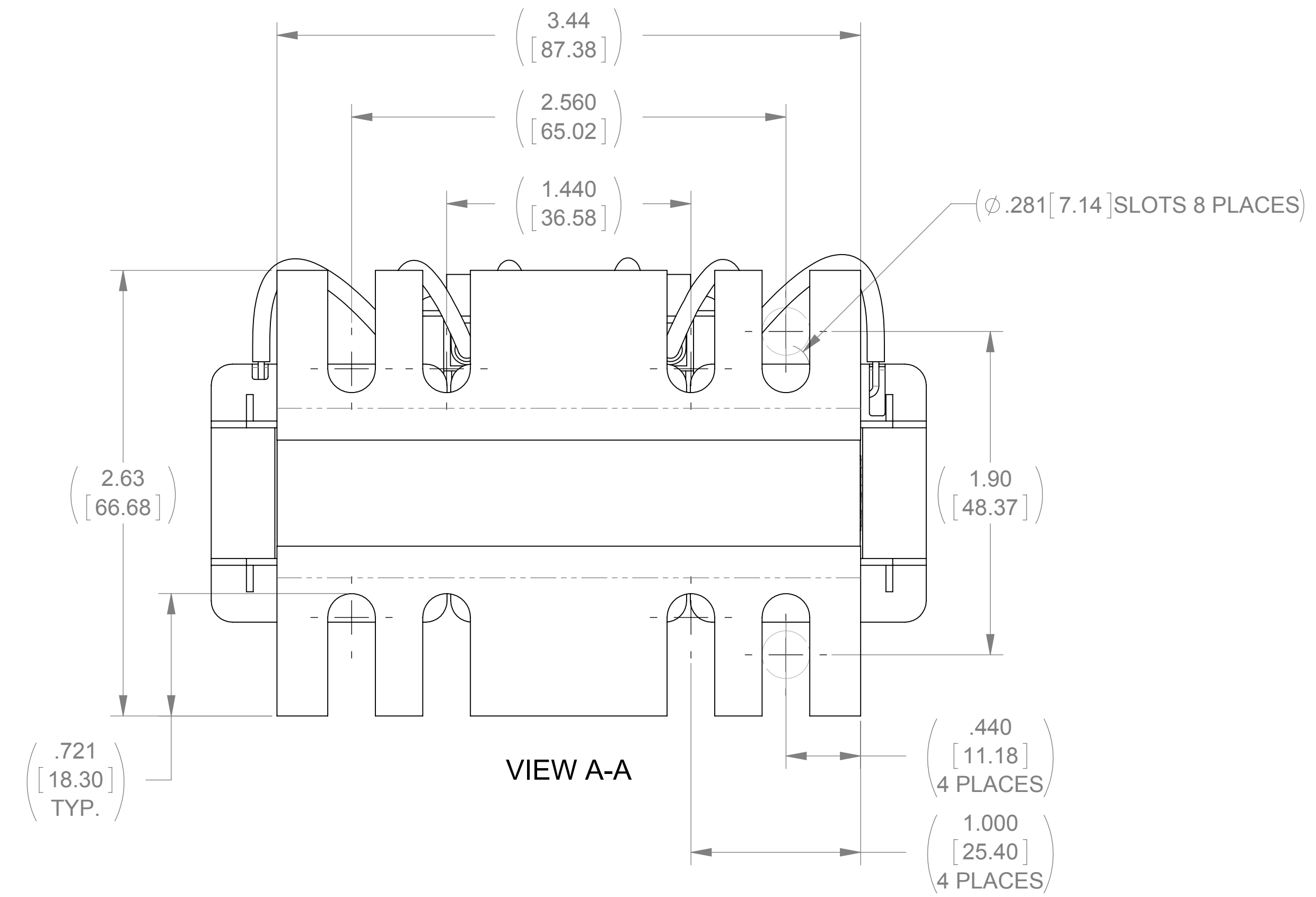
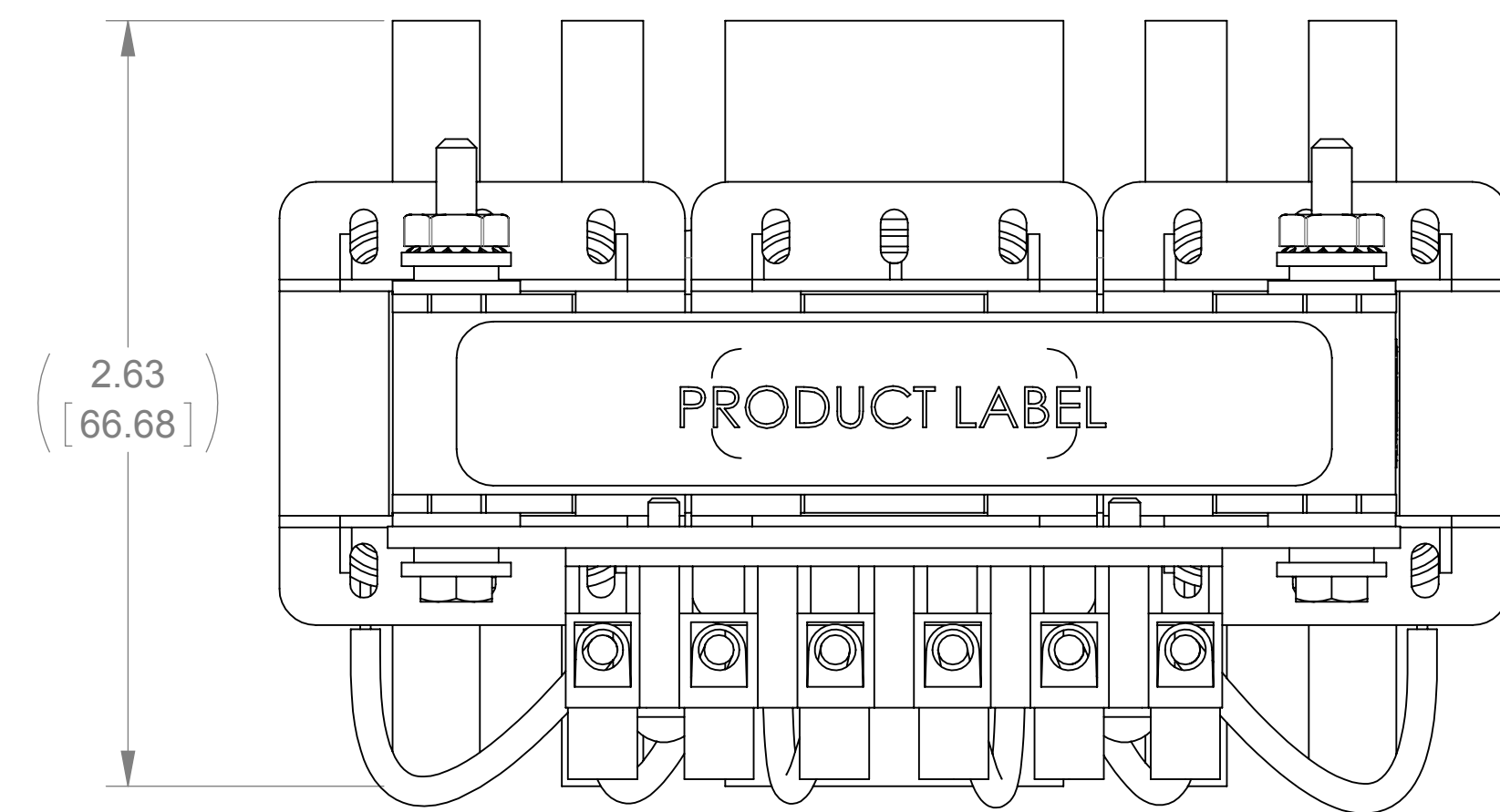


WEIGHT (LBS)	INDUCTANCE	LOSS (WATTS)
3	11mH ±10%	26.5

ECO No	DESCRIPTION	REV BY	DATE
M8321	DIMENSION CHANGE	JP	12/17/12



NOTES:

1. TERMINAL SCREW TIGHTENING TORQUE: 4.5 in-lbs MAX
2. WIRE RANGE: 22 - 10 AWG



THE COMPONENT, PART OR ASSEMBLY DESCRIBED IN THIS DOCUMENT MUST COMPLY WITH THE EU (EUROPEAN UNION) DIRECTIVE RoHS CONTAINS <0.1% OF ANY SVHC BY WEIGHT PER REACH REGULATION		<b>MATERIAL</b>		<b>CONFIDENTIAL AND PROPRIETARY INFORMATION</b> THIS DOCUMENT CONTAINS CONFIDENTIAL AND PROPRIETARY INFORMATION OF MTE CORPORATION AND MAY NOT BE USED, COPIED OR DISCLOSED TO OTHERS EXCEPT WITH THE AUTHORIZED WRITTEN PERMISSION OF MTE CORPORATION	
UNLESS OTHERWISE SPECIFIED DIMENSIONS ARE IN INCHES [MM] TOLERANCES ARE: ANGLES: ± 1° 1 PLACE .X: ± .1 [2.5] 2 PLACE .XX: ± .03 [0.76] 3 PLACE .XXX: ± .010 [0.254]		 N83 W13330 Leon Road Menomonee Falls, WI 53051 USA 800.455.4683 262.253.8200		<b>DESCRIPTION</b> <p style="text-align: center; font-size: 1.2em;">LINE REACTOR</p>	
DRAWN JP	DATE 09/11/12	CHECKED TM	DATE 12/21/12	SIZE D	DWG No. CD RLW-03P405
APPROVED TM	DATE 12/21/12	REV 05		SCALE 5:3	SHEET 1 OF 1