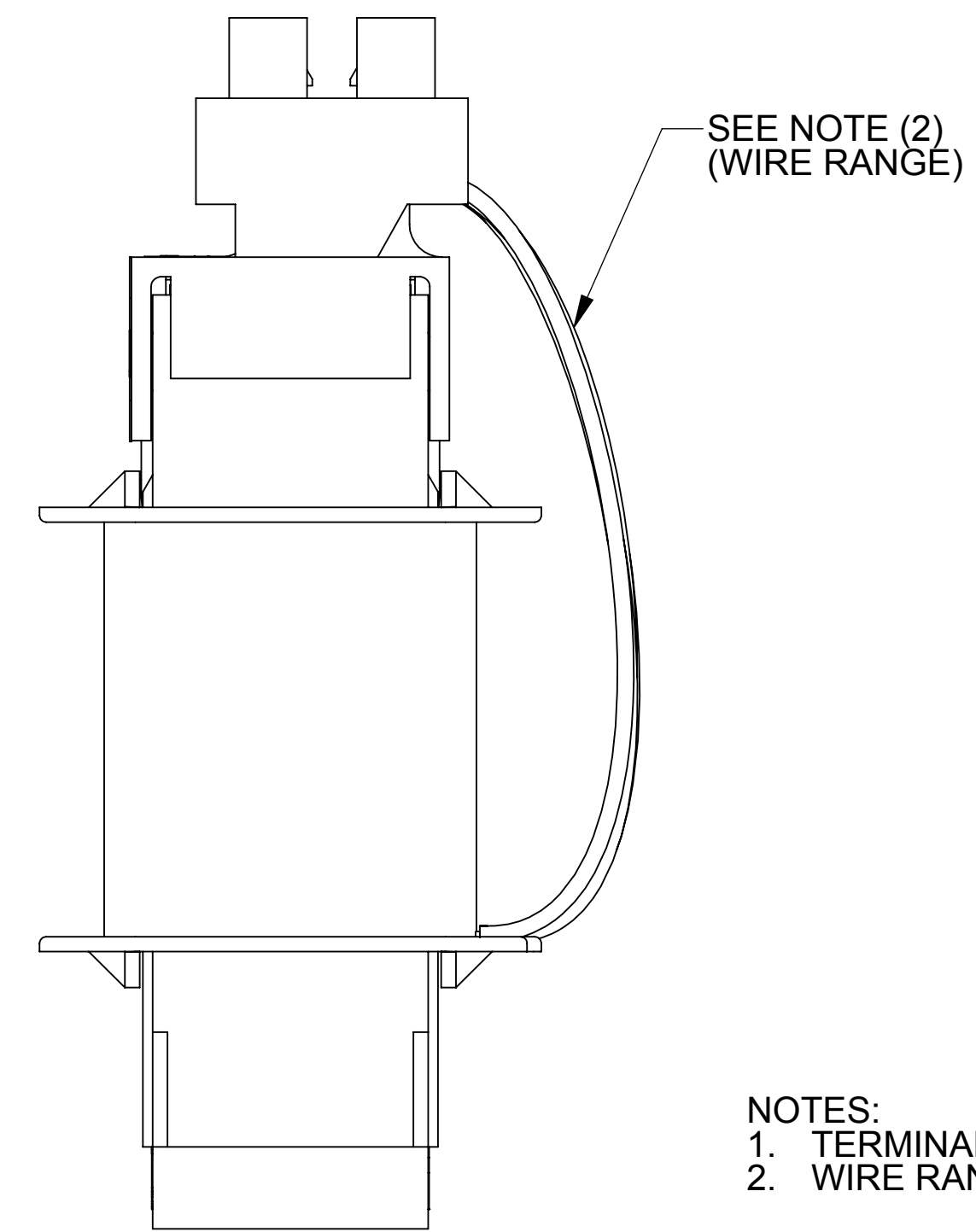
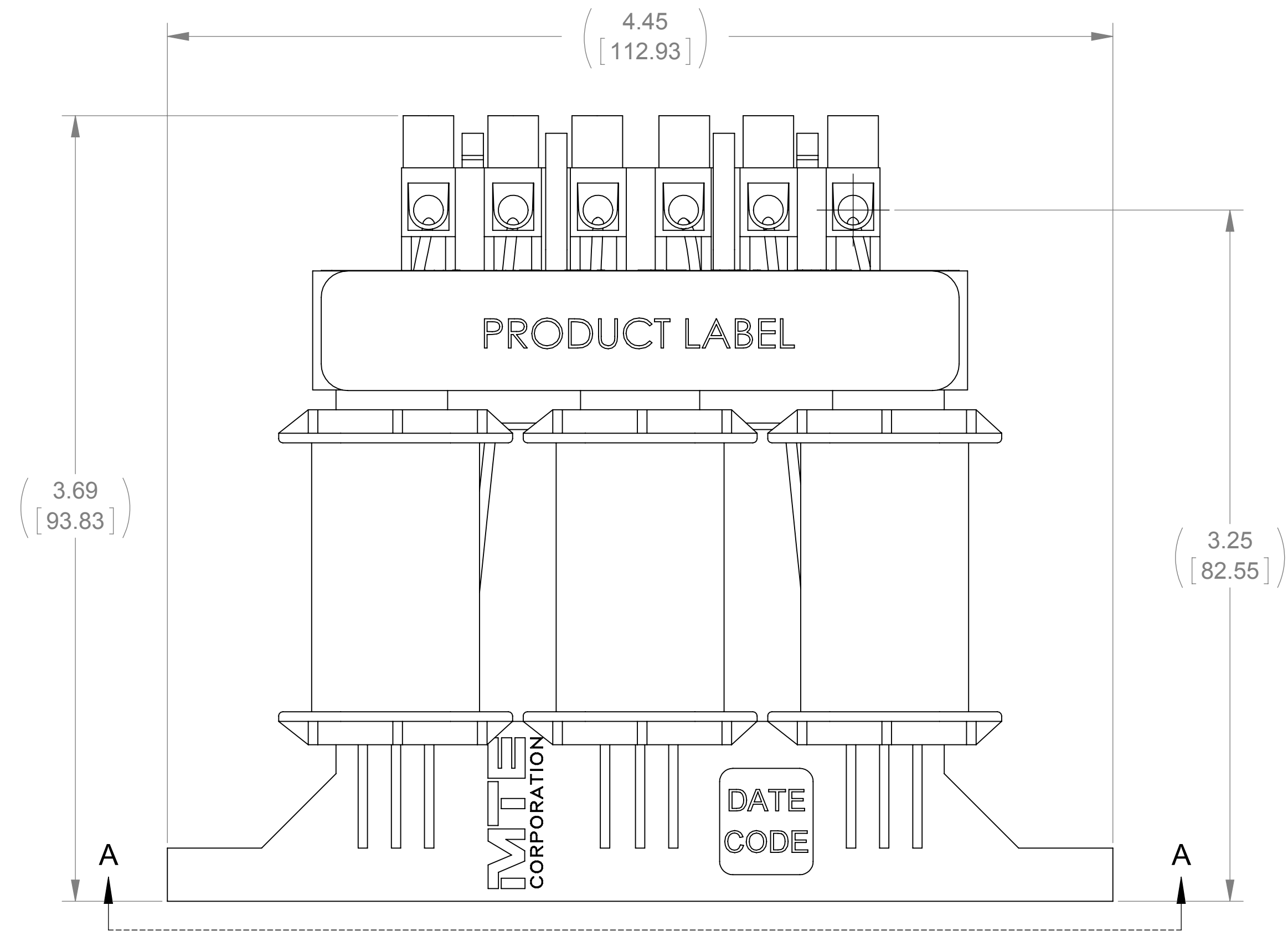
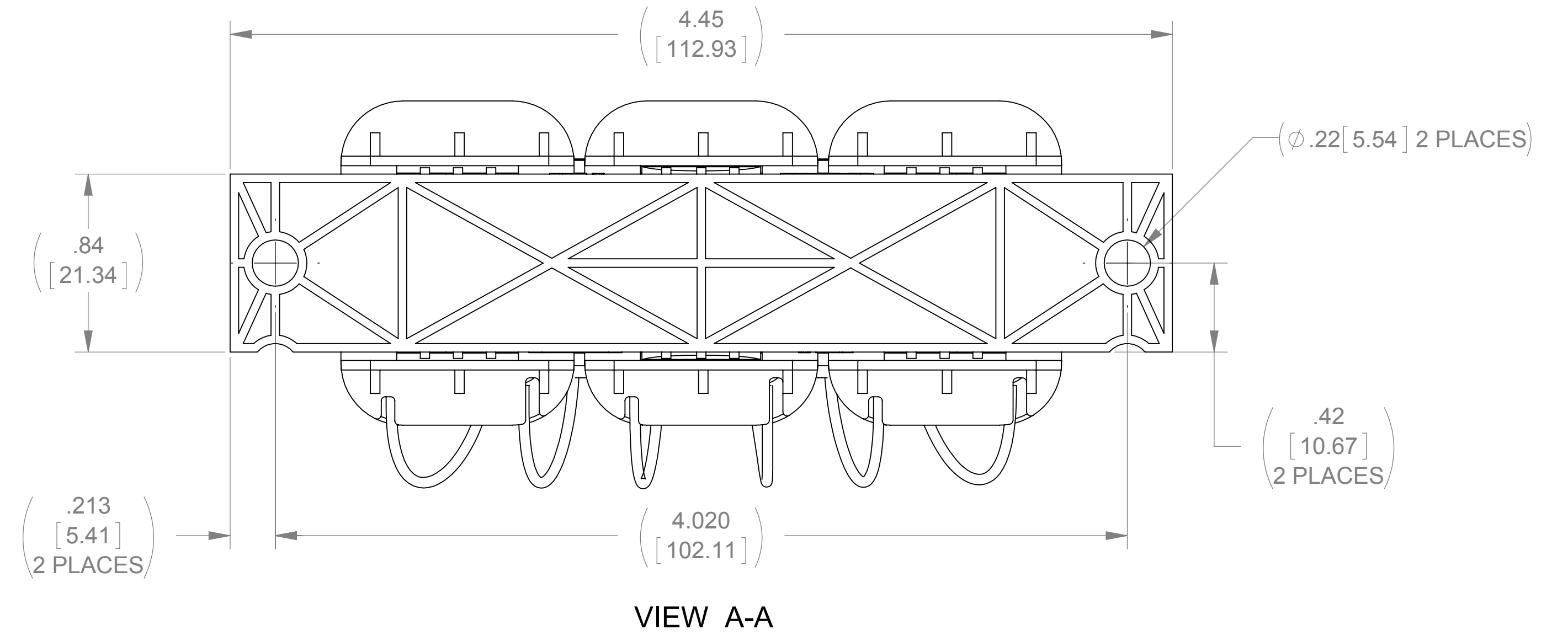
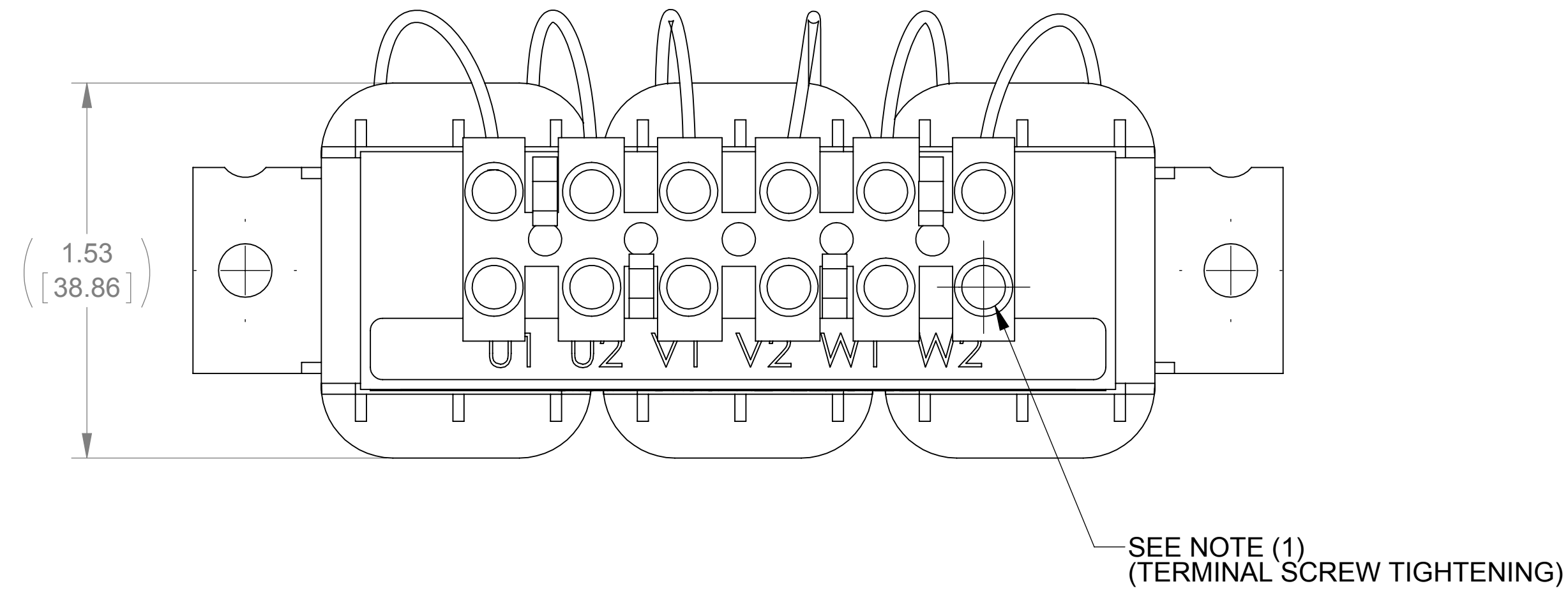


WEIGHT (LBS)	INDUCTANCE	LOSS (WATTS)
2	11mH	14.3

ECO No	DESCRIPTION	REV BY	DATE
M8128	REDRAW IN SOLIDWORKS	JP	08/07/12



- NOTES:  
 1. TERMINAL SCREW TIGHTENING TORQUE; 4.5 in-lb MAX.  
 2. WIRE RANGE: 22-10 AWG.

THE COMPONENT, PART OR ASSEMBLY DESCRIBED IN THIS DOCUMENT MUST COMPLY WITH THE EU (EUROPEAN UNION) DIRECTIVE RoHS CONTAINS <math>< 0.1\%</math> OF ANY SVHC BY WEIGHT PER REACH REGULATION		MATERIAL		CONFIDENTIAL AND PROPRIETARY INFORMATION THIS DOCUMENT CONTAINS CONFIDENTIAL AND PROPRIETARY INFORMATION OF MTE CORPORATION AND MAY NOT BE USED, COPIED OR DISCLOSED TO OTHERS EXCEPT WITH THE AUTHORIZED WRITTEN PERMISSION OF MTE CORPORATION	
UNLESS OTHERWISE SPECIFIED DIMENSIONS ARE IN INCHES [MM] TOLERANCES ARE: ANGLES: $\pm 1^\circ$ 1 PLACE .X: $\pm .1 [2.5]$ 2 PLACE .XX: $\pm .03 [0.76]$ 3 PLACE .XXX: $\pm .010 [0.254]$		 N83 W13330 Leon Road Menomonee Falls, WI 53051 USA 800.455.4683 262.253.8200		DESCRIPTION <b>SNAP CHANNEL REACTOR</b>	
DRAWN JP CHECKED JH APPROVED JH	DATE 07/31/12 DATE 08/07/12 DATE 08/07/12	SIZE D SCALE 2:1	DWG No. CD RLW-02P103	REV 05	SHEET 1 OF 1