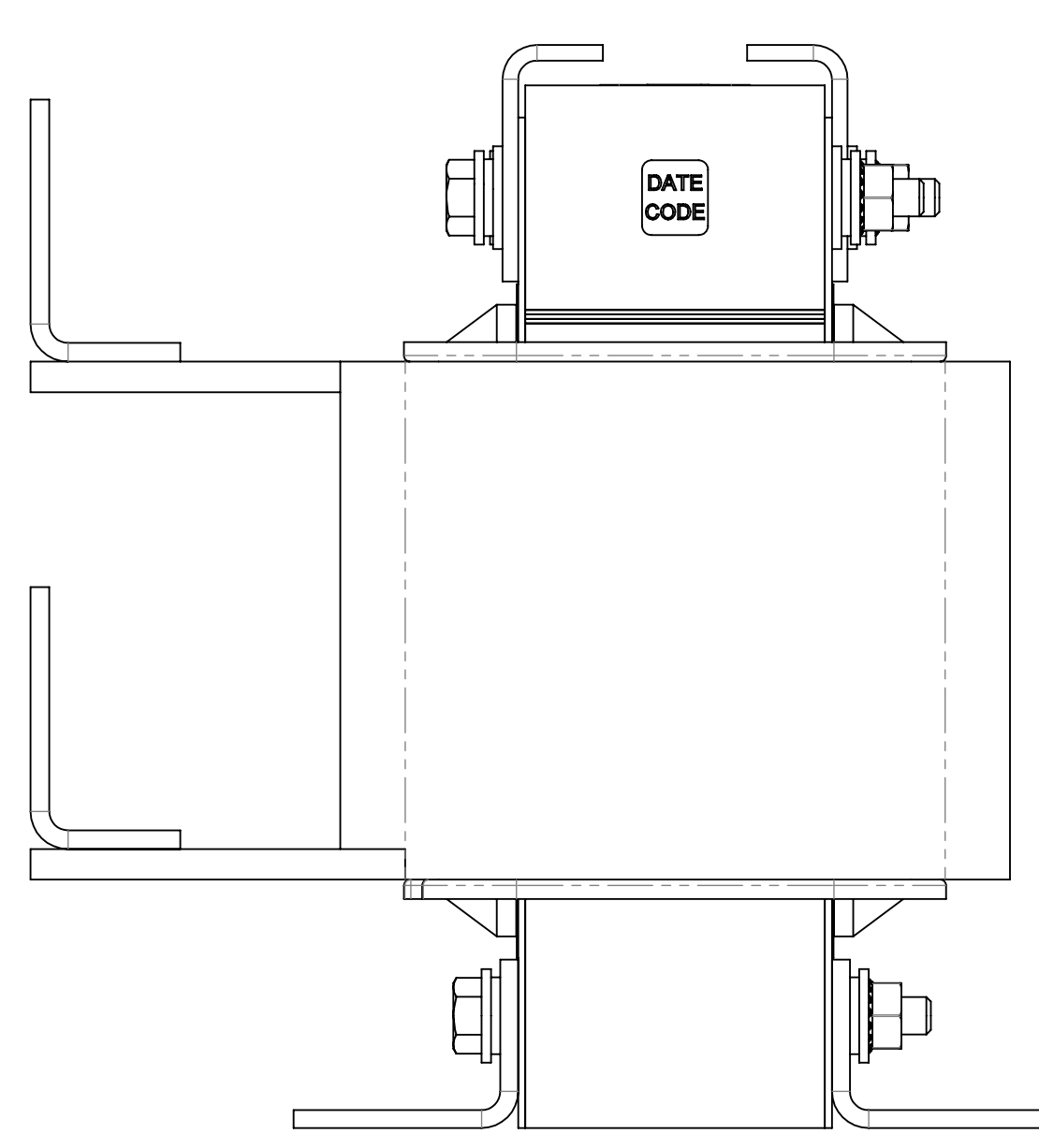
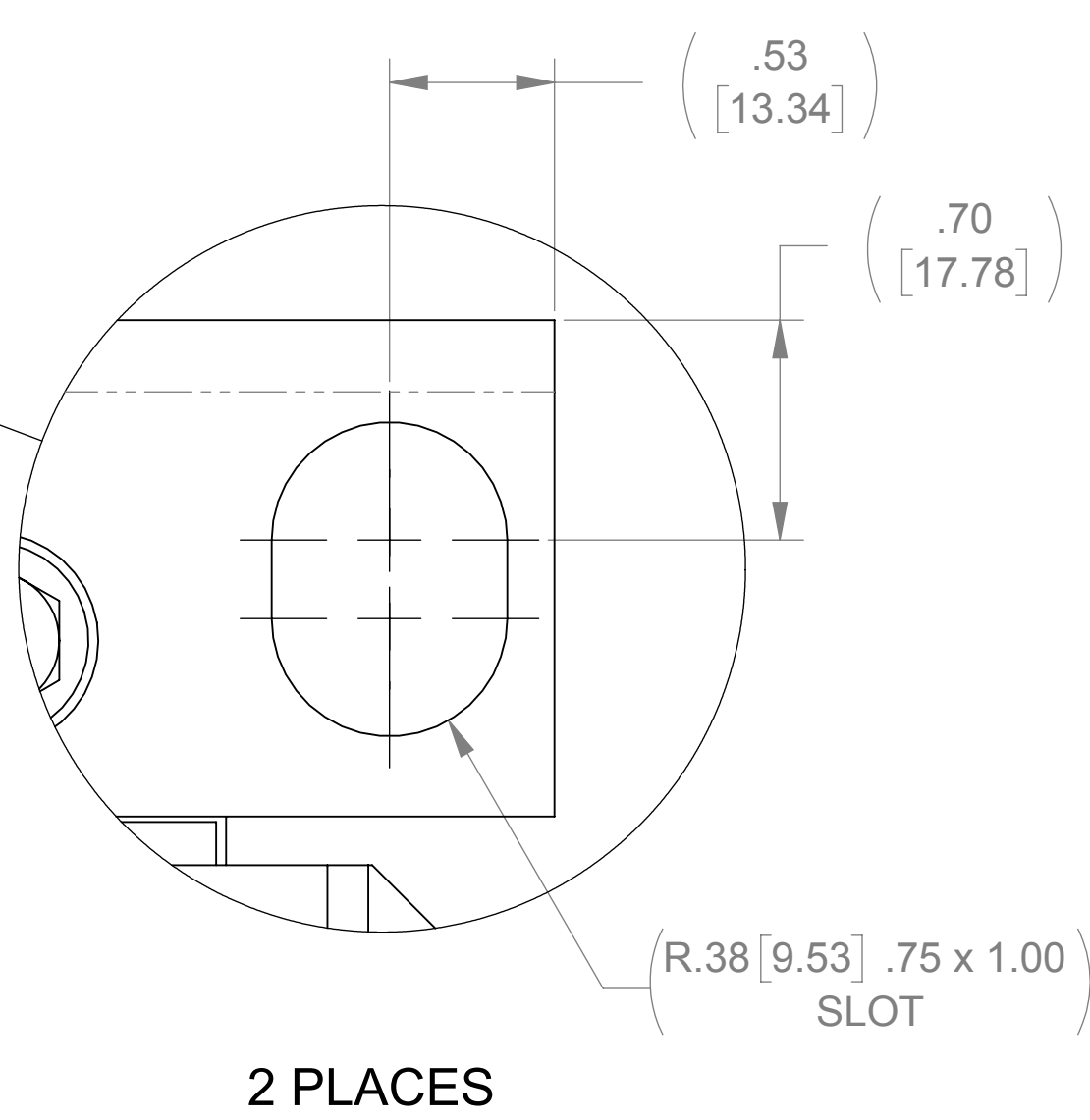
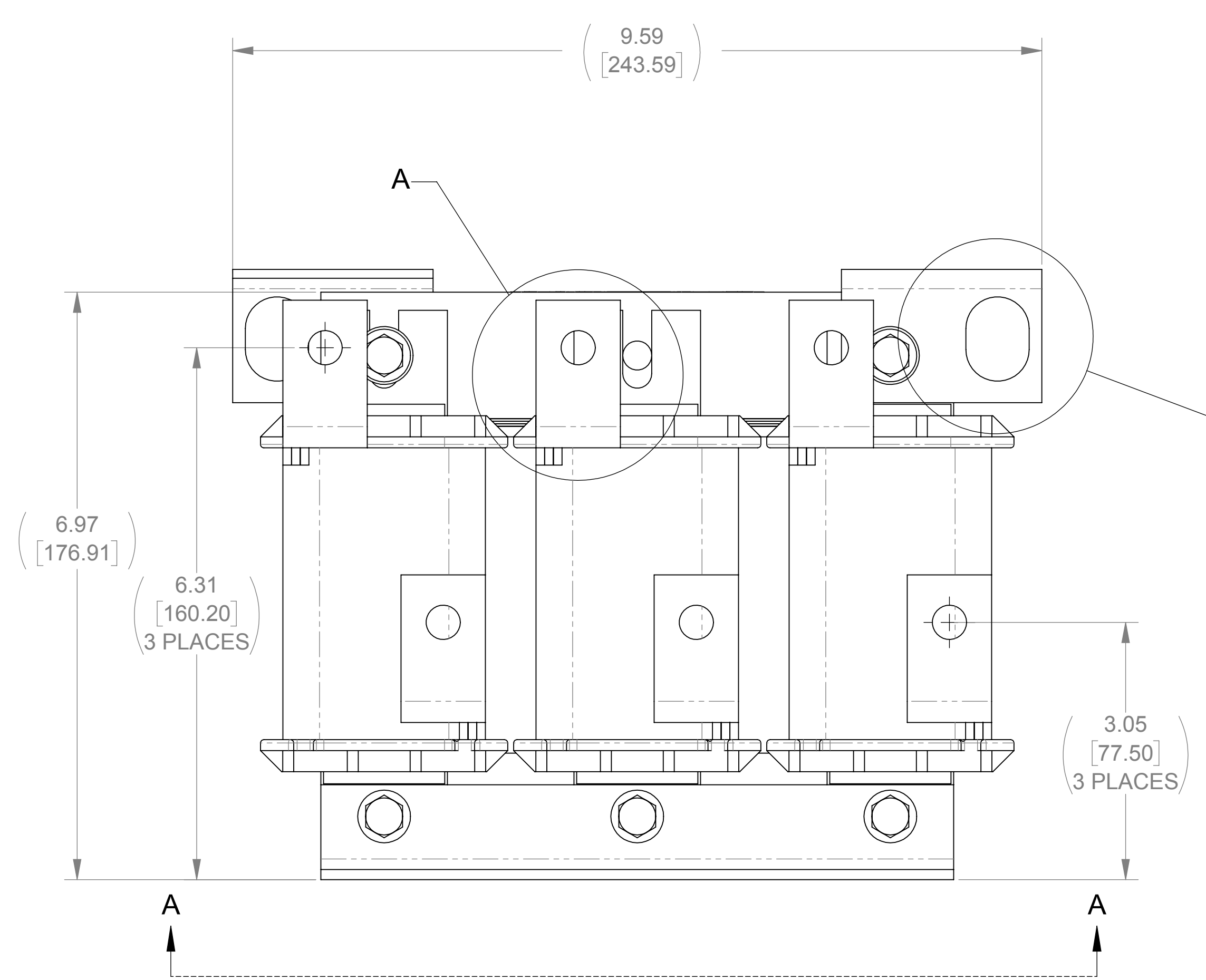
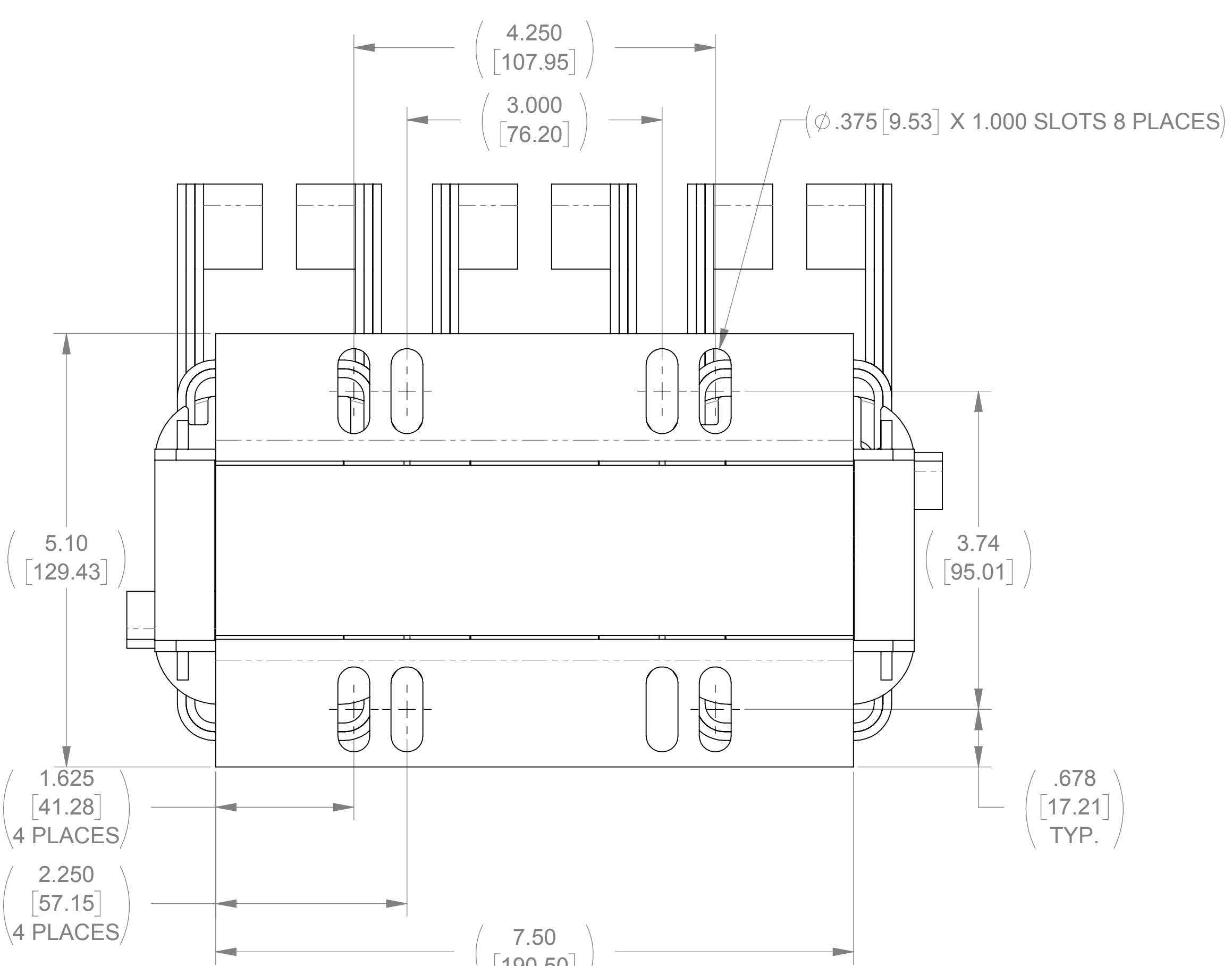
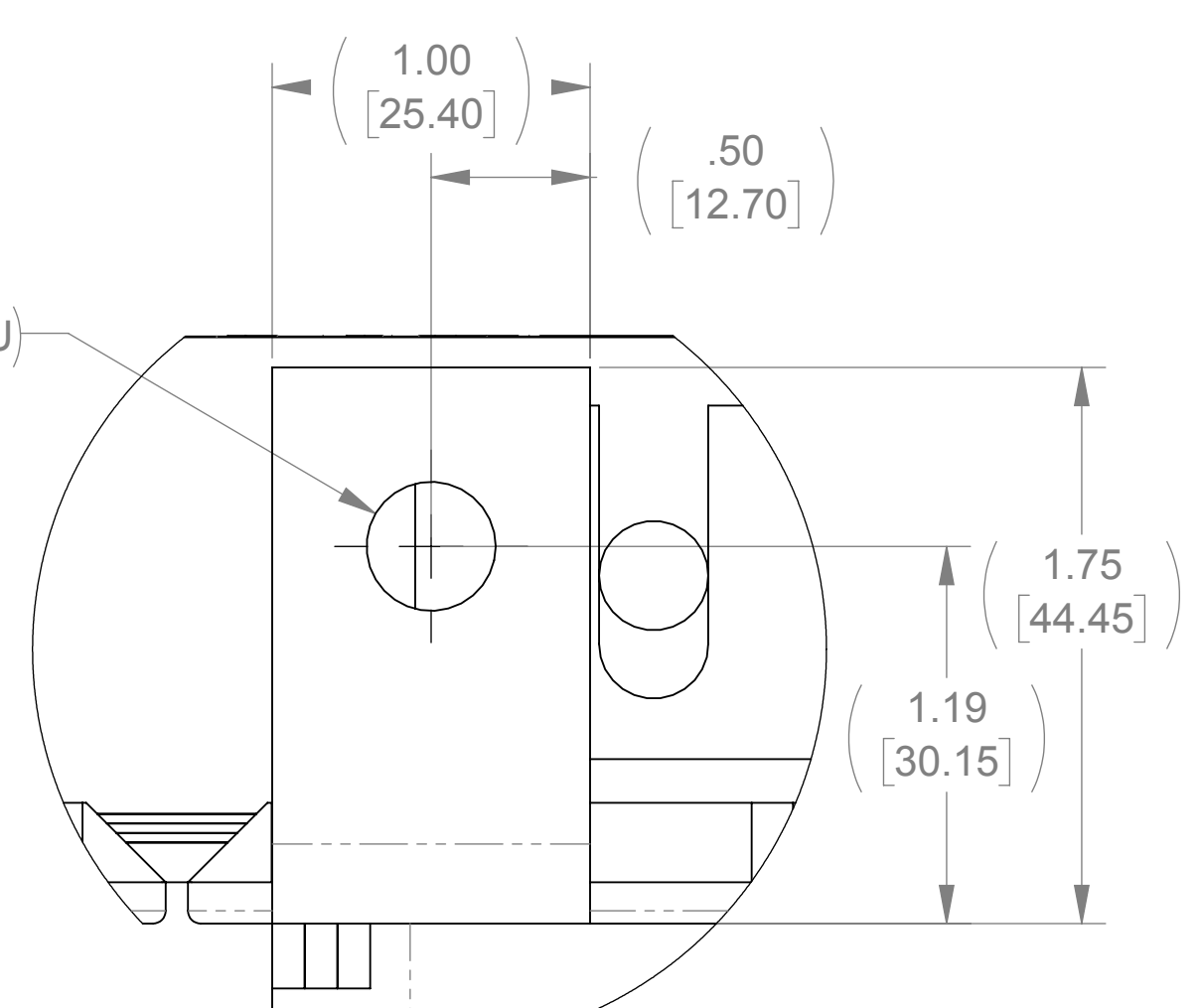
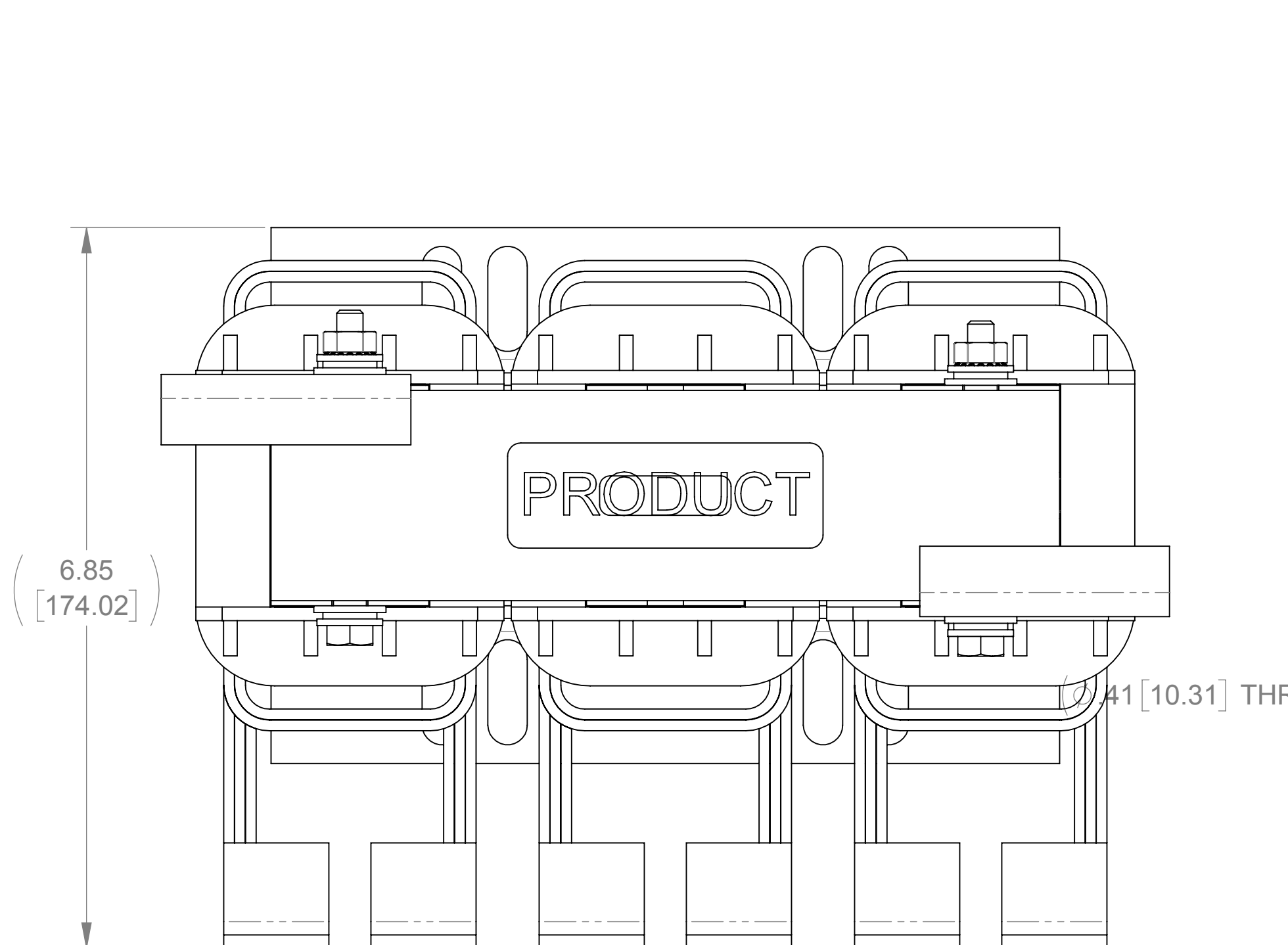


WEIGHT (LBS)	INDUCTANCE	LOSS (WATTS)
37	.180mH	153

ECO No	DESCRIPTION	REV BY	DATE
M9868	ADDED LIFTING BRACKETS	JT	06/23/16



<p>THE COMPONENT, PART OR ASSEMBLY DESCRIBED IN THIS DOCUMENT MUST COMPLY WITH THE EU (EUROPEAN UNION) DIRECTIVE RoHS</p> <p>CONTAINS &lt;0.1% OF ANY SVHC BY WEIGHT PER REACH REGULATION</p> <p>UNLESS OTHERWISE SPECIFIED DIMENSIONS ARE IN INCHES [MM] TOLERANCES ARE:</p> <p>ANGLES: ± 1°</p> <p>1 PLACE .X: ± .1 [2.5]</p> <p>2 PLACE .XX: ± .03 [0.76]</p> <p>3 PLACE .XXX: ± .010 [0.254]</p>		<p><b>MTE</b></p> <p>AN ILLINOIS POWER ELECTRONICS COMPANY</p> <p>N83 W13330 Leon Road Menomonie Falls, WI 53051 USA 800.455.4683 262.253.8200</p>	<p><b>MATERIAL</b></p> <table border="1"> <tr> <td>DRAWN</td> <td>DATE</td> </tr> <tr> <td>RKT</td> <td>04/22/09</td> </tr> <tr> <td>CHECKED</td> <td>DATE</td> </tr> <tr> <td>JM</td> <td>06/24/16</td> </tr> <tr> <td>APPROVED</td> <td>DATE</td> </tr> <tr> <td>JM</td> <td>06/24/16</td> </tr> </table>	DRAWN	DATE	RKT	04/22/09	CHECKED	DATE	JM	06/24/16	APPROVED	DATE	JM	06/24/16	<p><b>CONFIDENTIAL AND PROPRIETARY INFORMATION</b></p> <p>THIS DOCUMENT CONTAINS CONFIDENTIAL AND PROPRIETARY INFORMATION OF MTE CORPORATION AND MAY NOT BE USED, COPIED OR DISCLOSED TO OTHERS EXCEPT WITH THE AUTHORIZED WRITTEN PERMISSION OF MTE CORPORATION</p> <p><b>DESCRIPTION</b></p> <p>3 PHASE REACTOR</p> <table border="1"> <tr> <td>SIZE</td> <td>DWG No.</td> <td>REV</td> </tr> <tr> <td>D</td> <td>CD RLW-013003</td> <td>03</td> </tr> <tr> <td>SCALE</td> <td colspan="2">SHEET 1 OF 1</td> </tr> <tr> <td>5:6</td> <td colspan="2"></td> </tr> </table>	SIZE	DWG No.	REV	D	CD RLW-013003	03	SCALE	SHEET 1 OF 1		5:6		
DRAWN	DATE																											
RKT	04/22/09																											
CHECKED	DATE																											
JM	06/24/16																											
APPROVED	DATE																											
JM	06/24/16																											
SIZE	DWG No.	REV																										
D	CD RLW-013003	03																										
SCALE	SHEET 1 OF 1																											
5:6																												