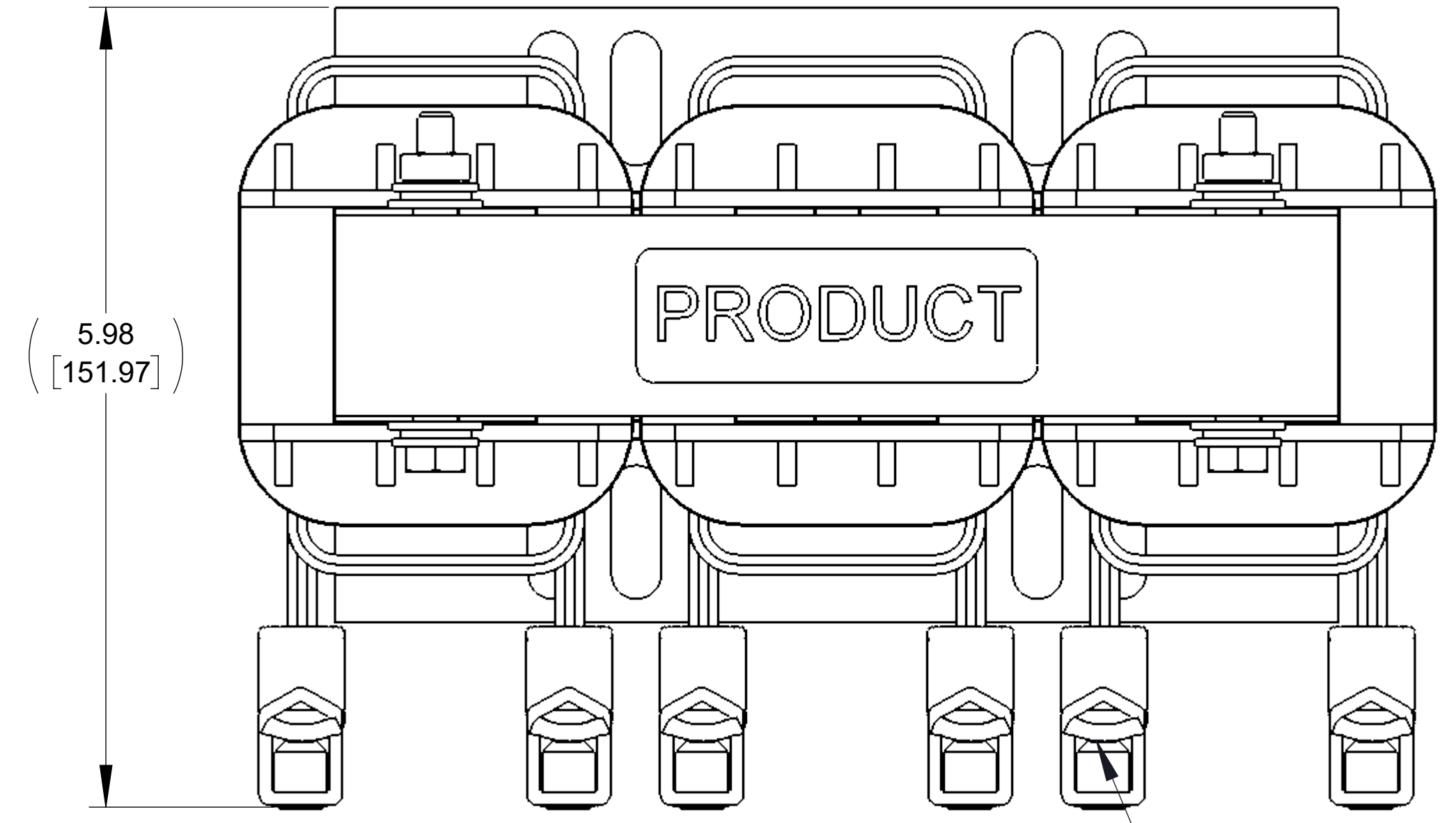
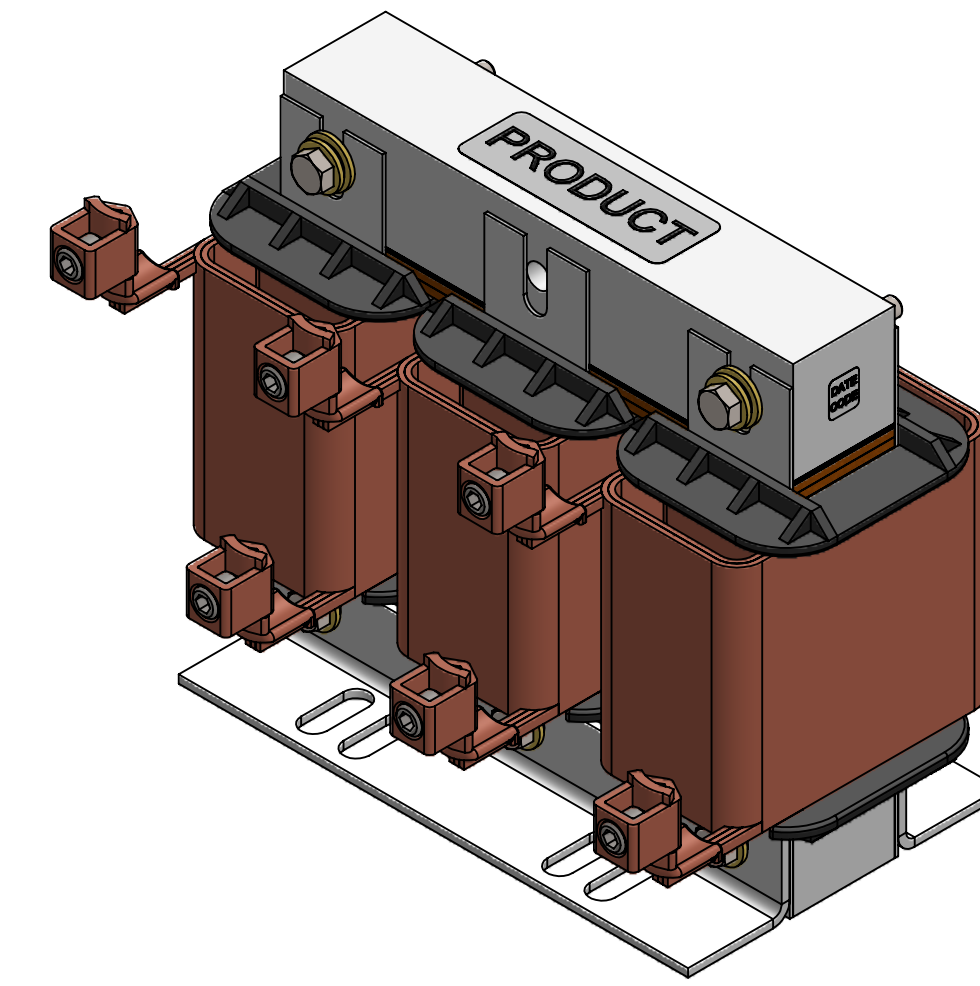


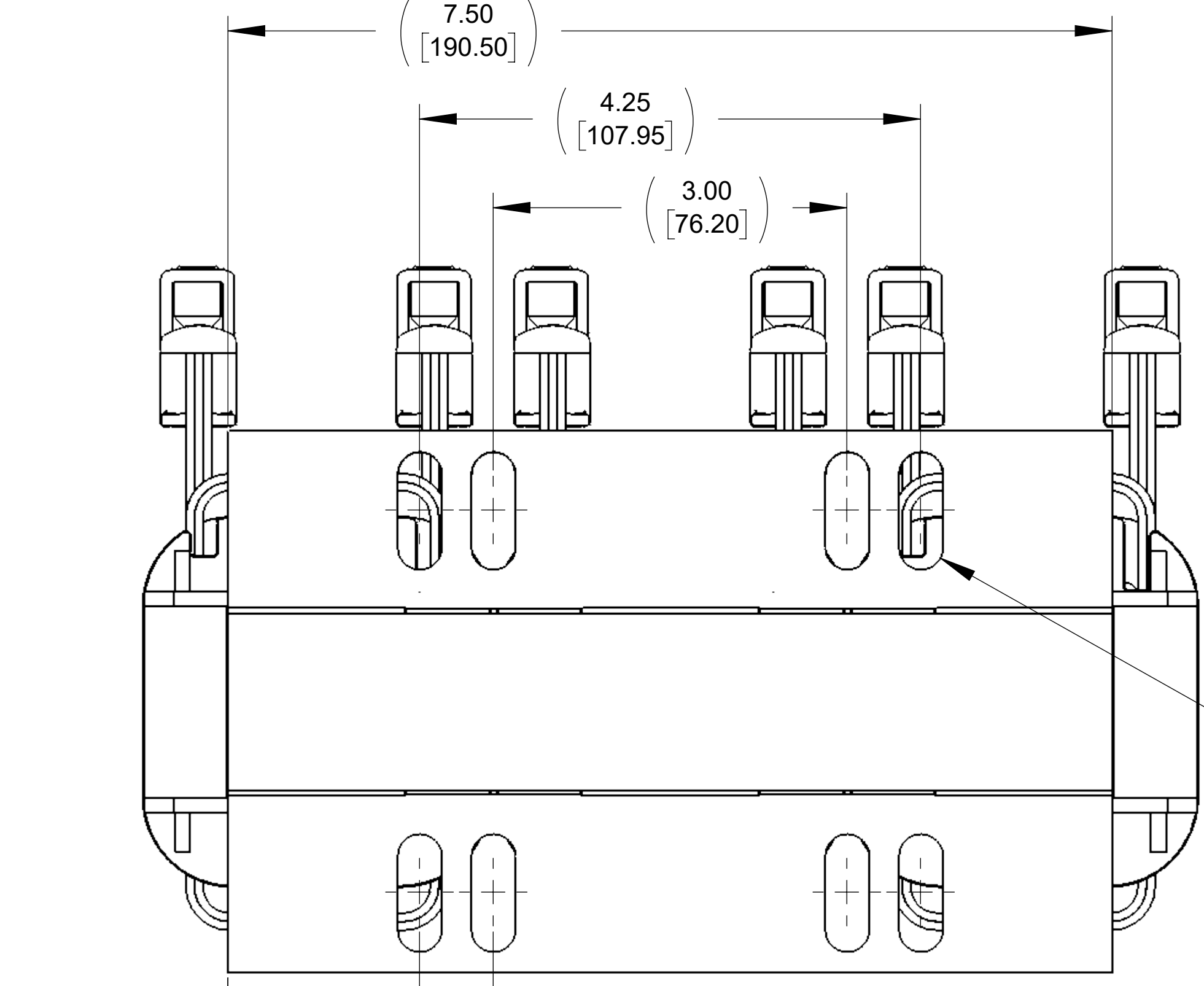
APPROX. WEIGHT (LBS)  
27

ECO No	DESCRIPTION	REV BY	DATE
M11950	RE-SEQUENCED TO MATCH AVANTE & UPDATED TO CURRENT MTE STANDARDS	WF	02/20/20



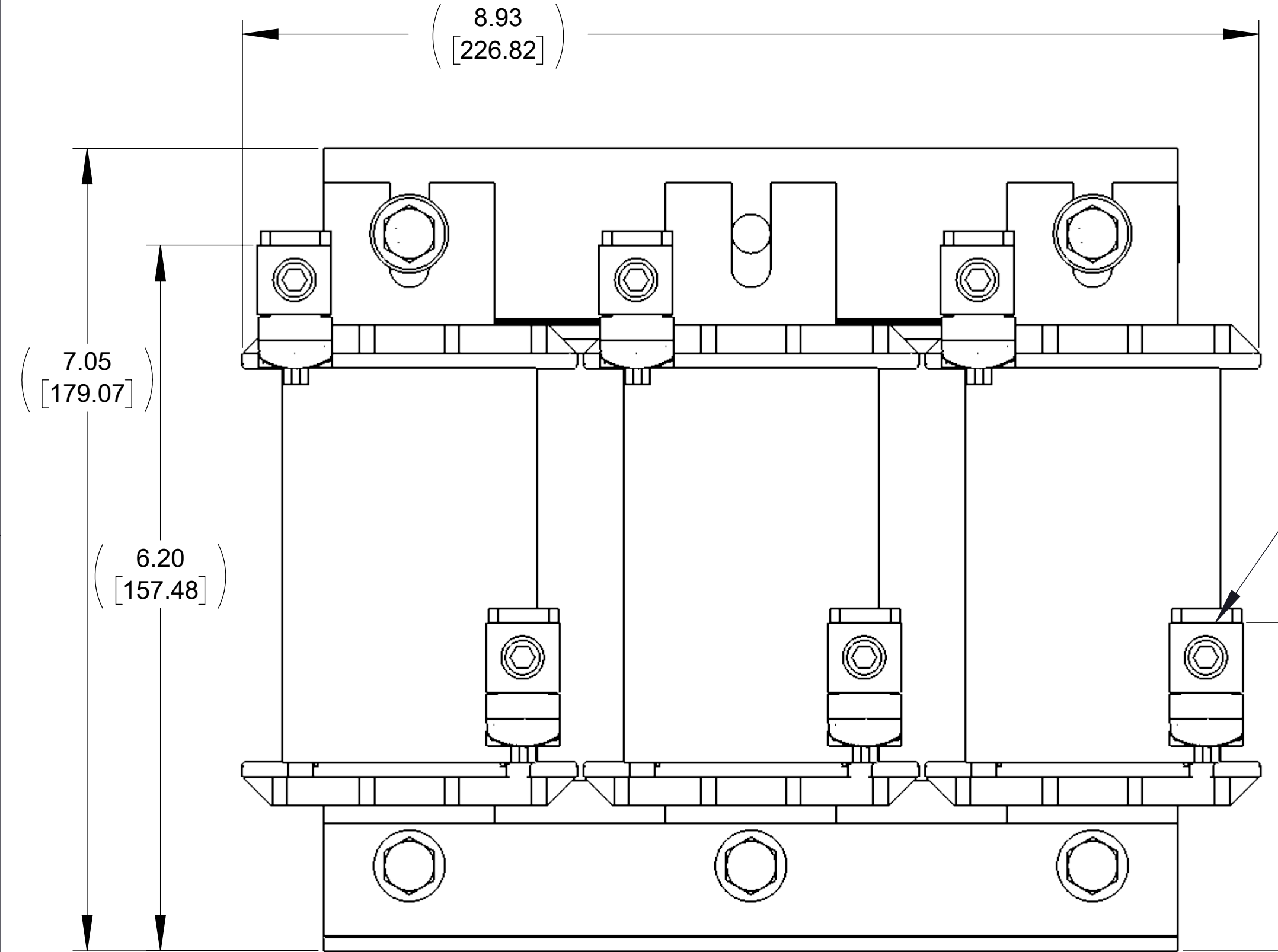
TOP VIEW

SEE NOTE 1



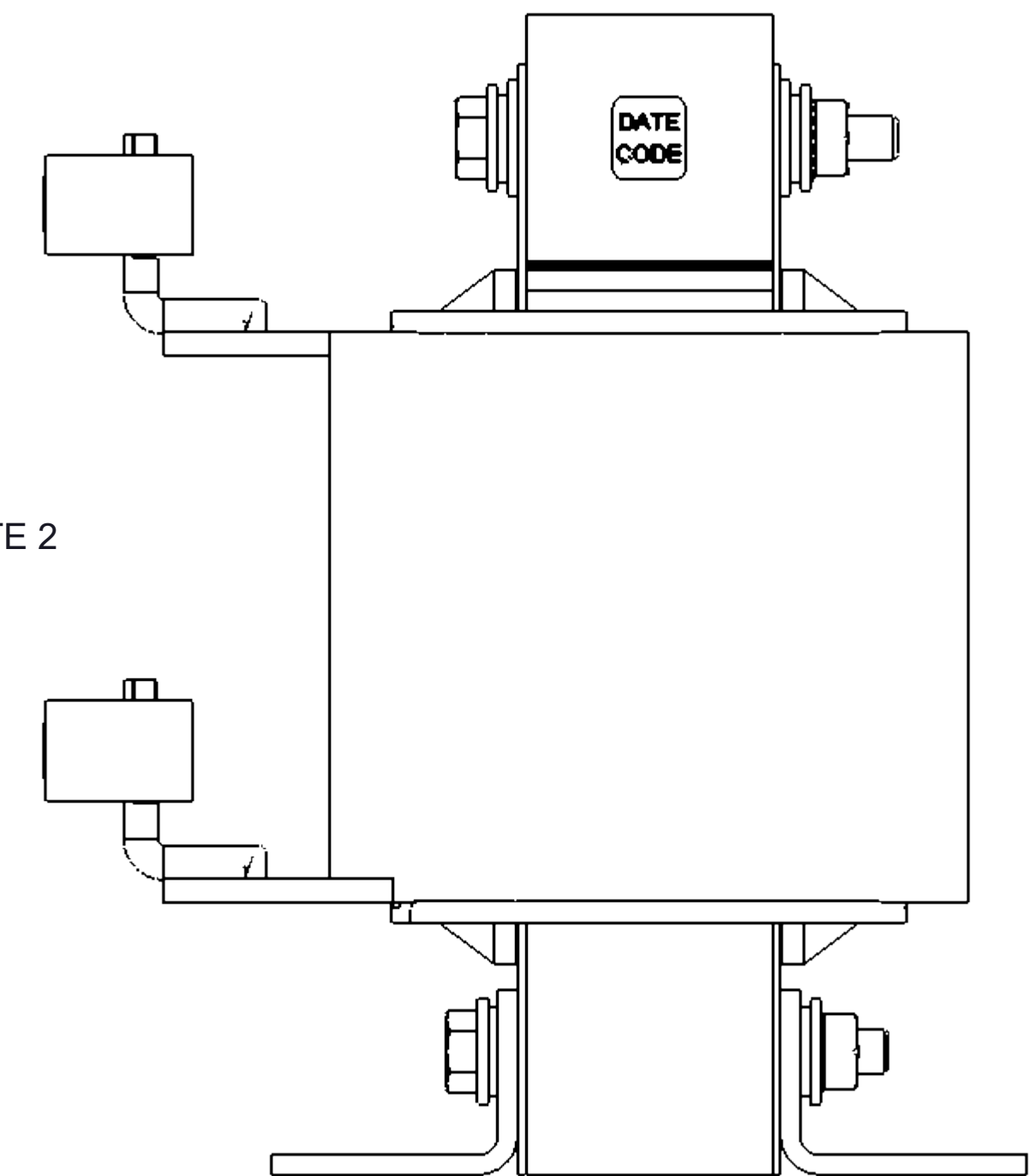
BOTTOM VIEW

.38 [9.53] X 1.00 [25.40] SLOT, 8 PLACES



FRONT VIEW

SEE NOTE 2



SIDE VIEW

**NOTES:**

1. TERMINAL WIRE RANGE: 6-0 AWG.
2. TERMINAL SCREW TIGHTENING TORQUE: 6-4 (45 IN/LBS), 2-0 (50 IN/LBS).
3. REFER TO USER MANUAL FOR COMPLETE INSTALLATION INSTRUCTIONS.

THE COMPONENT, PART OR ASSEMBLY DESCRIBED IN THIS DOCUMENT MUST COMPLY WITH THE EU (EUROPEAN UNION) DIRECTIVE RoHS2 CONTAINS <0.1% OF ANY SVHC BY WEIGHT PER REACH REGULATION		<b>MATERIAL</b> DRAWN: BF, DATE: 02/03/09 CHECKED: WF, DATE: 02/20/20 APPROVED: AK, DATE: 02/24/20		<b>CONFIDENTIAL AND PROPRIETARY INFORMATION</b> THIS DOCUMENT CONTAINS CONFIDENTIAL AND PROPRIETARY INFORMATION OF MTE CORPORATION AND MAY NOT BE USED, COPIED OR DISCLOSED TO OTHERS EXCEPT WITH THE AUTHORIZED WRITTEN PERMISSION OF MTE CORPORATION	
UNLESS OTHERWISE SPECIFIED DIMENSIONS ARE IN INCHES [MM] TOLERANCES ARE: ANGLES: ± 1° 1 PLACE .X: ± .1 [2.5] 2 PLACE .XX: ± .03 [0.76] 3 PLACE .XXX: ± .010 [0.254]		 N83 W13330 Leon Road Menomonee Falls, WI 53051 USA 800.455.4683 262.253.8200		<b>DESCRIPTION</b> LINE REACTOR (83A .29mH)	
		SIZE: D, DWG No.: CD RLW-008303, REV: 05		SCALE: 1:1, SHEET 1 OF 1	