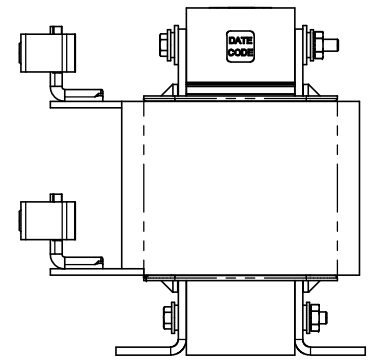
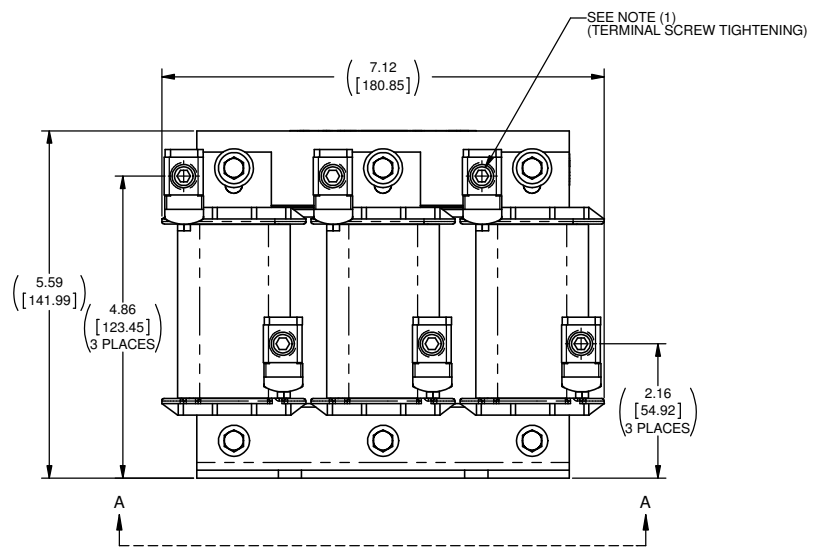
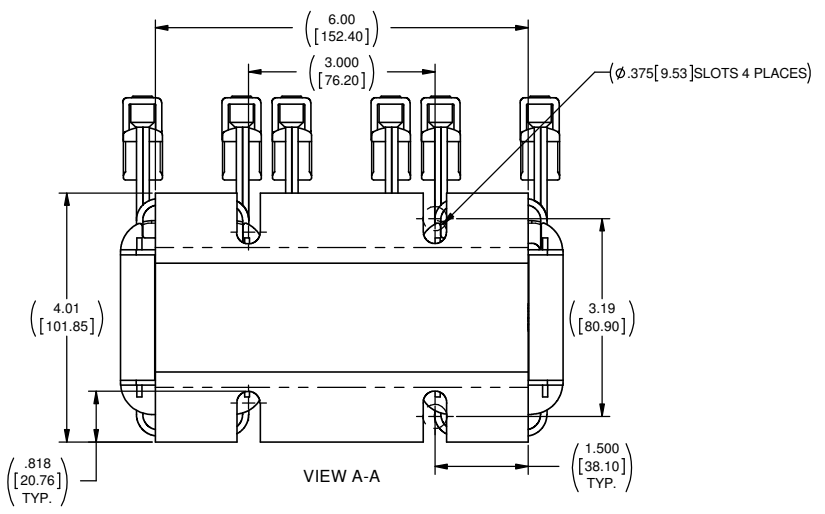
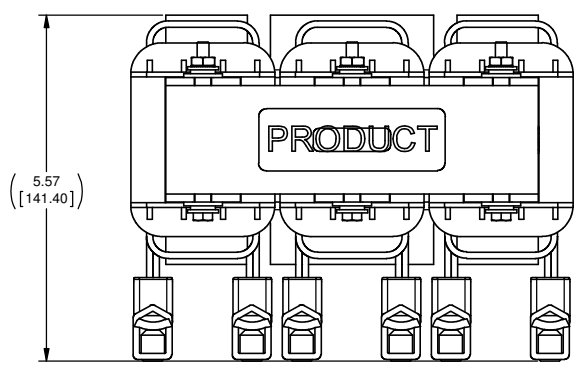


8	7	6	5	4	3	2	1			
WEIGHT (LBS)	INDUCTANCE	LOSS (WATTS)					ECO No.	DESCRIPTION	REV BY	DATE
20	0.47mH	110					M8321	DIMENSION CHANGE	JP	12/17/12



- NOTES:
- TERMINAL SCREW TIGHTENING TORQUE:
 - 6 - 4 (45) in-lbs MAX
 - 2 - 0 (50) in-lbs MAX
 - WIRE RANGE: 6 - 0 AWG

THE COMPONENT PART OR ASSEMBLY DESCRIBED IN THIS DOCUMENT MUST COMPLY WITH THE EUROPEAN UNION DIRECTIVE ROHS CONTAINS <= 0.1% OF ANY SVHC BY WEIGHT PER REACH REGULATION		MATERIAL DRAWN: JP DATE: 09/06/12 CHECKED: TM DATE: 12/21/12 APPROVED: TM DATE: 12/21/12		CONFIDENTIAL AND PROPRIETARY INFORMATION THIS DOCUMENT CONTAINS CONFIDENTIAL AND PROPRIETARY INFORMATION OF MTE CORPORATION AND MAY NOT BE USED, COPIED OR DISCLOSED TO OTHERS EXCEPT WITH THE AUTHORIZED WRITTEN PERMISSION OF MTE CORPORATION	
UNLESS OTHERWISE SPECIFIED DIMENSIONS ARE IN INCHES (MM) TOLERANCES ARE: ANGLES: ± 1 ° 1 PLACE .X: ± .1 [2.5] 2 PLACE .XX: ± .03 [0.76] 3 PLACE .XXX: ± .010 [0.254]		 183 W13330 Loop Road Menomonee Falls, WI 53051 USA 262.455.4683 262.253.8500		DESCRIPTION 3 PHASE REACTOR	
		SIZE: D DWG No.: CD RLV-005503 REV: 04 SCALE: 4:4 SHEET 1 OF 1			